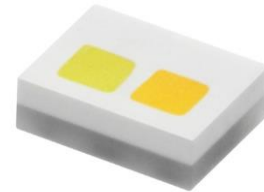


## EL Micro Multi CH1216-C8W80801H-AM



### Features

- Package : SMD ceramic package
- Typical color temperature : Cool White 5180K ~ 6680K ; Warm White 2580K ~ 3200K
- Typical luminous flux : Cool White 25 lm ; Warm White 22lm@ 80mA
- Viewing angle : Cool White 120° and Warm White 120°
- ESD : up to 8KV
- MSL : 2
- Qualifications : According to AEC-Q101
- Compliance with RoHS and REACH
- Compliance Halogen Free. (Br<900ppm,Cl<900ppm,Br+Cl<1500ppm)
- Sulfur robustness

### Applications

- Automotive interior lighting
- Ambient light

# Contents

<b>1.Characteristics.....</b>	<b>3</b>
<b>2.Absolute Maximum Ratings .....</b>	<b>4</b>
<b>3.Characteristics Graph.....</b>	<b>5</b>
<b>4.Binning Information .....</b>	<b>11</b>
<b>5.Part Number .....</b>	<b>18</b>
<b>6.Ordering Information .....</b>	<b>19</b>
<b>7.Mechanical Dimension .....</b>	<b>20</b>
<b>8.Recommended Soldering Pad .....</b>	<b>21</b>
<b>9.Reflow Soldering Profile .....</b>	<b>21</b>
<b>10.Packaging Information.....</b>	<b>22</b>
<b>11.Precaution for Use.....</b>	<b>24</b>

# 1. Characteristics

Parameter		Symbol	Min.	Typ.	Max.	Unit	Condition
Forward Current	CW , WW	$I_F$	10	80	120	mA	---
Luminous Flux <sup>[1][2]</sup>	Cool White	$I_v$	20	25	33	lm	$I_F=80mA$
	Warm White		20	22	33		
Forward Voltage <sup>[3][4]</sup>	Cool White	$V_F$	2.75	3.00	3.50	V	$I_F=80mA$
	Warm White		2.75	3.00	3.50		
Viewing Angle	CW , WW	$\phi$	---	120	---	deg	$I_F=80mA$
Color Temperature	Cool White	K	5180 (53A)	---	6680 (64D)	K	$I_F=80mA$
	Warm White		2580 (27A)	---	3200 (30D)		
Chromaticity coordinates <sup>[5]</sup>	Cool White	x	---	0.322	---	NA	$I_F=80mA$
		y	---	0.336	---		
	Warm White	x	---	0.466	---	NA	$I_F=80mA$
		y	---	0.422	---		
Thermal Resistance (Junction to Solder)	Real	$R_{th JS real}$	---	26	---	K/W	$I_F=80mA$
	Electrical	$R_{th JS el}$	---	18	---		

## Notes:

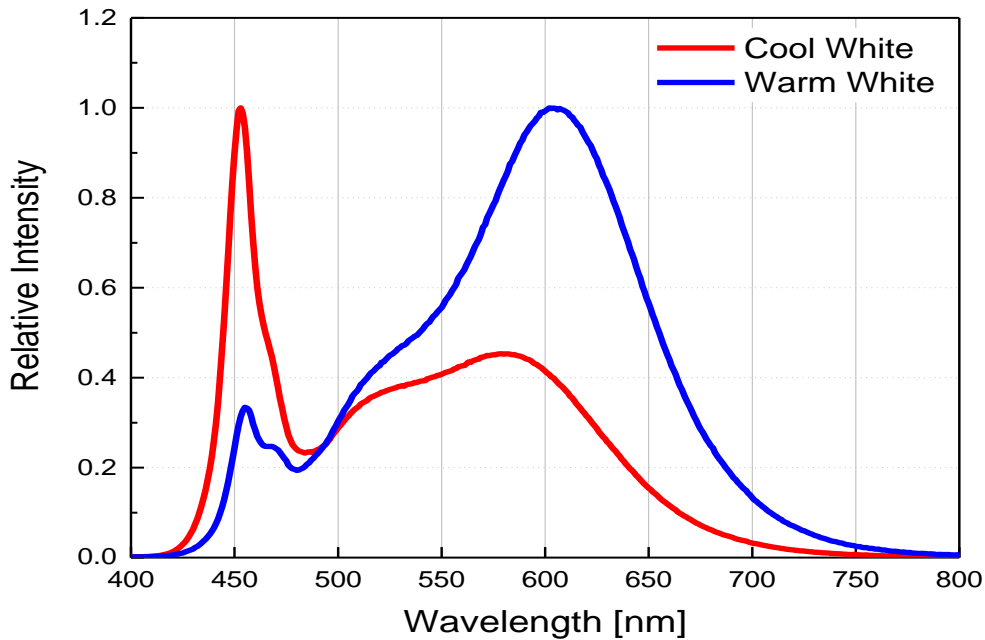
1. Luminous Flux measurement tolerance:  $\pm 8\%$ .
2. The data of Luminous Flux measured at thermal pad=25°C.
3. Forward voltage measurement tolerance:  $\pm 0.05V$ .
4. The  $V_F$  range shown in the table above indicates 99% output.
5. Tolerance of Chromaticity Coordinates x,y :  $\pm 0.005$ .
6. All color CRI > 80.

## 2. Absolute Maximum Ratings

Parameter	Symbol	Ratings		Unit
		Cool White	Warm White	
Power Dissipation	$P_d$	420		mW
Forward Current	$I_F$	120		mA
Surge Current ( $t \leq 10 \mu s$ ; $D = 0.005$ ; $T_s = 25^\circ C$ )	$I_{FM}$	750		mA
Reverse Voltage	$V_R$	Not designed for reverse operation		V
Junction Temperature	$T_J$	150		$^\circ C$
Operating Temperature	$T_{opr}$	-40 ~ +110		$^\circ C$
Storage Temperature	$T_{stg}$	-40 ~ +110		$^\circ C$
ESD Sensitivity ( $R = 1.5k\Omega$ , $C = 100pF$ )	$ESD_{HBM}$	8		kV
Soldering Temperature	Reflow	260 $^\circ C$ for 30sec		$^\circ C$

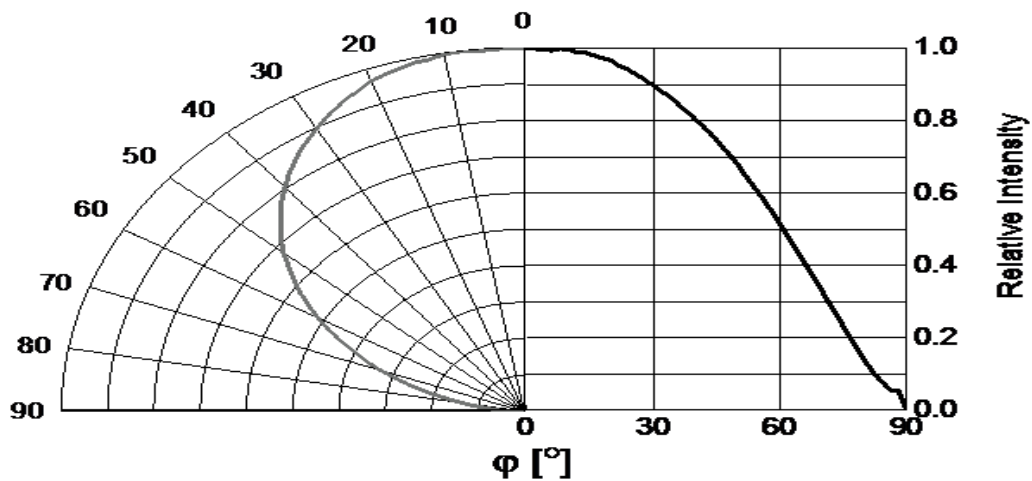
### 3. Characteristics Graph

**Wavelength Characteristics Relative Spectral Distribution**  
@ Ts = 25°C, If=80mA



### Typical Diagram Characteristics of Radiation

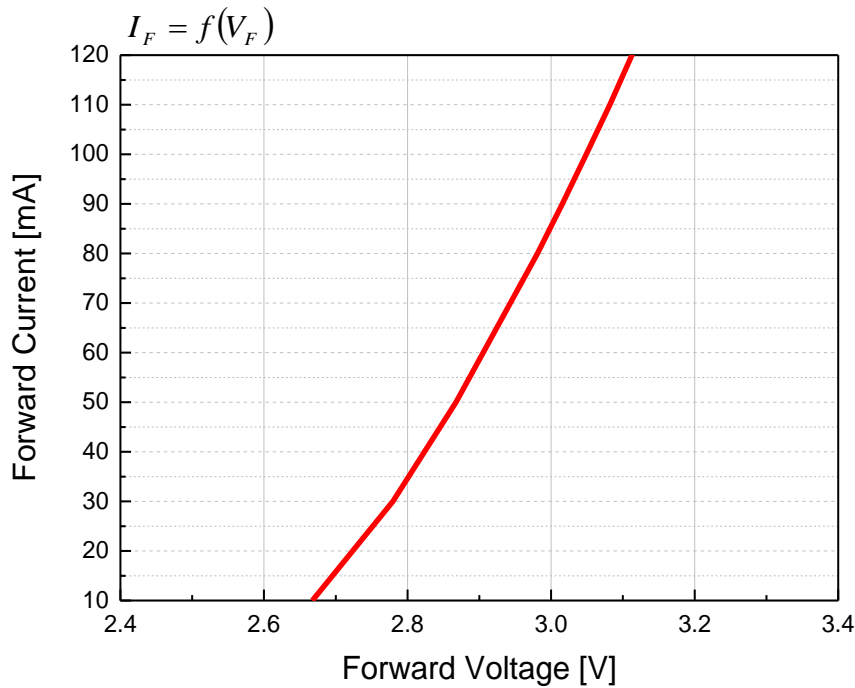
$$\Phi_V / \Phi_V(0^\circ) = f(\varphi)$$



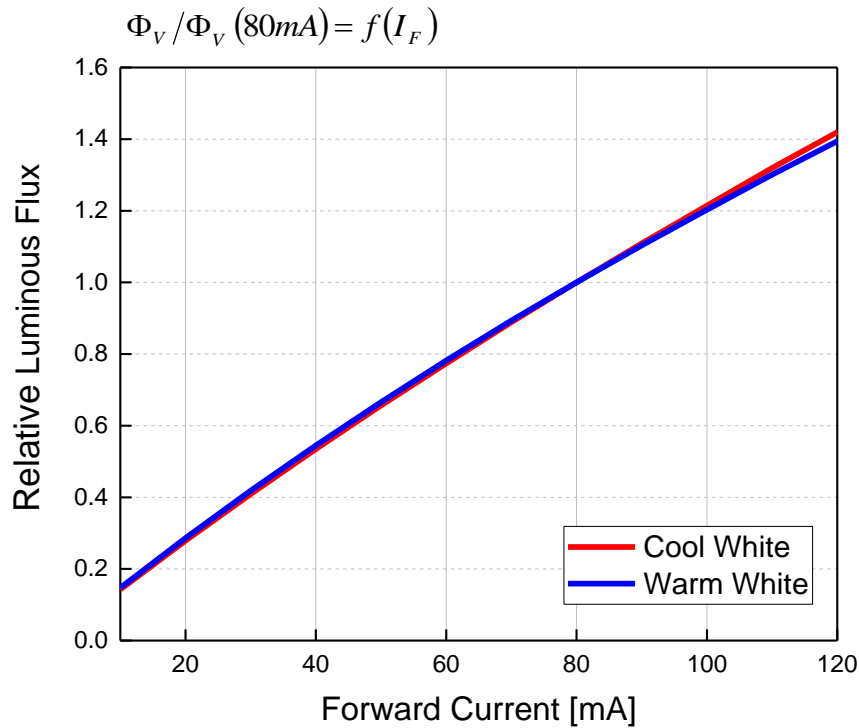
**Notes:**

1.  $\varphi$  is the off axis angle from lamp centerline where the luminous intensity is 1/2 of the peak value.
2. View angle tolerance is  $\pm 5$

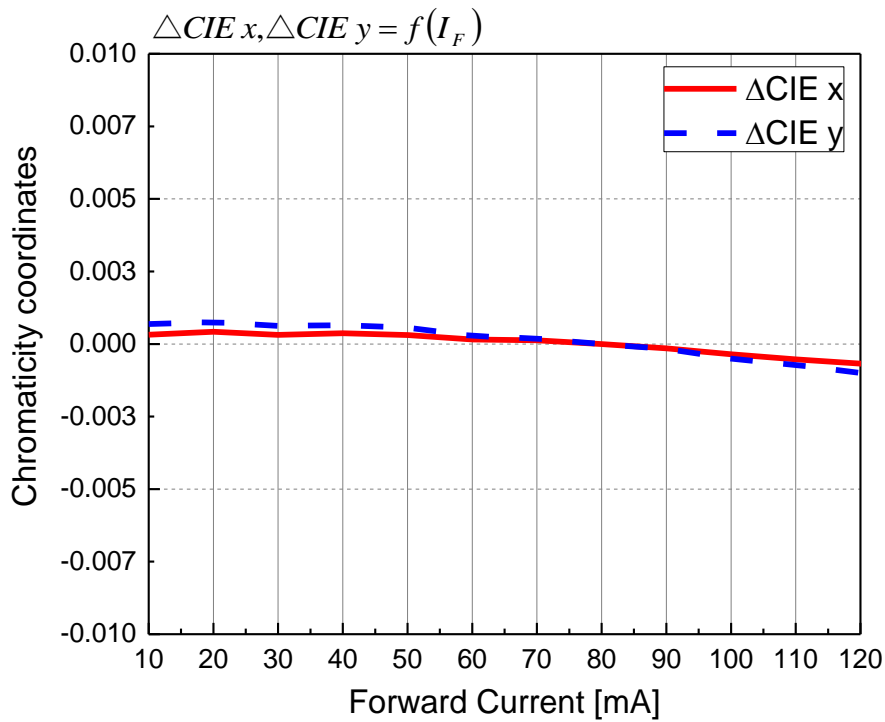
**Forward Current vs. Forward Voltage**  
@ Ts = 25°C



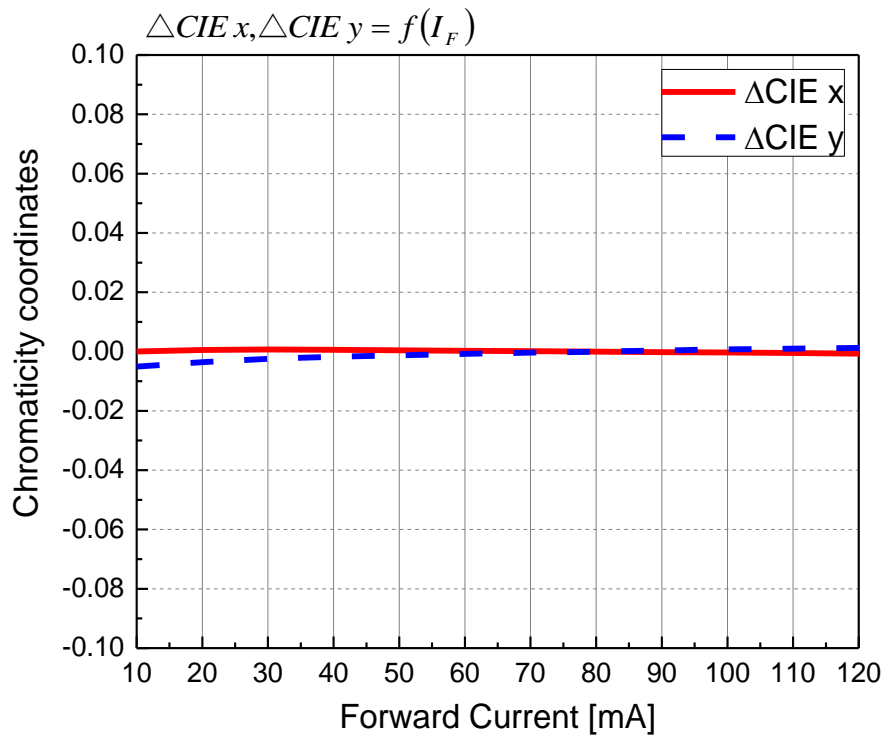
**Relative Luminous Flux vs. Forward Current**  
@ Ts = 25°C



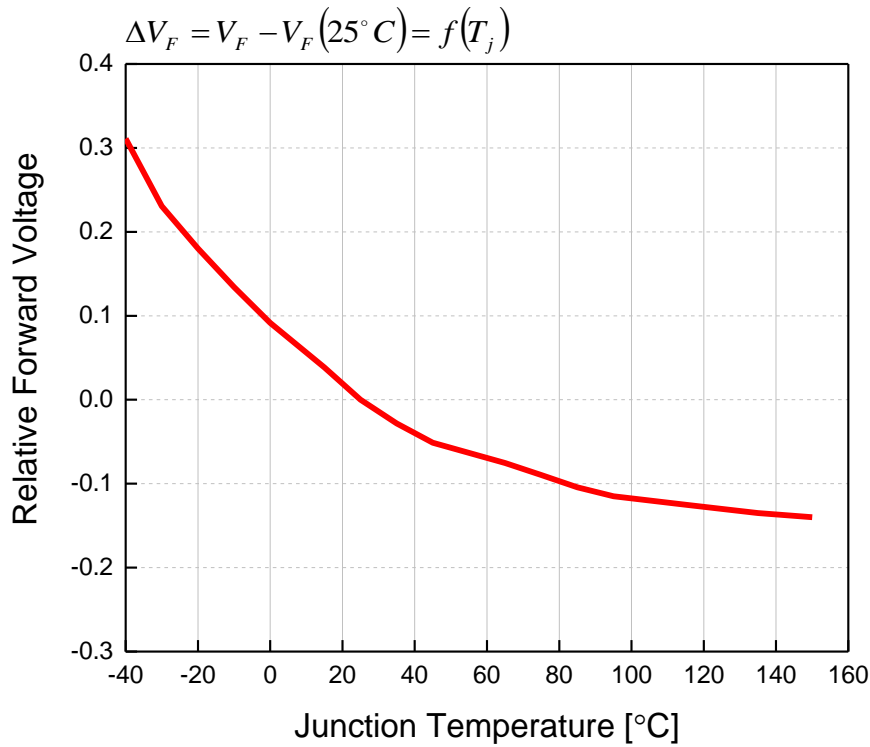
**Chromaticity Coordinates Shift vs. Forward Current  
@ Ts = 25°C (CW)**



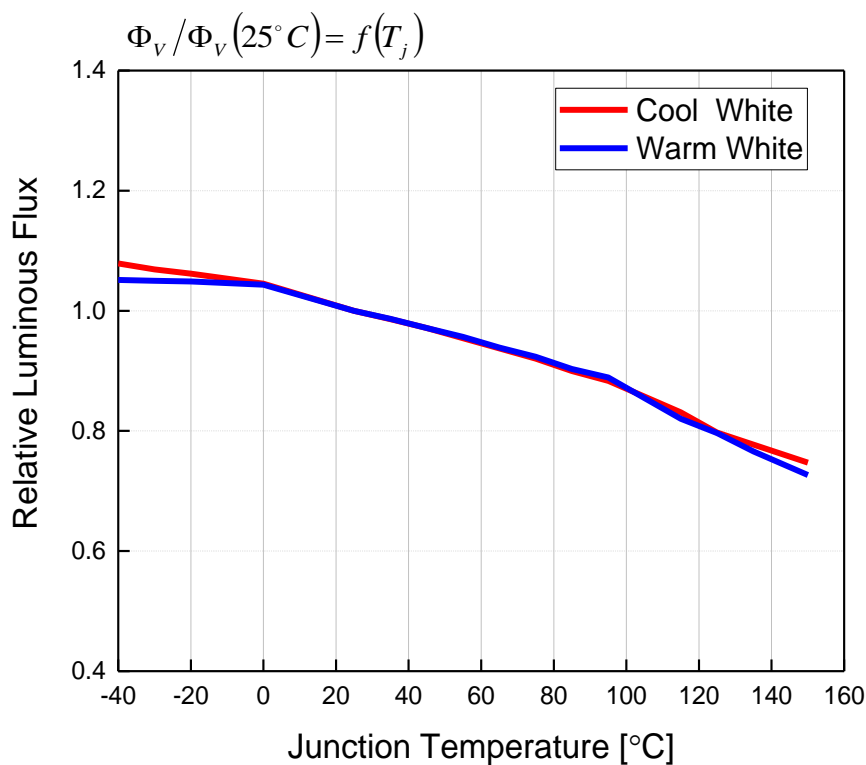
**Chromaticity Coordinates Shift vs. Forward Current  
@ Ts = 25°C (WW)**



**Relative Forward Voltage vs. Junction Temperature**  
@  $I_F=80\text{mA}$

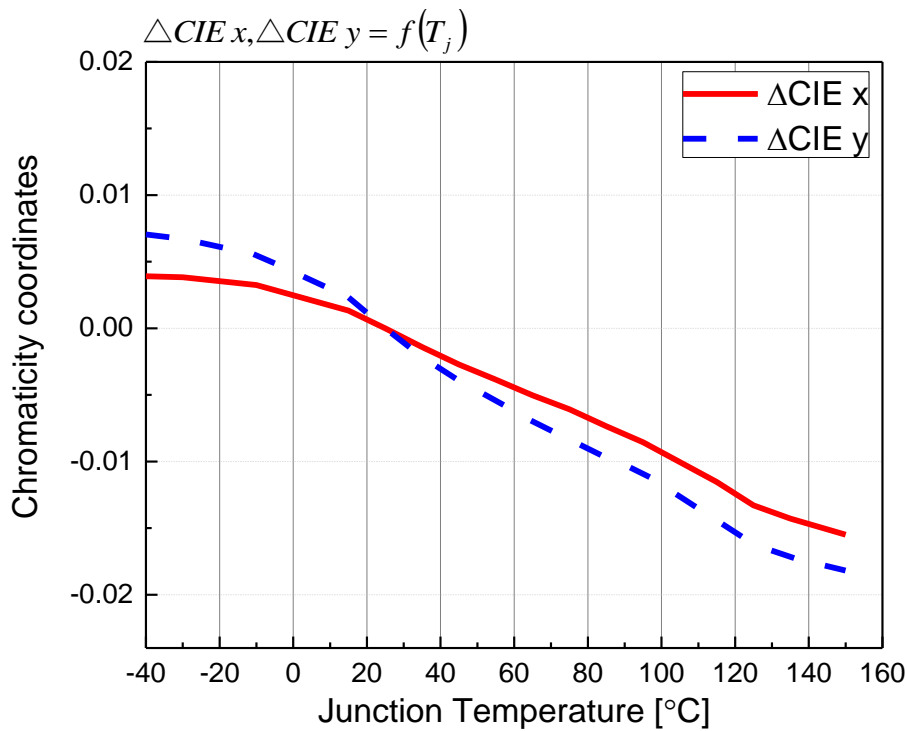


**Relative Luminous Flux vs. Junction Temperature**  
@  $I_F=80\text{mA}$

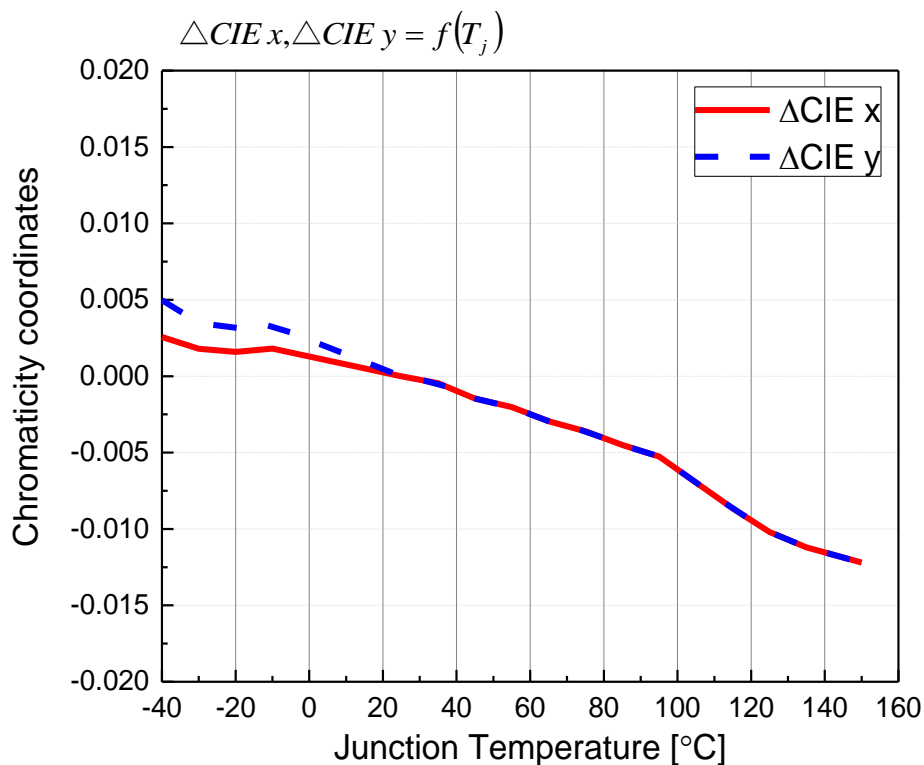




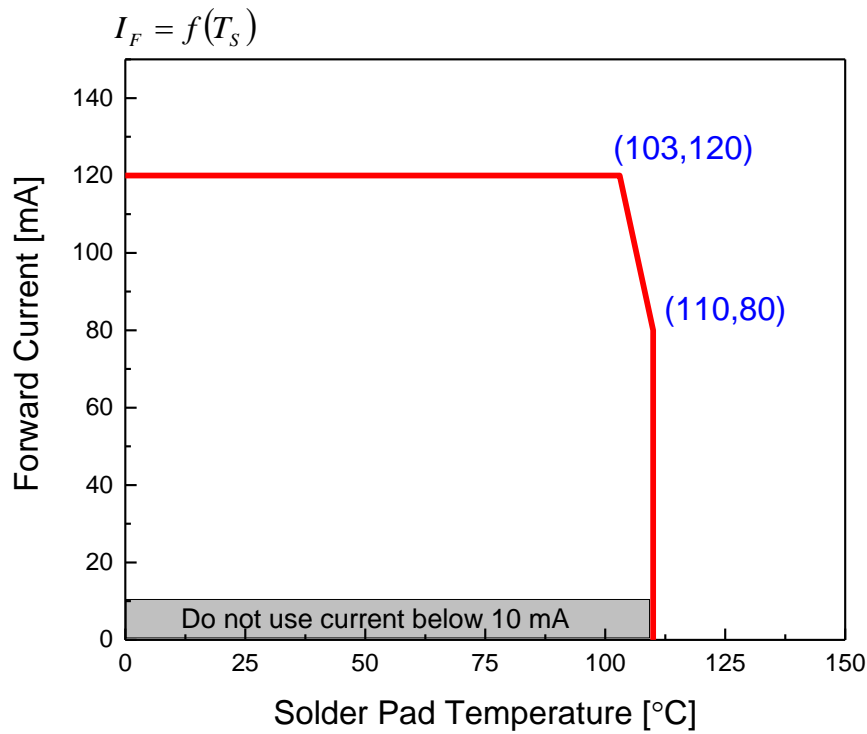
**Chromaticity Coordinates Shift vs. Junction Temperature**  
@  $I_F=80\text{mA}$  (CW)



**Chromaticity Coordinates Shift vs. Junction Temperature**  
@  $I_F=80\text{mA}$  (WW)

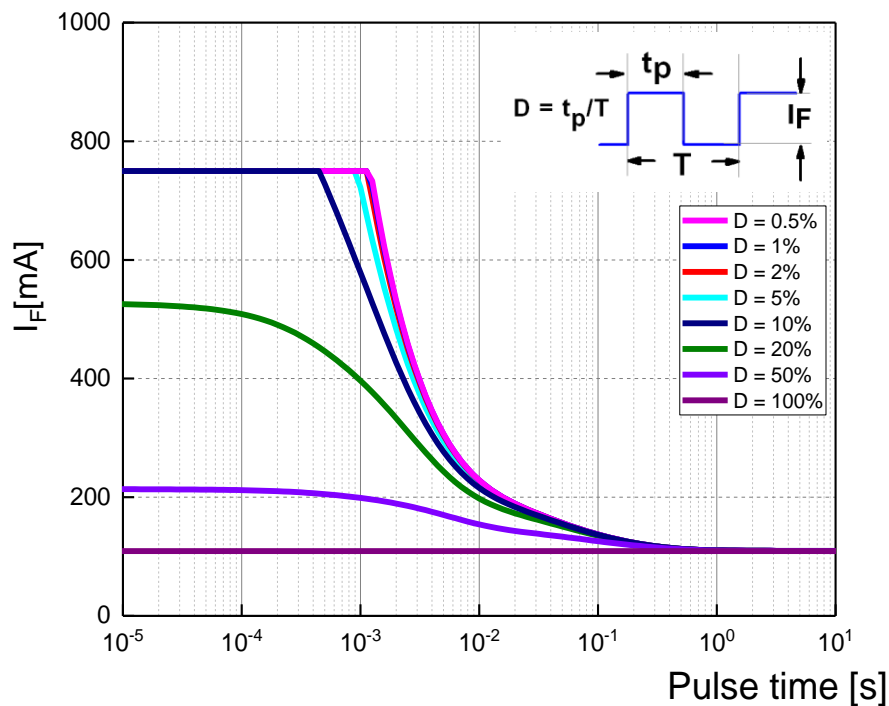


### Forward Current Derating Curve



### Permissible Pulse Handling Capability

D=Duty cycle ,  $T_s = 25C$



## 4. Binning Information

### Luminous Intensity Bins

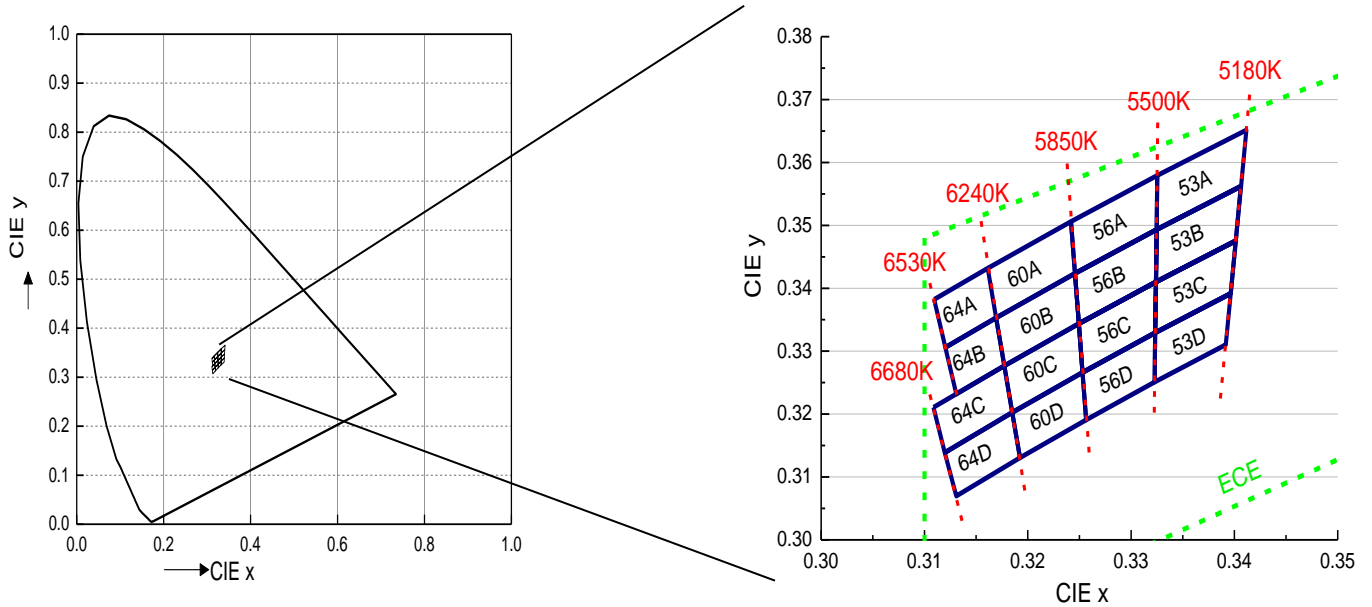
Group	Bin	Minimum Photometric Flux (lm)	Maximum Photometric Flux (lm)
E	1	4	5
	2	5	6
	3	6	8
	4	8	10
	5	10	13
	6	13	17
	7	17	20
	8	20	23
	9	23	27
F	1	27	33
	2	33	39
	3	39	45
	4	45	52
	5	52	60
	6	60	70
	7	70	80
	8	80	90
	9	90	100

Group	Bin	Minimum Photometric Flux (lm)	Maximum Photometric Flux (lm)
J	1	100	110
	2	110	120
	3	120	130
	4	130	140
	5	140	150
	6	150	160
	7	160	180
	8	180	200
	9	200	225
K	1	225	250
	2	250	275
	3	275	300
	4	300	325
	5	325	350
	6	350	375
	7	375	400
	8	400	425
	9	425	450

**Notes:**

1. Luminous flux measurement tolerance:  $\pm 8\%$ .

**Color Bin Structure  
ECE Bin Structure**



**Cool White Bin Coordinates**

Bin	CIE x	CIE y
64A	0.3109	0.3382
	0.3161	0.3432
	0.3169	0.3353
	0.3120	0.3306
Reference Range: 6240~6530K		

Bin	CIE x	CIE y
64B	0.3120	0.3306
	0.3169	0.3353
	0.3177	0.3277
	0.3131	0.3232
Reference Range: 6240~6530K		

Bin	CIE x	CIE y
64C	0.3109	0.3211
	0.3177	0.3277
	0.3185	0.3203
	0.3120	0.3139
Reference Range: 6240~6680K		

Bin	CIE x	CIE y
64D	0.3120	0.3139
	0.3185	0.3203
	0.3192	0.3131
	0.3131	0.3070
Reference Range: 6240~6680K		

Bin	CIE x	CIE y
60A	0.3161	0.3432
	0.3242	0.3506
	0.3246	0.3424
	0.3169	0.3353
Reference Range: 5850~6240K		

Bin	CIE x	CIE y
60B	0.3169	0.3353
	0.3246	0.3424
	0.3249	0.3344
	0.3177	0.3277
Reference Range: 5850~6240K		

### Cool White Bin Coordinates

Bin	CIE x	CIE y
60C	0.3177	0.3277
	0.3249	0.3344
	0.3253	0.3266
	0.3185	0.3203
Reference Range: 5850~6240K		

Bin	CIE x	CIE y
60D	0.3185	0.3203
	0.3253	0.3266
	0.3256	0.3191
	0.3192	0.3131
Reference Range: 5850~6240K		

Bin	CIE x	CIE y
56A	0.3242	0.3506
	0.3325	0.3579
	0.3325	0.3493
	0.3246	0.3424
Reference Range: 5500~5850K		

Bin	CIE x	CIE y
56B	0.3246	0.3424
	0.3325	0.3493
	0.3324	0.3410
	0.3249	0.3344
Reference Range: 5500~5850K		

Bin	CIE x	CIE y
56C	0.3249	0.3344
	0.3324	0.3410
	0.3323	0.3329
	0.3253	0.3266
Reference Range: 5500~5850K		

Bin	CIE x	CIE y
56D	0.3253	0.3266
	0.3323	0.3329
	0.3323	0.3251
	0.3256	0.3191
Reference Range: 5500~5850K		

Bin	CIE x	CIE y
53A	0.3325	0.3579
	0.3412	0.3652
	0.3406	0.3562
	0.3325	0.3493
Reference Range: 5180~5500K		

Bin	CIE x	CIE y
53B	0.3325	0.3493
	0.3406	0.3562
	0.3401	0.3476
	0.3324	0.3410
Reference Range: 5180~5500K		

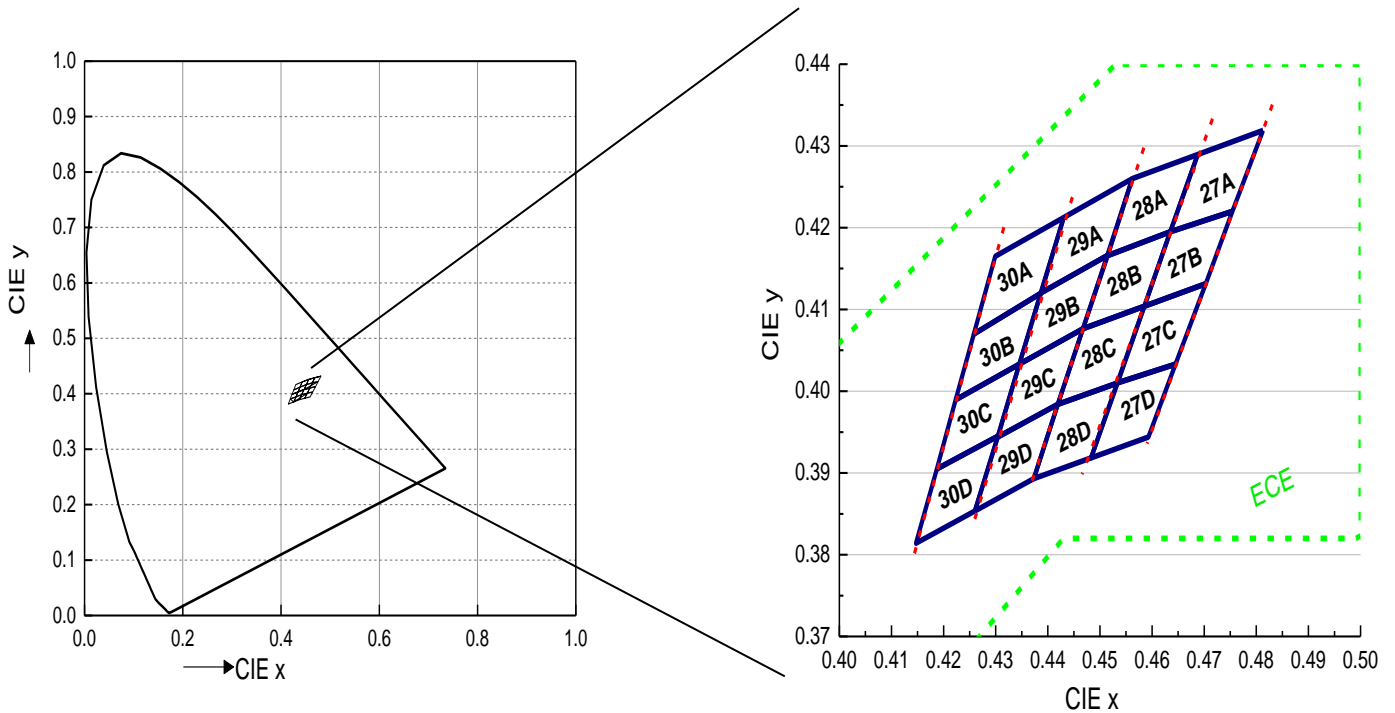
Bin	CIE x	CIE y
53C	0.3324	0.3410
	0.3401	0.3476
	0.3396	0.3392
	0.3323	0.3329
Reference Range: 5180~5500K		

Bin	CIE x	CIE y
53D	0.3323	0.3329
	0.3396	0.3392
	0.3392	0.3310
	0.3323	0.3251
Reference Range: 5180~5500K		

**Notes:**

1. Tolerance of Chromaticity Coordinates x,y :  $\pm 0.005$

**Color Bin Structure  
ANSI Bin Structure**



**Warm-White Bin Coordinates**

Bin	CIE x	CIE y
30A	0.4431	0.4213
	0.4387	0.4120
	0.4258	0.4070
	0.4299	0.4165
Reference Range: 3000~3200K		

Bin	CIE x	CIE y
30B	0.4223	0.3990
	0.4345	0.4033
	0.4387	0.4120
	0.4258	0.4070
Reference Range: 3000~3200K		

Bin	CIE x	CIE y
30C	0.4345	0.4033
	0.4223	0.3990
	0.4187	0.3905
	0.4304	0.3945
Reference Range: 3000~3200K		

Bin	CIE x	CIE y
30D	0.4187	0.3905
	0.4304	0.3945
	0.4260	0.3854
	0.4147	0.3814
Reference Range: 3000~3200K		

**Warm-White Bin Coordinates**

Bin	CIE x	CIE y
29A	0.4562	0.4260
	0.4514	0.4166
	0.4386	0.4120
	0.4431	0.4213
Reference Range: 2860~3000K		

Bin	CIE x	CIE y
29B	0.4345	0.4033
	0.4468	0.4077
	0.4514	0.4166
	0.4386	0.4120
Reference Range: 2860~3000K		

Bin	CIE x	CIE y
29C	0.4468	0.4077
	0.4419	0.3984
	0.4304	0.3944
	0.4345	0.4033
Reference Range: 2860~3000K		

Bin	CIE x	CIE y
29D	0.4260	0.3854
	0.4373	0.3893
	0.4419	0.3984
	0.4304	0.3944
Reference Range: 2860~3000K		

Bin	CIE x	CIE y
28A	0.4688	0.4290
	0.4635	0.4195
	0.4515	0.4166
	0.4562	0.4260
Reference Range: 2700~2860K		

Bin	CIE x	CIE y
28B	0.4468	0.4077
	0.4585	0.4104
	0.4635	0.4195
	0.4515	0.4166
Reference Range: 2700~2860K		

Bin	CIE x	CIE y
28C	0.4585	0.4104
	0.4534	0.4010
	0.4419	0.3984
	0.4468	0.4077
Reference Range: 2700~2860K		

Bin	CIE x	CIE y
28D	0.4534	0.4010
	0.4419	0.3984
	0.4373	0.3893
	0.4483	0.3919
Reference Range: 2700~2860K		

Bin	CIE x	CIE y
27A	0.4813	0.4319
	0.4754	0.4220
	0.4635	0.4195
	0.4688	0.4290
Reference Range: 2580~2700K		

Bin	CIE x	CIE y
27B	0.4754	0.4220
	0.4635	0.4195
	0.4585	0.4104
	0.4703	0.4132
Reference Range: 2580~2700K		

### Warm-White Bin Coordinates

Bin	CIE x	CIE y
27C	0.4585	0.4104
	0.4533	0.4010
	0.4645	0.4033
	0.4703	0.4132
Reference Range: 2580~2700K		

Bin	CIE x	CIE y
27D	0.4533	0.4010
	0.4645	0.4033
	0.4593	0.3944
	0.4483	0.3919
Reference Range: 2580~2700K		

**Notes:**

1. Tolerance of Chromaticity Coordinates x,y :  $\pm 0.005$



### Forward Voltage Bins

Bin	Minimum Forward Voltage [V]	Maximum Forward Voltage [V]
1012	1.00	1.25
1215	1.25	1.75
1517	1.50	1.75
1720	1.75	2.00
2022	2.00	2.25
2225	2.25	2.50
2527	2.50	2.75
2730	2.75	3.00
3032	3.00	3.25
3235	3.25	3.50
3537	3.50	3.75
3740	3.75	4.00
4042	4.00	4.25
4245	4.25	4.50
4547	4.50	4.75
4750	4.75	5.00
5052	5.00	5.25
5255	5.25	5.50
5557	5.50	5.75
5760	5.75	6.00
6062	6.00	6.25
6265	6.25	6.50
6567	6.50	6.75
6770	6.75	7.00

**Notes:**

1. Bin code defines either Minimum or Maximum Value of the Bin.
2. Forward voltage bins are defined at  $I_F = 80\text{mA}$  operation.

## 5. Part Number

### CH1216-C8W80801H-AM

Part number is designated with below details.

CH1216 = Product family name.

C & W = Color <sup>[1]</sup>

8 = CRI ( 0=N/A ; >70%=7 ; >80%=8 ; >90%=9 )

080 = Test current [mA]

1 = Metallic Plating Type ( 0=Ag ; 1=Au ; 2=MLP)

H = Brightness Level ( H=High ; M=Medium ; L=Low)

AM = Automotive Application

Note

[1] Color :

Symbol	Description
C	Cool White
N	Neutral White
W	Warm White
PA	Phosphor Converted Amber
PR	Phosphor Converted Red
UB	Blue
IB	Ice Blue
SB	Sky Blue
UP	Purple
UG	Green
UY	Yellow
UA	Amber
UR	Red
SR	Super Red
RGB	RGB – Color
RGBY	RGBY – Color

## 6. Ordering Information

### CH1216-C8W80801H-ABC-DE-AM

Part Number of the CH1216	Order Code
CH1216-C8W80801H-AM	CH1216-C8W80801H-ABC-DE-AM

Order code contains information with below details :

ABC = Product emits 2 or more colors

DE = Internal code

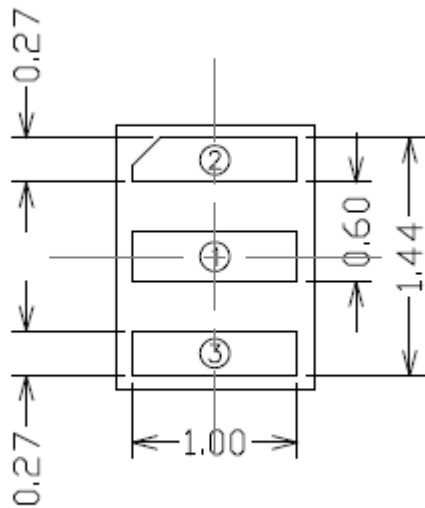
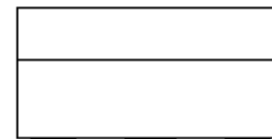
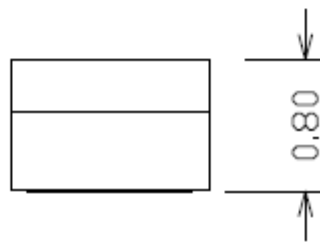
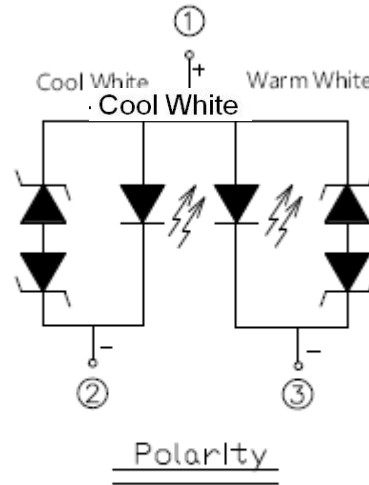
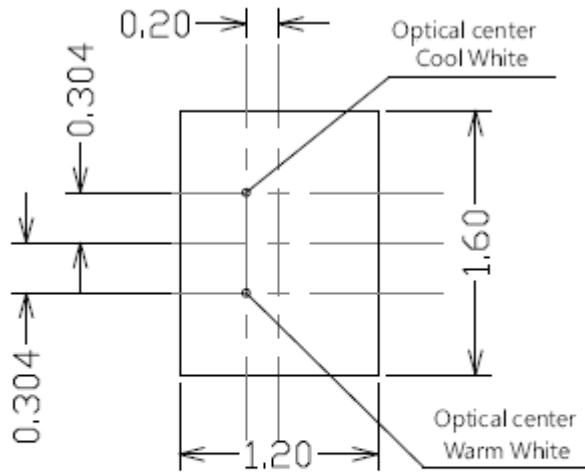
AM = Automotive Application

Note

<sup>[1]</sup> Group Bin chart :

Group Bin	CIE-X Y	$\Phi_v$	$V_F$
A00	53A64D 27A30D	E8E9 E7E8	2735
A01	60C64D 27A28B	E8E9 E7E8	2735
A02	60C64D 28B29C	E8E9 E7E8	2735
A03	60C64D 29C30D	E8E9 E7E8	2735
A04	56B60C 27A28B	E8E9 E7E8	2735
A05	56B60C 28B29C	E8E9 E7E8	2735
A06	56B60C 29C30D	E8E9 E7E8	2735
A07	53A56B 27A28B	E8E9 E7E8	2735
A08	53A56B 28B29C	E8E9 E7E8	2735
A09	53A56B 29C30D	E8E9 E7E8	2735

## 7. Mechanical Dimension



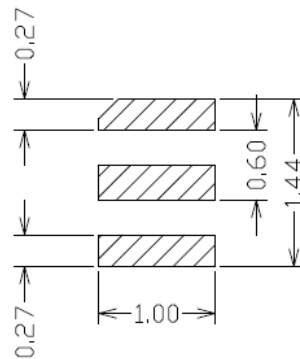
Bot. view

①	Anode
②	Cathode - Cool White
③	Cathode - Warm White

**Notes:**

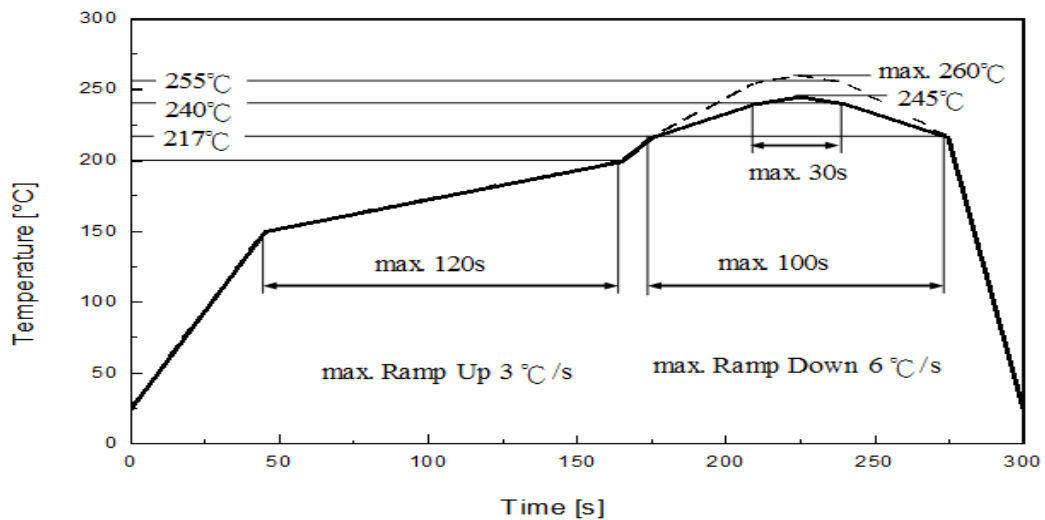
1. Dimensions are in millimeters.
2. Tolerances unless mentioned are  $\pm 0.1\text{mm}$ .

## 8. Recommended Soldering Pad



## 9. Reflow Soldering Profile

Soldering Condition (Reference: IPC/JEDEC J-STD-020D)



Profile Feature	Pb-Free Assembly	Unit Einheit
	Recommendation	
Ramp-up rate to preheat 25 °C to 150 °C	3	°C /sec
Time of soaking zone 150 °C to 200 °C	120	sec
Ramp-up rate to peak	3	°C /sec
Liquidus temperature	217	°C
Time above liquidus temperature	100	sec
Peak temperature (max.)	260	°C
Time within 5 °C of the specified peak temperature	30	sec
Ramp-down Rate (max.)	6	°C /sec

## 10. Packaging Information

### • Product Labeling

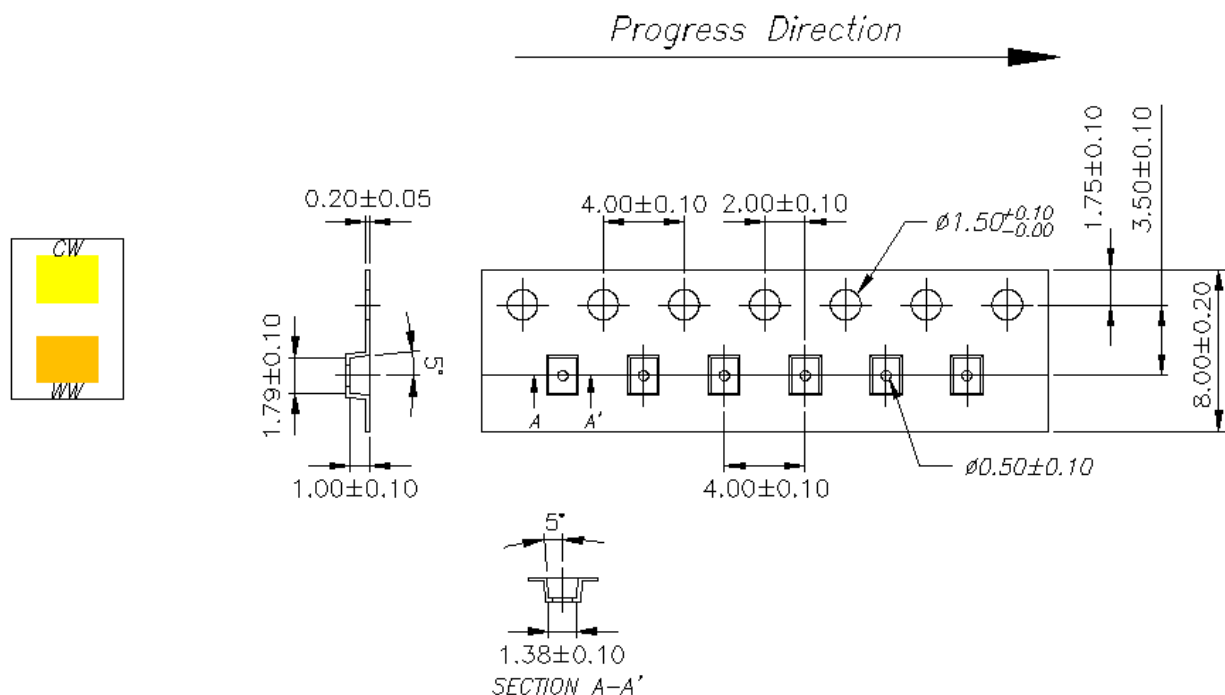
RoHS
Pb
**EVERLIGHT**     5

CPN: XXXXXXXXXXXXXXXXXXXX  
 XXXXXXXXXXX-XXXXXXXXXX-XXXXXXXXXX-XXXXXXXX-XXXXXX  
 P/N: XXXXXXXXXXXX  
 XXXXXXXXXXX-XXXXXXXXXX-XXXXXXXXXX-XXXXXXXX-XXXXXX  
 LOT NO: Y150716XXX-XXXXXXXXXX-XXXXXXXXXX  
 QTY: 0123456789    HUE: XXXXXXXXXXX  
 CAT: XXXXXXXXXXX    REF: XXXXXXXXXXX  
 REFERENCE: BTPYYMDDXXXXX  
 MSL-X                MADE IN XXXXXX



- CPN : Customer's Product Number
- P/N : Everlight Part Number
- QTY : Packing Quantity
- CAT : Luminous Flux (Brightness) Bin
- HUE : Color Bin
- REF : Forward Voltage Bin
- LOT No : Lot Number

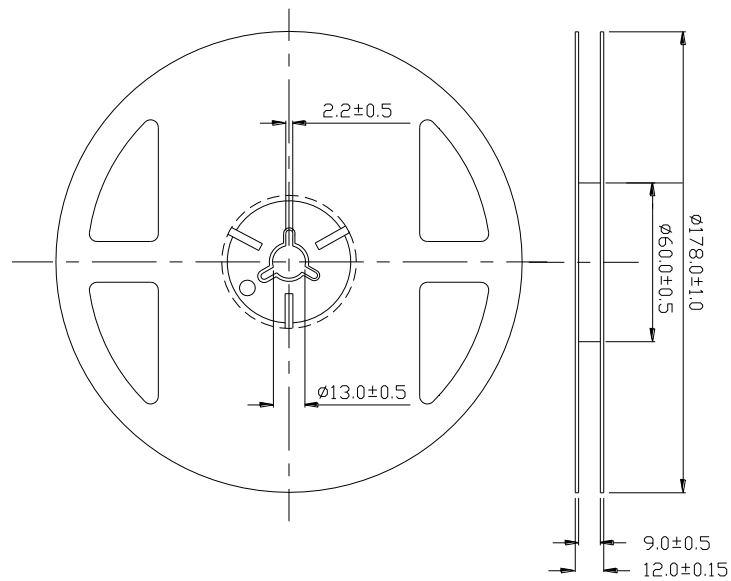
### • Packing: Loaded Quantity 500 pcs Per Reel



#### Notes:

1. Dimensions are in millimeters.

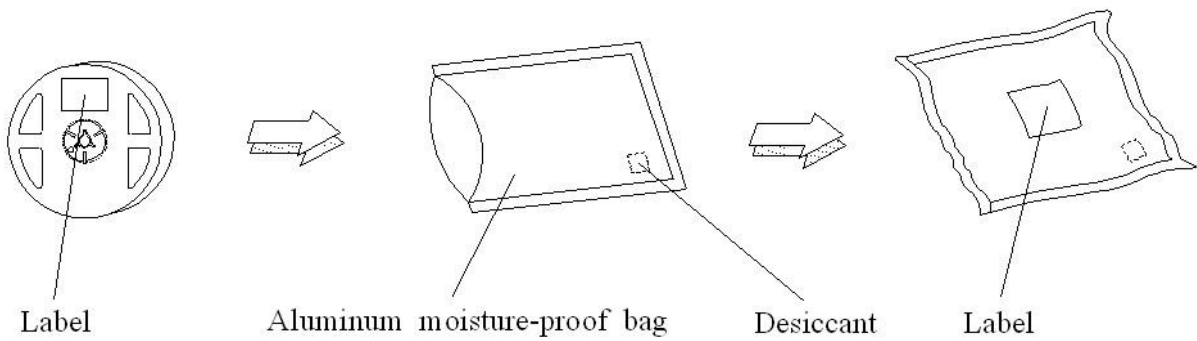
● **Reel Dimensions**



**Notes:**

1. Dimensions are in millimeters.

● **Moisture Resistant Packing Process**



## 11. Precaution for Use

### 1. Over-current-proof

Customer must apply resistors for protection; otherwise slight voltage shift will cause big current change (burn out will happen).

### 2. Assemblies

Do not stack assemblies containing LEDs to prevent damage to the optical surface of LEDs. Forces applied to the optical surface may result in the surface being damaged.

### 3. Soldering Condition

3.1 When soldering, do not put stress on the LEDs during heating.

3.2 After soldering, do not warp the circuit board.

### 4. Soldering Iron

Each terminal is to go to the tip of soldering iron temperature less than 350°C for 3 seconds within once in less than the soldering iron capacity 25W. Leave two seconds and more intervals, and do soldering of each terminal. Be careful because the damage of the product is often started at the time of the hand solder.

### 5. Repairing

Repair should not be done after the LEDs have been soldered. When repairing is unavoidable, a double-head soldering iron should be used (as below figure). It should be confirmed beforehand whether the characteristics of the LEDs will or will not be damaged by repairing.



单击下面可查看定价，库存，交付和生命周期等信息

[>>Everlight \(亿光\)](#)