

### Top view LEDs 67-22/R6G6C-B09/2T



#### Features

- . P-LCC-4 package
- . Optical indicator
- . Colorless clear window
- . Ideal for backlight and light pipe application
- . Inter reflector
- . Wide viewing angle
- . Suitable for vapor-phase reflow.
- . Computable with automatic placement equipment
- . Available on tape and reel (8mm Tape)
- . Pb-free
- . The product itself will remain within RoHS compliant version

#### Applications

- . Telecommunication: indicator and backlighting in telephone and fax
- . Flat backlight for LCD's, switches and symbols
- . Light pipe application
- . General use

## Device Selection Guide

Chip Materials		Emitted Color	Resin Color
R6	AlGaInP	Brilliant-Red	Water clear
G6	AlGaInP	Brilliant Yellow Green	Water clear

## Absolute Maximum Ratings (Ta=25°C)

Parameter	Symbol	Rating	Unit
Reverse Voltage	$V_R$	5	V
Forward Current	$I_F$	R6 25	mA
		G6 25	
Peak Forward Current	$I_{FP}$	R6 60	mA
		G6 60	
Power Dissipation	$P_d$	R6 60	mW
		G6 60	
Operating Temperature	$T_{opr}$	-40 ~ +85	°C
Storage Temperature	$T_{stg}$	-40 ~ +90	°C
Thermal Resistance	$R_{th\ J-A}$	500	K/W
	$R_{th\ J-S}$	300	K/W
ESD (Classification acc. AEC Q101)	$ESD_{HBM}$	2000	V
	$ESD_{MM}$	200	V
Soldering Temperature	$T_{sol}$	Reflow Soldering : 260 °C for 10 sec. Hand Soldering : 350 °C for 3 sec.	

**Electro-Optical Characteristics (Ta=25°C)**

Parameter	Symbol	Min.	Typ.	Max.	Unit	Condition	
Luminous Intensity	I <sub>v</sub>	R6	57	-----	140	mcd	I <sub>F</sub> =20mA
		G6	36	-----	90	mcd	
Viewing Angle	2θ 1/2	-----	130	-----	deg	I <sub>F</sub> =20mA	
Peak Wavelength	λ <sub>p</sub>	R6	-----	632	-----	nm	I <sub>F</sub> =20Ma
		G6	-----	575	-----		
Dominant Wavelength	λ <sub>d</sub>	R6	621	-----	627	nm	I <sub>F</sub> =20mA
		G6	570	-----	574		
Spectrum Radiation Bandwidth	Δλ	R6	-----	20	-----	nm	I <sub>F</sub> =20mA
		G6	-----	20	-----		
Forward Voltage	V <sub>F</sub>	R6	1.75	-----	2.35	V	I <sub>F</sub> =20mA
		G6	1.75	-----	2.35		
Reverse Current	I <sub>R</sub>	-----	-----	10	μA	V <sub>R</sub> =5V	

Note:

1. Tolerance of Luminous Intensity: ±11%
2. Tolerance of Dominant Wavelength: ±1nm
3. Tolerance of Forward Voltage: ±0.1V

**Bin Range of Luminous Intensity**

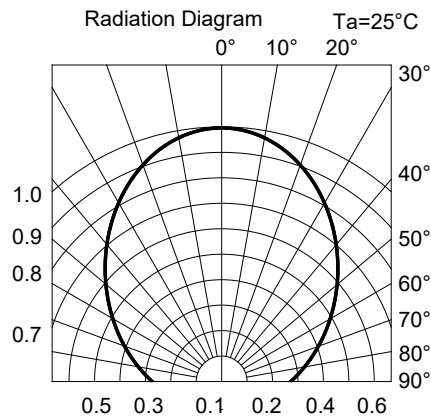
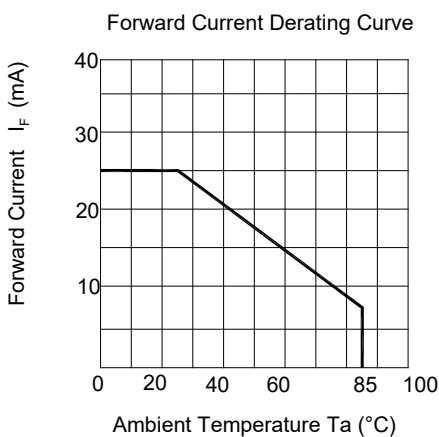
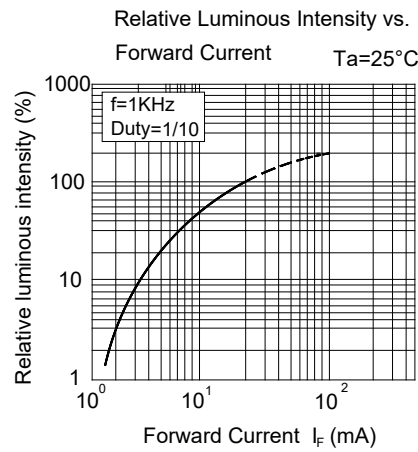
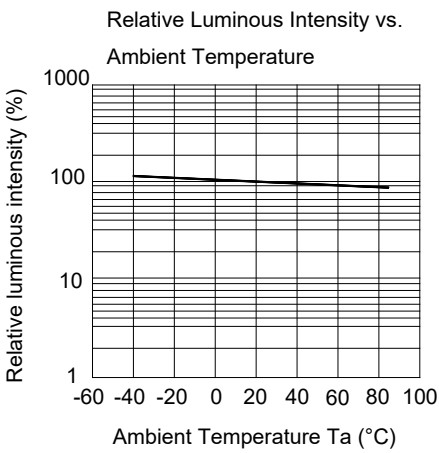
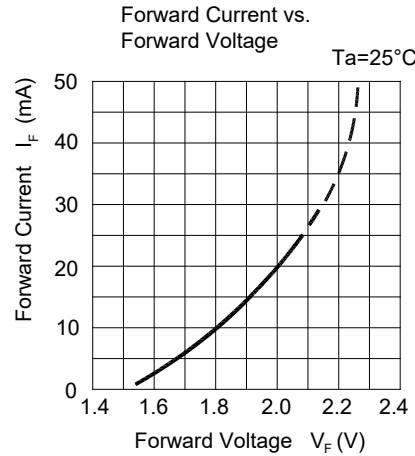
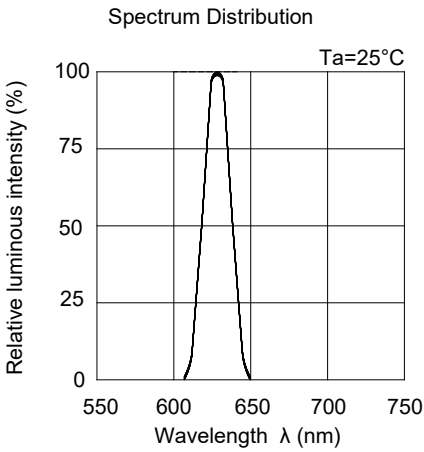
Chip	Bin Code	Min.	Max.	Unit	Condition
R6	P2	57	72	mcd	I <sub>F</sub> =20mA
	Q1	72	90		
	Q2	90	112		
	R1	112	140		
G6	N2	36	45		
	P1	45	57		
	P2	57	72		
	Q1	72	90		

**Bin Range of Forward Voltage**

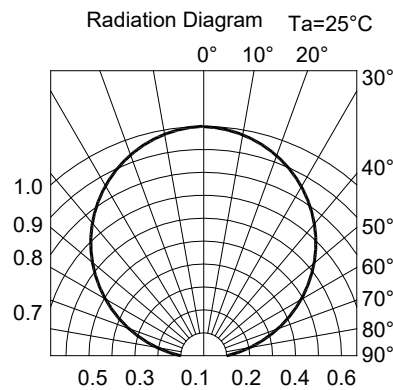
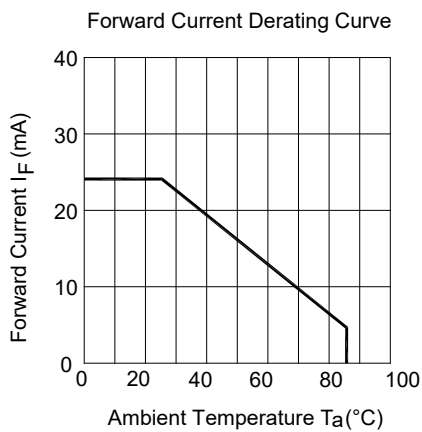
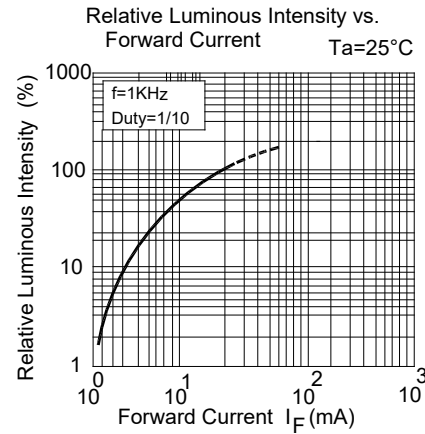
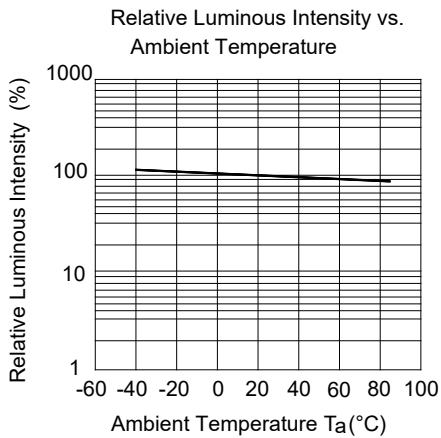
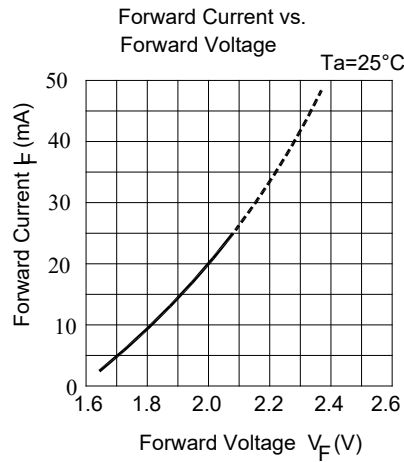
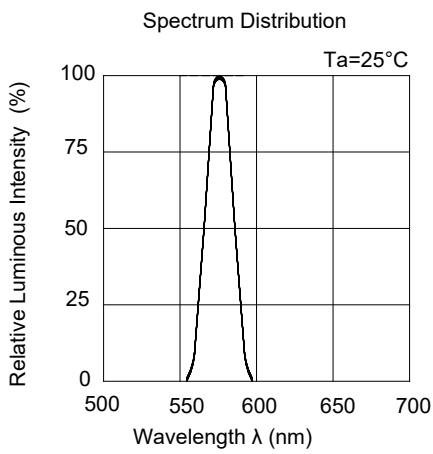
Chip	Bin Code	Min.	Max.	Unit	Condition
R6	0	1.75	1.95	V	I <sub>F</sub> =20mA
	1	1.95	2.15		
	2	2.15	2.35		
G6	0	1.75	1.95		
	1	1.95	2.15		
	2	2.15	2.35		

Note:  
 Tolerance of Dominant Wavelength: ±1nm

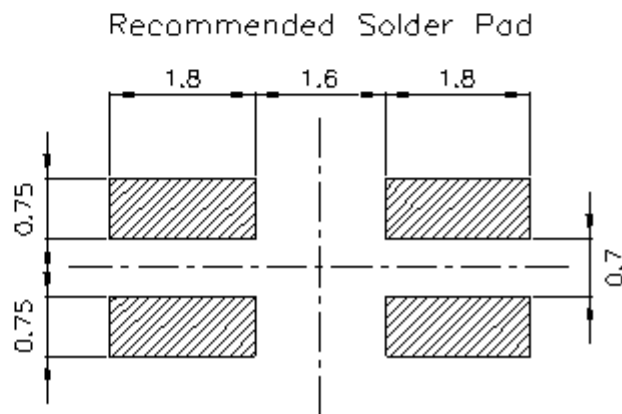
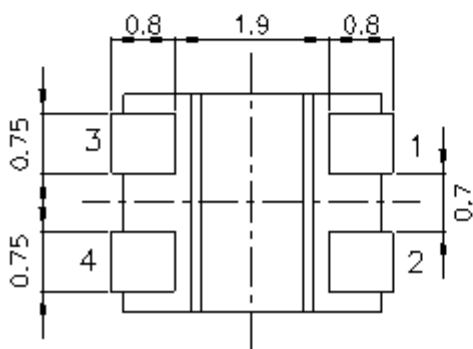
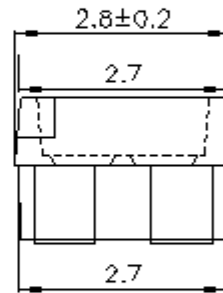
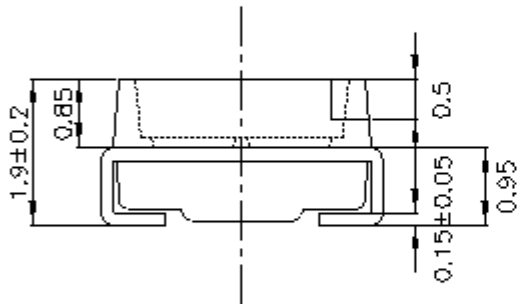
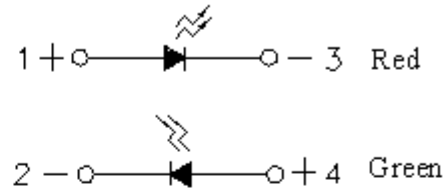
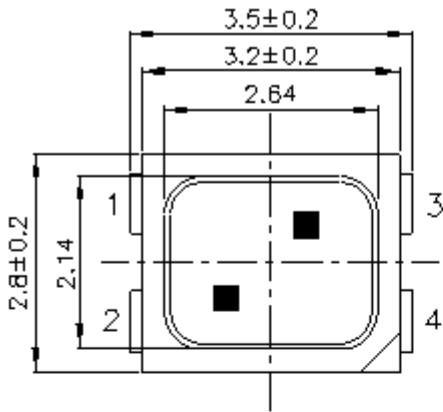
### Typical Electro-Optical Characteristics Curves(R6)



## Typical Electro-Optical Characteristics Curves(G6)



Package Dimension



Note: Tolerances unless mentioned  $\pm 0.1$ mm. Unit = mm

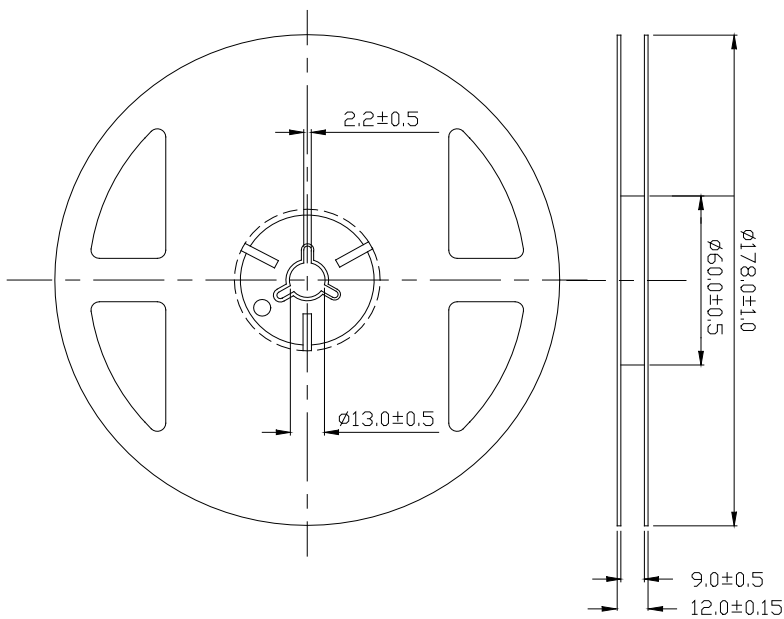
## Moisture Resistant Packing Materials

### Label Explanation



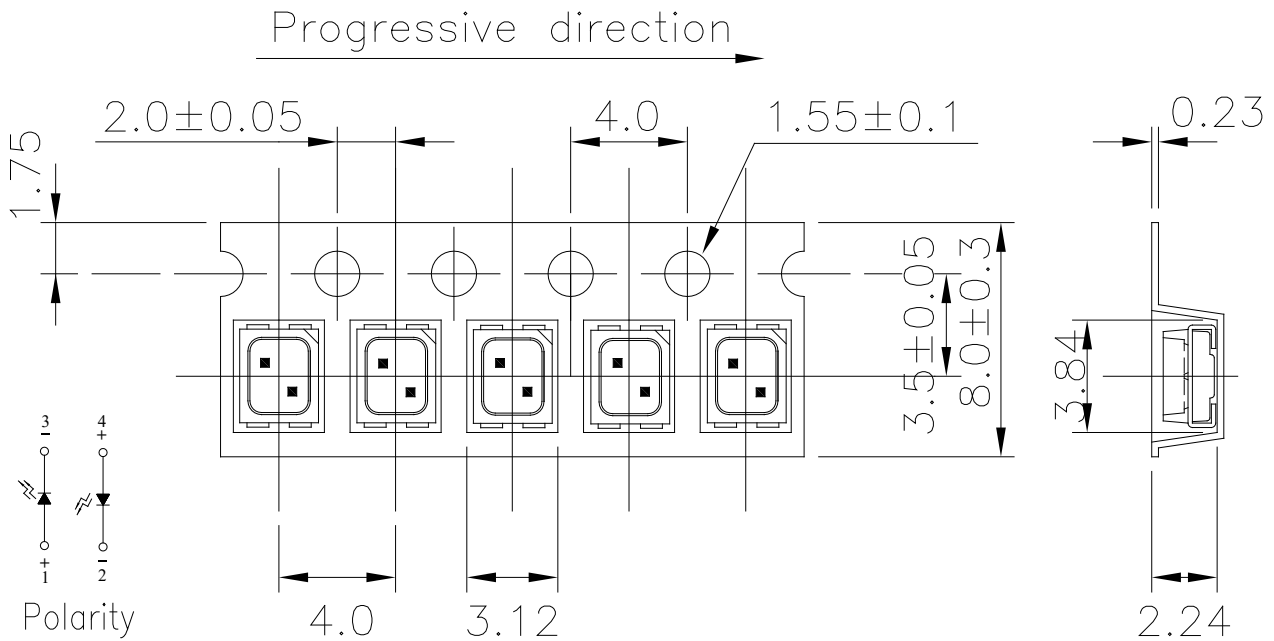
- CPN: Customer's Product Number
- P/N: Product Number
- QTY: Packing Quantity
- CAT: Luminous Intensity Rank
- HUE: Dom. Wavelength Rank
- REF: Forward Voltage Rank
- LOT No: Lot Number

### Reel Dimensions



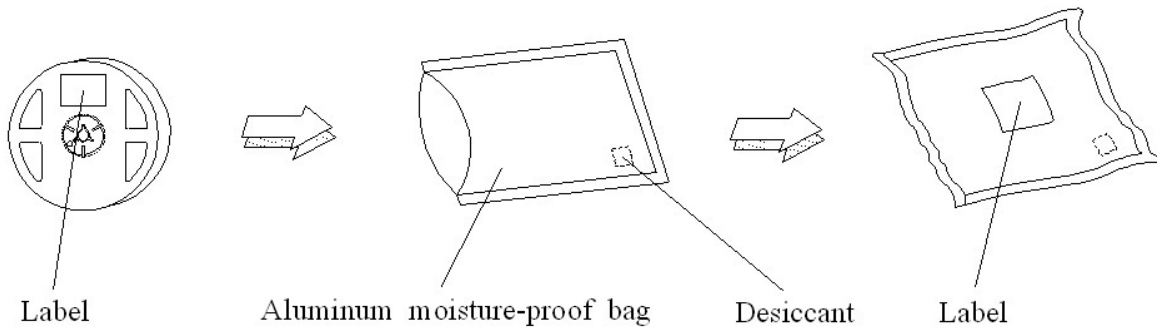


Carrier Tape Dimensions: Loaded Quantity 2000 pcs Per Reel



Note: Tolerances unless mentioned  $\pm 0.1$ mm. Unit = mm

Moisture Resistant Packing Process



Note: Tolerances unless mentioned  $\pm 0.1$ mm. Unit = mm

## Precautions for Use

### 1. Over-current-proof

Customer must apply resistors for protection , otherwise slight voltage shift will cause big current change ( Burn out will happen ).

### 2. Storage

2.1 Do not open moisture proof bag before the products are ready to use.

2.2 Before opening the package, the LEDs should be kept at 30°C or less and 90%RH or less.

2.3 After opening the package: The LED's floor life are 168 hours under 30°C or less and 60% RH or less.

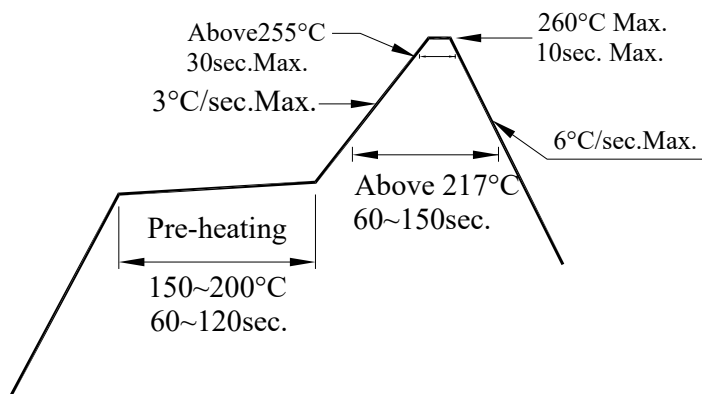
If unused LEDs remain, it should be stored in moisture proof packages.

2.4 If the moisture absorbent material (silica gel) has faded away or the LEDs have exceeded the storage time, baking treatment should be performed using the following conditions.

Baking treatment : 60±5°C for 24 hours.

### 3. Soldering Condition

#### 3.1 Pb-free solder temperature profile



3.2 Reflow soldering should not be done more than two times.

3.3 When soldering, do not put stress on the LEDs during heating.

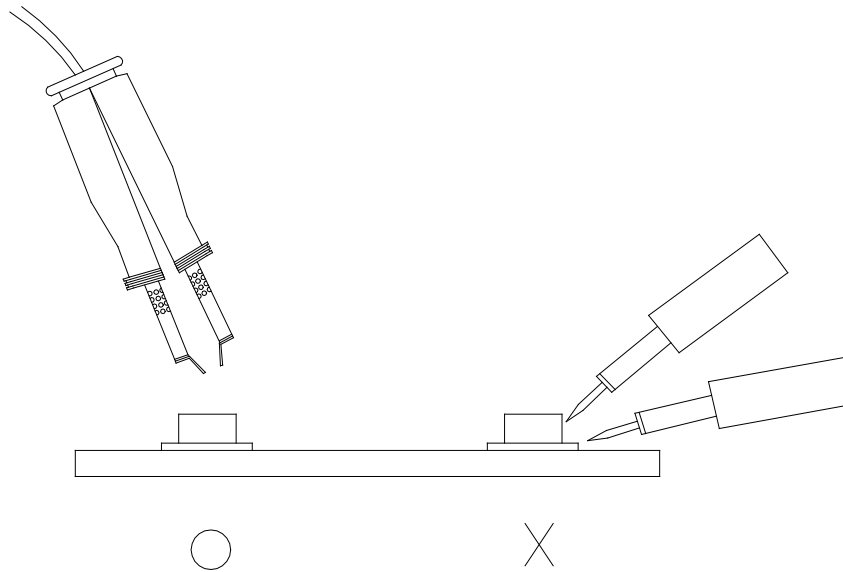
3.4 After soldering, do not warp the circuit board.

### 4. Soldering Iron

Each terminal is to go to the tip of soldering iron temperature less than 350°C for 3 seconds within once in less than the soldering iron capacity 25W. Leave two seconds and more intervals, and do soldering of each terminal. Be careful because the damage of the product is often started at the time of the hand solder.

### 5. Repairing

Repair should not be done after the LEDs have been soldered. When repairing is unavoidable, a double-head soldering iron should be used (as below figure). It should be confirmed beforehand whether the characteristics of the LEDs will or will not be damaged by repairing.



## DISCLAIMER

1. EVERLIGHT reserves the right(s) on the adjustment of product material mix for the specification.
2. The product meets EVERLIGHT published specification for a period of twelve (12) months from date of shipment.
3. The graphs shown in this datasheet are representing typical data only and do not show guaranteed values.
4. When using this product, please observe the absolute maximum ratings and the instructions for using outlined in these specification sheets. EVERLIGHT assumes no responsibility for any damage resulting from the use of the product which does not comply with the absolute maximum ratings and the instructions included in these specification sheets.
5. These specification sheets include materials protected under copyright of EVERLIGHT. Reproduction in any form is prohibited without obtaining EVERLIGHT's prior consent.
6. This product is not intended to be used for military, aircraft, automotive, medical, life sustaining or life saving applications or any other application which can result in human injury or death. Please contact authorized Everlight sales agent for special application request.

单击下面可查看定价，库存，交付和生命周期等信息

[>>Everlight \(亿光\)](#)