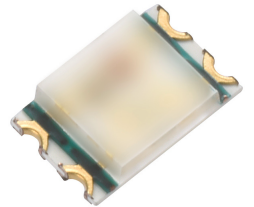


Technical Data Sheet SMD B IRRG25-16C/L491/TR8

Features

- Low forward voltage
- Good spectral matching to Si photo detector
- Pb free
- The product itself will remain within RoHS compliant version.
- Compliance with EU REACH.
- Compliance Halogen Free .(Br <900 ppm ,Cl <900 ppm , Br+Cl < 1500 ppm)



Description

- IRRG25-16C/L491/TR8 is an infrared emitting diode and red emitting diode and Green emitting in miniature top view flat SMD package and it is molded in a water clear plastic. The device is spectrally matched with silicon photodiode and phototransistor.

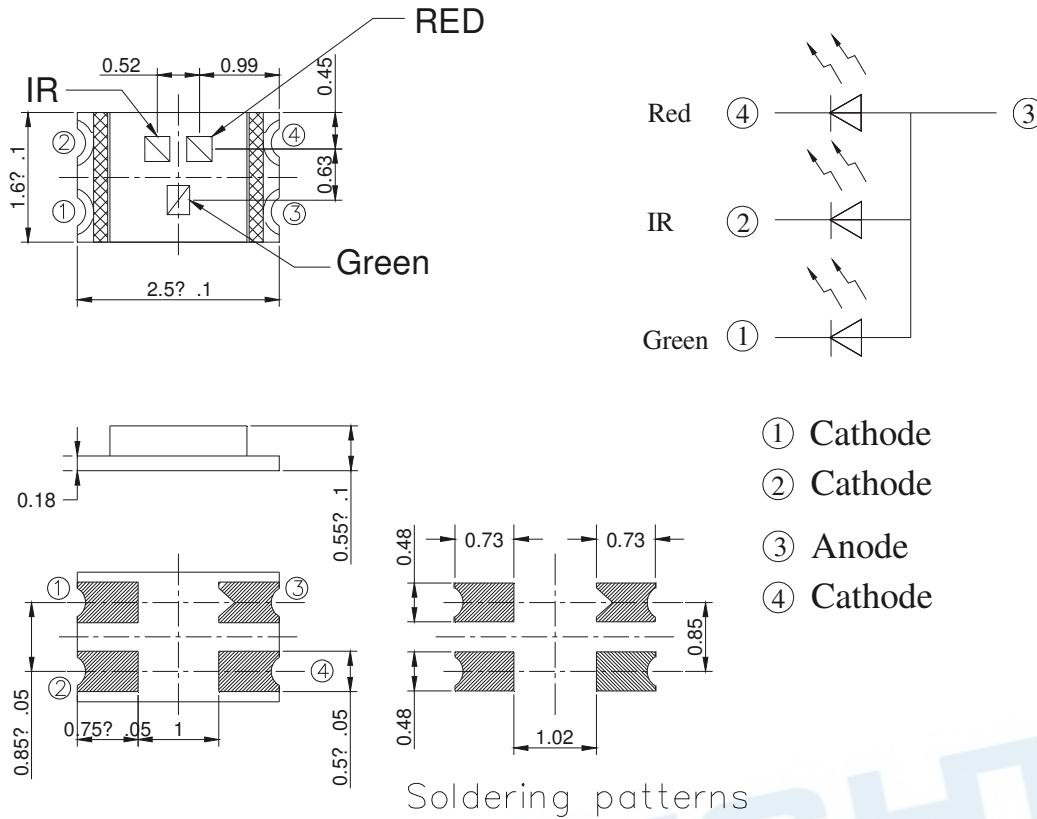
Applications

- Infrared applied system

Device Selection Guide

Device No.	Chip Material	Lens Color
IR	GaAlAs	Water clear
Red	AlGaInP	Water clear
Green	InGaN	Water clear

Package Dimensions



Suggested pad dimension is just reference only.
Please modify the pad dimension based on individual need.

- Notes: 1.All dimensions are in millimeters
- 2.Tolerances unless dimensions $\pm 0.1\text{mm}$

Absolute Maximum Ratings (Ta=25°C)

Parameter	Symbol	Rating	Unit
Continuous Forward Current (IR)	I_F	50	mA
Continuous Forward Current (Red)	I_F	25	mA
Continuous Forward Current (Green)	I_F	20	mA
Reverse Voltage	V_R	5	V
Operating Temperature	T_{opr}	-40 ~ +85	°C
Storage Temperature	T_{stg}	-40 ~ +100	°C
Soldering Temperature *1	T_{sol}	260	°C
Power Dissipation at(or below) (IR)	P_c	100	mW
Power Dissipation at(or below) (Red)	P_c	75	mW
Power Dissipation at(or below) (Green)	P_c	80	mW

Notes: *1:Soldering time ≤ 5 seconds.

Electro-Optical Characteristics (Ta=25°C)

Parameter	Symbol	Min.	Typ.	Max.	Unit	Condition
Radiant Intensity(IR)	I _e	1.5	--	--	mW /sr	I _F =20mA
Radiant Intensity(Red)		150	--	--	mcd	
Luminous Intensity (Green)		1200	--	--		
Peak Wavelength(IR)	λ _p	--	940	--	nm	I _F =20mA
Peak Wavelength(Red)		--	660	--		
Peak Wavelength(Green)		--	525	--		
Spectral Bandwidth(IR)	Δ λ	--	30	--	nm	I _F =20mA
Spectral Bandwidth(Red)		--	30	--		
Spectral Bandwidth(Green)		--	35	--		
Forward Voltage(IR)	V _F	--	1.3	1.8	V	I _F =20mA
Forward Voltage(Red)		--	1.9	2.5		
Forward Voltage(Green)		2.4	3.0	3.5		
		--	--	3.9		I _F =100mA 1/10 Duty@1KHz
Reverse Current(IR)	I _R	--	--	10	μ A	V _R =5V
Reverse Current(Red)		--	--	10		
Reverse Current(Green)		--	--	10		
View Angle	2θ _{1/2}	--	120	--	deg	I _F =20mA

G - Bin Range of Luminous Flux

Bin Code	Min.	Max.	Unit	Condition
A	1200	1400	mcd	$I_F = 20\text{mA}$
B	1400	1600		
C	1600	1800		
D	1800	2000		

Tolerance of Luminous flux: $\pm 10\%$.

G - Bin Range of Forward Voltage

Bin Code	Min.	Max.	Unit	Condition
V1	2.4	2.5	V	$I_F = 20\text{mA}$
V2	2.5	2.6		
V3	2.6	2.7		
V4	2.7	2.8		
V5	2.8	2.9		
V6	2.9	3.0		
V7	3.0	3.1		
V8	3.1	3.2		
V9	3.2	3.3		
V10	3.3	3.4		
V11	3.4	3.5		

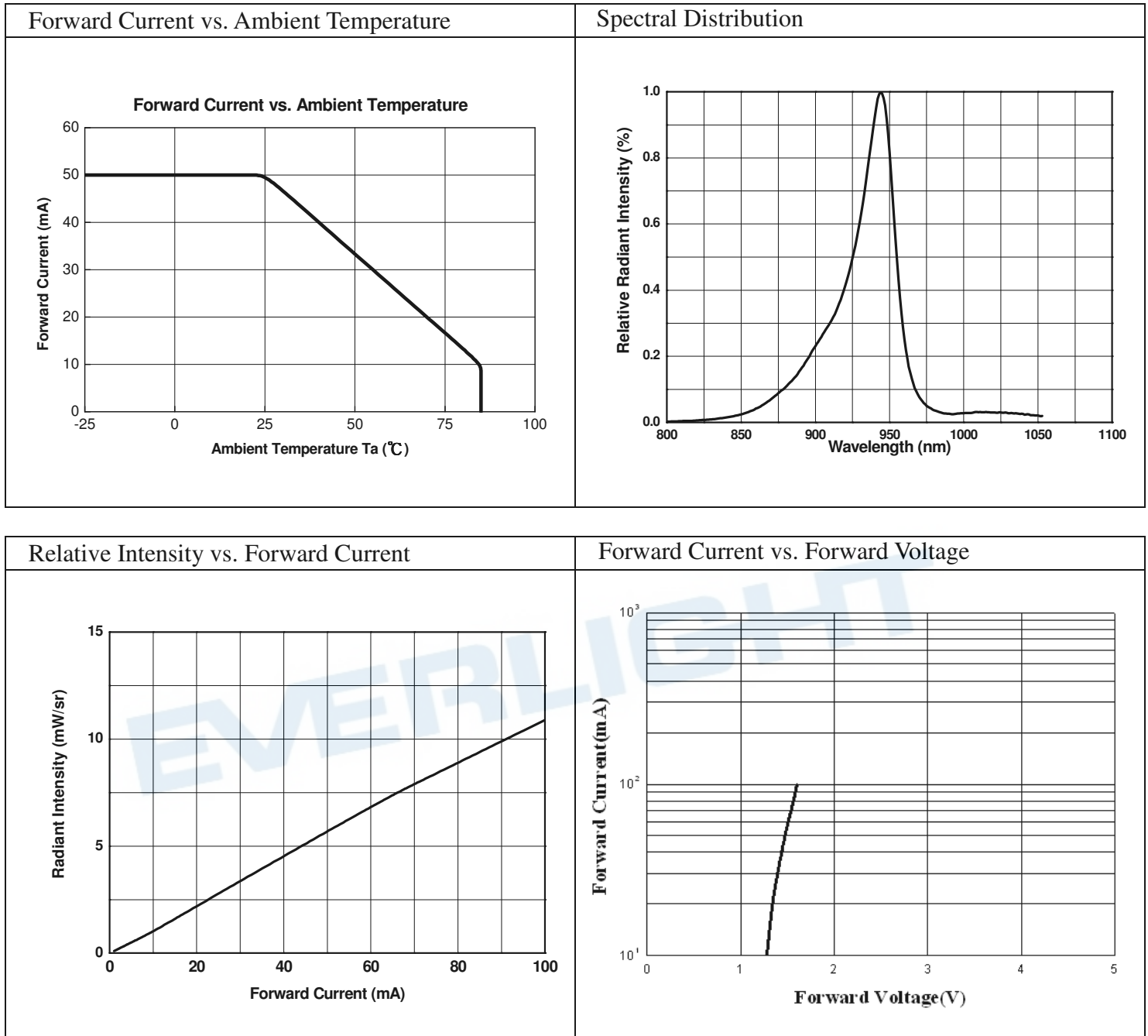
Tolerance of Forward Voltage: $\pm 0.1\text{V}$

G- Dominant Wavelength Bins

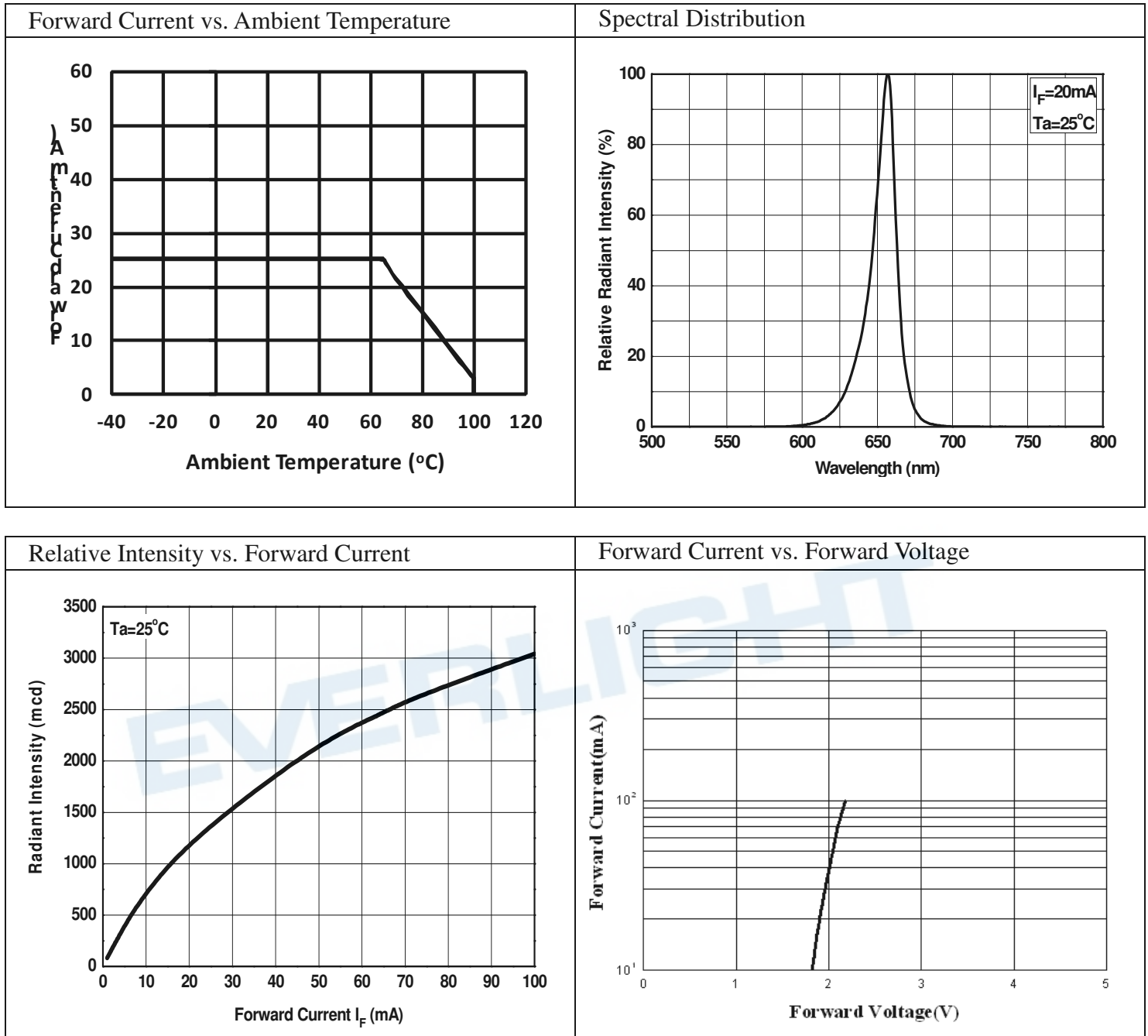
Bin Code	Min.	Max.	Unit	Condition
G1	515	520	nm	$I_F = 20\text{mA}$
G2	520	525		
G3	525	530		

Dominant / Peak wavelength measurement tolerance: $\pm 1\text{nm}$

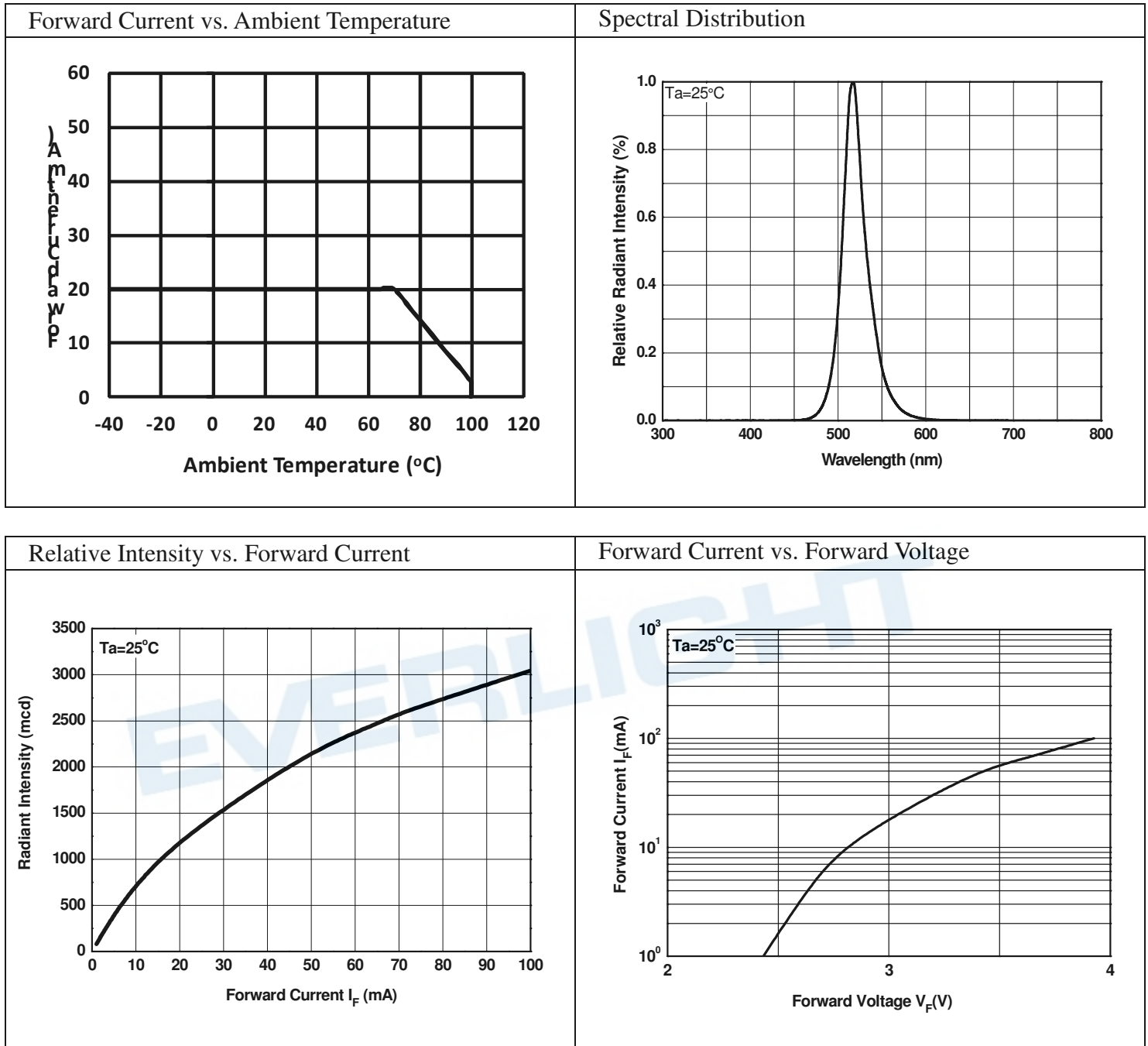
Typical Electrical/Optical/Characteristics Curves for IR



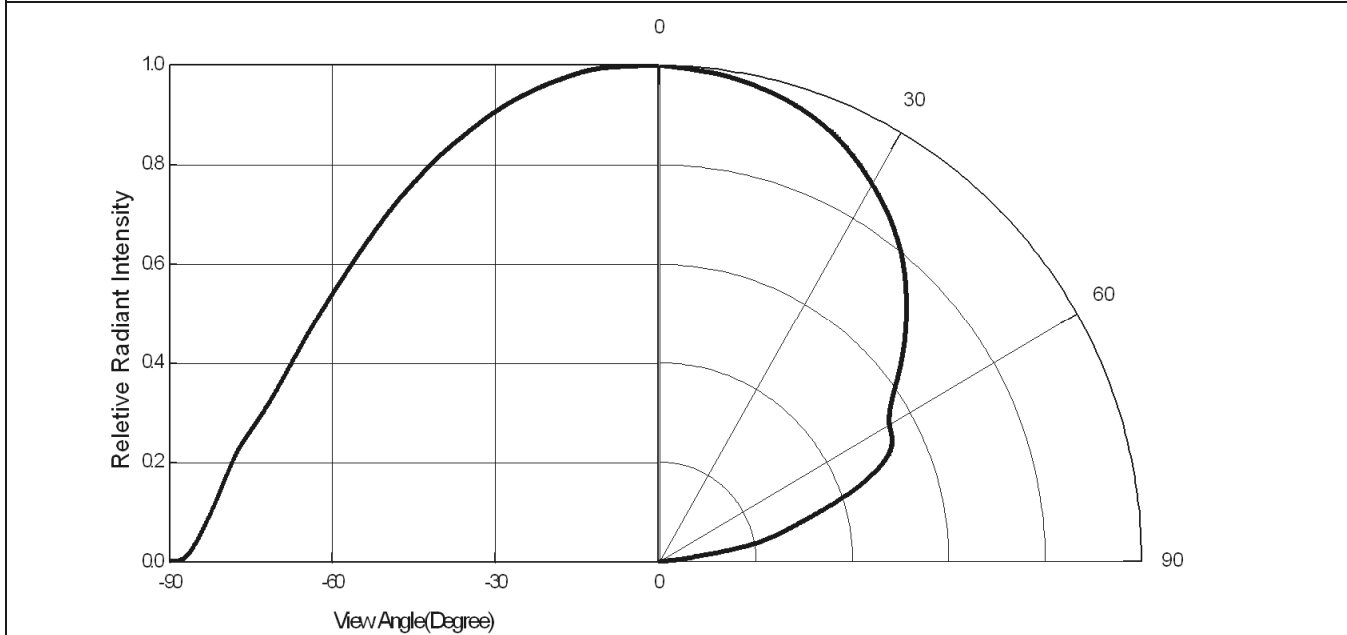
Typical Electrical/Optical/Characteristics Curves for Red



Typical Electrical/Optical/Characteristics Curves for Green



Relative Light Current vs. Angular Displacement



EVERLIGHT

Precautions For Use

1. Over-current-proof

Customer must apply resistors for protection , otherwise slight voltage shift will cause big current change (Burn out will happen).

2. Storage

2.1 Do not open moisture proof bag before the products are ready to use.

2.2 Before opening the package, the LEDs should be kept at 30°C or less and 90%RH or less.

2.3 The LEDs should be used within a year.

2.4 After opening the package, the LEDs should be kept at 30°C or less and 60%RH or less.

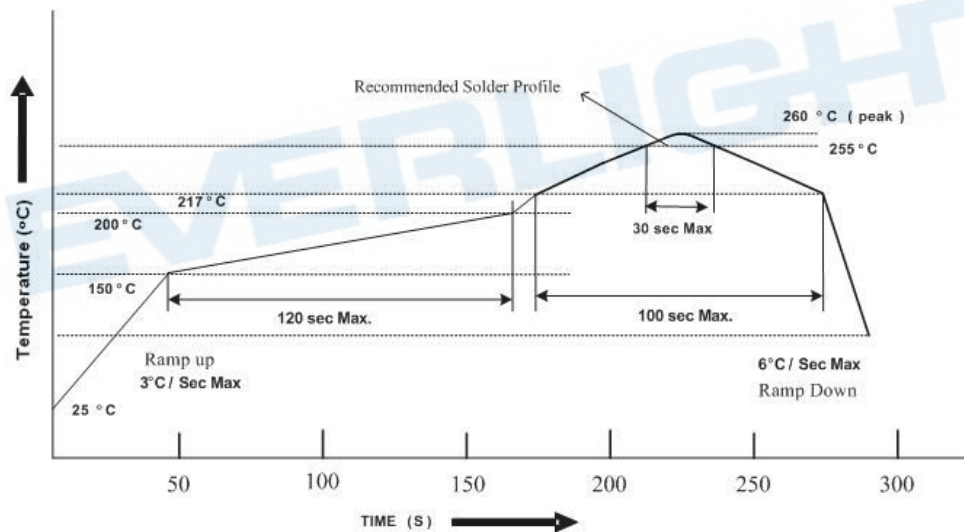
2.5 The LEDs should be used within 168 hours (7 days) after opening the package

2.6 If the moisture absorbent material (silica gel) has faded away or the LEDs have exceeded the storage time, baking treatment should be performed using the following conditions.

Baking treatment : 60±5°C for Min. 24 hours.

3. Soldering Condition

3.1 Pb-free solder temperature profile



3.2 Reflow soldering should not be done more than two times.

3.3 When soldering, do not put stress on the LEDs during heating.

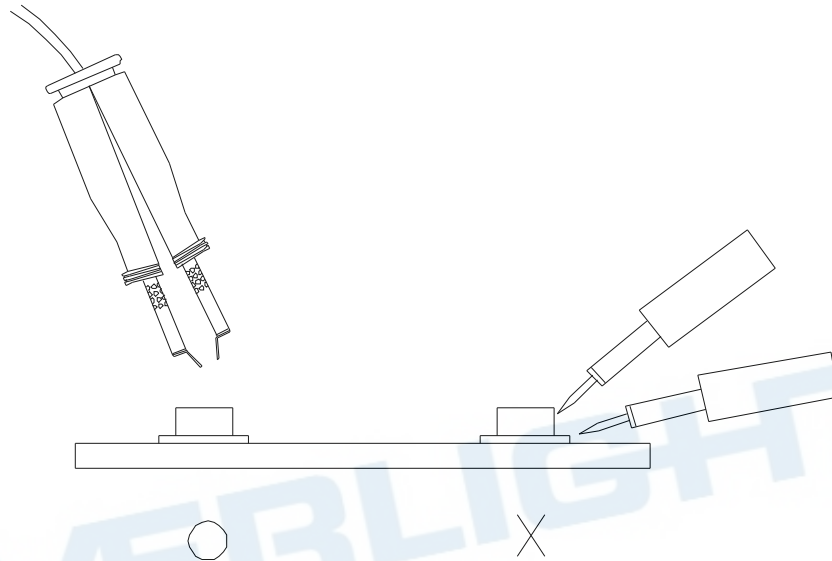
3.4 After soldering, do not warp the circuit board.

4. Soldering Iron

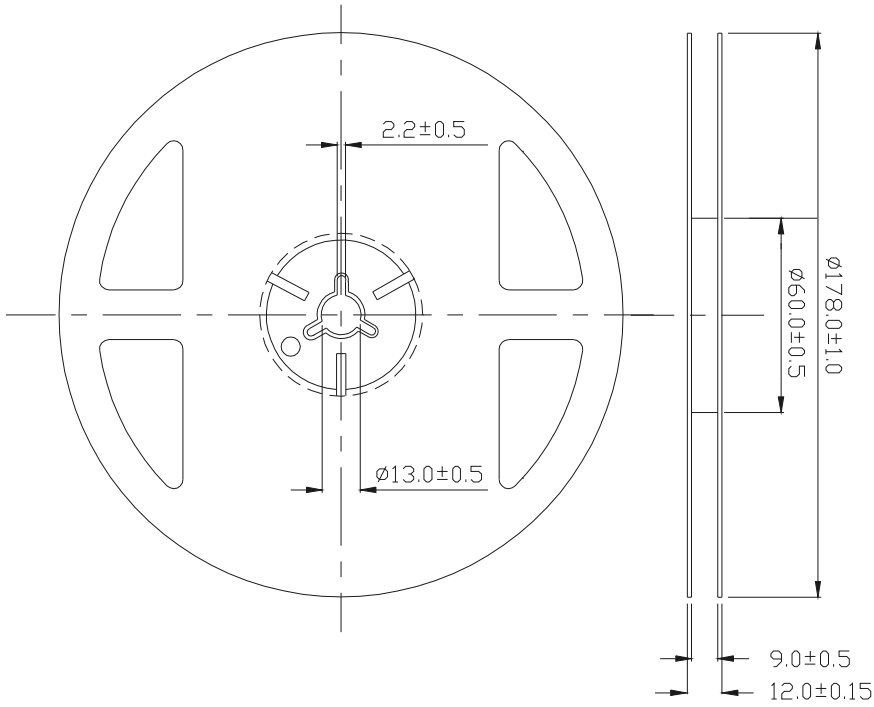
Each terminal is to go to the tip of soldering iron temperature less than 350°C for 3 seconds within once in less than the soldering iron capacity 25W. Leave two seconds and more intervals, and do soldering of each terminal. Be careful because the damage of the product is often started at the time of the hand solder.

5. Repairing

Repair should not be done after the LEDs have been soldered. When repairing is unavoidable, a double-head soldering iron should be used (as below figure). It should be confirmed beforehand whether the characteristics of the LEDs will or will not be damaged by repairing.

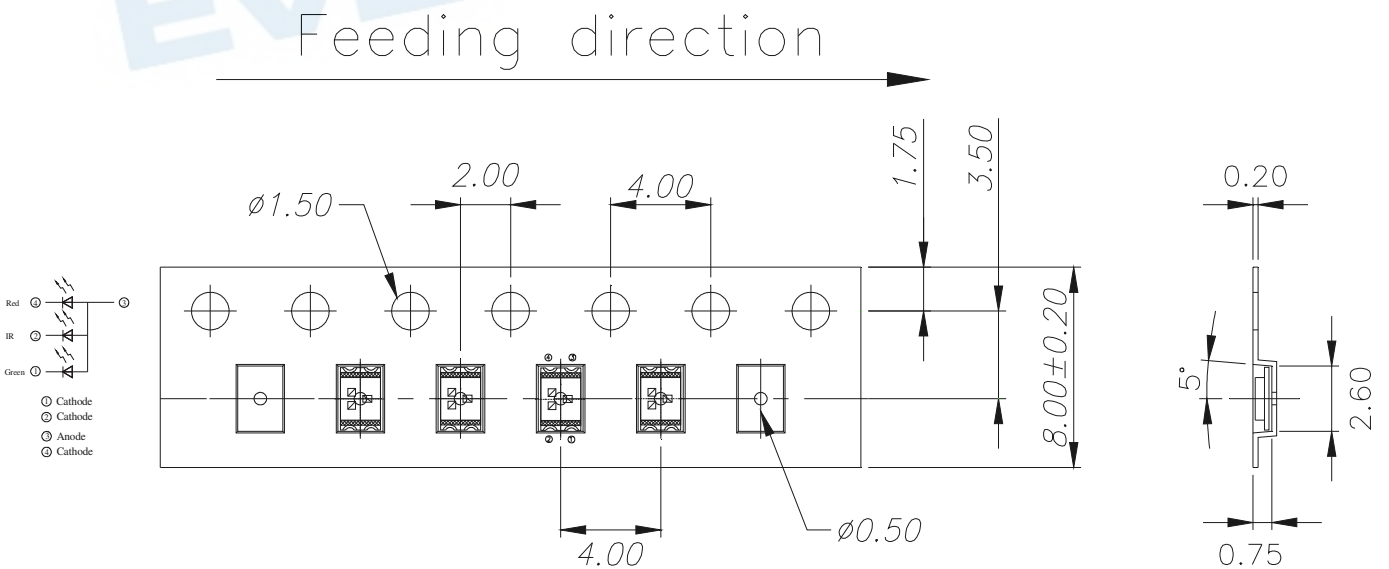


Package Dimensions



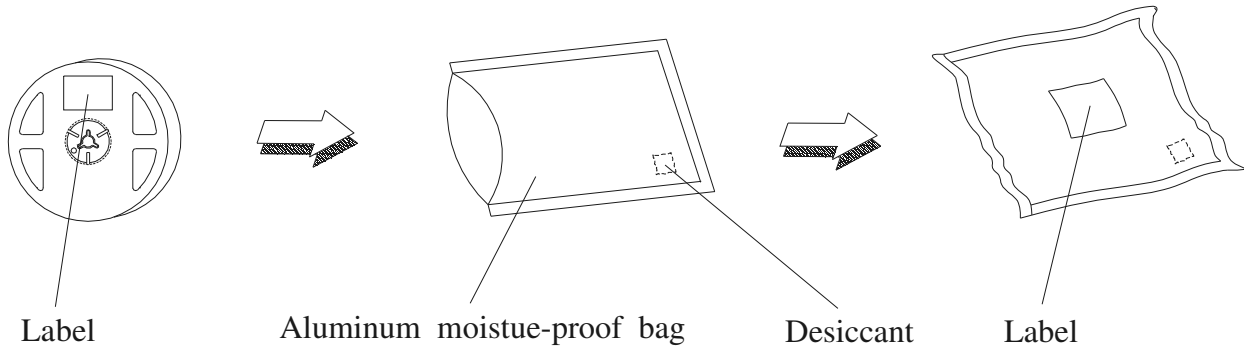
Note: The tolerances unless mentioned is ± 0.1 mm ,Unit = mm

Carrier Tape Dimensions : (Quantity: 2500 pcs/Reel)
(Minimum Quantity: 500 pcs/Reel for each BIN)

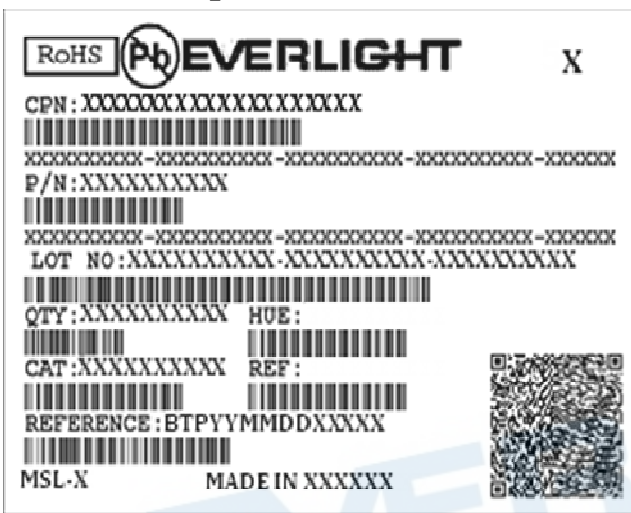


Note: The tolerances unless mentioned is ± 0.1 mm ,Unit = mm

Packing Procedure



Label Form Specification



CPN: Customer's Production Number
P/N : Production Number
QTY: Packing Quantity
CAT: Ranks
HUE: Peak Wavelength
REF: Reference
LOT No: Lot Number
MADE IN TAIWAN: Production Place

DISCLAIMER

1. EVERLIGHT reserves the right(s) on the adjustment of product material mix for the specification.
2. The product meets EVERLIGHT published specification for a period of twelve (12) months from date of shipment.
3. The graphs shown in this datasheet are representing typical data only and do not show guaranteed values.
4. When using this product, please observe the absolute maximum ratings and the instructions for using outlined in these specification sheets. EVERLIGHT assumes no responsibility for any damage resulting from the use of the product which does not comply with the absolute maximum ratings and the instructions included in these specification sheets.
5. These specification sheets include materials protected under copyright of EVERLIGHT. Reproduction in any form is prohibited without obtaining EVERLIGHT's prior consent.
6. This product is not intended to be used for military, aircraft, automotive, medical, life sustaining or life saving applications or any other application which can result in human injury or death. Please contact authorized Everlight sales agent for special application request.

单击下面可查看定价，库存，交付和生命周期等信息

[>>Everlight \(亿光\)](#)