



CATALOGUE 2014-2015

OPTOELECTRONIC COMPONENTS

www.everlightamericas.com

EVERLIGHT
AMERICAS

Downloaded From Oneyac.com

EVERLIGHT

THE SOURCE OF LIGHT

EVERLIGHT illuminates the way for many of the world's brightest companies. Acclaimed as a premiere global solution provider in the opto-semiconductor industry and held in high regard as a reliable partner for many of the world's leading electronics companies, EVERLIGHT incorporates versatility and creativity to provide customer driven value.

Since its foundation in 1983, EVERLIGHT has been an innovator in the production of LED for home appliances. Today EVERLIGHT brings decades of knowledge to a wide range of applications in the LED market including automotive, backlighting, solid state lighting, infrared products, mobile devices and signage.

From intelligent infrared sensors in mobile devices and backlit dashboards in automobiles to high-precision controls for industrial applications, EVERLIGHT improves the way we live. In addition, with applications for highly efficient indoor and outdoor lighting in offices, homes, landmarks and cities, EVERLIGHT's technology lights up the very spaces and places we enjoy everyday. In other words: EVERLIGHT makes the world brighter, more colorful and enhances quality of life.

For more information, please visit our website :
www.everlightamericas.com

CONTENTS

Alphanumeric Index	04
Conditions of RoHS	13
Application Notice	14
Technical Data	15

Visible LED

High Power LED		36
Low Middle Power LED		47
Flash LED	High Power Flash LED	50
SMD LED	Subminiature LED Lamps (Leadframe)	53
	Surface Mount Chip LED (PCB)	55
	Top View LED	56
	Top View 0402 (0.2T~0.5T)	57
	Top View 0603 (0.2T~0.8T)	62
	Top View 0805	64
	Top View 1206	66
	Top View Bi-Color	70
	Top View Full Color	72
	Side View (0.2T~1.0T)	75
	Side View Bi-Color	76
	Side View Full Color	77
	Reverse Mount	79
	Reverse Mount Bi-color	79
	Reverse Mount Full color	79
	Surface Mount PLCC LEDs (Reflector)	80
	Top View LED	80
	Top View Bi-Color	81
	Top View PLCC2	83
	Top View PLCC3	84
	Top View PLCC4	85
	Side View LED	88
LED Lamps	2mm Tower Type	88
	3mm Round Type	88
	5mm Round Type	93
	8mm Round Type	98
	10mm Round Type	98
	3mm Cylindrical	99
	5mm Cylindrical	99
	5mm Square	99
	Rectangular	100
	3mm Assembly LED	103
	5mm Assembly LED	106
LED Digital Displays	Chip On Board Display	108
	Single Digit Display	108
	Dual Digit Display	113
	Three Digit Display	114
	Four Digit Display	116
	SMD Display	118
	Single Digit Display	120
	Dual Digit Display	122
	Three Digit Display	123
	Four Digit Display	124
	Dot Matrix Display	125
	Light Bar Display	127
Signage LED	Surface Mount Chip LED (PCB)	128
	Surface Mount PLCC LED (Reflector)	129
	Lamp Type LED	130
	3mm Oval Type	129
	5mm Oval Type	130
	5mm Round Type	131
Automotive LED	Super Flux LED	132
	Surface Mount Chip LED (PCB)	134
	Surface Mount PLCC LED (Reflector)	134

Infrared LED and Silicon Detector	Emitter	Lamp 3mm	138
		Lamp 5mm	139
		Piranha	142
	Photo Diode	SMD	143
		DIP	150
		Side Look	151
		SMD	152
	Photo Transistor	DIP	155
		Side Look	158
		SMD	159
Infrared Receiver Module	Short Burst	DIP-Vo – Vcc – GND	163
		SMD	163
	Standard Burst	DIP-Vo – GND – Vcc	165
		DIP-Vo – Vcc – GND	169
		SMD	170
	Width Band	DIP-Vo – GND – Vcc	174
	3D		174
Optic-Fiber Device (Photo Link)	Receiver (PLR) Component		175
	Receiver (PLR) Module		178
	Transmitter (PLT) Component		179
	Transmitter (PLT) Module		182
Optical Sensors	Ambient Light Sensor	Analog	184
		Digital	189
	RGB Color Sensor	Single Color Sensor (Analog)	190
	Reflective Sensor		191
	Transmissive Sensor		195
Photo Coupler	Darlington Transistor	4Pin DIP-DC	201
		4Pin SOP-DC	201
		6Pin DIP-DC	202
		8Pin DIP-DC	202
	High Speed	5Pin SOP	203
		8Pin SOP	204
		8Pin DIP	205
		8Pin Wide Body DIP	207
		IGBT/MOSFET Gate Driver	5Pin SOP
	Schmitt Trigger Transistor	8Pin SOP	208
		8Pin DIP	209
		8Pin Wide Body DIP	209
		6Pin DIP	209
		4Pin DIP-AC	210
		4Pin DIP-DC	210
		4Pin High Isolation	211
		4Pin SOP-AC	211
		4Pin SOP-DC	212
		4Pin SSOP-AC	212
		4Pin SSOP-DC	213
		4Pin Long Creepage	213
		5Pin Long Creepage	214
	6Pin DIP-DC	214	
	6Pin DIP-AC	215	
	8Pin DIP-DC	215	
	8Pin SOP-DC	215	
	8Pin SSOP-DC	216	
	8Pin SSOP-AC	216	
	16Pin DIP-DC	217	
	16Pin SSOP-AC	217	
	16Pin SSOP-DC	217	
	Triac	4Pin SOP	218
4Pin DIP		219	
5Pin DIP		220	
6Pin DIP		221	
Relay (Solid State Relay)	4Pin DIP	222	
	6Pin DIP	222	

ALPHANUMERIC INDEX

VISIBLE LED

EAAY03BLAGGA0	104	EADCD040GA2	111	EADLB101RA2	124
EAAY03BLAGYA0	104	EADCD040OA1	110	EADLBA10GA1	124
EAAY03BLARGA0	104	EADCD040OA2	111	EADLBA10OA1	124
EAAY03BLARRA0	104	EADCD040RA1	110	EADLBA10RA1	124
EAAY03BLAYYA0	104	EADCD040RA2	111	EADLBA10RA3	124
EAAY03BLBGA0	105	EADCD040YA2	111	EADSD040GA2	118
EAAY03BLBGRA0	105	EADCD050RA1	112	EADSD040RA1	118
EAAY03BLBRGA0	105	EADCD054GA1	112	EADSD040RA2	118
EAAY03BLBRYA0	105	EADCD054OA0	112	EADSD050RA2	119
EAAY03QLA4-RBA0	105	EADCD054OA1	112	EADSD056GA1	119
EAAY03QLA4-RYA0	105	EADCD054RA1	112	EADSD056GA2	119
EAAY03QLABBBBA0	105	EADCD054RA2	112	EADSF040GA1	122
EAAY03QLAGGGGA0	105	EADCD056BA2	111	EADSF040RA1	122
EAAY03QLAGGRRRA0	105	EADCD056GA2	111	EADSF056RA1	122
EAAY03QLAGGYA0	105	EADCD056GA4	111	EADSF056RA2	122
EAAY03QLARRRRA0	105	EADCD056GA6	111	EADSS020GA1	116
EAAY03QLAYYYA0	105	EADCD056GA8	111	EADSS020RA1	116
EAAY03SLABA0	103	EADCD056OA1	111	EADSS020RA2	116
EAAY03SLAGA0	103	EADCD056RA1	111	EADSS020YA1	116
EAAY03SLARA0	103	EADCD056RA2	111	EADSS020YA2	116
EAAY03SLAYA0	103	EADCD056RA4	111	EADSS040RA1	116
EAAY03SLBAA0	103	EADCD056RA6	111	EADSS040RA2	117
EAAY03SLBBA0	103	EADCF040GA2	115	EADSS050GA2	117
EAAY03SLBGA0	103	EADCF040RA1	114	EADSS056BA2	118
EAAY03SLBGA1	103	EADCF040RA2	115	EADSS056GA1	117
EAAY03SLBRA0	103	EADCF040RA4	115	EADSS056RA1	117
EAAY03SLBYA0	103	EADCF056GA1	115	EADSS056RA2	118
EAAY03SLCBA0	103	EADCF056GA2	115	EADST040RA1	120
EAAY03SLCGA0	103	EADCF056RA1	115	EADST040RA2	120
EAAY03SLCRA0	103	EADCF056RA2	115	EADST050GA1	120
EAAY03SLCYA0	103	EADCS030BA2	108	EADST056GA1	121
EAAY03SLDBA0	106	EADCS030GA1	108	EADST056GA2	121
EAAY03SLDGA0	106	EADCS030GA2	108	EADST056RA2	121
EAAY03SLDRA0	106	EADCS030OA1	108	EAF2016W16A0	51
EAAY03SLDYA0	106	EADCS030OA2	108	EAF2016W20A0	52
EAAY03SLDYGA0	106	EADCS030RA1	108	EAF2016W30A0	52
EAAY03TLAGGGA0	104	EADCS030RA2	108	EAF2016W33A0	51
EAAY03TLARRRA0	104	EADCS036GA1	108	EAF2016W85A0	51
EAAY03TLAYYYA0	104	EADCS036RA1	108	EAF2016W85A0	50
EAAY05SLAGYA0	106	EADCS100RA2	109	EAF2016W85A0	50
EAAY05SLARGA0	106	EADCS224BA2	109	EAF2016W85A0	39
EAAY05SLAYGA0	106	EADCS224GA2	109	EAF2016W85A0	39
EAAY05SLAYYA0	106	EADCS224OA1	109	EAF2016W85A0	39
EAAY05SLBBA0	107	EADCS224RA1	109	EAF2016W85A0	39
EAAY05SLBGA0	107	EADCS224RA2	109	EAF2016W85A0	39
EAAY05SLBRA0	107	EADCT036GA1	113	EAF2016W85A0	39
EAAY05SLBYA0	107	EADCT036GA2	113	EAF2016W85A0	39
EAAY05SLCBA0	107	EADCT036RA2	113	EAF2016W85A0	39
EAAY05SLCGA0	107	EADCT056AA1	113	EAF2016W85A0	39
EAAY05SLCRA0	107	EADCT056AA2	114	EAF2016W85A0	39
EAAY05SLCYA0	107	EADCT056BA2	114	EAF2016W85A0	39
EAAY05SLDBA0	107	EADCT056GA1	113	EAF2016W85A0	39
EAAY05SLDGA0	107	EADCT056GA2	114	EAF2016W85A0	39
EAAY05SLDGA1	107	EADCT056RA1	113	EAF2016W85A0	39
EAAY05SLDRA0	107	EADCT056RA2	114	EAF2016W85A0	39
EAAY05SLDRA1	107	EADDM288GA1	123	EAF2016W85A0	39
EAAY05SLDYA0	107	EADDM288GA2	123	EAF2016W85A0	39
EADCD030RA1	110	EADDM288RA1	123	EAF2016W85A0	39
EADCD030RA2	110	EADDM288YA1	123	EAF2016W85A0	39
EADCD040GA1	110	EADLB101GA2	124	EAF2016W85A0	39

ALPHANUMERIC INDEX

VISIBLE LED

EAHP1215WC2	40	EAHP2024WA8	41	EALP02RRARA0	100
EAHP1215WC3	41	EAHP2024WA9	43	EALP02RRAYA0	100
EAHP1215WC4	39	EAHP2024WB0	41	EALP02RRBGA0	100
EAHP1215WC5	39	EAHP2024WB1	42	EALP02RRBRA0	100
EAHP1313WA0	36	EAHP2024WB2	43	EALP02RRBRA1	100
EAHP1313WA1	36	EAHP2024WB3	43	EALP02RRBYA1	100
EAHP1313WA2	37	EAHP2024WB4	43	EALP02RRCRGA0	100
EAHP1313WA3	36	EAHP2024WB5	41	EALP02RRCYGA0	100
EAHP1313WA4	36	EAHP2024WB6	42	EALP02RRDBA0	100
EAHP1313WA5	37	EAHP2024WB7	41	EALP02RRDGA0	100
EAHP1313WA6	36	EAHP2024WB8	41	EALP02RRDRA0	100
EAHP1313WA7	36	EAHP3030WA0	49	EALP02RRDRA1	100
EAHP1313WA8	37	EAHP3030WA1	49	EALP02RRDYA0	100
EAHP1313WA9	36	EAHP3030WA2	49	EALP02RRREGA0	101
EAHP1313WB0	36	EAHP3030WA3	49	EALP02RRRERA0	101
EAHP1313WB1	37	EAHP3030WA4	49	EALP02RRRERA1	101
EAHP1313WB2	36	EAHP3030WA5	49	EALP02RRFBA0	101
EAHP1313WB3	36	EAHP3030WA6	49	EALP02RRFGA0	101
EAHP1313WB4	37	EAHP3045BA0	45	EALP02RRFRA0	101
EAHP1313WB5	36	EAHP3045BA1	45	EALP02RRFYA0	101
EAHP1313WB6	36	EAHP3045BA2	45	EALP02RRGGA0	102
EAHP1313WB7	37	EAHP3045GA0	45	EALP02RRGRA0	102
EAHP1313WB8	36	EAHP3045GA1	45	EALP02RRGYA0	102
EAHP1313WB9	36	EAHP3045GA2	45	EALP02TRABA0	88
EAHP1313WC0	37	EAHP3045GA3	45	EALP02TRAGA0	88
EAHP1313WC1	36	EAHP3045GA4	45	EALP02TRARA0	88
EAHP1313WC2	36	EAHP3045OA0	45	EALP03CLARA0	99
EAHP1313WC3	37	EAHP3045OA1	45	EALP03CLAYA0	99
EAHP1919WA0	37	EAHP3045RA0	45	EALP03OLABA0	128
EAHP1919WA1	38	EAHP3045RA1	45	EALP03OLAGA0	128
EAHP1919WA2	38	EAHP3045RA2	45	EALP03OLARA0	128
EAHP1919WA3	37	EAHP3045RA3	45	EALP03OLARA1	128
EAHP1919WA4	38	EAHP3045RA4	45	EALP03OLAYA0	128
EAHP1919WA5	38	EAHP3045YA0	45	EALP03RDAAA0	88
EAHP1919WA6	37	EAHP3045YA1	45	EALP03RDABA0	88
EAHP1919WA7	38	EAHP3045YA2	45	EALP03RDABA1	88
EAHP1919WA8	38	EAHP3535BA0	44	EALP03RDAGA0	88
EAHP1919WA9	38	EAHP3535BA1	44	EALP03RDAGA1	88
EAHP1919WB0	38	EAHP3535BA2	44	EALP03RDAGA2	88
EAHP1919WB1	37	EAHP3535GA0	44	EALP03RDAGA3	88
EAHP1919WB2	38	EAHP3535GA1	44	EALP03RDAGA4	88
EAHP1919WB3	38	EAHP3535GA2	44	EALP03RDAOA0	88
EAHP1919WB4	37	EAHP3535OA0	44	EALP03RDARA0	88
EAHP1919WB5	38	EAHP3535RA0	44	EALP03RDARA1	88
EAHP1919WB6	38	EAHP3535RA1	44	EALP03RDARA2	88
EAHP1919WB7	37	EAHP3535RA2	44	EALP03RDARA3	88
EAHP1919WB8	38	EAHP3535RA3	44	EALP03RDARA4	88
EAHP1919WB9	38	EAHP3535XWA0	46	EALP03RDARGA0	88
EAHP1919WC0	37	EAHP3535XWA1	46	EALP03RDARGA1	88
EAHP1919WC1	37	EAHP3535XWA2	46	EALP03RDAYA0	88
EAHP1919WC2	38	EAHP3535XWA3	46	EALP03RDAYA1	88
EAHP1919WC3	38	EAHP3535XWA4	46	EALP03RDAYA2	88
EAHP2024WA0	43	EAHP3535XWA5	46	EALP03RDAYA3	88
EAHP2024WA1	41	EAHP3535YA0	44	EALP03RDAYA4	88
EAHP2024WA2	42	EAHP3535YA1	44	EALP03RDAYA5	88
EAHP2024WA3	43	EALP00SXABA0	132	EALP03RDBAGA0	89
EAHP2024WA4	43	EALP00SXAWA0	132	EALP03RDBGYA0	88
EAHP2024WA5	41	EALP00SXBYA0-AM	132	EALP03RDBRGA0	89
EAHP2024WA6	42	EALP02RRAAA0	100	EALP03RDBRGA1	89
EAHP2024WA7	43	EALP02RRAGA0	100	EALP03RDBRGA2	89

ALPHANUMERIC INDEX

VISIBLE LED

EALP05SQARA0	99	EAPL3527GA5	81	EAPL4210A2	87
EALP05SQARA1	99	EAPL3527GA7	83	EASG2025GA0	53
EALP05SQAYA0	99	EAPL3527OA0	83	EASG2025GA1	53
EALP05SXABA0	131	EAPL3527OA1	82	EASG2025RA0	53
EALP05SXAWA0	131	EAPL3527RA0	82	EASG2025RA1	53
EALP05SXAYA0	131	EAPL3527RA0-AM	134	EASG2122GA0	54
EALP05SXAYA1	131	EAPL3527RA1	82	EASG2122GA1	54
EALP08RDAYA0	98	EAPL3527RA1-AM	134	EASG2122RA0	54
EALP10RDAGA0	98	EAPL3527RA2	82	EASG2122YA0	54
EALP10RDAGA1	98	EAPL3527RA2-AM	135	EASR3212AA0	77
EALP10RDARA0	98	EAPL3527RA3	82	EASR3212ABA0	79
EALP10RDAYA0	98	EAPL3527RA4	82	EASR3212ABA1	79
EAPL2214BA1	81	EAPL3527RA5	82	EASR3212BA0	77
EAPL2214GA0	81	EAPL3527RA6	82	EASR3212BA1	77
EAPL2214GA0-AM	134	EAPL3527RA8	83	EASR3212RGA0	79
EAPL2214GA1	81	EAPL3527WA0	83	EASR3212RGBA0	79
EAPL2214GA1-AM	134	EAPL3527WA1	82	EASR3212WA0	77
EAPL2214RA0	81	EAPL3527WA2	82	EASR3212WA1	77
EAPL2214RA0-AM	134	EAPL3527WA3	82	EASR3212WA2	77
EAPL2214RA1-AM	134	EAPL3527WA5	81	EASR3212WA3	77
EAPL2214WA0	81	EAPL3527WA6	81	EASR3212YA0	77
EAPL2214YA1	81	EAPL3527WA7	83	EASR3216BA2	78
EAPL2214YA2	81	EAPL3527YA0	82	EASR3216GA0	77
EAPL2835WA0	48	EAPL3527YA0-AM	134	EASR3216GA1	77
EAPL2835WA1	48	EAPL3527YA1-AM	135	EASR3216RA0	77
EAPL2835WA2	48	EAPL3527YA3	82	EASR3216RA1	77
EAPL2835WA3	48	EAPL3528RGA1	80	EASRL3216GA0	78
EAPL2835WA4	48	EAPL3528RGA0	127	EASRL3216GA1	78
EAPL2835WA5	48	EAPL3528RYA0	80	EASRL3216WA0	78
EAPL2835WA6	48	EAPL3528WA0	80	EASRL3216WA1	78
EAPL2835WA7	48	EAPL3810A0	87	EASRR3216BA0	78
EAPL2835WA8	48	EAPL3810A1	87	EASRR3216GA0	78
EAPL2835WA9	48	EAPL3810A2	87	EAST0808RGA0	126
EAPL2835WB0	48	EAPL3810A3	87	EAST0808RGA1	126
EAPL2835WB1	48	EAPL3810A4	87	EAST10052WA0	56
EAPL2835WB2	48	EAPL3810A0	86	EAST10053WA0	56
EAPL2835WB3	48	EAPL3810A1	86	EAST1005BA0	56
EAPL2835WB4	48	EAPL3810A2	86	EAST1005BA1	56
EAPL3020AA0	47	EAPL3810A3	86	EAST1005GA0	56
EAPL3020WA0	47	EAPL3810A4	86	EAST1005RA0	56
EAPL3020WA1	47	EAPL3810A5	86	EAST1005WA0	56
EAPL3020WA2	47	EAPL3810A6	86	EAST1005WA1	56
EAPL3020WA3	47	EAPL3810A7	86	EAST1010RGA0	125
EAPL3020WA4	47	EAPL3810A8	86	EAST1010RGA1	125
EAPL3020WA5	47	EAPL3810A9	86	EAST1224AA0	55
EAPL3020WA6	47	EAPL3810B0	86	EAST1224BA0	55
EAPL3232RGA0	127	EAPL3810B1	86	EAST1224YA0	55
EAPL3527BA0-AM	134	EAPL3810B2	86	EAST16082WA0	61
EAPL3527BA1	82	EAPL3810B3	86	EAST16082WA1	61
EAPL3527BA2	82	EAPL3810B4	86	EAST16082YA0	61
EAPL3527BA2-AM	134	EAPL3810B5	86	EAST16083BA0	57
EAPL3527BA3-AM	135	EAPL3810B6	86	EAST16083BA1	61
EAPL3527BA4	81	EAPL3810B7	86	EAST16083BA2	57
EAPL3527BA5	83	EAPL3828GGA0	80	EAST16083GA0	61
EAPL3527BGRA0	84	EAPL4040GA0-AM	135	EAST16083GA1	61
EAPL3527GA0	82	EAPL4040RA0	85	EAST16083RA0	61
EAPL3527GA0-AM	134	EAPL4040RA0-AM	135	EAST16083RA1	61
EAPL3527GA1-AM	135	EAPL4040WA1	85	EAST16083WA2	61
EAPL3527GA2	82	EAPL4040YA0-AM	135	EAST16084AA0	59
EAPL3527GA3	82	EAPL4210A1	87	EAST16084BA0	57

ALPHANUMERIC INDEX

VISIBLE LED

EAST16084BA1	59	EAST1608GA2	58	EAST2012GA1	62
EAST16084BA2	59	EAST1608GA3	58	EAST2012GA2	62
EAST16084GA1	59	EAST1608GA4	58	EAST2012GA3	62
EAST16084OA0	59	EAST1608GA5	58	EAST2012GA4	62
EAST16084RA0	59	EAST1608GA6	58	EAST2012GA5	62
EAST16084WA0	57	EAST1608RA0	58	EAST2012GA6	62
EAST16084WA1	59	EAST1608RA1	58	EAST2012GA7	62
EAST16084WA2	59	EAST1608RA2	58	EAST2012GA8	62
EAST16084WA3	59	EAST1608RA3	58	EAST2012GA9	62
EAST16084WA4	57	EAST1608RA4	58	EAST2012OA0	62
EAST16084YA0	59	EAST1608RGA0	67	EAST2012RA0	62
EAST16084YA1	59	EAST1608RGA2	67	EAST2012RA1	62
EAST16084YA2	59	EAST1608RGA3	67	EAST2012RA2	62
EAST16086AA0	60	EAST1608WA1	58	EAST2012RA3	62
EAST16086AA1	60	EAST1608YA0	58	EAST2012RA3-AM	133
EAST16086BA0	60	EAST1608YA1	58	EAST2012WA1	62
EAST16086BA1	60	EAST1608YA2	58	EAST2012WA3	62
EAST16086GA0	60	EAST1608YA3	58	EAST2012YA0	62
EAST16086GA1	60	EAST1613RGA0	68	EAST2012YA1	62
EAST16086GA2	60	EAST1613RGA1	68	EAST2012YA2	62
EAST16086GA3	60	EAST1615ABA0	69	EAST2012YA3	62
EAST16086GA4	60	EAST1615AWA0	69	EAST3015GA0	64
EAST16086GA5	60	EAST1615GAA0	69	EAST3015GA1	64
EAST16086GA6	60	EAST1615RBA0	69	EAST3015GA2	64
EAST16086GA7	60	EAST1615RBA1	69	EAST3015GA3	64
EAST16086GA8	60	EAST1615RGA0	69	EAST3015RA0	64
EAST16086GA9-AM	132	EAST1615RGA1	69	EAST3015RA1	64
EAST16086GB1	60	EAST1615YGA0	69	EAST3015RA2	64
EAST16086OA0	60	EAST1615YWA0	67	EAST3015RA3	64
EAST16086OA2-AM	132	EAST1616RGA0	70	EAST3015YA0	64
EAST16086RA0	60	EAST1616RGA1	71	EAST3015YA1	64
EAST16086RA1	60	EAST1616RGA2	71	EAST3025RBA0	66
EAST16086RA2	60	EAST1616RGA3	70	EAST3025RGA0	66
EAST16086RA3	60	EAST1616RGA4	71	EAST3025RGA2	66
EAST16086RA4	60	EAST1916GRA0	68	EAST3025RGA3	66
EAST16086RA5	60	EAST1916RBA0	68	EAST3025RGA4	66
EAST16086RA6	60	EAST1916RGA0	68	EAST3025YGA4	66
EAST16086RA7	60	EAST1916RGA1	68	EAST3215BA0	64
EAST16086RA8-AM	132	EAST1916YGA0	68	EAST3215BA1	64
EAST16086WA0	59	EAST20128AA0	63	EAST3215BA3	65
EAST16086WA2	59	EAST20128AA0-AM	133	EAST3215BA4	65
EAST16086WA3	60	EAST20128AA1	63	EAST3215GA0	65
EAST16086YA0	60	EAST20128BA1	63	EAST3215GA1	65
EAST16086YA1	60	EAST20128BA2	63	EAST3215GA2	65
EAST16086YA2	60	EAST20128GA0	63	EAST3215GA3	65
EAST16086YA3	60	EAST20128GA0-AM	133	EAST3215GA5-AM	133
EAST16086YA4	60	EAST20128GA1	63	EAST3215GA6	65
EAST16086YA5	60	EAST20128GA2	63	EAST3215GA7	65
EAST16086YA7-AM	132	EAST20128GA3	63	EAST3215GA8	65
EAST1608AA0	58	EAST20128GA4	63	EAST3215OA0	65
EAST1608AA1	58	EAST20128RA0	63	EAST3215RA0	65
EAST1608AA2	58	EAST20128RA0-AM	133	EAST3215RA1	65
EAST1608AGA0	67	EAST20128RA1	63	EAST3215RA2	65
EAST1608BA0	58	EAST20128RA2	63	EAST3215RA3-AM	133
EAST1608BA1	58	EAST20128YA0-AM	133	EAST3215RA4-AM	133
EAST1608BA2	58	EAST2012AA0	62	EAST3215RA6	65
EAST1608BA2	60	EAST2012BA0	62	EAST3215RA7	65
EAST1608BRA0	67	EAST2012BA1	62	EAST3215WA0	64
EAST1608GA0	58	EAST2012BA2	62	EAST3215WA1	65
EAST1608GA1	58	EAST2012GA0	62	EAST3215WA2	65

ALPHANUMERIC INDEX

INFRARED LED, SENSORS, COUPLERS

4N25	214	EAILP03SXAA0	142	EAIRMEA2	168
4N26	214	EAILP03SXCA0	142	EAIRMEA3	168
4N27	214	EAILP03SXEA0	142	EAIRMFA0	168
4N28	214	EAILP05RDBA0	139	EAIRMGA0	171
4N29	202	EAILP05RDBA1	139	EAIRMGA1	171
4N30	202	EAILP05RDBA2	139	EAIRMGA2	171
4N31	202	EAILP05RDBA3	139	EAIRMHA0	164
4N32	202	EAILP05RDBA4	139	EAIRMHA1	164
4N33	202	EAILP05RDDA0	139	EAIRMHA2	172
4N35	214	EAILP05RDDA2	139	EAIRMIA0	164
4N36	214	EAILP05RDDA3	139	EAIRMIA1	173
4N37	214	EAILP05RDDA4	139	EAIRMIA2	173
4N38	214	EAILP05RDDA5	139	EAIRMJA0	173
6N135	205	EAILP05RDDA6	139	EAIRMJA1	164
6N136	205	EAILP05RDDA7	139	EAIRMJA2	173
6N137	206	EAILP05RDDA8	139	EAIRMKA0	174
6N138	206	EAILP05RDDA9	139	EAIRMKA1	170
6N139	206	EAILP05Rddb1	139	EAIRMKA2	170
CNY17-1	214	EAILP05Rddb2	139	EAIRMKA3	170
CNY17-2	214	EAILP05Rddb3	139	EAIRMLA0	163
CNY17-3	214	EAILP05Rddb4	139	EAIRMLA1	163
CNY17-4	214	EAILP05Rddb5	139	EAIRMLA2	170
CNY17F-1	214	EAILP05RDGA0	139	EAIRMLA3	170
CNY17F-2	214	EAILP05RDGA1	139	EAIRMLA4	170
CNY17F-3	214	EAILP05RDGA2	139	EAIRMMA0	172
CNY17F-4	214	EAILP05RDIA0	140	EAIRMMA1	172
CNY64	211	EAILP05RDLA0	140	EAI SA2522A0	148
CNY65	211	EAILP05RDLA1	140	EAI SG2522A0	148
EAALSDIC2012A0	186	EAILP05RDLA2	140	EAI SG2522A1	148
EAALSDIC2012A1	189	EAILP05RDMA0	140	EAI SR3216A0	145
EAALSDIC2012A2	187	EAILP05RDMA1	140	EAI SR3216A1	145
EAALSDIC2012A3	187	EAILP05RDMA2	140	EAI ST1608A0	144
EAALSDIC2020A0	189	EAILP05RDNA0	141	EAI ST1608A1	144
EAALSDIC3215A0	186	EAILP05RDOA0	141	EAI ST1608A2	144
EAALSDIC3215A1	186	EAI PL3528A0	147	EAI ST1708A0	144
EAALSDSY6444A0	187	EAI PL3528A1	147	EAI ST1708A1	144
EAALSIC05RDMA0	185	EAI PL3528A2	147	EAI ST2012A0	144
EAALST03RDAA0	184	EAI PL3528A3	147	EAI ST2012A1	144
EAALST05RDDA0	184	EAI RMAA0	174	EAI ST2219A0	149
EAALST05RDMA0	184	EAI RMBA0	163	EAI ST3015A0	143
EAALSTIC2012A0	188	EAI RMAA1	169	EAI ST3015A1	143
EAALSTIC1708A0	188	EAI RMAA2	163	EAI ST3015A2	143
EAALSIC05RDMA1	185	EAI RMAA3	169	EAI ST3122A0	148
EAALSTIC2012A1	188	EAI RMAA4	169	EAI ST3122A1	148
EACLST3227A0	190	EAI RMAA5	169	EAI ST3215A0	143
EACLST3227A1	190	EAI RMAA6	169	EAI ST3216A0	145
EACLST3227A2	190	EAI RMCA0	165	EAI ST3216A1	145
EAILP03RDAA0	138	EAI RMCA1	165	EAI ST3216A2	145
EAILP03RDAA1	138	EAI RMCA2	165	EAI ST3224A0	147
EAILP03RDAA2	138	EAI RMDA0	165	EAI ST3224A1	147
EAILP03RDAA3	138	EAI RMDA0-2	165	EAI SV1608A0	147
EAILP03RDAA4	138	EAI RMDA0-4	165	EAI SV1608A1	147
EAILP03RDAA5	138	EAI RMDA1	165	EAI SV2406A0	148
EAILP03RDAA6	138	EAI RMDA2	166	EAI SV3010A0	143
EAILP03RDAA7	138	EAI RMDA2-2	166	EAI SV3010A1	143
EAILP03RDAA8	138	EAI RMDA3	166	EAI SV3010A2	143
EAILP03RDAA9	138	EAI RMDA4	166	EAI SV3024A	146
EAILP03RDAB0	138	EAI RMDA5	167	EAI SV3024A0	146
EAILP03RDKA0	138	EAI RMEA0	167	EAI SV3024A1	146
EAILP03RDKA1	138	EAI RMEA1	167	EAI SZ2522A0	148

ALPHANUMERIC INDEX

INFRARED LED, SENSORS, COUPLERS

EAITRAA0	195	EAPLP05RDDA1	156	EL0601	204
EAITRAA1	195	EAPLP05RDEA0	156	EL060L	204
EAITRBA0	193	EAPLP05RDEA1	156	EL0611	204
EAITRBA1	193	EAPLP05RDP A0	157	EL0630	204
EAITRBA2	200	EAPLP05RDQA0	157	EL0631	204
EAITRBA4	200	EAPLRAA0	175	EL1010-G	213
EAITRBA5	194	EAPLRAA1	178	EL1012-G	213
EAITRBA6	194	EAPLRAA2	178	EL1013-G	213
EAITRCA0	195	EAPLRAA3	178	EL1014-G	213
EAITRCA1	196	EAPLRAA6	179	EL1017-G	213
EAITRCA2	196	EAPLRAA7	179	EL1018-G	213
EAITRCA3	197	EAPLRAA8	175	EL1019-G	213
EAITRCA4	191	EAPLRAA9	175	EL1110-G	214
EAITRCA5	191	EAPLRAB0	176	EL1112-G	214
EAITRCA6	191	EAPLRAB1	176	EL1113-G	214
EAITRCA7	191	EAPLRBA0	176	EL1114-G	214
EAITRCA8	192	EAPLRBA3	177	EL1116-G	214
EAITRCA9	192	EAPLTA0	179	EL1117-G	214
EAITRCB0	197	EAPLTA1	180	EL1118-G	214
EAITRDA0	197	EAPLTA2	182	EL1119-G	214
EAITRDA1	198	EAPLTA3	182	EL205	215
EAITRDA2	198	EAPLTA4	183	EL206	215
EAITRDA3	198	EAPLTA5	182	EL207	215
EAITRDA4	199	EAPLTA6	183	EL208	215
EAITRDA5	199	EAPLTA7	183	EL211	215
EAITRDA6	192	EAPLTA8	180	EL212	215
EAITRDA7	192	EAPLTBA0	181	EL213	215
EAITRDA8	193	EAPLTBA1	180	EL215	215
EAPDLP03RDAA0	150	EAPLTBA2	180	EL216	215
EAPDLP03RDAA1	150	EAPLTBA3	181	EL217	215
EAPDLP03RRCA0	151	EAPPL3527A0	161	EL2200	205
EAPDLP04SCAA0	151	EAPPL3527A1	162	EL2201	205
EAPDLP04SCAA1	151	EAPSR3216A0	160	EL2202	205
EAPDLP04SCAA2	151	EAPSR3216A1	160	EL250L	205
EAPDLP04SCAA3	151	EAPST1608A0	160	EL2530	205
EAPDLP04SCAA4	151	EAPST1608A1	160	EL2531	205
EAPDLP05RDDA0	150	EAPST2012A0	160	EL2601	206
EAPDLP05RDDA1	150	EAPST2012A1	160	EL260L	206
EAPDST3215A0	152	EAPST2520A0	162	EL2611	206
EAPDST3224A2	153	EAPST2520A1	162	EL2630	206
EAPDST3224A3	153	EAPST3015A0	159	EL2631	206
EAPDST3227A0	153	EAPST3215A0	159	EL3010	221
EAPDSV3020A0	152	EAPST3215A1	159	EL3010(P5)	220
EAPDSZ2120A0	154	EAPST3216A0	161	EL3011	221
EAPDSZ4439A0	154	EAPST3224A0	161	EL3011(P5)	220
EAPDSZ4439A1	154	EAPSV3010A0	159	EL3012	221
EAPDSZ4439A2	153	EAPSV3010A1	159	EL3012(P5)	220
EAPDSZ4439A3	154	EAPSV3224A0	161	EL3021	221
EAPDSZ4439A4	153	EAPSZ2520A0	162	EL3021(P5)	220
EAPLP02RRHA0	158	EAPSZ2520A1	162	EL3022	221
EAPLP03RDAA0	155	EAPSG2520A0	162	EL3022(P5)	220
EAPLP03RDAA1	155	EL0314	208	EL3023	221
EAPLP04RRAA0	157	EL0452	204	EL3023(P5)	220
EAPLP04RRAA1	157	EL0453	204	EL3031	221
EAPLP04RRAA2	158	EL0500	204	EL3031(P5)	220
EAPLP04RRAA3	158	EL0501	204	EL3032	221
EAPLP04RRKA0	158	EL050L	204	EL3032(P5)	220
EAPLP04RRKA1	158	EL0530	204	EL3033	221
EAPLP04RRLA1	158	EL0531	204	EL3033(P5)	220
EAPLP05RDDA0	155	EL0600	204	EL3041	221

ALPHANUMERIC INDEX

INFRARED LED, SENSORS, COUPLERS

EL3041(P5)	220	ELM3022	218	TIL113	202
EL3042	221	ELM3023	218	TIL117	214
EL3042(P5)	220	ELM3024	218		
EL3043	221	ELM3042	218		
EL3043(P5)	220	ELM3043	218		
EL3051	221	ELM3044	218		
EL3051(P5)	220	ELM3052	218		
EL3052	221	ELM3053	218		
EL3052(P5)	220	ELM3054	218		
EL3053	221	ELM3062	218		
EL3053(P5)	220	ELM3063	218		
EL3061	221	ELM3064	218		
EL3061(P5)	220	ELM3082	218		
EL3062	221	ELM3083	218		
EL3062(P5)	220	ELM3084	218		
EL3063	221	ELM452	203		
EL3063(P5)	220	ELM453	203		
EL3081	221	ELM453L	203		
EL3081(P5)	220	ELM600	203		
EL3082	221	ELM601	203		
EL3082(P5)	220	ELM611	203		
EL3083	221	ELQ3H7	217		
EL3083(P5)	220	ELT3021	219		
EL3120	209	ELT3022	219		
EL3140	209	ELT3023	219		
EL3150	209	ELT3041	219		
EL354N-G	211	ELT3042	219		
EL357N-G	212	ELT3043	219		
EL3H4-G	212	ELT3051	219		
EL3H7-G	213	ELT3052	219		
EL406A	222	ELT3053	219		
EL425A	222	ELT3061	219		
EL440A	222	ELT3062	219		
EL4502	205	ELT3063	219		
EL4503	205	ELT3081	219		
EL4504	205	ELT3082	219		
EL452-G	201	ELT3083	219		
EL460A	222	ELW135	207		
EL606A	222	ELW136	207		
EL617	210	ELW137	207		
EL625A	222	ELW2601	207		
EL640A	222	ELW2611	207		
EL660A	222	ELW3120	209		
EL814	210	ELW4503	207		
EL815	201	H11A1	214		
EL816	210	H11A2	214		
EL817	210	H11A3	214		
EL817-G	210	H11A4	214		
EL825	202	H11A5	214		
EL827	215	H11AA1	215		
EL847	217	H11AA2	215		
EL851	210	H11AA3	215		
EL852	201	H11AA4	215		
ELD205	216	H11B1	202		
ELD206	216	H11B2	202		
ELD207	216	H11B255	202		
ELD211	216	H11B3	202		
ELD213	216	H11L1	209		
ELD217	216	MCT2E	214		
ELD3H7	216	TIL111	214		

CONDITIONS OF RoHS

From July 1st, 2006, RoHS requires that all electrical equipment should not contain lead, mercury, cadmium, hexavalent chromium, polybrominated biphenyls (PBBs) or poly brominated diphenyl ethers (PBDEs), and the elements are restricted to certain amount (such as mercury in a wound lighting tube <5 mg, lead in CRT glass, soldering tin, etc.). Before the date every member of European Union must obey of environment on chemical regulation.



- According to RoHS part, the norm of restrict and limit used substance adopted by EVERLIGHT AMERICAS.

Name	Description	Criteria
Cadmium	Cadmium and its compounds must not be present in parts, components, materials or products. Cadmium and its compounds must not used as stabilizers, coloring agent or as a surface coating treatment in parts, components, materials or products.	< 5 ppm (Plastics) < 75 ppm (Metals)
Lead restrictions	Lead and/or lead compounds shall not be present in hardware components or parts, however, except solder, electrical components and interconnect materials. Lead carbonates and sulfates must not be used in any paint applied to parts, component, or products.	< 100 ppm (Plastics) < 1000 ppm (Others)
Mercury restrictions	Mercury must not be contained in any part, material, components or product, including, but not limited to switches, relays or electrical contacts. This restriction does not apply to lamps with less than 10 mg if mercury.	< 5 ppm
Hexavalent chromium (chromium VI) and hexavalent chromium compounds	Hexavalent chromium (chromium VI) and hexavalent chromium compounds must not be present in parts, components, materials or products.	< 2 ppm
Polybrominated Biphenyls (PBBs)	Plastics parts, components, materials and products must not contain Polybrominated Biphenyls as flame retardants, specific PBBs, but are not limited to those listed in attachment item.	< 5 ppm
Polybrominated Diphenyl Ethers (PBDEs)	Plastic parts, components, materials and products must not contain Polybrominated Diphenyl Ethers, known as flame retardants, specific PBBEs, including, but are not limited to, those listed in attachment item.	< 5 ppm

Compliant with the following condition :

- Please visit EVERLIGHT AMERICAS website for updated information about third party test reports and RoHS declarations.
(www.everlightamericas.com)

APPLICATION NOTICE

Since we are continuously improving all of our products, the information listed in this Catalogue, which includes specifications, characteristics, data, materials used, structure, etc., are subject to change without prior notice. It is necessary that you request the newest specification sheet from EVERLIGHT AMERICAS when you place any inquiry or purchase order.

Please carefully read the specification sheet, and confirm your acceptance of the content. EVERLIGHT AMERICAS does not accept any liabilities for damages occurred due to the customer's lack of confirming the newest product specification.

It is important to strictly follow the maximum limit and other important instructions listed on the specifications sheet when using EVERLIGHT AMERICAS's products. The following is a list of special notes for products used in specific applications. It is recommended that customers read the instructions carefully before installing the products. Again, EVERLIGHT AMERICAS does not accept any liabilities for any improper use of EVERLIGHT AMERICAS's product or failure to follow the instructions listed herein:

Special Instruction:

1. Products listed in this Catalogue are designed primarily for the application listed below:
A : Calculators
B : Measurement equipment
C : AV machines
D : QA machines
E : Operating machines
F : Consumer electronics
G : Telecommunications

While products meet the application listed above, additional attention is required when products are to be utilized in the instruments listed under Special Instruction Notes 2 and 3.

2. When high reliability and safety concerns are required, it is very important that the design be made to focus on safety and long term reliability. Special care should be given to assure that EVERLIGHT AMERICAS's products integrate and function properly with all other parts of the instrument. Instruments fall into these categories include:

A : Instruments attached to transportation tools
(aircraft, train, automobile)
B : Traffic signs
C : Gas leaking detectors and gas shutters
D : Fire detectors
E : Other safety detectors
3. When extremely high reliability and safety concerns are required, it is necessary that you contact EVERLIGHT AMERICAS for additional information before use. Instruments fall into these categories include:

A : Aerospace instruments
B : Telecommunication tools (main line)
C : Nuclear weapon controls
D : Medical instruments
4. Should you have any additional questions, please contact EVERLIGHT AMERICAS for details.

TECHNICAL DATA

HIGH POWER LED (EAHP3045 , EAHP3535, EAHP1215, EAHP2024, EAHP1313, EAHP1919)
A22, B05)

CIE BINNING RANKS

Cool-White Bin Coordinates

5000K				
Bin	50K-1	50K-2	50K-3	50K-4
CIE X	0.346	0.338	0.337	0.345
	0.345	0.337	0.337	0.344
	0.353	0.345	0.344	0.352
	0.355	0.346	0.345	0.353
CIE Y	0.369	0.362	0.349	0.356
	0.356	0.349	0.337	0.343
	0.362	0.356	0.343	0.349
	0.376	0.369	0.356	0.362

5700K				
Bin	57K-1	57K-2	57K-3	57K-4
CIE X	0.329	0.321	0.321	0.329
	0.329	0.321	0.322	0.329
	0.337	0.329	0.329	0.337
	0.338	0.329	0.329	0.337
CIE Y	0.354	0.346	0.335	0.342
	0.342	0.335	0.324	0.331
	0.349	0.342	0.331	0.337
	0.362	0.354	0.342	0.349

6500K				
Bin	65K-1	65K-2	65K-3	65K-4
CIE X	0.312	0.303	0.305	0.313
	0.313	0.305	0.307	0.315
	0.321	0.313	0.315	0.322
	0.321	0.312	0.313	0.321
CIE Y	0.339	0.330	0.321	0.329
	0.329	0.321	0.311	0.319
	0.337	0.329	0.319	0.326
	0.348	0.339	0.329	0.337

Warm-White Bin Coordinates

2700K				
Bin	27K-1	27K-2	27K-3	27K-4
CIE X	0.469	0.456	0.447	0.459
	0.459	0.447	0.437	0.448
	0.470	0.459	0.448	0.459
	0.481	0.469	0.459	0.470
CIE Y	0.429	0.426	0.408	0.410
	0.410	0.408	0.389	0.392
	0.413	0.410	0.392	0.394
	0.432	0.429	0.410	0.413

3000K				
Bin	30K-1	30K-2	30K-3	30K-4
CIE X	0.443	0.430	0.422	0.435
	0.435	0.422	0.415	0.426
	0.447	0.435	0.426	0.437
	0.456	0.443	0.435	0.447
CIE Y	0.421	0.417	0.399	0.403
	0.403	0.399	0.381	0.385
	0.408	0.403	0.385	0.389
	0.426	0.421	0.403	0.408

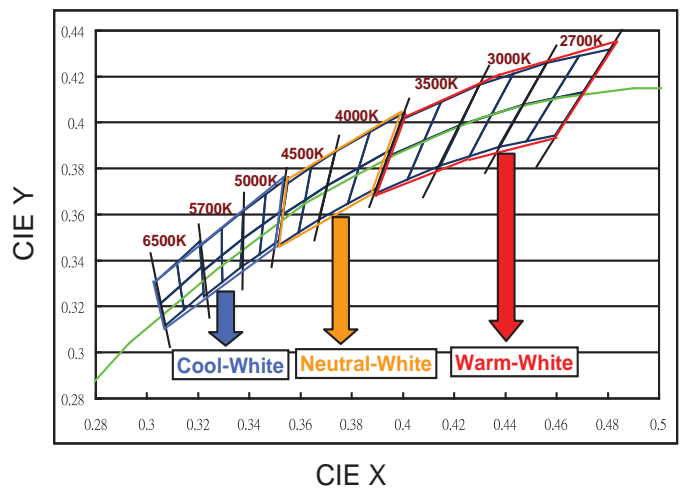
3500K				
Bin	35K-1	35K-2	35K-3	35K-4
CIE X	0.415	0.400	0.394	0.408
	0.408	0.394	0.389	0.402
	0.422	0.408	0.402	0.415
	0.430	0.415	0.408	0.422
CIE Y	0.409	0.402	0.385	0.392
	0.392	0.385	0.369	0.375
	0.399	0.392	0.375	0.381
	0.417	0.409	0.392	0.399

Natural-White Bin Coordinates

4000K				
Bin	40K-1	40K-2	40K-3	40K-4
CIE X	0.387	0.374	0.370	0.383
	0.383	0.370	0.367	0.378
	0.395	0.383	0.378	0.390
	0.401	0.387	0.383	0.395
CIE Y	0.396	0.387	0.373	0.380
	0.380	0.373	0.358	0.365
	0.388	0.380	0.365	0.372
	0.404	0.396	0.380	0.388

4500K				
Bin	45K-1	45K-2	45K-3	45K-4
CIE X	0.364	0.355	0.353	0.362
	0.362	0.353	0.351	0.359
	0.370	0.362	0.359	0.367
	0.374	0.364	0.362	0.370
CIE Y	0.381	0.374	0.360	0.366
	0.366	0.360	0.347	0.352
	0.373	0.366	0.352	0.358
	0.387	0.381	0.366	0.373

White Color Bin Structure



Chromaticity specification defined by ANSI

TECHNICAL DATA

HIGH POWER LED (EAHP3045 , EAHP1215, EAHP2024, EAHP1313, EAHP1919, EAHP3535 [COLOR])

BRIGHTNESS BINNING RANKS

EAHP3045/3535 (COLOR)

Wavelength (nm)

Group	Binning	Minimum Dominant	Maximum Dominant
		Wavelength (nm)	Wavelength (nm)
B Blue/ Royal- Blue	1	430	435
	2	435	440
	3	440	445
	4	445	450
	5	450	455
	6	455	460
	7	460	465
	8	465	470
G Green	1	520	525
	2	525	530
	3	530	535
	4	535	540
	5	540	545
	6	545	550
A Amber	1	580	582.5
	2	582.5	585
	3	585	587.5
	4	587.5	590
	5	590	592.5
	6	592.5	595
R Red	3	610	615
	4	615	620
	5	620	625
	6	625	630
	7	630	635
	1	635	640
	2	640	645
D Deep- Red	3	645	650
	4	650	655
	5	655	660
	6	660	665
	7	665	670
	8	670	675
	1	700	710
	2	710	715
F Far- Red	3	715	720
	4	720	725
	5	725	730
	6	730	735
	7	735	740
	8	740	745

EAHP1215, EAHP2024, EAHP1313, EAHP1919

Brightness (lm)

Luminous Flux Bins

Group	Binning	Minimum Photometric Flux (lm)	Maximum Photometric Flux (lm)
F	1	27	33
	2	33	39
	3	39	45
	4	45	52
	5	52	60
	6	60	70
	7	70	80
	8	80	90
	9	90	100
J	1	100	110
	2	110	120
	3	120	130
	4	130	140
	5	140	150
	6	150	160
	7	160	180
	8	180	200
	9	200	225
K	1	225	250
	2	250	275
	3	275	300
	4	300	325
	5	325	350
	6	350	375
	7	375	400
	8	400	425
	9	425	450
N	1	450	475
	2	475	500
	3	500	550
	4	550	600
	5	600	650
	6	650	700
	7	700	750
	8	750	800
	9	800	900
P	1	900	1000
	2	1000	1100
	3	1100	1200
	4	1200	1350
	5	1350	1500
	6	1500	1650
	7	1650	1800
	8	1800	2000
	9	2000	2200

TECHNICAL DATA

HIGH POWER LED (EAHP3045, EAHP3535 [COLOR]) FORWARD VOLTAGE BINNING RANKS

EAHP3045, EAHP3535 [COLOR]

Forward Voltage Bins

Group Name	Bins	
A	U1+U2+U3	
B	U2+U3+U4	
C	V1+V2+V3	
D	V2+V3+V4	
E	V3+V4+V5	
F	V1+V2	
G	V1	
Bin	Minimum Forward Voltage (V)	Maximum Forward Voltage (V)
U1	1.75	2.05
U2	2.05	2.35
U3	2.35	2.65
U4	2.65	2.95
V1	2.95	3.25
V2	3.25	3.55
V3	3.55	3.85
V4	3.85	4.15
V5	4.15	4.45

A22 (1W)

Forward Voltage Bins

Bin	Minimum Forward Voltage (V)	Maximum Forward Voltage (V)	
VD	13.5	14.7	
VE	14.7	15.9	
VF	VF-1	15.9	16.2
	VF-2	16.2	16.5
	VF-3	16.5	16.8
	VF-4	16.8	17.1
VG	VG-1	17.1	17.4
	VG-2	17.4	17.7
	VG-3	17.7	18.0
	VG-4	18.0	18.3

HIGH POWER LED (EAHP1215, EAHP2024 SERIES) FORWARD VOLTAGE BINNING RANKS

(EAHP1215, EAHP2024)

Forward Voltage Bins

Group	Binning	Minimum Forward Voltage(V)	Maximum Forward Voltage(V)
R	R1	9	10
	R2	10	11
	R3	11	12
	R4	12	13
	R5	13	14
	R6	14	15
	R7	15	16
	R8	16	17
	R9	17	18
T	T1	18	19
	T2	19	20
	T3	20	21
	T4	21	22
	T5	22	23
	T6	23	24
	T7	24	25
	T8	25	26
	T9	26	27
W	W1	27	29
	W2	29	31
	W3	31	33
	W4	33	35
	W5	35	37
	W6	37	39
	W7	39	41
	W8	41	43
	W9	43	45
X	X1	45	47
	X2	47	50
	X3	50	53
	X4	53	56
	X5	56	59
	X6	59	63
	X7	63	67
	X8	67	71
	X9	71	75
Y	Y1	75	79
	Y2	79	83
	Y3	83	88
	Y4	88	93
	Y5	93	98
	Y6	98	103
	Y7	103	108
	Y8	108	113

TECHNICAL DATA

For Lighting Application Only

LOW MIDDLE POWER LED - SMD TYPE CIE BINNING RANKS

Cool-White Bin Coordinates

5000K						
Bin	A	B	C	D	F	G
CIE X	0.3551	0.3464	0.3371	0.3533	0.3487	0.3482
	0.3464	0.3376	0.3366	0.3482	0.3425	0.3422
	0.3456	0.3371	0.3441	0.3477	0.3422	0.3418
	0.3487	0.3422	0.3448	0.3448	0.3482	0.3477
	0.3482	0.3425	0.3418	0.3441	--	--
CIE Y	0.3533	0.3456	0.3422	0.3515	--	--
	0.3760	0.3688	0.3493	0.3624	0.3629	0.3583
	0.3688	0.3616	0.3369	0.3583	0.3579	0.3533
	0.3604	0.3493	0.3428	0.3530	0.3533	0.3483
	0.3629	0.3533	0.3507	0.3507	0.3583	0.3530
	0.3583	0.3579	0.3483	0.3428	--	--
	0.3624	0.3604	0.3533	0.3487	--	--

5700K						
Bin	A	B	C	D	F	G
CIE X	0.3376	0.3292	0.3215	0.3371	0.3321	0.3321
	0.3292	0.3207	0.3222	0.3321	0.3261	0.3262
	0.3292	0.3215	0.3294	0.3320	0.3262	0.3263
	0.3321	0.3262	0.3293	0.3293	0.3321	0.3320
	0.3321	0.3261	0.3263	0.3294	--	--
	0.3371	0.3292	0.3262	0.3366	--	--
CIE Y	0.3616	0.3539	0.3353	0.3493	0.3490	0.3447
	0.3539	0.3462	0.3243	0.3447	0.3436	0.3395
	0.3464	0.3353	0.3306	0.3401	0.3395	0.3350
	0.3490	0.3395	0.3377	0.3377	0.3447	0.3401
	0.3447	0.3436	0.3350	0.3306	--	--
	0.3493	0.3464	0.3395	0.3369	--	--

6500K						
Bin	A	B	C	D	F	G
CIE X	0.3205	0.3117	0.3048	0.3213	0.3157	0.3161
	0.3117	0.3028	0.3068	0.3161	0.3093	0.3100
	0.3125	0.3048	0.3145	0.3166	0.3100	0.3106
	0.3157	0.3100	0.3136	0.3136	0.3161	0.3166
	0.3161	0.3093	0.3106	0.3145	--	--
	0.3213	0.3125	0.3100	0.3221	--	--
CIE Y	0.3481	0.3393	0.3209	0.3371	0.3360	0.3320
	0.3393	0.3304	0.3113	0.3320	0.3297	0.3259
	0.3328	0.3209	0.3187	0.3281	0.3259	0.3222
	0.3360	0.3259	0.3251	0.3251	0.3320	0.3281
	0.3320	0.3297	0.3222	0.3187	--	--
	0.3371	0.3328	0.3259	0.3261	--	--

Natural-White Bin Coordinates

4000K						
Bin	A	B	C	D	F	G
CIE X	0.4006	0.3871	0.3703	0.3952	0.3890	0.3873
	0.3871	0.3736	0.3670	0.3873	0.3793	0.3779
	0.3843	0.3703	0.3784	0.3854	0.3779	0.3764
	0.3890	0.3779	0.3810	0.3810	0.3873	0.3854
	0.3873	0.3793	0.3764	0.3784	--	--
CIE Y	0.3952	0.3843	0.3779	0.3898	--	--
	0.4044	0.3959	0.3726	0.3880	0.3887	0.3831
	0.3959	0.3874	0.3578	0.3831	0.3828	0.3773
	0.3858	0.3726	0.3647	0.3768	0.3773	0.3713
	0.3887	0.3773	0.3741	0.3741	0.3831	0.3768
	0.3831	0.3828	0.3713	0.3647	--	--
	0.3880	0.3858	0.3773	0.3716	--	--

4500K						
Bin	A	B	C	D	F	G
CIE X	0.3736	0.3642	0.3530	0.3703	0.3658	0.3648
	0.3642	0.3548	0.3512	0.3648	0.3592	0.3584
	0.3626	0.3530	0.3591	0.3637	0.3584	0.3575
	0.3658	0.3584	0.3607	0.3607	0.3648	0.3637
	0.3648	0.3592	0.3575	0.3591	--	--
	0.3703	0.3626	0.3584	0.3670	--	--
CIE Y	0.3874	0.3805	0.3601	0.3726	0.3738	0.3686
	0.3805	0.3736	0.3465	0.3686	0.3689	0.3640
	0.3714	0.3601	0.3522	0.3630	0.3640	0.3585
	0.3738	0.3640	0.3608	0.3608	0.3686	0.3630
	0.3686	0.3689	0.3585	0.3522	--	--
	0.3726	0.3714	0.3640	0.3578	--	--

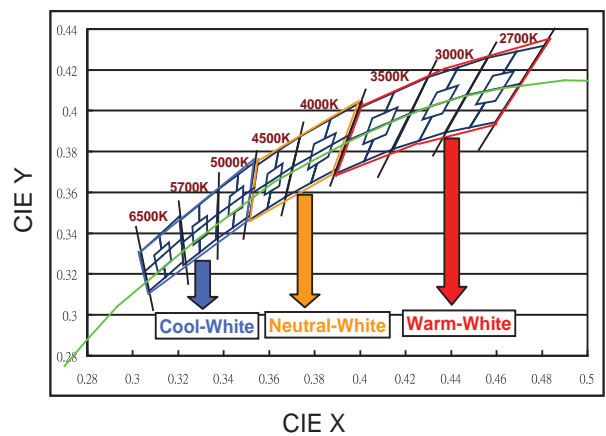
Warm-White Bin Coordinates

2700K						
Bin	A	B	C	D	F	G
CIE X	0.4813	0.4687	0.4465	0.4700	0.4667	0.4627
	0.4687	0.4562	0.4373	0.4627	0.4576	0.4539
	0.4621	0.4465	0.4483	0.4588	0.4539	0.4502
	0.4667	0.4539	0.4544	0.4544	0.4627	0.4588
	0.4627	0.4576	0.4502	0.4483	--	--
	0.4700	0.4621	0.4539	0.4593	--	--
CIE Y	0.4319	0.4289	0.4071	0.4126	0.4180	0.4109
	0.4289	0.4260	0.3893	0.4109	0.4158	0.4088
	0.4169	0.4071	0.3919	0.4041	0.4088	0.4020
	0.4180	0.4088	0.4030	0.4030	0.4109	0.4041
	0.4109	0.4158	0.4020	0.3919	--	--
	0.4126	0.4169	0.4088	0.3944	--	--

3000K						
Bin	A	B	C	D	F	G
CIE X	0.4562	0.4430	0.4221	0.4465	0.4422	0.4388
	0.4430	0.4299	0.4147	0.4388	0.4328	0.4297
	0.4375	0.4221	0.4259	0.4355	0.4297	0.4267
	0.4422	0.4297	0.4311	0.4311	0.4388	0.4355
	0.4388	0.4328	0.4267	0.4259	--	--
	0.4465	0.4375	0.4297	0.4373	--	--
CIE Y	0.4260	0.4212	0.3984	0.4071	0.4113	0.4043
	0.4212	0.4165	0.3814	0.4043	0.4079	0.4011
	0.4096	0.3984	0.3853	0.3977	0.4011	0.3946
	0.4113	0.4011	0.3962	0.3962	0.4043	0.3977
	0.4043	0.4079	0.3946	0.3853	--	--
	0.4071	0.4096	0.4011	0.3893	--	--

3500K						
Bin	A	B	C	D	F	G
CIE X	0.4299	0.4148	0.3943	0.4221	0.4159	0.4134
	0.4148	0.3996	0.3889	0.4134	0.4051	0.4029
	0.4106	0.3943	0.4018	0.4108	0.4029	0.4006
	0.4159	0.4029	0.4057	0.4057	0.4134	0.4108
	0.4134	0.4051	0.4006	0.4018	--	--
	0.4221	0.4106	0.4029	0.4147	--	--
CIE Y	0.4165	0.4090	0.3853	0.3984	0.4007	0.3943
	0.4090	0.4015	0.3690	0.3943	0.3954	0.3893
	0.3981	0.3853	0.3752	0.3878	0.3893	0.3829
	0.4007	0.3893	0.3853	0.3853	0.3943	0.3878
	0.3943	0.3954	0.3829	0.3752	--	--
	0.3984	0.3981	0.3893	0.3814	--	--

White Color Bin Structure



Chromaticity specification defined by ANSI

TECHNICAL DATA

For Lighting Application Only

LOW MIDDLE POWER LED - SURFACE MOUNT PLCC TYPE LED
BRIGHTNESS BINNING RANKS

Luminous Flux Bins

Unit : lm

Bin code	Range	
	Min.	Max.
D1	0.5	1.0
D2	1.0	1.5
D3	1.5	2.0
D4	2.0	2.5
D5	2.5	3.0
D6	3.0	3.5
D7	3.5	4.0
D8	4.0	4.5
D9	4.5	5.0
BA	5.0	5.5
B1	5.5	6.0
B2	6.0	6.5
B3	6.5	7.0
B4	7.0	7.5
B5	7.5	8.0
B6	8.0	8.5
B7	8.5	9.0
B8	9.0	9.5
B9	9.5	10.0
L1	10.0	11.0
L2	11.0	12.0
L3	12.0	13.0
L4	13.0	14.0
L5	14.0	15.0
L6	15.0	16.0
L7	16.0	17.0
L8	17.0	18.0
L9	18.0	19.0
M3	19.0	21.0
M4	21.0	24.0
N3	24.0	27.0
N4	27.0	33.0
P3	33.0	39.0
P4	39.0	45.0
Q3	45.0	52.0
NB	32.0	36.0
PA	36.0	40.0
PB	40.0	45.0
QA	45.0	50.0
R1	50.0	55.0
R2	55.0	60.0
R3	60.0	65.0
R4	65.0	70.0
R5	70.0	76.0
R6	76.0	83.0
R7	83.0	90.0
R8	90.0	100.0
S1	100.0	110.0
S2	110.0	120.0
S3	120.0	130.0

VF Group Bin Code

Unit : V

Forward Voltage Group	Bin	Min.	Max.	
B2	B42	35	2.80	2.90
		36	2.90	3.00
		37	3.00	3.10
		38	3.10	3.20
		39	3.20	3.30
		40	3.30	3.40
		41	3.40	3.50
		42	3.50	3.60

TECHNICAL DATA

SMD LED : SURFACE MOUNT CHIP LED (PCB TYPE) BRIGHTNESS BIN SELECTION

Luminous Intensity Groups

Unit : mcd

	C0: 0.28 ... 0.45	Q ▶	Q1: 72.0 ... 90.0
	D0: 0.45 ... 0.70		Q2: 90.0 ... 112
	E0: 0.70 ... 1.1	R ▶	R1: 112 ... 140
	F0: 1.1 ... 1.8		R2: 140 ... 180
	G0: 1.8 ... 2.8	S ▶	S1: 180 ... 225
	H0: 2.8 ... 4.5		S2: 225 ... 285
	J0: 4.5 ... 7.2	T ▶	T1: 285 ... 360
	K0: 7.2 ... 11.5		T2: 360 ... 450
L ▶	L1: 11.5 ... 14.5	U ▶	U1: 450 ... 565
	L2: 14.5 ... 18.0		U2: 565 ... 715
M ▶	M1: 18.0 ... 22.5		V0: 715 ... 1120
	M2: 22.5 ... 28.5		W0: 1120 ... 1800
N ▶	N1: 28.5 ... 36.0		X0: 1800 ... 2850
	N2: 36.0 ... 45.0		Y0: 2850 ... 4500
P ▶	P1: 45.0 ... 57.0		
	P2: 57.0 ... 72.0		

Note: The luminous intensity data did not include $\pm 15\%$ testing tolerance.

V_F (Forward Voltage Spec. Setup)

Unit : V

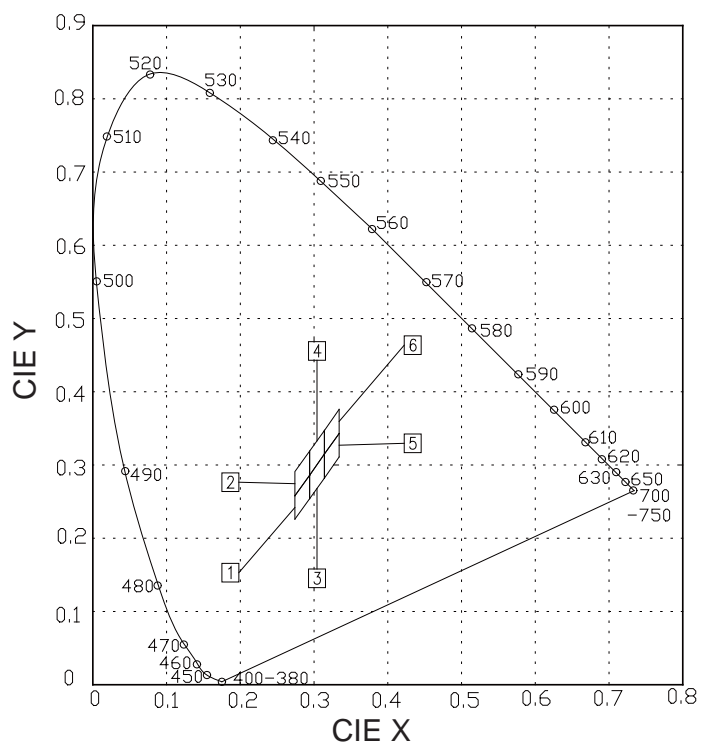
Forward Voltage Groups	Bin	Min.	Max.
	00	1.55	1.75
	0	1.75	1.95
	1	1.95	2.15
	2	2.15	2.35
	3	2.35	2.55
	4	2.55	2.75
	5	2.75	3.05
	6	3.05	3.35
	7	3.35	3.65
	8	3.65	3.95
	10	2.70	2.90
	11	2.90	3.10
	12	3.10	3.30
	13	3.30	3.50
	14	3.50	3.70
	15	2.70	2.85
	16	2.85	3.00
	17	3.00	3.15
	18	3.15	3.30

Note: The forward voltage data did not include $\pm 0.1V$ testing tolerance.

Bin Coordinate

Group	Bin Code	CIE_X	CIE_Y
A	1	0.274	0.226
		0.274	0.258
		0.294	0.286
		0.294	0.254
	2	0.274	0.258
		0.274	0.291
		0.294	0.319
		0.294	0.286
	3	0.294	0.254
		0.294	0.286
		0.314	0.315
		0.314	0.282
	4	0.294	0.286
		0.294	0.319
		0.314	0.347
		0.314	0.315
	5	0.314	0.282
		0.314	0.315
		0.334	0.343
		0.334	0.311
	6	0.314	0.315
		0.314	0.347
		0.334	0.376
		0.334	0.343

Bin Structure (White Light)



TECHNICAL DATA

For Lighting Application Only

SMD LED : SURFACE MOUNT PLCC LED (REFLECTOR) / LOW POWER LED
BRIGHTNESS BIN SELECTION

Luminous Intensity Groups

Unit : mcd

Bin Code	Min.	Max.	Bin Code	Min.	Max.
D1	0.5	1.0	NB	32.0	36.0
D2	1.0	1.5	PA	36.0	40.0
D3	1.5	2.0	PB	40.0	45.0
D4	2.0	2.5	QA	45.0	50.0
D5	2.5	3.0	R1	50.0	55.0
D6	3.0	3.5	R2	55.0	60.0
D7	3.5	4.0	R3	60.0	65.0
D8	4.0	4.5	R4	65.0	70.0
D9	4.5	5.0	R5	70.0	76.0
BA	5.0	5.5	R6	76.0	83.0
B1	5.5	6.0	R7	83.0	90.0
B2	6.0	6.5	R8	90.0	100.0
B3	6.5	7.0	S1	100.0	110.0
B4	7.0	7.5	S2	110.0	120.0
B5	7.5	8.0	S3	120.0	130.0
B6	8.0	8.5	S4	130.0	140.0
B7	8.5	9.0	S5	140.0	150.0
B8	9.0	9.5	S6	150.0	160.0
B9	9.5	10.0	S7	160.0	170.0
L1	10.0	11.0	S8	170.0	180.0
L2	11.0	12.0	T1	180.0	190.0
L3	12.0	13.0	T2	190.0	200.0
L4	13.0	14.0	T3	200.0	220.0
L5	14.0	15.0	T4	220.0	240.0
L6	15.0	16.0	T5	240.0	260.0
L7	16.0	17.0	T6	260.0	280.0
L8	17.0	18.0	T7	280.0	300.0
L9	18.0	19.0	T8	300.0	320.0
M3	19.0	21.0			
M4	21.0	24.0			
N3	24.0	27.0			
N4	27.0	33.0			
P3	33.0	39.0			
P4	39.0	45.0			
Q3	45.0	52.0			

V_F (Forward Voltage Spec. Setup)

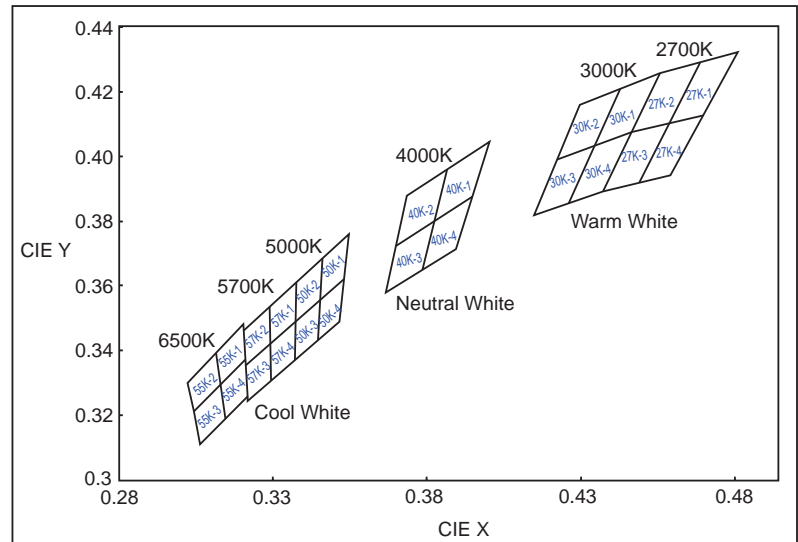
Unit : V (I_F=150mA)

Bin Group	Bin Code	Min.	Max.	
B42	B2	35	2.8	2.9
		36	2.9	3.0
		37	3.0	3.1
		38	3.1	3.2
		39	3.2	3.3
		40	3.3	3.4
		41	3.4	3.5
		42	3.5	3.6

Table of Color Rendering Index

Symbol	Description
M	CRI(Min.) : 60
N	CRI(Min.) : 65
L	CRI(Min.) : 70
Q	CRI(Min.) : 75
K	CRI(Min.) : 80
P	CRI(Min.) : 85
H	CRI(Min.) : 90

Bin Structure



TECHNICAL DATA

SMD LED (EAPL3810, EAPL4210, EAPL3020) BRIGHTNESS BIN SELECTION

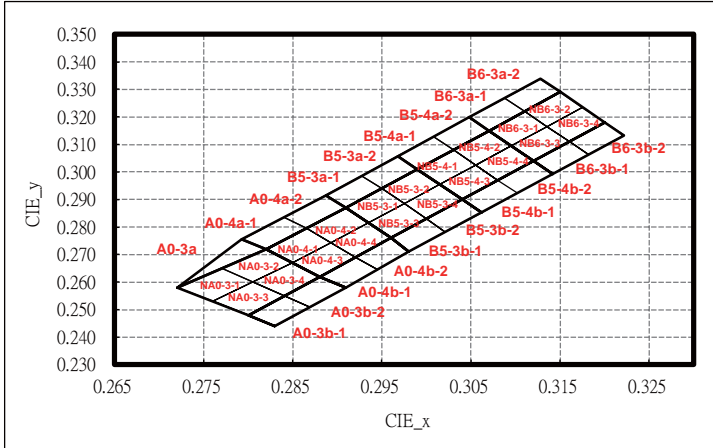
Bin Coordinate

CCT	Bin Code	CIE_x	CIE_y	Bin Code	CIE_x	CIE_y
6500K	65K-1	0.3205	0.3481	65K-3	0.3131	0.3290
		0.3117	0.3393		0.3048	0.3209
		0.3131	0.3290		0.3068	0.3113
		0.3213	0.3371		0.3145	0.3187
	65K-2	0.3117	0.3393	65K-4	0.3213	0.3371
		0.3028	0.3304		0.3131	0.3290
		0.3048	0.3209		0.3145	0.3187
		0.3131	0.3290		0.3221	0.3261
5700K	57K-1	0.3376	0.3616	57K-3	0.3293	0.3423
		0.3292	0.3539		0.3215	0.3353
		0.3293	0.3423		0.3222	0.3243
		0.3371	0.3493		0.3294	0.3306
	57K-2	0.3292	0.3539	57K-4	0.3371	0.3493
		0.3207	0.3462		0.3293	0.3423
		0.3215	0.3353		0.3294	0.3306
		0.3293	0.3423		0.3366	0.3369
5000K	50K-1	0.3551	0.3760	50K-3	0.3452	0.3558
		0.3464	0.3688		0.3371	0.3493
		0.3452	0.3558		0.3366	0.3369
		0.3533	0.3624		0.3441	0.3428
	50K-2	0.3464	0.3688	50K-4	0.3533	0.3624
		0.3376	0.3616		0.3452	0.3558
		0.3371	0.3493		0.3441	0.3428
		0.3452	0.3558		0.3515	0.3487
4000K	40K-1	0.4006	0.4044	40K-3	0.3828	0.3803
		0.3871	0.3959		0.3703	0.3726
		0.3828	0.3803		0.3670	0.3578
		0.3952	0.3880		0.3784	0.3647
	40K-2	0.3871	0.3959	40K-4	0.3952	0.3880
		0.3736	0.3874		0.3828	0.3803
		0.3703	0.3726		0.3784	0.3647
		0.3828	0.3803		0.3898	0.3716
3000K	30K-1	0.4562	0.4260	30K-3	0.4345	0.4033
		0.4431	0.4213		0.4223	0.3990
		0.4345	0.4033		0.4147	0.3814
		0.4468	0.4077		0.4260	0.3854
	30K-2	0.4431	0.4213	30K-4	0.4468	0.4077
		0.4299	0.4165		0.4345	0.4033
		0.4223	0.3990		0.4260	0.3854
		0.4345	0.4033		0.4373	0.3893
2700K	27K-1	0.4813	0.4319	27K-3	0.4585	0.4104
		0.4688	0.4290		0.4468	0.4077
		0.4585	0.4104		0.4373	0.3893
		0.4703	0.4132		0.4483	0.3919
	27K-2	0.4688	0.4290	27K-4	0.4703	0.4132
		0.4562	0.4260		0.4585	0.4104
		0.4468	0.4077		0.4483	0.3919
			0.4104			0.3944

TECHNICAL DATA

SMD LED (EAPL3810, EAPL4210, EAPL3020) BRIGHTNESS BIN SELECTION

Chromaticity Diagram



Bin Code of Chromaticity Coordinates

Bin Code	CIE_x	CIE_y	Bin Code	CIE_x	CIE_y	Bin Code	CIE_x	CIE_y	Bin Code	CIE_x	CIE_y				
NA0-3-1	0.2760	0.2530	NA0-3-2	0.2805	0.2600	NA0-4-1	0.2850	0.2670	NA0-4-2	0.2893	0.2743				
	0.2720	0.2580		0.2770	0.2650		0.2820	0.2720		0.2865	0.2795	0.2910	0.2870		
	0.2770	0.2650		0.2805	0.2600		0.2850	0.2670		0.2893	0.2743	0.2935	0.2815		
NA0-3-3	0.2800	0.2480	NA0-3-4	0.2840	0.2550	NA0-4-3	0.2880	0.2620	NA0-4-4	0.2920	0.2690				
	0.2760	0.2530		0.2805	0.2600		0.2850	0.2670		0.2893	0.2743	0.2935	0.2815		
	0.2805	0.2600		0.2850	0.2670		0.2880	0.2620		0.2920	0.2690	0.2960	0.2760		
A0-3b-1	0.2830	0.2440	A0-3b-2	0.2870	0.2510	A0-4b-1	0.2910	0.2580	A0-4b-2	0.2945	0.2645				
	0.2800	0.2480		0.2840	0.2550		0.2880	0.2620		0.2920	0.2690	0.2960	0.2760		
	0.2840	0.2550		0.2880	0.2620		0.2910	0.2580		0.2945	0.2645	0.2980	0.2710		
A0-4a-1	0.2820	0.2720	A0-4a-2	0.2865	0.2795	B5-3a-1	0.2910	0.2870	B5-3a-2	0.2950	0.2940				
	0.2793	0.2755		0.2840	0.2836		0.2887	0.2916		0.2928	0.2987	0.2990	0.3010		
	0.2840	0.2836		0.2887	0.2916		0.2950	0.2940		0.2928	0.2987	0.2990	0.3010		
A0-3a	0.2720	0.2580	NB5-3-1	0.2865	0.2795	NB5-3-1	0.2935	0.2815	NB5-3-2	0.2975	0.2885				
	0.2793	0.2755		0.2840	0.2836		0.2887	0.2916		0.2910	0.2870	0.2950	0.2940		
	0.2820	0.2720		0.2865	0.2795		0.2887	0.2916		0.2950	0.2940	0.2990	0.3010		
Bin Code	CIE_x	CIE_y	Bin Code	CIE_x	CIE_y	Bin Code	CIE_x	CIE_y	Bin Code	CIE_x	CIE_y				
	NB5-3-3	0.2960		0.2760	NB5-3-4		0.3000	0.2830		B5-4b-1	0.3062	0.2853	B5-4b-2	0.3102	0.2923
		0.2935		0.2815			0.2975	0.2885			0.3040	0.2900		0.3080	0.2970
0.2975		0.2885	0.3015	0.2955		0.3080	0.2970	0.3102	0.2923		0.3142	0.2993			
B5-3b-1	0.2980	0.2710	B5-3b-2	0.3021	0.2782	B6-3a-1	0.3070	0.3150	B6-3a-2	0.3110	0.3220				
	0.2960	0.2760		0.3000	0.2830		0.3048	0.3198		0.3088	0.3268	0.3128	0.3338		
	0.3000	0.2830		0.3040	0.2900		0.3088	0.3268		0.3110	0.3220	0.3150	0.3290		
B5-4a-1	0.2990	0.3010	B5-4a-2	0.3030	0.3080	NB6-3-1	0.3095	0.3095	NB6-3-2	0.3135	0.3165				
	0.2968	0.3058		0.3008	0.3128		0.3070	0.3150		0.3110	0.3220	0.3150	0.3290		
	0.3008	0.3128		0.3048	0.3198		0.3110	0.3220		0.3135	0.3165	0.3175	0.3235		
NB5-4-1	0.3015	0.2955	NB5-4-2	0.3055	0.3025	NB6-3-3	0.3120	0.3040	NB6-3-4	0.3160	0.3110				
	0.2990	0.3010		0.3030	0.3080		0.3095	0.3095		0.3135	0.3165	0.3175	0.3235		
	0.3030	0.3080		0.3070	0.3150		0.3160	0.3110		0.3160	0.3110	0.3200	0.3180		
NB5-4-3	0.3040	0.2900	NB5-4-4	0.3080	0.2970	B6-3b-1	0.3142	0.2993	B6-3b-2	0.3182	0.3063				
	0.3015	0.2955		0.3055	0.3025		0.3120	0.3040		0.3160	0.3110	0.3200	0.3180		
	0.3055	0.3025		0.3095	0.3095		0.3160	0.3110		0.3182	0.3063	0.3222	0.3133		

TECHNICAL DATA

SMD LED (EAPL3810, EAPL4210, EAPL3020) BRIGHTNESS BIN SELECTION

Luminous Intensity Groups

Unit : mcd

Bin	Min.	Max.	Bin	Min.	Max.	Bin	Min.	Max.
01	500	600	23	1250	1300	45	2500	2600
02	600	630	24	1300	1350	46	2600	2700
03	630	660	25	1350	1400	47	2700	2800
04	660	690	26	1400	1450	48	2800	2900
05	690	720	27	1450	1500	49	2900	3000
06	720	750	28	1500	1550	50	3000	3100
07	750	780	29	1550	1600	51	3100	3200
08	780	810	30	1600	1650			
09	810	840	31	1650	1700			
10	840	870	32	1700	1750			
11	870	900	33	1750	1800			
12	900	930	34	1800	1850			
13	930	960	35	1850	1900	H42	2200	2250
14	960	990	36	1900	1950	H43	2250	2300
15	990	1020	37	1950	2000	H44	2300	2350
16	1020	1050	38	2000	2050	H45	2350	2400
17	1050	1080	39	2050	2100	H46	2400	2450
18	1080	1110	40	2100	2150	H47	2450	2500
19	1110	1140	41	2150	2200	H48	2500	2550
20	1140	1170	42	2200	2300	H49	2550	2600
21	1170	1200	43	2300	2400	H50	2600	2650
22	1200	1250	44	2400	2500	H51	2650	2700

Note: Tolerance of Luminous Intensity: $\pm 7\%$.

Luminous Flux

Unit : lm

Bin	Min.	Max.
40	4.00	4.25
42	4.25	4.50
45	4.50	4.75
47	4.75	5.00
50	5.00	5.25
52	5.25	5.50
55	5.50	5.75
57	5.75	6.00
60	6.00	6.25
62	6.25	6.50
65	6.50	6.75
67	6.75	7.00
70	7.00	7.25
72	7.25	7.50
75	7.50	7.75
77	7.75	8.00
80	8.00	8.25
82	8.25	8.50

V_F (Forward Voltage Spec. Setup)

Unit : V

Groups								Bin	Min.	Max.	Groups				Bin	Min.	Max.	Groups				Bin	Min.	Max.										
0	1	2	3	4	5	6	7	8	D	P	A	G	9	6-1	2.95	3.05	6-1-1	2.95	3.00	6-11	3.00	3.05												
														6-2	3.05	3.15							6-1-2	3.00	3.05	6-2	3.05	3.15						
	7-1	3.15	3.25	6-2-1	3.05	3.10	7-1	3.15						3.25																				
	7-2	3.25	3.35	6-2-2	3.10	3.15	7-2	3.25						3.35																				
	8-1	3.35	3.45	7-1-1	3.15	3.20	8-1	3.35						3.45																				
	8-2	3.45	3.55	7-1-2	3.20	3.25	8-2	3.45						3.50																				
	9-1	3.55	3.65	7-2-1	3.25	3.30	9-1	3.55						3.65																				
	9-2	3.65	3.75	7-2-2	3.30	3.35	9-2	3.65						3.75																				

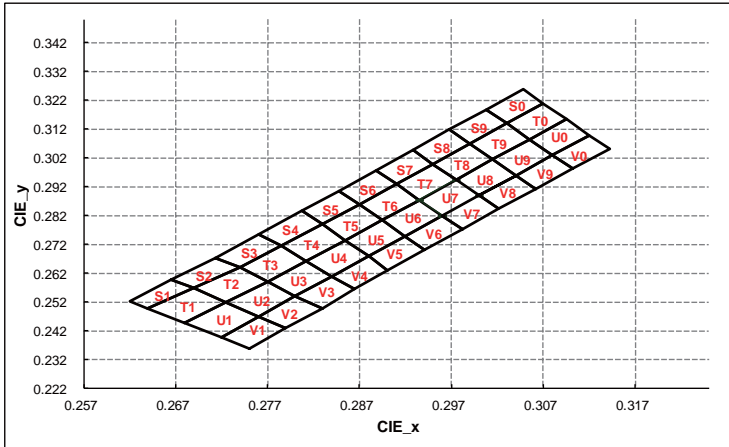
Groups												Bin	Min.	Max.	
W	S	R	L	N	B	C	K	H	E	Q	F	Y	4-2-3	2.7	2.8
													5-1-3	2.8	2.9
													5-2-3	2.9	3.0
													6-1-3	3.0	3.1
													6-2-3	3.1	3.2
													7-1-3	3.2	3.3
													7-2-3	3.3	3.4
													8-1-3	3.4	3.5

Note: Tolerance of Forward Voltage: $\pm 0.05V$.

TECHNICAL DATA

SMD LED (EAPL38108) BRIGHTNESS BIN SELECTION

Chromaticity Diagram



Bin Code of Chromaticity Coordinates

Bin	CIE_x	CIE_y	Bin	CIE_x	CIE_y	Bin	CIE_x	CIE_y	Bin	CIE_x	CIE_y	Bin	CIE_x	CIE_y		
S1	0.2665	0.2600	S2	0.2713	0.2675	S3	0.2740	0.2640	S4	0.2785	0.2715	S5	0.2830	0.2790		
	0.2690	0.2570		0.2740	0.2640		0.2713	0.2675		0.2760	0.2756		0.2760	0.2756	0.2807	0.2836
	0.2640	0.2500		0.2690	0.2570		0.2760	0.2756		0.2807	0.2836		0.2830	0.2790	0.2848	0.2907
	0.2620	0.2525		0.2665	0.2600		0.2785	0.2715		0.2830	0.2790		0.2870	0.2860	0.2870	0.2860
T1	0.2680	0.2450	T2	0.2725	0.2520	T3	0.2770	0.2590	T4	0.2813	0.2663	T5	0.2855	0.2735		
	0.2640	0.2500		0.2690	0.2570		0.2740	0.2640		0.2785	0.2715		0.2785	0.2715	0.2830	0.2790
	0.2690	0.2570		0.2740	0.2640		0.2785	0.2715		0.2830	0.2790		0.2830	0.2790	0.2870	0.2860
	0.2725	0.2520		0.2770	0.2590		0.2813	0.2663		0.2855	0.2735		0.2855	0.2735	0.2895	0.2805
U1	0.2720	0.2400	U2	0.2760	0.2470	U3	0.2800	0.2540	U4	0.2840	0.2610	U5	0.2880	0.2680		
	0.2680	0.2450		0.2725	0.2520		0.2770	0.2590		0.2813	0.2663		0.2813	0.2663	0.2855	0.2735
	0.2725	0.2520		0.2770	0.2590		0.2813	0.2663		0.2855	0.2735		0.2855	0.2735	0.2895	0.2805
	0.2760	0.2470		0.2800	0.2540		0.2840	0.2610		0.2880	0.2680		0.2880	0.2680	0.2920	0.2750
V1	0.2750	0.2360	V2	0.2790	0.2430	V3	0.2830	0.2500	V4	0.2865	0.2565	V5	0.2900	0.2630		
	0.2720	0.2400		0.2760	0.2470		0.2800	0.2540		0.2840	0.2610		0.2840	0.2610	0.2880	0.2680
	0.2760	0.2470		0.2800	0.2540		0.2840	0.2610		0.2880	0.2680		0.2880	0.2680	0.2920	0.2750
	0.2790	0.2430		0.2830	0.2500		0.2865	0.2565		0.2900	0.2630		0.2900	0.2630	0.2941	0.2702
S6	0.2870	0.2860	S7	0.2910	0.2930	S8	0.2950	0.3000	S9	0.2990	0.3070	S0	0.3030	0.3140		
	0.2848	0.2907		0.2888	0.2978		0.2928	0.3048		0.2968	0.3118		0.2968	0.3118	0.3008	0.3188
	0.2888	0.2978		0.2928	0.3048		0.2968	0.3118		0.3008	0.3188		0.3008	0.3188	0.3048	0.3258
	0.2910	0.2930		0.2950	0.3000		0.2990	0.3070		0.3030	0.3140		0.3030	0.3140	0.3070	0.3210
T6	0.2895	0.2805	T7	0.2935	0.2875	T8	0.2975	0.2945	T9	0.3015	0.3015	T0	0.3055	0.3085		
	0.2870	0.2860		0.2910	0.2930		0.2950	0.3000		0.2990	0.3070		0.2990	0.3070	0.3030	0.3140
	0.2910	0.2930		0.2950	0.3000		0.2990	0.3070		0.3030	0.3140		0.3030	0.3140	0.3070	0.3210
	0.2935	0.2875		0.2975	0.2945		0.3015	0.3015		0.3055	0.3085		0.3055	0.3085	0.3095	0.3155
U6	0.2920	0.2750	U7	0.2960	0.2820	U8	0.3000	0.2890	U9	0.3040	0.2960	U0	0.3080	0.3030		
	0.2895	0.2805		0.2935	0.2875		0.2975	0.2945		0.3015	0.3015		0.3015	0.3015	0.3055	0.3085
	0.2935	0.2875		0.2975	0.2945		0.3015	0.3015		0.3055	0.3085		0.3055	0.3085	0.3095	0.3155
	0.2960	0.2820		0.3000	0.2890		0.3040	0.2960		0.3080	0.3030		0.3080	0.3030	0.3120	0.3100
V6	0.2941	0.2702	V7	0.2982	0.2773	V8	0.3000	0.2890	V9	0.3062	0.2913	V0	0.3102	0.2983		
	0.2920	0.2750		0.2960	0.2820		0.3040	0.2960		0.3040	0.2960		0.3040	0.2960	0.3080	0.3030
	0.2960	0.2820		0.3000	0.2890		0.3062	0.2913		0.3080	0.3030		0.3080	0.3030	0.3120	0.3100
	0.2982	0.2773		0.3022	0.2843		0.3022	0.2843		0.3102	0.2983		0.3102	0.2983	0.3142	0.3053

TECHNICAL DATA

SMD LED (EAPL3810) BRIGHTNESS BIN SELECTION

Luminous Intensity Groups

Unit : mcd

Bin	Min.	Max.	Bin	Min.	Max.	Bin	Min.	Max.
01	500	600	1	0	50	45	0	100
02	600	630	2	50	100	46	100	200
03	630	660	3	100	150	47	200	300
04	660	690	4	150	200	48	300	400
05	690	720	5	200	250	49	400	500
06	720	750	28	250	300	50	500	600
07	750	780	29	300	350	51	600	700
08	780	810	30	350	400	52	700	800
09	810	840	31	400	450	H40	2100	2150
10	840	870	32	450	500	H41	2150	2200
11	870	900	33	500	550	H42	2200	2250
12	900	930	34	550	600	H43	2250	2300
13	930	960	35	600	650	H44	2300	2350
14	960	990	36	650	700	H45	2350	2400
15	990	1020	37	700	750	H46	2400	2450
16	1020	1050	38	750	800	H47	2450	2500
17	1050	1080	39	800	850	H48	2500	2550
18	1080	1110	40	850	900	H49	2550	2600
19	1110	1140	41	900	950	H50	2600	2650
20	1140	1170	42	950	1050	H51	2650	2700
21	1170	1200	43	1050	1150	H52	2700	2750

Note: Tolerance of Luminous Intensity: $\pm 7\%$.

Luminous Flux

Unit : lm

Bin	Min.	Max.
40	4.00	4.25
42	4.25	4.50
45	4.50	4.75
47	4.75	5.00
50	5.00	5.25
52	5.25	5.50
55	5.50	5.75
57	5.75	6.00
60	6.00	6.25
62	6.25	6.50
65	6.50	6.75
67	6.75	7.00
70	7.00	7.25
72	7.25	7.50
75	7.50	7.75
77	7.75	8.00
80	8.00	8.25
82	8.25	8.50

V_F (Forward Voltage Spec. Setup)

Unit : V

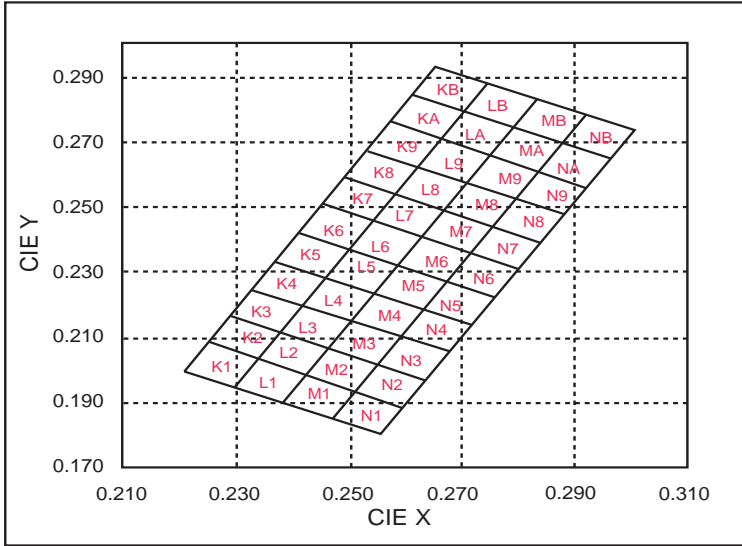
Bin	Min.	Max.
A	2.70	2.75
B	2.75	2.80
C	2.80	2.85
D	2.85	2.90
E	2.90	2.95
F	2.95	3.00
G	3.00	3.05
H	3.05	3.10
I	3.10	3.15
J	3.15	3.20
K	3.20	3.25
L	3.25	3.30
M	3.30	3.35
N	3.35	3.40
O	3.40	3.45
P	3.45	3.50
Q	3.50	3.55
R	3.55	3.60
S	3.60	3.65
T	3.65	3.70
U	3.70	3.75
V	3.75	3.80

Note: Tolerance of Forward Voltage: $\pm 0.05V$.

TECHNICAL DATA

SMD LED (ELHP5630 SERIES) BRIGHTNESS BIN SELECTION

Chromaticity Diagram



Bin Code of Chromaticity Coordinates

Bin	CIE_x	CIE_y	Bin	CIE_x	CIE_y	Bin	CIE_x	CIE_y	Bin	CIE_x	CIE_y	Bin	CIE_x	CIE_y	Bin	CIE_x	CIE_y	Bin	CIE_x	CIE_y		
KY	0.2165	0.1914	KZ	0.2206	0.1998	K1	0.2247	0.2082	K2	0.2288	0.2166	K3	0.2329	0.2250	K4	0.2457	0.2287	K5	0.2410	0.2419		
	0.2124	0.1829		0.2165	0.1913		0.2206	0.1997		0.2247	0.2082		0.2288	0.2166		0.2329	0.2250		0.2416	0.2202	0.2370	0.2335
	0.2211	0.1781		0.2252	0.1865		0.2293	0.1949		0.2334	0.2034		0.2375	0.2118		0.2416	0.2202		0.2370	0.2335	0.2497	0.2371
	0.2252	0.1866		0.2293	0.1950		0.2334	0.2034		0.2375	0.2118		0.2416	0.2202		0.2544	0.2239		0.2497	0.2371		
LY	0.2252	0.1866	LZ	0.2293	0.1950	L1	0.2334	0.1949	L2	0.2375	0.2118	L3	0.2416	0.2202	L4	0.2544	0.2239	L5	0.2497	0.2371		
	0.2211	0.1781		0.2252	0.1865		0.2293	0.1949		0.2334	0.2034		0.2375	0.2118		0.2416	0.2202		0.2544	0.2239	0.2497	0.2371
	0.2298	0.1733		0.2339	0.1817		0.2380	0.1901		0.2421	0.1986		0.2462	0.2070		0.2503	0.2154		0.2631	0.2191	0.2584	0.2323
	0.2339	0.1818		0.2380	0.1902		0.2421	0.1986		0.2462	0.2070		0.2503	0.2154		0.2631	0.2191		0.2584	0.2323		
MY	0.2339	0.1818	MZ	0.2380	0.1817	M1	0.2421	0.1986	M2	0.2462	0.1986	M3	0.2503	0.2154	M4	0.2590	0.2106	M5	0.2631	0.2191		
	0.2298	0.1733		0.2339	0.1817		0.2380	0.1901		0.2421	0.1986		0.2462	0.2070		0.2503	0.2154		0.2631	0.2191	0.2584	0.2323
	0.2385	0.1685		0.2426	0.1769		0.2467	0.1854		0.2508	0.1938		0.2549	0.2022		0.2590	0.2106		0.2671	0.2275		
	0.2426	0.1770		0.2467	0.1854		0.2508	0.1938		0.2549	0.2022		0.2590	0.2106		0.2671	0.2275					
NY	0.2426	0.1770	NZ	0.2467	0.1854	N1	0.2508	0.1938	N2	0.2549	0.2022	N3	0.2590	0.2106	N4	0.2718	0.2143	N5	0.2671	0.2275		
	0.2385	0.1685		0.2426	0.1769		0.2467	0.1853		0.2508	0.1938		0.2549	0.2022		0.2590	0.2106		0.2671	0.2275		
	0.2472	0.1637		0.2513	0.1721		0.2554	0.1805		0.2595	0.1890		0.2636	0.1974		0.2677	0.2058		0.2718	0.2143		
	0.2513	0.1722		0.2554	0.1806		0.2595	0.1890		0.2636	0.1974		0.2677	0.2058		0.2631	0.2191		0.2758	0.2227		

Bin	CIE_x	CIE_y	Bin	CIE_x	CIE_y	Bin	CIE_x	CIE_y	Bin	CIE_x	CIE_y	Bin	CIE_x	CIE_y	Bin	CIE_x	CIE_y		
K6	0.2451	0.2504	K7	0.2492	0.2588	K8	0.2533	0.2672	K9	0.2574	0.2757	KA	0.2615	0.2842	KB	0.2656	0.2927		
	0.2410	0.2419		0.2451	0.2504		0.2492	0.2588		0.2533	0.2672		0.2574	0.2757		0.2615	0.2842	0.2656	0.2927
	0.2497	0.2371		0.2538	0.2456		0.2579	0.2540		0.2620	0.2624		0.2661	0.2709		0.2702	0.2794	0.2743	0.2879
	0.2538	0.2456		0.2579	0.2540		0.2620	0.2624		0.2661	0.2709		0.2702	0.2794		0.2743	0.2879		
L6	0.2497	0.2371	L7	0.2538	0.2456	L8	0.2579	0.2540	L9	0.2620	0.2624	LA	0.2661	0.2709	LB	0.2702	0.2794		
	0.2584	0.2323		0.2625	0.2408		0.2666	0.2492		0.2707	0.2576		0.2748	0.2661		0.2789	0.2746	0.2830	0.2831
	0.2625	0.2408		0.2666	0.2492		0.2707	0.2576		0.2748	0.2661		0.2789	0.2746		0.2830	0.2831		
	0.2625	0.2408		0.2666	0.2492		0.2707	0.2576		0.2748	0.2661		0.2789	0.2746		0.2830	0.2831		
M6	0.2584	0.2323	M7	0.2625	0.2408	M8	0.2666	0.2492	M9	0.2707	0.2576	MA	0.2748	0.2661	MB	0.2789	0.2746		
	0.2671	0.2275		0.2712	0.2360		0.2753	0.2444		0.2794	0.2528		0.2835	0.2613		0.2876	0.2698	0.2917	0.2783
	0.2712	0.2360		0.2753	0.2444		0.2794	0.2528		0.2835	0.2613		0.2876	0.2698		0.2917	0.2783		
	0.2712	0.2360		0.2753	0.2444		0.2794	0.2528		0.2835	0.2613		0.2876	0.2698		0.2917	0.2783		
N6	0.2671	0.2275	N7	0.2712	0.2360	N8	0.2753	0.2444	N9	0.2794	0.2528	NA	0.2835	0.2613	NB	0.2876	0.2698		
	0.2758	0.2227		0.2799	0.2312		0.2840	0.2396		0.2881	0.2480		0.2922	0.2565		0.2963	0.2650	0.3004	0.2735
	0.2799	0.2312		0.2840	0.2396		0.2881	0.2480		0.2922	0.2565		0.2963	0.2650					
	0.2799	0.2312		0.2840	0.2396		0.2881	0.2480		0.2922	0.2565		0.2963	0.2650					

TECHNICAL DATA

SMD LED (ELHP5630 SERIES) BRIGHTNESS BIN SELECTION

Luminous Flux

Unit : lm

1 lm / Bin									2 lm / Bin					
Bin	CIE_x	CIE_y	Bin	CIE_x	CIE_y	Bin	CIE_x	CIE_y	Bin	CIE_x	CIE_y	Bin	CIE_x	CIE_y
18	18	19	18	18	19	18	18	19	T18	18	20	T50	50	52
19	19	20	19	19	20	19	19	20	T20	20	22	T52	52	54
20	20	21	20	20	21	20	20	21	T22	22	24	T54	54	56
21	21	22	21	21	22	21	21	22	T24	24	26	T56	56	58
22	22	23	22	22	23	22	22	23	T26	26	28	T58	58	60
23	23	24	23	23	24	23	23	24	T28	28	30	T60	60	62
24	24	25	24	24	25	24	24	25	T30	30	32	T62	62	64
25	25	26	25	25	26	25	25	26	T32	32	34	T64	64	66
26	26	27	26	26	27	26	26	27	T34	34	36	T66	66	68
27	27	28	27	27	28	27	27	28	T36	36	38	T68	68	70
28	28	29	28	28	29	28	28	29	T38	38	40	T70	70	72
29	29	30	29	29	30	29	29	30	T40	40	42	T72	72	74
30	30	31	30	30	31	30	30	31	T42	42	44	T74	74	76
31	31	32	31	31	32	31	31	32	T44	44	46	T76	76	78
32	32	33	32	32	33	32	32	33	T46	46	48	T78	78	80
33	33	34	33	33	34	33	33	34	T48	48	50	T80	80	82

Note: Tolerance of Luminous Intensity: $\pm 7\%$.

V_F (Forward Voltage Spec. Setup)

Unit : V

Single Chip			Two Chips					
Bin	Min.	Max.	Parallel			Serial		
			Bin	Min.	Max.	Bin	Min.	Max.
A	2.9	3.0	PA	2.9	3.0	S8	5.8	6.0
B	3.0	3.1	PB	3.0	3.1	S9	6.0	6.2
C	3.1	3.2	PC	3.1	3.2	SA	6.2	6.4
D	3.2	3.3	PD	3.2	3.3	SB	6.4	6.6
E	3.3	3.4	PE	3.3	3.4	SC	6.6	6.8
F	3.4	3.5	PF	3.4	3.5	SD	6.8	7.0
G	3.5	3.6	PG	3.5	3.6	SE	7.0	7.2

Note: Tolerance of Forward Voltage: $\pm 0.05V$.

TECHNICAL DATA

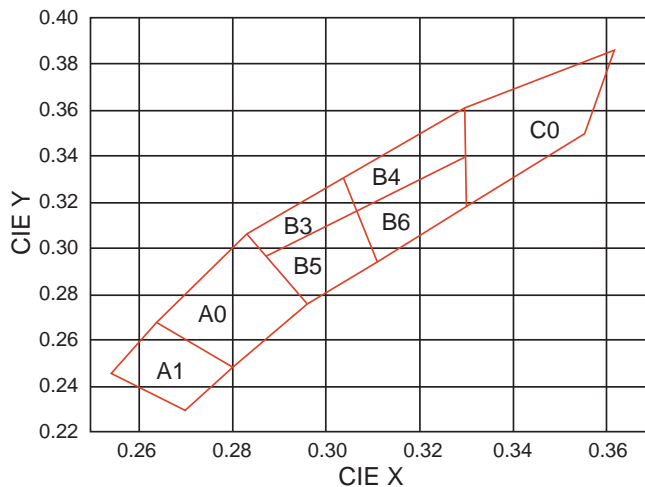
AUTOMOTIVE LED : SMD LED BRIGHTNESS BIN SELECTION

Bin Range of Chromaticity Coordinates

($I_f=20\text{mA}$ / $T_a=25^\circ\text{C}$)

Color Ranks		CIE			
A1	X	0.255	0.264	0.280	0.270
	Y	0.245	0.267	0.248	0.230
A0	X	0.264	0.283	0.296	0.280
	Y	0.267	0.305	0.267	0.248
B3	X	0.283	0.304	0.307	0.287
	Y	0.305	0.330	0.315	0.295
B4	X	0.304	0.330	0.330	0.307
	Y	0.330	0.360	0.339	0.315
B5	X	0.287	0.307	0.311	0.296
	Y	0.295	0.315	0.294	0.276
B6	X	0.307	0.330	0.330	0.311
	Y	0.315	0.339	0.318	0.294
C0	X	0.330	0.361	0.355	0.330
	Y	0.360	0.385	0.350	0.318

Note: Measurement uncertainty of the color coordinates ± 0.01 .



Bin Range of Luminous Intensity

Unit : mcd

Group	Bin	Min	Max
C	C1	0.28	0.36
	C2	0.36	0.45
D	D1	0.45	0.56
	D2	0.56	0.71
E	E1	0.71	0.9
	E2	0.9	1.12
F	F1	1.12	1.4
	F2	1.4	1.8
G	G1	1.8	2.24
	G2	2.24	2.8
H	H1	2.8	3.55
	H2	3.55	4.5
J	J1	4.5	5.6
	J2	5.6	7.1
K	K1	7.1	9
	K2	9	11.2
L	L1	11.2	14
	L2	14	18
M	M1	18	22.4
	M2	22.4	28
N	N1	28	35.5
	N2	35.5	45
P	P1	45	56
	P2	56	71
Q	Q1	71	90
	Q2	90	112
R	R1	112	140
	R2	140	180
S	S1	180	224
	S2	224	280
T	T1	280	355
	T2	355	450
U	U1	450	560
	U2	560	710
V	V1	710	900
	V2	900	1120
AW	AA	1120	1400
	AB	1400	1800
BW	BA	1800	2240
	BB	2240	2800
CW	CA	2800	3550
	CB	3550	4500
DW	DA	4500	5600
	DB	5600	7100
EW	EA	7100	9000
	EB	9000	11200
FW	FA	11200	14000
	FB	14000	18000
GW	GA	18000	22400
	GB	22400	28000
HW	HA	28000	35500
	HB	35500	45000
IW	IA	45000	56000
	IB	56000	71000

TECHNICAL DATA

AUTOMOTIVE LED : HIGH POWER LED (EHP-A09K) CIE BINNING RANKS

Cool White (Production Spec)

4500~5000K

Rank	CIE_x	CIE_y	Rank	CIE_x	CIE_y	Condition
U4	0.364	0.383	U7	0.344	0.344	I _F = 150mA
	0.367	0.400		0.343	0.331	
	0.348	0.385		0.357	0.343	
	0.347	0.372		0.360	0.357	
U5	0.364	0.383	U8	0.342	0.320	
	0.362	0.372		0.343	0.331	
	0.346	0.359		0.357	0.343	
	0.347	0.372		0.355	0.330	
U6	0.362	0.372	U9	0.342	0.320	
	0.360	0.357		0.355	0.330	
	0.344	0.344		0.353	0.315	
	0.346	0.359		0.341	0.305	

4500~5000K

Rank	CIE_x	CIE_y	Rank	CIE_x	CIE_y	Condition
V4	0.329	0.357	V7	0.329	0.331	I _F = 150mA
	0.329	0.369		0.344	0.344	
	0.348	0.385		0.343	0.331	
	0.347	0.372		0.329	0.320	
V5	0.329	0.345	V8	0.343	0.331	
	0.329	0.357		0.329	0.320	
	0.347	0.372		0.329	0.310	
	0.346	0.359		0.342	0.320	
V6	0.329	0.331	V9	0.329	0.310	
	0.329	0.345		0.342	0.320	
	0.346	0.359		0.341	0.305	
	0.344	0.344		0.330	0.300	

5650~6300K

Rank	CIE_x	CIE_y	Rank	CIE_x	CIE_y	Condition
W4	0.329	0.369	W7	0.329	0.331	I _F = 150mA
	0.329	0.357		0.329	0.320	
	0.315	0.344		0.318	0.310	
	0.314	0.355		0.317	0.320	
W5	0.329	0.345	W8	0.329	0.321	
	0.316	0.333		0.329	0.310	
	0.315	0.344		0.319	0.300	
	0.329	0.357		0.318	0.310	
W6	0.329	0.345	W9	0.321	0.290	
	0.329	0.331		0.330	0.300	
	0.317	0.320		0.329	0.310	
	0.316	0.333		0.319	0.300	

6300~7000K

Rank	CIE_x	CIE_y	Rank	CIE_x	CIE_y	Condition
X4	0.301	0.342	X7	0.308	0.311	I _F = 150mA
	0.314	0.355		0.317	0.320	
	0.315	0.344		0.319	0.300	
	0.303	0.333		0.311	0.293	
X5	0.305	0.322	X8	0.321	0.290	
	0.303	0.333		0.319	0.300	
	0.315	0.344		0.311	0.293	
	0.316	0.333		0.313	0.285	
X6	0.308	0.311				
	0.305	0.322				
	0.316	0.333				
	0.317	0.320				

7000~8000K

Rank	CIE_x	CIE_y	Rank	CIE_x	CIE_y	Condition
Y3-3	0.290	0.318	Y9-3	0.308	0.311	I _F = 150mA
	0.303	0.333		0.311	0.293	
	0.301	0.342		0.290	0.270	
	0.286	0.333		0.283	0.284	
Y6-3	0.308	0.311	Y1-3	0.302	0.283	
	0.283	0.284		0.311	0.293	
	0.274	0.301		0.313	0.285	
	0.303	0.333		0.305	0.273	

8000~9000K

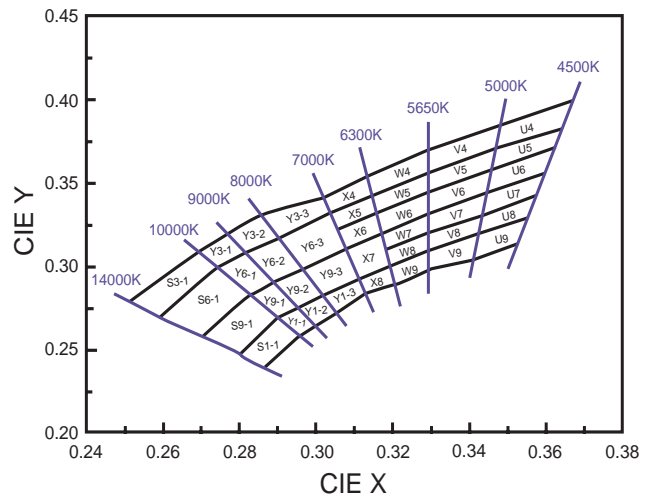
Rank	CIE_x	CIE_y	Rank	CIE_x	CIE_y	Condition
Y3-2	0.281	0.309	Y9-2	0.308	0.311	I _F = 150mA
	0.290	0.318		0.283	0.284	
	0.286	0.333		0.274	0.301	
	0.276	0.321		0.303	0.333	
Y6-2	0.302	0.283	Y1-2	0.299	0.265	
	0.311	0.293		0.295	0.276	
	0.313	0.285		0.302	0.283	
	0.305	0.273		0.305	0.273	

9000~10000K

Rank	CIE_x	CIE_y	Rank	CIE_x	CIE_y	Condition
Y3-1	0.274	0.301	Y9-1	0.290	0.270	I _F = 150mA
	0.281	0.309		0.283	0.284	
	0.276	0.321		0.289	0.291	
	0.269	0.309		0.295	0.276	
Y6-1	0.283	0.284	Y1-1	0.295	0.276	
	0.274	0.301		0.299	0.265	
	0.281	0.309		0.295	0.259	
	0.289	0.291		0.290	0.270	

10000~14000K

Rank	CIE_x	CIE_y	Rank	CIE_x	CIE_y	Condition
S3-1	0.259	0.270	S9-1	0.270	0.260	I _F = 150mA
	0.274	0.301		0.283	0.284	
	0.269	0.309		0.290	0.270	
	0.251	0.280		0.280	0.248	
S6-1	0.274	0.301	S1-1	0.280	0.248	
	0.283	0.284		0.290	0.270	
	0.270	0.260		0.295	0.259	
	0.259	0.270		0.286	0.240	



TECHNICAL DATA

AUTOMOTIVE LED : HIGH POWER LED CIE BINNING RANKS

Brightness Bin Selection

Unit : lm

Group	Bin	Min	Max
C	C1	4	5
	C2	5	6
D	D1	6	8
	D2	8	10
E	E1	10	13
	E2	13	17
F	F1	17	20
	F2	20	23
G	G1	23	27
	G2	27	33
H	H1	33	39
	H2	39	45
I	I1	45	52
	I2	52	61
J	J1	61	71
	J2	71	82
K	K1	82	97
	K2	97	112
L	L1	112	130
	L2	130	150
M	M1	150	180
	M2	180	201
N	N1	201	224
	N2	224	250
O	O1	250	280
	O2	280	314
P	P1	314	351
	P2	351	393
Q	Q1	393	440
	Q2	440	494
R	R1	494	553
	R2	553	619
S	S1	619	693
	S2	693	776
T	T1	776	870
	T2	870	974
U	U1	974	1090
	--	--	--

Unit : mA

Bin Code	I _F (mA)
A	150
B	200
C	250
D	300
E	350
F	400
G	450
H	500
I	550
J	600
K	650
L	700
M	750
N	800
O	850
P	900
Q	950
R	1000

Unit : mA

Bin Code	Dimension
2016	20x16
3535	35x35

Bin Code	Board
S	SMC
E	EMC
P	PLCC
C	Ceramic

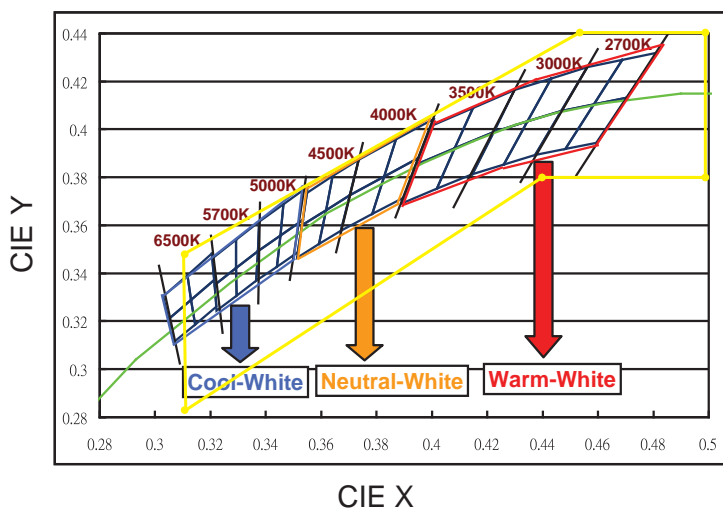
Bin Code	Viewing Angle
H	30
B	60
C	90

Cool White & Warm White

Unit : K

Code	CCT	Color Ranks
27	2700K	27K-1 27K-2
		27K-3 27K-4
		27K-2 27K-3
30	3000K	30K-1 30K-4
		30K-2 30K-3
		30K-2 30K-3
35	3500K	35K-1 35K-4
		35K-2 35K-3
		35K-2 35K-3
40	4000K	40K-1 40K-4
		40K-2 40K-3
		40K-2 40K-3
45	4500K	45K-1 45K-4
		45K-2 45K-3
		45K-2 45K-3
50	5000K	50K-1 50K-4
		50K-2 50K-3
		50K-2 50K-3
57	5700K	57K-1 57K-4
		57K-2 57K-3
		57K-2 57K-3
60	6000K	60K-1 60K-4
		60K-2 60K-3
		60K-2 60K-3

White Color Bin Structure



Chromaticity specification defined by ANSI

TECHNICAL DATA

LED LAMPs BRIGHTNESS BIN SELECTION

Brightness Bin Selection

Unit : mcd

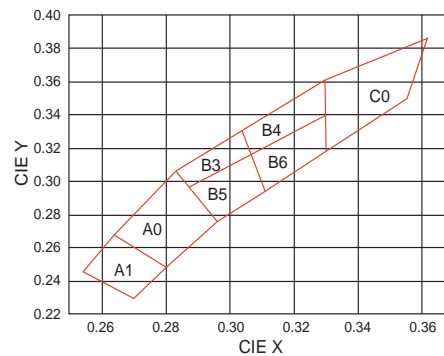
Item	Intensity I _v (mcd)	
Bin Code	Min.	Max.
a7	6.0	8.0
a6	8.0	10.0
a5	10.0	12.0
a4	12.0	15.0
a3	15.0	18.0
a2	18.0	22.0
a1	22.0	28.0
0	28.0	35.0
1	35.0	42.0
2	42.0	50.0
3	50.0	60.0
4	60.0	70.0
5	70.0	85.0
6	85.0	100
7	100	120
8	120	140
9	140	170
A	170	200
B	200	240
C	240	285
D	285	360
E	360	450
F	450	565
G	565	715
H	715	900
J	900	1,125
K	1,125	1,425
L	1,425	1,800
M	1,800	2,250
N	2,250	2,850
P	2,850	3,600
Q	3,600	4,500
R	4,500	5,650
S	5,650	7,150
T	7,150	9,000
U	9,000	11,250
V	11,250	14,250
W	14,250	18,000
X	18,000	22,500
Y	22,500	28,500
Z	28,500	36,000

Cool White / CIE Chromaticity Diagram

(I_F=20mA / Ta=25°C)

Color Ranks		CIE			
A1	X	0.255	0.264	0.280	0.270
	Y	0.245	0.267	0.248	0.230
A0	X	0.264	0.283	0.296	0.280
	Y	0.267	0.305	0.267	0.248
B3	X	0.283	0.304	0.307	0.287
	Y	0.305	0.330	0.315	0.295
B4	X	0.304	0.330	0.330	0.307
	Y	0.330	0.360	0.339	0.315
B5	X	0.287	0.307	0.311	0.296
	Y	0.295	0.315	0.294	0.276
B6	X	0.307	0.330	0.330	0.311
	Y	0.315	0.339	0.318	0.294
C0	X	0.330	0.361	0.355	0.330
	Y	0.360	0.385	0.350	0.318

Note: Measurement uncertainty of the color coordinates ±0.01.

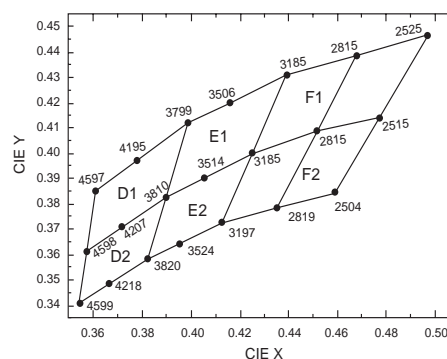


Warm White / CIE Chromaticity Diagram

(I_F=20mA / Ta=25°C)

Color Ranks		CIE			
D1	X	0.357	0.361	0.398	0.389
	Y	0.361	0.385	0.411	0.382
D2	X	0.354	0.357	0.389	0.382
	Y	0.340	0.361	0.382	0.358
E1	X	0.389	0.398	0.439	0.425
	Y	0.382	0.411	0.431	0.400
E2	X	0.382	0.389	0.425	0.412
	Y	0.358	0.382	0.400	0.372
F1	X	0.425	0.439	0.497	0.477
	Y	0.400	0.431	0.466	0.413
F2	X	0.412	0.425	0.477	0.458
	Y	0.372	0.400	0.413	0.383

Note: Measurement uncertainty of the color coordinates ±0.01.



DIGITAL DISPLAY BRIGHTNESS BIN SELECTION

Bin Code	Brightness Range (μcd)	
	Min.	Max.
C	70	140
D	110	220
E	180	360
F	280	560
G	450	900
H	750	1200
J	1050	1680
K	1400	2300
L	2000	3200
M	2800	4500
N	4000	6400
P	5600	8900
Q	7800	12500
R	11000	17600
S	15000	24000
T	21000	34000
U	30000	48000
V	42000	67000
W	59000	94000
X	83000	133000
Y	116000	186000
Z	158800	254000



VISIBLE LED

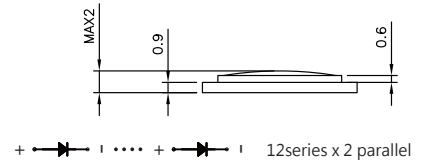
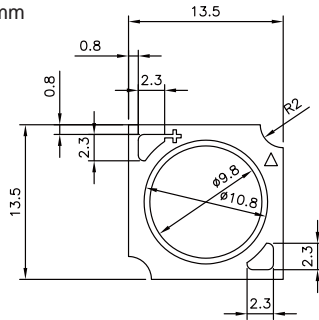
36	HIGH POWER LED
47	LOW MIDDLE POWER LED
50	FLASH LED
53	SMD LED
88	LED LAMPs
108	LED DIGITAL DISPLAYs
125	SIGNAGE LED
131	AUTOMOTIVE LED

High Power LED | EAHP1313 Series (4W,6W)

High Power LED



UNIT : mm



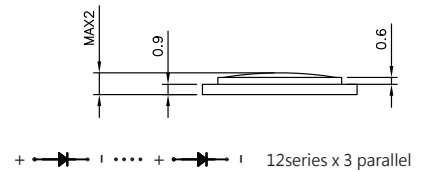
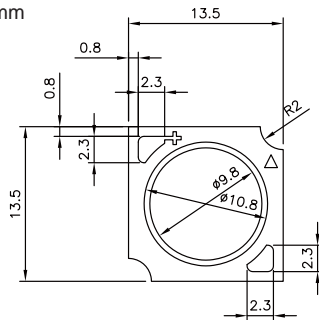
4W

Product	Size (LxWxHmm)	Forward Voltage (V)	Color	CCT (K)	Luminous Flux (lm)		CRI (min.)	Luminous Efficacy(lm/W)
					Min.	TYP		
EAHP1313WA0	13.5x13.5x1.5	34.5~40.0	● Warm White	2700K	425	510	80	118.6
EAHP1313WA3	13.5x13.5x1.5	34.5~40.0	● Warm White	3000K	450	535	80	124.4
EAHP1313WA6	13.5x13.5x1.5	34.5~40.0	● Warm White	3500K	475	550	80	127.9
EAHP1313WA9	13.5x13.5x1.5	34.5~40.0	○ Neutral White	4000K	500	565	80	131.4
EAHP1313WB2	13.5x13.5x1.5	34.5~40.0	○ Neutral White	4500K	500	575	80	133.7
EAHP1313WB5	13.5x13.5x1.5	34.5~40.0	○ Cool White	5000K	500	585	80	136.0
EAHP1313WB8	13.5x13.5x1.5	34.5~40.0	○ Cool White	5700K	500	590	80	137.2
EAHP1313WC1	13.5x13.5x1.5	34.5~40.0	○ Cool White	6500K	500	590	80	137.2

High Power LED | EAHP1313 Series



UNIT : mm



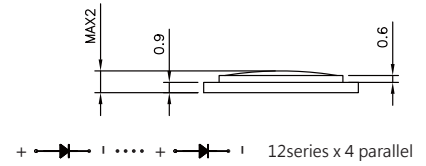
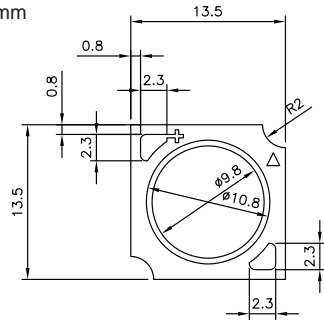
6W

Product	Size (LxWxHmm)	Forward Voltage (V)	Color	CCT (K)	Luminous Flux (lm)		CRI (min.)	Luminous Efficacy(lm/W)
					Min.	TYP		
EAHP1313WA1	13.5x13.5x1.5	34.5~40.0	● Warm White	2700K	700	750	80	116.3
EAHP1313WA4	13.5x13.5x1.5	34.5~40.0	● Warm White	3000K	700	785	80	121.7
EAHP1313WA7	13.5x13.5x1.5	34.5~40.0	● Warm White	3500K	750	805	80	124.8
EAHP1313WB0	13.5x13.5x1.5	34.5~40.0	○ Neutral White	4000K	750	830	80	128.7
EAHP1313WB3	13.5x13.5x1.5	34.5~40.0	○ Neutral White	4500K	750	845	80	131.0
EAHP1313WB6	13.5x13.5x1.5	34.5~40.0	○ Cool White	5000K	800	855	80	132.6
EAHP1313WB9	13.5x13.5x1.5	34.5~40.0	○ Cool White	5700K	800	880	80	136.4
EAHP1313WC2	13.5x13.5x1.5	34.5~40.0	○ Cool White	6500K	800	880	80	136.4

High Power LED | EAHP1313 Series



UNIT : mm



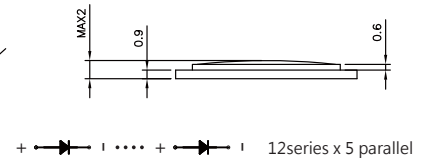
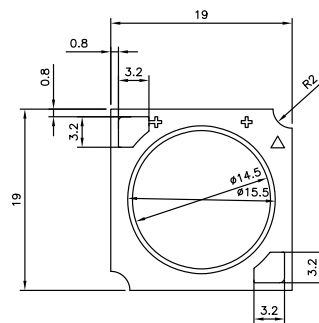
8W

Product	Size (LxWxHmm)	Forward Voltage (V)	Color	CCT (K)	Luminous Flux (lm)		CRI (min.)	Luminous Efficacy(lm/W)
					Min.	TYP		
EAHP1313WA2	13.5x13.5x1.5	34.5~40.0	● Warm White	2700K	900	985	80	114.5
EAHP1313WA5	13.5x13.5x1.5	34.5~40.0	● Warm White	3000K	900	1030	80	119.8
EAHP1313WA8	13.5x13.5x1.5	34.5~40.0	● Warm White	3500K	900	1060	80	123.3
EAHP1313WB1	13.5x13.5x1.5	34.5~40.0	○ Neutral White	4000K	900	1090	80	126.7
EAHP1313WB4	13.5x13.5x1.5	34.5~40.0	○ Neutral White	4500K	900	1110	80	129.1
EAHP1313WB7	13.5x13.5x1.5	34.5~40.0	○ Cool White	5000K	1000	1120	80	130.2
EAHP1313WC0	13.5x13.5x1.5	34.5~40.0	○ Cool White	5700K	1000	1150	80	133.7
EAHP1313WC3	13.5x13.5x1.5	34.5~40.0	○ Cool White	6500K	1000	1150	80	133.7

High Power LED | EAHP1919 Series



UNIT : mm



10W

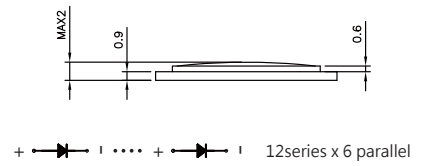
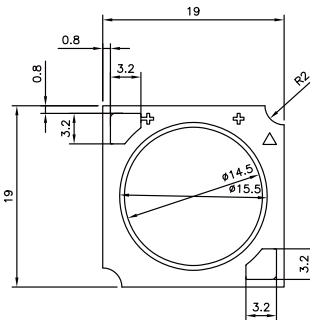
Product	Size (LxWxHmm)	Forward Voltage (V)	Color	CCT (K)	Luminous Flux (lm)		CRI (min.)	Luminous Efficacy(lm/W)
					Min.	TYP		
EAHP1919WA0	19x19x1.5	34.5~40.0	● Warm White	2700K	1100	1265	80	117.7
EAHP1919WA3	19x19x1.5	34.5~40.0	● Warm White	3000K	1100	1330	80	123.7
EAHP1919WA6	19x19x1.5	34.5~40.0	● Warm White	3500K	1200	1365	80	127.0
EAHP1919WC1	19x19x1.5	34.5~40.0	○ Neutral White	4000K	1200	1405	80	130.7
EAHP1919WB1	19x19x1.5	34.5~40.0	○ Neutral White	4500K	1200	1425	80	132.6
EAHP1919WB4	19x19x1.5	34.5~40.0	○ Cool White	5000K	1200	1455	80	135.3
EAHP1919WB7	19x19x1.5	34.5~40.0	○ Cool White	5700K	1200	1465	80	136.3
EAHP1919WC0	19x19x1.5	34.5~40.0	○ Cool White	6500K	1200	1465	80	136.3

High Power LED | EAHP1919 Series (13W,17W)

High Power LED



UNIT : mm



+ ——— + ——— 12series x 6 parallel

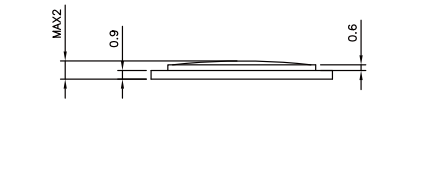
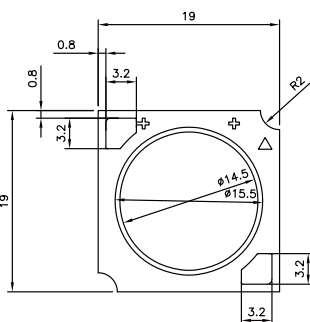
13W

Product	Size (LxWxHmm)	Forward Voltage (V)	Color	CCT (K)	Luminous Flux (lm)		CRI (min.)	Luminous Efficacy(lm/W)
					Min.	TYP		
EAHP1919WA1	19x19x1.5	34.5~40.0	Warm White	2700K	1200	1495	80	115.1
EAHP1919WA4	19x19x1.5	34.5~40.0	Warm White	3000K	1350	1570	80	120.2
EAHP1919WA7	19x19x1.5	34.5~40.0	Warm White	3500K	1350	1615	80	123.6
EAHP1919WA9	19x19x1.5	34.5~40.0	Neutral White	4000K	1350	1660	80	127.1
EAHP1919WB2	19x19x1.5	34.5~40.0	Neutral White	4500K	1500	1685	80	129.5
EAHP1919WB5	19x19x1.5	34.5~40.0	Cool White	5000K	1500	1715	80	131.0
EAHP1919WB8	19x19x1.5	34.5~40.0	Cool White	5700K	1500	1730	80	132.2
EAHP1919WC3	19x19x1.5	34.5~40.0	Cool White	6500K	1500	1730	80	132.2

High Power LED | EAHP1919 Series



UNIT : mm



+ ——— + ——— 12series x 8 parallel

17W

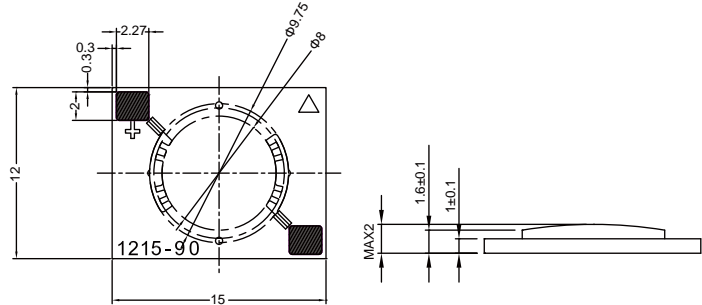
Product	Power Dissipation (W)	Forward Voltage (V)	Forward Current (mA)		Thermal Resistance °C/W	Junction Temperature °C	Color	CCT (K)	Luminous Flux (lm)		CRI (min.)	Luminous Efficacy (lm/W)
			Typ	Max					Min.	TYP		
EAHP1919WA2	17W	34.5~40.0	480	960	0.66	120	Warm White	2700K	1650	1970	80	114.5
EAHP1919WA5	17W	34.5~40.0	480	960	0.66	120	Warm White	3000K	1800	2070	80	119.8
EAHP1919WA8	17W	34.5~40.0	480	960	0.66	120	Warm White	3500K	1800	2125	80	123.3
EAHP1919WB0	17W	34.5~40.0	480	960	0.66	120	Neutral White	4000K	1800	2185	80	126.7
EAHP1919WB3	17W	34.5~40.0	480	960	0.66	120	Neutral White	4500K	2000	2225	80	129.1
EAHP1919WB6	17W	34.5~40.0	480	960	0.66	120	Cool White	5000K	2000	2260	80	130.2
EAHP1919WB9	17W	34.5~40.0	480	960	0.66	120	Cool White	5700K	2000	2280	80	133.7
EAHP1919WC2	17W	34.5~40.0	480	960	0.66	120	Cool White	6500K	2000	2280	80	133.7



High Power LED | EAHP1215 Series



UNIT : mm



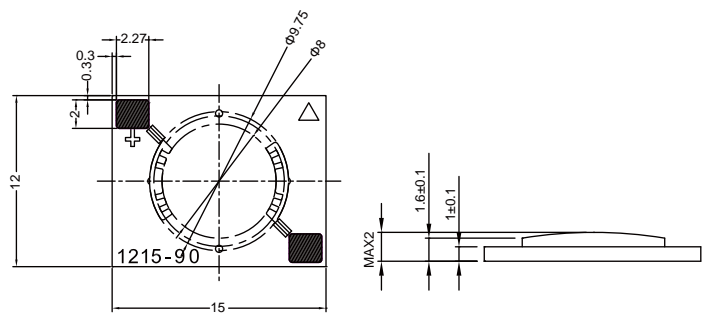
6W

Product	Size (LxWxHmm)	Forward Voltage (V)	Color	CCT (K)	Luminous Flux (lm)		CRI (min.)	Luminous Efficacy(lm/W)
					Min.	TYP		
EAHP1215WB0	12x15x1.6	33~41	● Warm White	2700K	550	630	80	105
EAHP1215WB1	12x15x1.6	33~41	● Warm White	3000K	600	670	80	111.6666667
EAHP1215WB5	12x15x1.6	33~41	○ Neutral White	4000K	600	730	80	121.6666667
EAHP1215WB8	12x15x1.6	33~41	○ Cool White	5000K	650	750	80	125
EAHP1215WC4	12x15x1.6	33~41	○ Cool White	5700K	650	750	80	125

High Power LED | EAHP1215 Series



UNIT : mm



7W

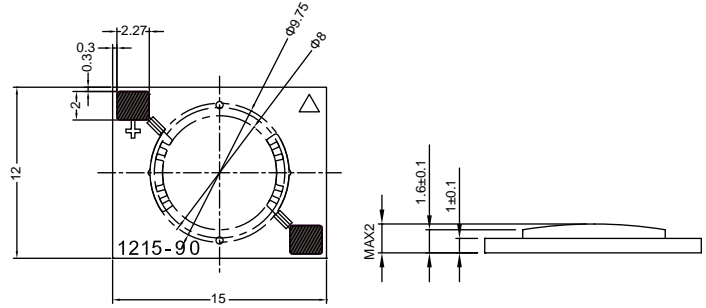
Product	Size (LxWxHmm)	Forward Voltage (V)	Color	CCT (K)	Luminous Flux (lm)		CRI (min.)	Luminous Efficacy(lm/W)
					Min.	TYP		
EAHP1215WB2	12x15x1.6	11~14	● Warm White	3000K	650	730	80	104.2857143
EAHP1215WA1	12x15x1.6	11~14	○ Neutral White	4000K	650	745	80	106.4285714
EAHP1215WB9	12x15x1.6	11~14	○ Cool White	5000K	700	810	80	115.7142857
EAHP1215WC5	12x15x1.6	11~14	○ Cool White	5700K	700	810	80	115.7142857
EAHP1215WA0	12x15x1.6	11~14	○ Cool White	6500K	700	810	80	115.7142857

High Power LED | EAHP1215 Series

High Power LED



UNIT : mm



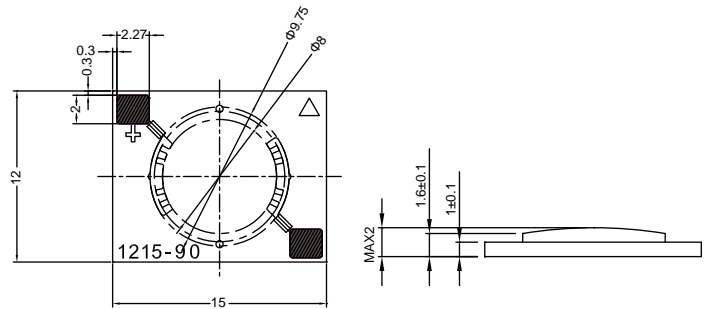
9W

Product	Size (LxWxHmm)	Forward Voltage (V)	Color	CCT (K)	Luminous Flux (lm)		CRI (min.)	Luminous Efficacy(lm/W)
					Min.	TYP		
EAHP1215WA8	12x15x1.6	33~41	● Warm White	2700K	800	898	80	99.77777778
EAHP1215WB3	12x15x1.6	33~41	● Warm White	3000K	900	957	80	106.33333333
EAHP1215WB6	12x15x1.6	33~41	○ Neutral White	4000K	900	1050	80	116.66666667
EAHP1215WC1	12x15x1.6	33~41	○ Cool White	5000K	1000	1103	80	122.55555556
EAHP1215WA6	12x15x1.6	33~41	○ Cool White	5700K	1000	1103	80	122.55555556

High Power LED | EAHP1215 Series



UNIT : mm



10W

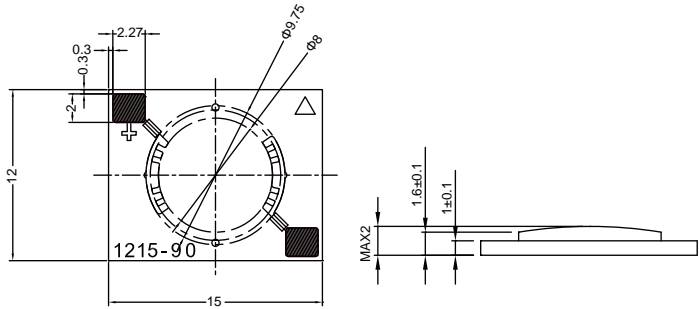
Product	Size (LxWxHmm)	Forward Voltage (V)	Color	CCT (K)	Luminous Flux (lm)		CRI (min.)	Luminous Efficacy(lm/W)
					Min.	TYP		
EAHP1215WA3	12x15x1.6	16~20	● Warm White	3000K	1100	1210	80	121
EAHP1215WA7	12x15x1.6	16~20	○ Neutral White	4000K	1100	1210	80	121
EAHP1215WC2	12x15x1.6	16~20	○ Cool White	5700K	1100	1210	80	121
EAHP1215WA5	12x15x1.6	16~20	● Warm White	2700K	1000	1184	80	118
EAHP1215WA4	12x15x1.6	16~20	○ Neutral White	4000K	1100	1310	80	131



High Power LED | EAHP1215 Series



UNIT : mm



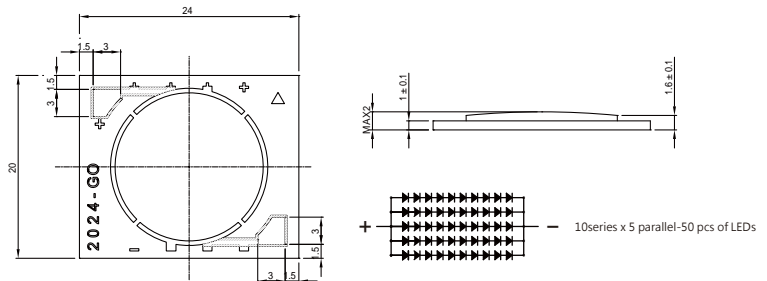
12W

Product	Size (LxWxHmm)	Forward Voltage (V)	Color	CCT (K)	Luminous Flux (lm)		CRI (min.)	Luminous Efficacy(lm/W)
					Min.	TYP		
EAHP1215WA9	12x15x1.6	33~41	● Warm White	2700K	1000	1184	80	98.66666667
EAHP1215WB4	12x15x1.6	33~41	● Warm White	3000K	1100	1260	80	105
EAHP1215WB7	12x15x1.6	33~41	○ Neutral White	4000K	1100	1310	80	109.16666667
EAHP1215WC3	12x15x1.6	33~41	○ Cool White	5000K	1200	1365	80	113.75
EAHP1215WC0	12x15x1.6	33~41	○ Cool White	5700K	1200	1365	80	113.75

High Power LED | EAHP2024 Series



UNIT : mm



15W

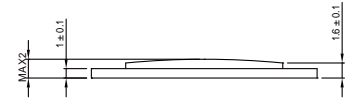
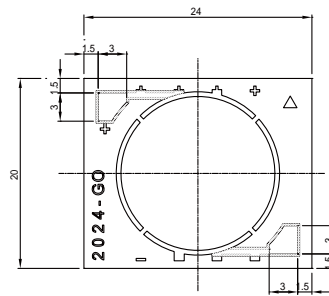
Product	Size (LxWxHmm)	Forward Voltage (V)	Color	CCT (K)	Luminous Flux (lm)		CRI (min.)	Luminous Efficacy(lm/W)
					Min.	TYP		
EAHP2024WA1	20x24x1.6	27~33	● Warm White	3500K	1425	1580	80	105.3333333
EAHP2024WA5	20x24x1.6	27~33	● Warm White	3000K	1500	1650	80	110
EAHP2024WA8	20x24x1.6	27~33	● Warm White	3500K	1500	1700	80	113.3333333
EAHP2024WB0	20x24x1.6	27~33	○ Neutral White	4000K	1575	1750	80	116.6666667
EAHP2024WB5	20x24x1.6	27~33	○ Cool White	5000K	1650	1800	80	120
EAHP2024WB7	20x24x1.6	27~33	○ Cool White	5700K	1725	1850	80	123.3333333
EAHP2024WB8	20x24x1.6	27~33	○ Cool White	6500K	1725	1850	80	123.3333333

High Power LED | EAHP2024 Series

High Power LED



UNIT : mm



+ ——— + ——— | 12series x 7 parallel

25W

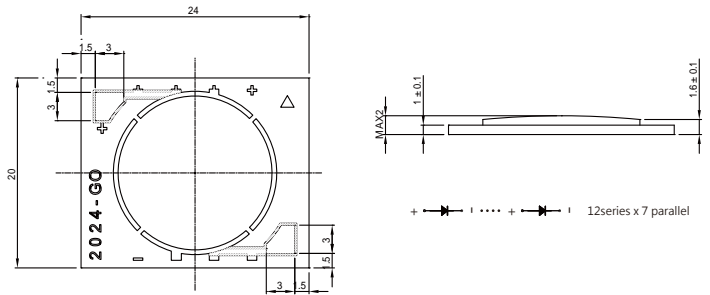
Product	Size (LxWxHmm)	Forward Voltage (V)	Color	CCT (K)	Luminous Flux (lm)		CRI (min.)	Luminous Efficacy(lm/W)
					Min.	TYP		
EAHP2024WA2	20x24x1.6	35~39	● Warm White	2700K	2400	2870	80	114.8
EAHP2024WA6	20x24x1.6	35~39	● Warm White	3000K	2600	3000	80	120
EAHP2024WB1	20x24x1.6	35~39	○ Neutral White	4000K	2800	3180	80	127.2
EAHP2024WB6	20x24x1.6	35~39	○ Cool White	5000K	3000	3270	80	130.8



High Power LED | EAHP2024 Series



UNIT : mm



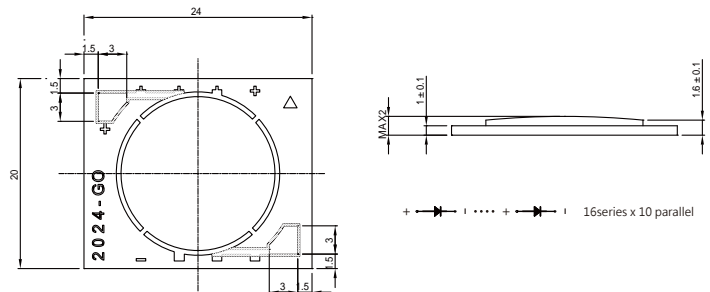
35W

Product	Size (LxWxHmm)	Forward Voltage (V)	Color	CCT (K)	Luminous Flux (lm)		CRI (min.)	Luminous Efficacy(lm/W)
					Min.	TYP		
EAHP2024WA3	20x24x1.6	35~39	● Warm White	2700K	3400	3890	80	111.1428571
EAHP2024WA7	20x24x1.6	35~39	● Warm White	3000K	3600	4070	80	116.2857143
EAHP2024WB2	20x24x1.6	35~39	○ Neutral White	4000K	3800	4315	80	123.2857143
EAHP2024WB3	20x24x1.6	35~39	○ Cool White	5000K	4000	4435	80	126.7142857

High Power LED | EAHP2024 Series



UNIT : mm

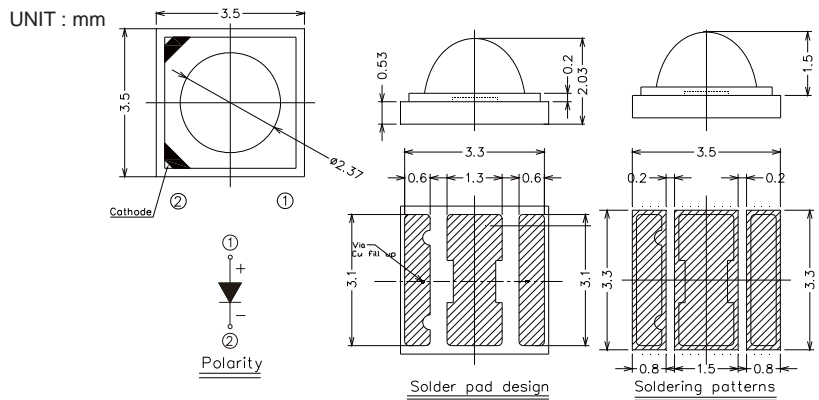
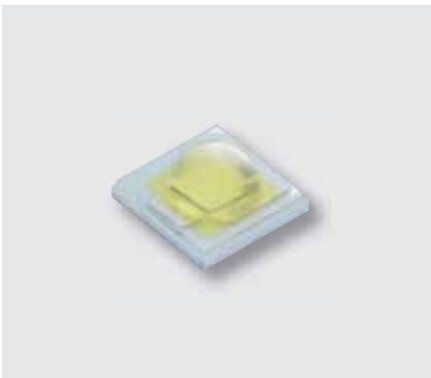


50W

Product	Size (LxWxHmm)	Forward Voltage (V)	Color	CCT (K)	Luminous Flux (lm)		CRI (min.)	Luminous Efficacy(lm/W)
					Min.	TYP		
EAHP2024WA0	20x24x1.6	46~53	● Warm White	2700K	4600	5165	80	103.3
EAHP2024WA4	20x24x1.6	46~53	● Warm White	3000K	4800	5400	80	108
EAHP2024WA9	20x24x1.6	46~53	○ Neutral White	4000K	5000	5725	80	114.5
EAHP2024WB4	20x24x1.6	46~53	○ Cool White	5000K	5200	5885	80	117.7

High Power LED ■ EAHP3535 (1W, 3W)

High Power LED



1W, 3W / 350mA

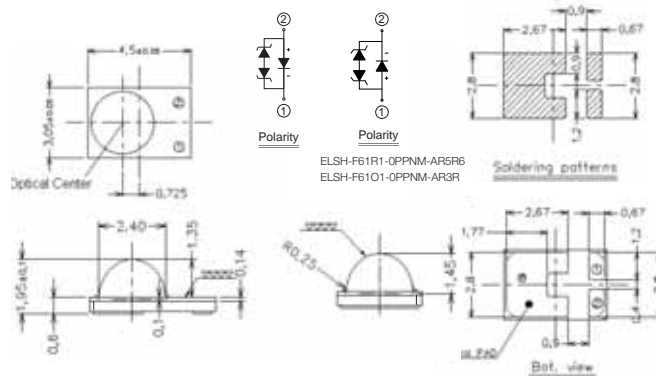
Product	Size (LxWxHmm)	Color	Wavelength (nm)	Typ. Radiant Power	CRI (min.)	Forward Voltage (V)
EAHP3535RA0	3.5x3.5x2.03	● Red	620~630	65mW	--	1.75~2.65
EAHP3535OA0	3.5x3.5x2.03	● Orange	610~620	65mW	--	1.75~2.65
EAHP3535YA0	3.5x3.5x2.03	● Amber	585~592.5	48mW	--	1.75~2.65
EAHP3535GA0	3.5x3.5x2.03	● Green	520~530	85mW	--	2.95~3.85
EAHP3535BA0	3.5x3.5x2.03	● Blue	460~470	21mW	--	2.95~3.85
EAHP3535BA2	3.5x3.5x2.03	● Royal Blue	445~460	275mW	--	2.95~3.85
EAHP3535RA3	3.5x3.5x2.03	● Red	645~675	275mW	--	2.05~2.95
EAHP3535BA1	3.5x3.5x2.03	● Blue	462.5	23lm	--	2.95~4.15
EAHP3535GA1	3.5x3.5x2.03	● Green	530	70lm	--	2.65~3.85
EAHP3535GA2	3.5x3.5x2.03	● Green	527.5	100lm	--	2.95~4.15
EAHP3535RA1	3.5x3.5x2.03	● Red	622.5	90lm	--	2.05~3.25
EAHP3535RA2	3.5x3.5x2.03	● Far Red	732.5	224mW	--	2.05~3.25
EAHP3535YA1	3.5x3.5x2.03	● Amber	589	90lm	--	2.05~3.25



High Power LED | EAHP3045 (1W, 3W)



UNIT : mm



1W / 350mA

Product	Size (LxWxHmm)	Color	Wavelength (nm)	Typ. Luminous Flux (lm)	CRI (min.)	Forward Voltage (V)
EAHP3045RA0	3.05x4.5x1.95	Red	620-630	56	--	1.75-2.95
EAHP3045RA1	3.05x4.5x1.95	Red	620-630	65	--	1.75-2.95
EAHP3045OA0	3.05x4.5x1.95	Orange	610-620	56	--	1.75-2.95
EAHP3045OA1	3.05x4.5x1.95	Orange	610-620	65	--	1.75-2.95
EAHP3045YA0	3.05x4.5x1.95	Amber	585-592.5	48	--	1.75-2.95
EAHP3045YA1	3.05x4.5x1.95	Amber	587.5-595	48	--	1.75-2.95
EAHP3045GA2	3.05x4.5x1.95	Green	520-530	85	--	2.95-3.85
EAHP3045GA3	3.05x4.5x1.95	Green	525-535	85	--	2.95-3.85
EAHP3045BA0	3.05x4.5x1.95	Blue	460-470	21	--	2.95-3.85
EAHP3045BA2	3.05x4.5x1.95	Royal Blue	Wp 445-460	312 mW	--	2.95-3.85
EAHP3045RA4	3.05x4.5x1.95	Deep Red	Wp 645-675	312 mW	--	2.05-2.95
EAHP3045RA3	3.05x4.5x1.95	Far Red	Wp 715-745	150 mW	--	2.05-2.95
EAHP3045GA0	3.05x4.5x1.95	Green	520-530	70	--	2.65-3.85
EAHP3045GA1	3.05x4.5x1.95	Green	525-535	70	--	2.65-3.85

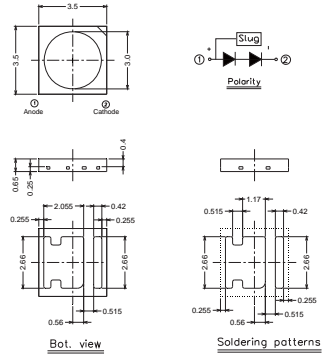
3W / 700mA

Product	Size (LxWxHmm)	Color	Wavelength (nm)	Typ. Luminous Flux (lm)	CRI (min.)	Forward Voltage (V)
EAHP3045RA2	3.05x4.5x1.95	Red	615-630	95	--	2.05-3.25
EAHP3045YA2	3.05x4.5x1.95	Amber	585-592.5	95	--	2.05-3.25
EAHP3045GA4	3.05x4.5x1.95	Green	520-535	105	--	3.25-4.15
EAHP3045BA1	3.05x4.5x1.95	Blue	455-470	25	--	3.25-4.15

High Power LED | EAHP3535 Series (3535 package, 1W, 6V)



UNIT : mm



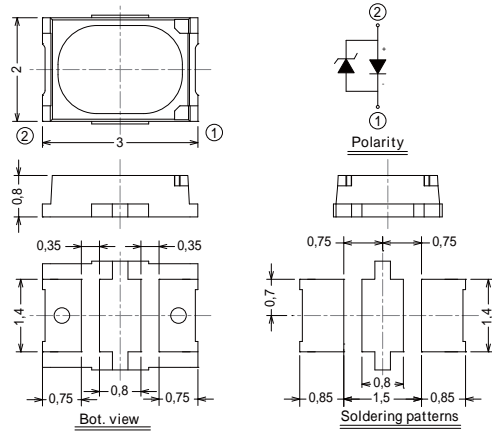
1W / 6V

Product	Size (LxWxHmm)	Color	CCT (K)	Typ. Luminous Flux (lm) @ 150mA	CRI (min.)	Forward Voltage (V)
EAHP3535XWA5	3.0x3.0x0.65	○Cool White	6500K	112	80	6.0-7.0
EAHP3535XWA4	3.0x3.0x0.65	○Cool White	5700K	113	80	6.0-7.0
EAHP3535XWA3	3.0x3.0x0.65	○Cool White	5000K	115	80	6.0-7.0
EAHP3535XWA2	3.0x3.0x0.65	○Neutral White	4000K	111	80	6.0-7.0
EAHP3535XWA1	3.0x3.0x0.65	●Warm White	3000K	108	80	6.0-7.0
EAHP3535XWA0	3.0x3.0x0.65	●Warm White	2700K	105	80	6.0-7.0

Low Middle Power LED | EAPL3020Series (3020 package, 0.1W / 0.3W)



UNIT : mm



0.1W / 20mA

Product	Size (LxWxHmm)	Color	λ_d (nm)/ CIE(x,y)	I_v Min./Typ. (mcd)	I_v Max. (mcd)	V_F Min. (V)	V_F Max. (V)	I_F (mA)
EAPL3020AA0	3x2x0.8	● Brilliant Orange	605	90	225	1.75	2.35	20

0.3W / 60mA

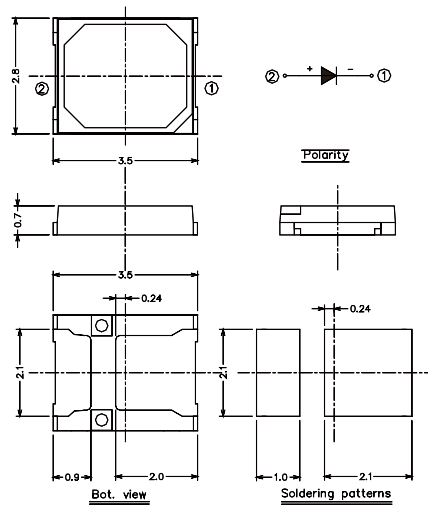
Product	Size (LxWxHmm)	Color	CCT (K)	Typ. Luminous Flux (lm) @ 150mA	CRI (min.)	Forward Voltage (V)
EAPL3020WA0	3.0x3.0x0.65	● Warm White	2700	16	80	2.9~3.6
EAPL3020WA1	3.0x3.0x0.65	● Warm White	3000	17	80	2.9~3.6
EAPL3020WA2	3.0x3.0x0.65	○ Neutral White	3500	17	80	2.9~3.6
EAPL3020WA3	3.0x3.0x0.65	○ Neutral White	4000	18	80	2.9~3.6
EAPL3020WA4	3.0x3.0x0.65	○ Cool White	5000	18	80	2.9~3.6
EAPL3020WA5	3.0x3.0x0.65	○ Cool White	5700	18	80	2.9~3.6
EAPL3020WA6	3.0x3.0x0.65	○ Cool White	6500	18	80	2.9~3.6

Low Middle Power LED

Low Middle Power LED | EAPL2835 Series (2835 package, 0.2W / 0.5W)



UNIT : mm



0.2W / 60mA

Product	Size (LxWxHmm)	Color	CCT (K)	Typ. Luminous Flux (lm) @ 30mA	CRI (min.)	Forward Voltage (V)
EAPL2835WB3	3.5x2.8x1.9	○ Cool White	6500	24	80	2.9~3.6
EAPL2835WB2	3.5x2.8x1.9	○ Cool White	6000	24	80	2.9~3.6
EAPL2835WB0	3.5x2.8x1.9	○ Cool White	5700	24	80	2.9~3.6
EAPL2835WA9	3.5x2.8x1.9	○ Cool White	5300	24	80	2.9~3.6
EAPL2835WA7	3.5x2.8x1.9	○ Cool White	5000	24	80	2.9~3.6
EAPL2835WA5	3.5x2.8x1.9	○ Neutral White	4000	23	80	2.9~3.6
EAPL2835WA4	3.5x2.8x1.9	○ Neutral White	3500	22	80	2.9~3.6
EAPL2835WA2	3.5x2.8x1.9	○ Warm White	3000	22	80	2.9~3.6
EAPL2835WA0	3.5x2.8x1.9	○ Warm White	2700	21	80	2.9~3.6

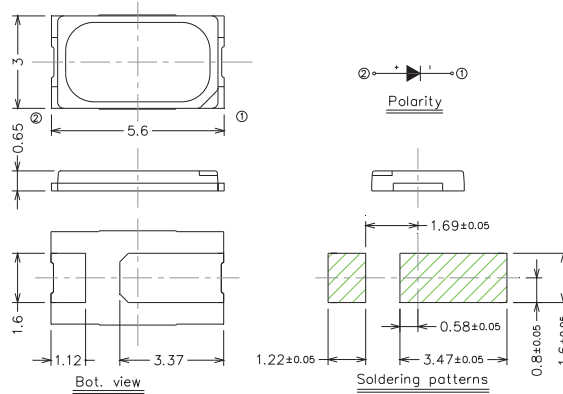
0.5W / 150mA

Product	Size (LxWxHmm)	Color	CCT (K)	Typ. Luminous Flux (lm) @ 150mA	CRI (min.)	Forward Voltage (V)
EAPL2835WB4	3.5x2.8x1.9	○ Cool White	6500	54	80	2.8~3.5
EAPL2835WB1	3.5x2.8x1.9	○ Cool White	5700	54	80	2.8~3.5
EAPL2835WA8	3.5x2.8x1.9	○ Cool White	5000	54	80	2.8~3.5
EAPL2835WA6	3.5x2.8x1.9	○ Neutral White	4000	52	80	2.8~3.5
EAPL2835WA3	3.5x2.8x1.9	○ Warm White	3000	49	80	2.8~3.5
EAPL2835WA1	3.5x2.8x1.9	○ Warm White	2700	46	80	2.8~3.5

Low Middle Power LED | ELHP5630 Series (5630 package)



UNIT : mm



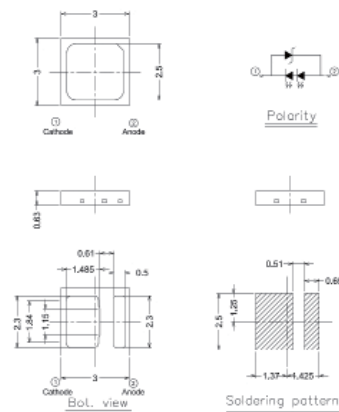
0.5W / 150mA

Product	Size (LxWxHmm)	Color	CCT (K)	Typ. Luminous Flux (lm) @ 150mA	CRI (min.)	Forward Voltage (V)
ELHP5630WA0	5.6x3x0.65	○Cool White	6500	55	80	2.8~3.5
ELHP5630WA1	5.6x3x0.65	○Cool White	5700	55	80	2.8~3.5
ELHP5630WA2	5.6x3x0.65	○Cool White	5000	55	80	2.8~3.5
ELHP5630WA3	5.6x3x0.65	○Neutral White	4000	50	80	2.8~3.5
ELHP5630WA4	5.6x3x0.65	○Neutral White	3500	50	80	2.8~3.5
ELHP5630WA5	5.6x3x0.65	○Warm White	3000	50	80	2.8~3.5
ELHP5630WA6	5.6x3x0.65	○Warm White	2700	45	80	2.8~3.5

Low Middle Power LED | EAHP3030 Series (3030 package)



UNIT : mm

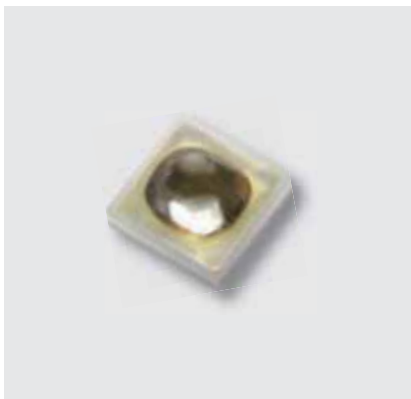


1W / 150mA

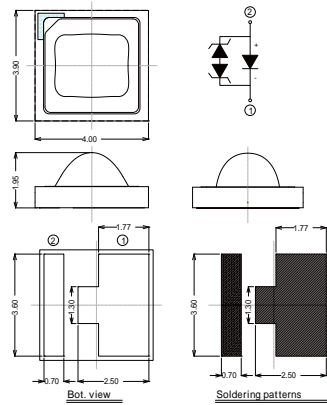
Product	Size (LxWxHmm)	Color	CCT (K)	Typ. Luminous Flux (lm) @ 150mA	CRI (min.)	Forward Voltage (V)
EAHP3030WA0	3x3x0.63	○Cool White	6500	106	80	5.8~7.0
EAHP3030WA1	3x3x0.63	○Cool White	5700	110	80	5.8~7.0
EAHP3030WA2	3x3x0.63	○Cool White	5000	113	80	5.8~7.0
EAHP3030WA3	3x3x0.63	○Neutral White	4000	108	80	5.8~7.0
EAHP3030WA4	3x3x0.63	○Neutral White	3500	107	80	5.8~7.0
EAHP3030WA5	3x3x0.63	○Warm White	3000	106	80	5.8~7.0
EAHP3030WA6	3x3x0.63	○Warm White	2700	101	80	5.8~7.0

Low Middle Power LED

Flash LED | High Power Flash LED | Module Type



UNIT : mm

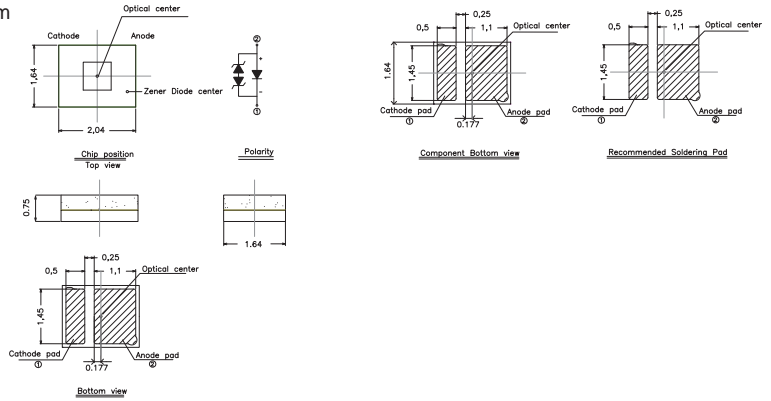


Product	Size (LxWxHmm)	Color	CCT (K)	Typ. Illuminance (lx)	Forward Voltage (V)	I _F (mA)
EAFL4039W20A0	4x3.9x1.95	○ White	6000	200	2.95~4.35	1000

Flash LED | High Power Flash LED | 2016 Package



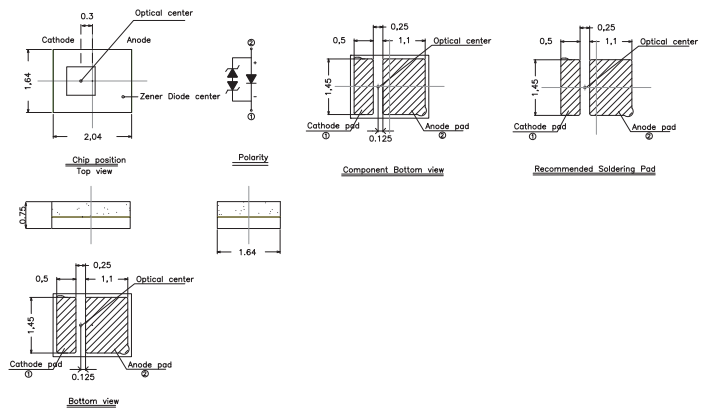
UNIT : mm



Product	Size (LxWxHmm)	Color	CCT (K)	Typ. Luminous Flux (lm)	Forward Voltage (V)	I _F (mA)
EAFL2016W33A0	2.04x1.64x0.75	○White	5000~7000	33	2.85~3.85	150



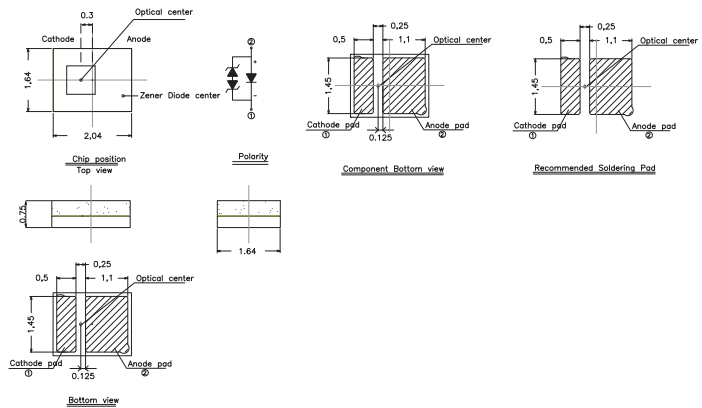
UNIT : mm



Product	Size (LxWxHmm)	Color	CCT (K)	Typ. Luminous Flux (lm)	Forward Voltage (V)	I _F (mA)
EAFL2016W85A0	2.04x1.64x0.75	○White	4500~7000	85	2.95~4.15	500



UNIT : mm



Product	Size (LxWxHmm)	Color	CCT (K)	Typ. Luminous Flux (lm)	Forward Voltage (V)	I _F (mA)
EAFL2016W16A0	2.04x1.64x0.75	○White	4500~7000	160	2.95~4.35	1000

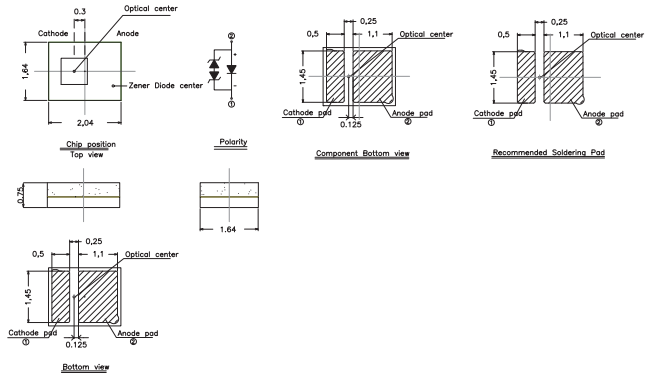
Flash LED

Flash LED | High Power Flash LED | 2016 Package

Flash LED



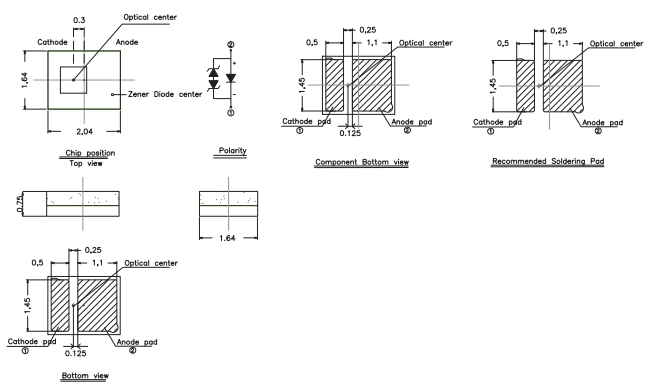
UNIT : mm



Product	Size (LxWxHmm)	Color	CCT (K)	Typ. Luminous Flux (lm)	Forward Voltage (V)	I _F (mA)
EAFL2016W20A0	2.04x1.64x0.75	○White	4500~7000	200	2.95~4.35	1000



UNIT : mm

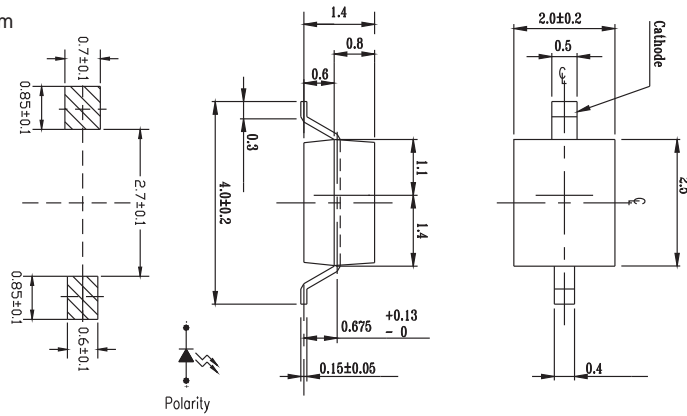


Product	Size (LxWxHmm)	Color	CCT (K)	Typ. Luminous Flux (lm)	Forward Voltage (V)	I _F (mA)
EAFL2016W30A0	2.04x1.64x0.7	○White	5000~7000	300	2.85~4.15	1000

SMD LED | Subminiature LED Lamps (Leadframe)



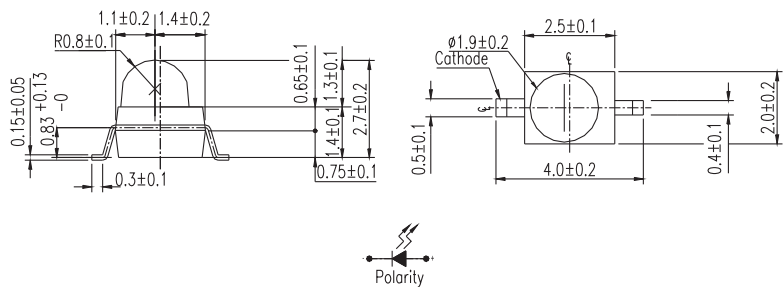
UNIT : mm



Product	Size (LxWxHmm)	Color	λ_d (nm)/ CIE(x,y)	I_v Min./Typ. (mcd)	I_v Max. (mcd)	V_F Min. (V)	V_F Typ. (V)	V_F Max. (V)	I_F (mA)
EASY2520RA0	2.5x2x1.4	● Deep Red	639	20 / 27	N	1.7	2	2.4	20
EASY2520RA1	2.5x2x1.4	● Hyper Red	624	11 / 26	N	N	2	2.4	20
EASY2520YA0	2.5x2x1.4	● Super Yellow	589	21 / 33	N	N	2	2.4	20



UNIT : mm

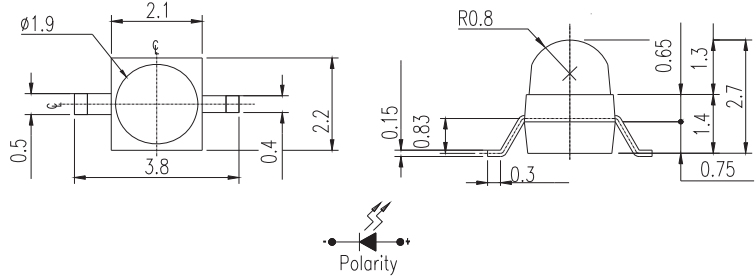


Product	Size (LxWxHmm)	Color	λ_d (nm)/ CIE(x,y)	I_v Min./Typ. (mcd)	I_v Max. (mcd)	V_F Min. (V)	V_F Typ. (V)	V_F Max. (V)	I_F (mA)
EASG2025GA0	2x2.5x2.7	● Super Green	525	2000 / 2300	N	N	3.5	4.3	20
EASG2025RA0	2x2.5x2.7	● Hyper Red	624	802 / 1232	N	N	2	2.4	20
EASG2025GA1	2x2.5x2.7	● Super Yellow Green	573	528 / 594	N	N	2	2.4	20
EASG2025RA1	2x2.5x2.7	● Dark Red	631	344 / 578	N	N	2	2.4	20

SMD LED | Subminiature LED Lamps (Leadframe)



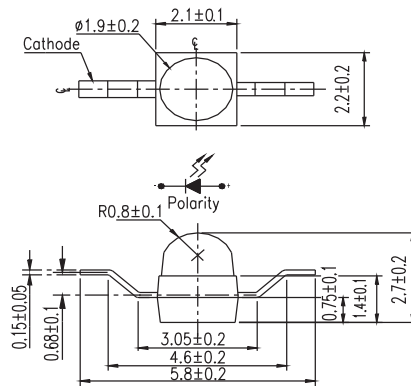
UNIT : mm



Product	Size (LxWxHmm)	Color	λ_d (nm)/ CIE(x,y)	I_v Min./Typ. (mcd)	I_v Max. (mcd)	V_F Min. (V)	V_F Typ. (V)	V_F Max. (V)	I_F (mA)
EASG2122GA0	2.1x2.2x2.7	● Super Green	525	2000 / 2300	N	N	3.5	4.3	20
EASG2122GA1	2.1x2.2x2.7	● Brilliant Yellow Green	573	264 / 330	N	1.7	2	2.4	20
EASG2122RA0	2.1x2.2x2.7	● Dark Red	631	45 / 100	N	N	2	2.4	20
EASG2122YA0	2.1x2.2x2.7	● Super Yellow	589	793 / 1156	N	N	2	2.4	20
EASY2122BA0	2.1x2.2x2.7	● Blue	470	180 / N	450	2.7	N	3.7	20
EASY2122GA0	2.1x2.2x2.7	● Brilliant Yellow Green	573	264 / 330	N	N	2	2.4	20
EASY2122RA0	2.1x2.2x2.7	● Hyper Red	624	400 / 600	N	N	2	2.4	20
EASZ2122YA0	2.1x2.2x2.7	● Super Yellow	489	463 / 714	N	N	2	2.4	20



UNIT : mm



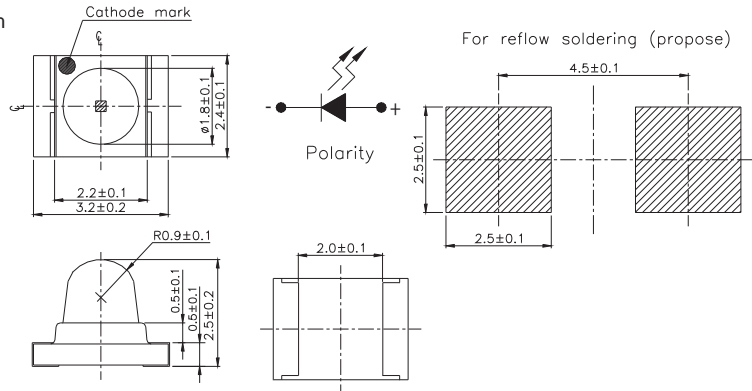
95-21F10/TR10

Product	Size (LxWxHmm)	Color	λ_d (nm)/ CIE(x,y)	I_v Min./Typ. (mcd)	I_v Max. (mcd)	V_F Min. (V)	V_F Typ. (V)	V_F Max. (V)	I_F (mA)
EASZ2122RA0	2.1x2.2x2.7	● Brilliant Red	639	330 / 495	N	1.7	2	2.4	20
EASZ2122BA0	2.1x2.2x2.7	● Super Blue	470	500 / 800	N	N	3.5	4.3	20

SMD LED | Surface Mount Chip LED (PCB) | Top View LED



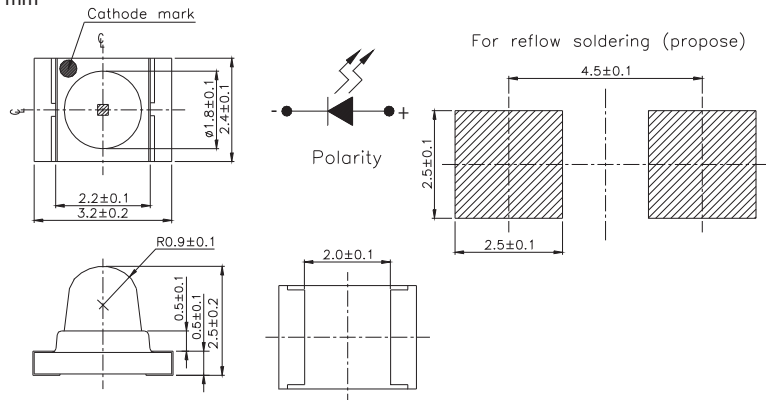
UNIT : mm



Product	Size (LxWxHmm)	Color	λ_d (nm)/ CIE(x,y)	I_v Min./Typ. (mcd)	I_v Max. (mcd)	V_F Min./Typ. (V)	V_F Max. (V)	I_F (mA)
EAST1224BA0	3.2x2.4x2.5	● Blue	470	450	1800	2.7 / 3.3	3.7	20
EAST1224AA0	3.2x2.4x2.5	● Brilliant Orange	605	715	4500	1.7 / 2	2.4	20
EAST1224YA0	3.2x2.4x2.5	● Brilliant YellowOrange	589	760	2020	1.7	2.3	20



UNIT : mm

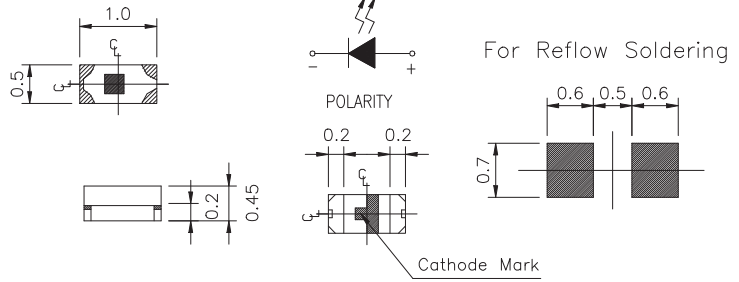


Product	Size (LxWxHmm)	Color	λ_d (nm)/ CIE(x,y)	I_v Min./Typ. (mcd)	I_v Max. (mcd)	V_F Min./Typ. (V)	V_F Max. (V)	I_F (mA)
EAST3224BA0	3.2x2.4x2.5	● Blue	470	715	1800	2.65	3.75	20
EAST3224GA0	3.2x2.4x2.5	● Brilliant Yellow	573	285	1120	1.7 / 2	2.4	20
EAST3224RA0	3.2x2.4x2.5	● Brilliant Red	624	1800	3600	1.75	2.35	20

SMD LED | Surface Mount Chip LED (PCB) | Top View 0402 (0.2T~0.5T)



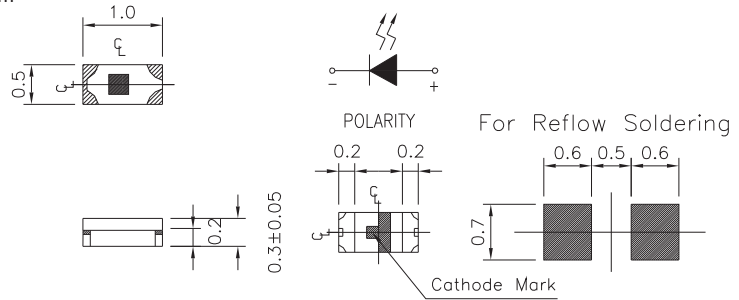
UNIT : mm



Product	Size (LxWxHmm)	Color	λ_d (nm)/CIE(x,y)	I_v Min./Typ. (mcd)	I_v Max. (mcd)	V_F Min./Typ. (V)	V_F Max. (V)	I_F (mA)
EAST1005BA0	1x0.5x0.45	● Blue	470	28.5	72	2.7 / 3.3	3.7	20
EAST1005BA1	1x0.5x0.45	● Blue	470	11.5	28.5	2.7	3.2	5
EAST1005GA0	1x0.5x0.45	● Brilliant Green	525	112	225	2.7 / 3.3	3.7	20
EAST1005RA0	1x0.5x0.45	● Brilliant Red	624	20	40.5	1.7	2.2	10
EAST1005WA0	1x0.5x0.45	○ Pure White	x=0.29, y=0.30	45	112	2.7	3.2	5
EAST1005WA1	1x0.5x0.45	○ Pure White	x=0.29, y=0.30	72	140	2.7	3.2	5



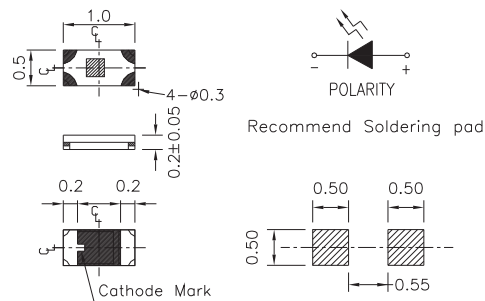
UNIT : mm



Product	Size (LxWxHmm)	Color	λ_d (nm)/CIE(x,y)	I_v Min./Typ. (mcd)	I_v Max. (mcd)	V_F Min./Typ. (V)	V_F Max. (V)	I_F (mA)
EAST10053WA0	1x0.5x0.3	○ Pure White	x=0.29, y=0.30	72	180	2.6	3	5



UNIT : mm

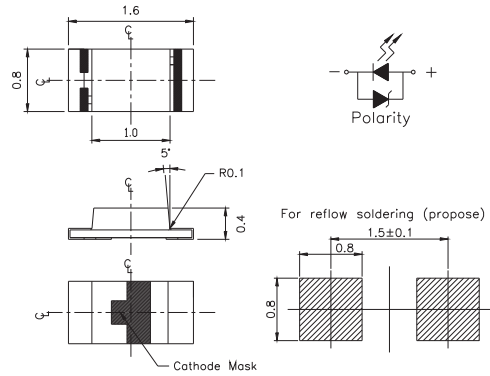


Product	Size (LxWxHmm)	Color	λ_d (nm)/CIE(x,y)	I_v Min./Typ. (mcd)	I_v Max. (mcd)	V_F Min./Typ. (V)	V_F Max. (V)	I_F (mA)
EAST10052WA0	1x0.5x0.2	○ Pure White	x=0.29, y=0.30	140	360	2.7	3.2	5

SMD LED | Surface Mount Chip LED (PCB) | Top View 0603 (0.2T~0.8T)



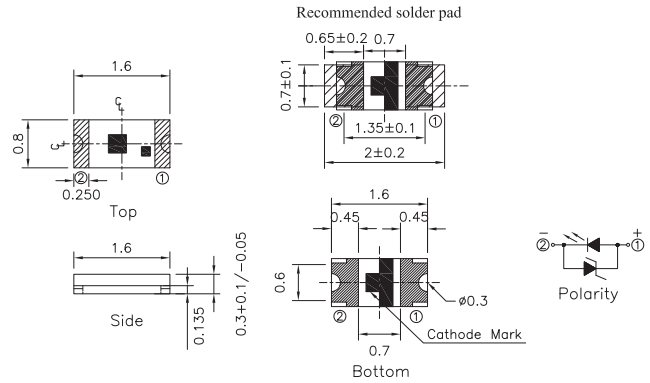
UNIT : mm



Product	Size (LxWxHmm)	Color	λ_d (nm)/CIE(x,y)	I_v Min./Typ. (mcd)	I_v Max. (mcd)	V_F Min./Typ. (V)	V_F Max. (V)	I_F (mA)
EAST16084WA4	1.6x0.8x0.4	○ Pure White	x=0.274, y=0.226	72	180	2.7	2.85	5
EAST16084BA0	1.6x0.8x0.4	● Blue	470	11.5	28.5	2.5	3.1	5
EAST16084WA0	1.6x0.8x0.4	○ Pure White	x=0.274, y=0.226	57	112	2.7	3.2	5



UNIT : mm

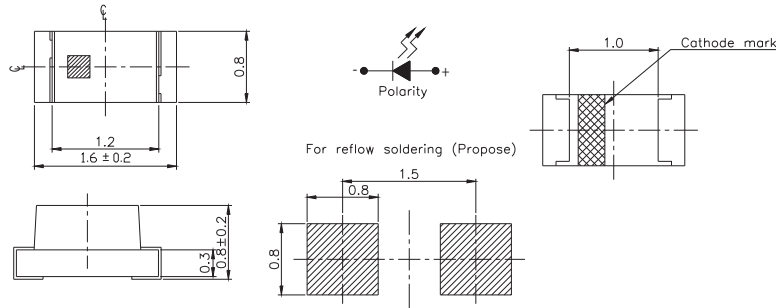


Product	Size (LxWxHmm)	Color	λ_d (nm)/CIE(x,y)	I_v Min./Typ. (mcd)	I_v Max. (mcd)	V_F Min./Typ. (V)	V_F Max. (V)	I_F (mA)
EAST16083BA0	1.6x0.8x0.3	● Blue	470	11.5	28.5	2.7	3.2	5
EAST16083BA2	1.6x0.8x0.3	● Blue	470	22.5	57	2.7	3	5

SMD LED | Surface Mount Chip LED (PCB) | Top View 0603 (0.2T~0.8T)



UNIT : mm

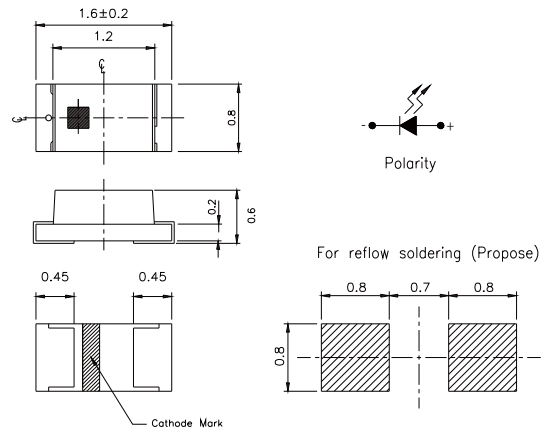


Product	Size (LxWxHmm)	Color	λ_d (nm)/CIE(x,y)	I_v Min./Typ. (mcd)	I_v Max. (mcd)	V_F Min./Typ. (V)	V_F Max. (V)	I_F (mA)
EAST1608BA0	1.6x0.8x0.8	● Blue	470	57	112	2.75	3.95	20
EAST1608BA1	1.6x0.8x0.8	● Blue	470	45	112	2.7 / 3.3	3.7	20
EAST1608BA2	1.6x0.8x0.8	● Blue	470	72	180	2.7	3.7	20
EAST1608GA0	1.6x0.8x0.8	● Brilliant Yellow Green	573	11.5	28.5	1.7	2.3	5
EAST1608GA1	1.6x0.8x0.8	● Brilliant Yellow Green	573	18	45	1.75	2.35	20
EAST1608GA2	1.6x0.8x0.8	● Brilliant Yellow Green	573	45	90	1.7	2.3	20
EAST1608GA3	1.6x0.8x0.8	● Brilliant Green	525	28.5	72	2.7	3.2	5
EAST1608GA4	1.6x0.8x0.8	● Green	562	11.5	28.5	1.75	2.35	20
EAST1608RA0	1.6x0.8x0.8	● Brilliant Red	624	14.5	36	1.7	2.2	5
EAST1608RA1	1.6x0.8x0.8	● Brilliant Red	624	45	112	1.7	2.3	20
EAST1608RA2	1.6x0.8x0.8	● Deep Red	631	7.2	18	1.75	2.35	5
EAST1608RA3	1.6x0.8x0.8	● Deep Red	631	36	90	1.75	2.35	20
EAST1608RA4	1.6x0.8x0.8	● Deep Red	639	36	90	1.7	2.3	20
EAST1608AA0	1.6x0.8x0.8	● Brilliant Orange	605	14.5	28.5	1.7	2.2	5
EAST1608AA1	1.6x0.8x0.8	● Brilliant Orange	605	72	180	1.75	2.35	20
EAST1608WA1	1.6x0.8x0.8	○ Pure White	x=0.274, y=0.226	45	112	2.6	3	5
EAST1608YA0	1.6x0.8x0.8	● Brilliant Yellow	589	11.5	28.5	1.7	2.2	5
EAST1608YA1	1.6x0.8x0.8	● Brilliant Yellow	589	45	112	1.75	2.35	20
EAST1608YA2	1.6x0.8x0.8	● Brilliant Yellow	590	45	112	1.7	2.4	20
EAST1608YA3	1.6x0.8x0.8	● Brilliant Yellow	589	53 / 80	N	1.7	2	20
EAST1608AA2	1.6x0.8x0.8	● Brilliant Orange	605	28.5	72	1.75	2.35	20
EAST1608GA5	1.6x0.8x0.8	● Brilliant Yellow Green	572	22.5	57	1.75	2.35	20
EAST1608GA6	1.6x0.8x0.8	● Green	568	11.5	45	1.75	2.35	20
EAST1608GA8	1.6x0.8x0.8	● Green	573	13	17	1.7	2.4	20
EAST1608GA9	1.6x0.8x0.8	● Green	573	16 / 21	N	1.7	2.4	20
EAST1608RA5	1.6x0.8x0.8	● Deep Red	639	15 / 27	N	2	2.4	20
EAST1608RA6	1.6x0.8x0.8	● Brilliant Red	624	37 / 56	N	2	2.4	20

SMD LED | Surface Mount Chip LED (PCB) | Top View 0603 (0.2T~0.8T)



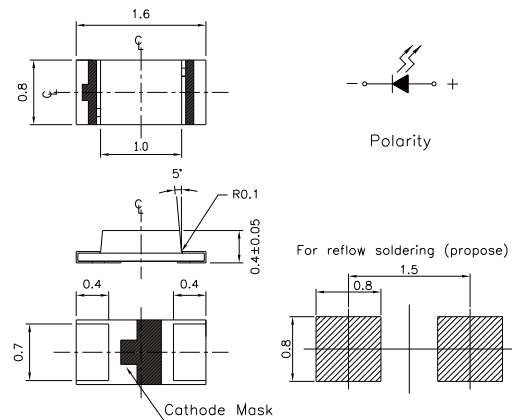
UNIT : mm



Product	Size (LxWxHmm)	Color	λ_d (nm)/CIE(x,y)	I_V Min./Typ. (mcd)	I_V Max. (mcd)	V_F Min./Typ. (V)	V_F Max. (V)	I_F (mA)
EAST16086WA0	1.6x0.8x0.6	○ Pure White	x=0.274, y=0.226	57	112	2.7	3.15	5
EAST16086WA2	1.6x0.8x0.6	○ Pure White	x=0.294, y=0.256	180	360	2.9	3.6	20



UNIT : mm



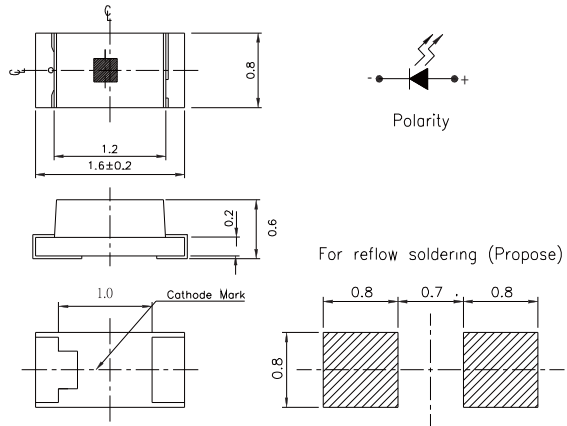
Product	Size (LxWxHmm)	Color	λ_d (nm)/CIE(x,y)	I_V Min./Typ. (mcd)	I_V Max. (mcd)	V_F Min./Typ. (V)	V_F Max. (V)	I_F (mA)
EAST16084BA1	1.6x0.8x0.4	● Blue	470	28.5	112	2.75	3.65	20
EAST16084BA2	1.6x0.8x0.4	● Blue	470	28.5	72	2.7 / 3.3	3.7	20
EAST16084GA1	1.6x0.8x0.4	● Brilliant Green	525	112	285	2.7 / 3.3	3.7	20
EAST16084RA0	1.6x0.8x0.4	● Brilliant Red	624	45	112	1.7 / 2	2.4	20
EAST16084AA0	1.6x0.8x0.4	● Brilliant Orange	605	11.5	28.5	1.7	2.2	5
EAST16084OA0	1.6x0.8x0.4	● Reddish Orange	615	14.5	36	1.7	2.2	5
EAST16084WA1	1.6x0.8x0.4	○ Pure White	x=0.274, y=0.226	28.5	72	2.7	3.15	5
EAST16084WA2	1.6x0.8x0.4	○ Pure White	x=0.274, y=0.226	45	112	2.7	3.2	5
EAST16084WA3	1.6x0.8x0.4	○ Pure White	x=0.274, y=0.226	45	112	2.6	3	5
EAST16084YA0	1.6x0.8x0.4	● Brilliant Yellow	589	16	40	1.65	2.25	5
EAST16084YA1	1.6x0.8x0.4	● Brilliant Yellow	589	45	112	1.75	2.35	20
EAST16084YA2	1.6x0.8x0.4	● Brilliant Yellow	589	90	180	1.7 / 2	2.4	20

SMD LED

SMD LED | Surface Mount Chip LED (PCB) | Top View 0603 (0.2T~0.8T)



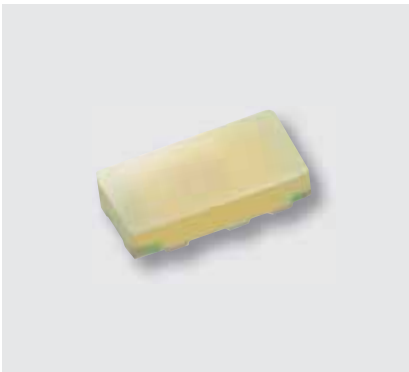
UNIT : mm



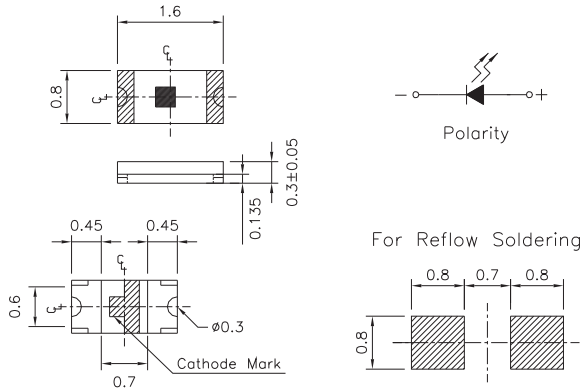
SMD LED

Product	Size (LxWxHmm)	Color	λ_d (nm)/CIE(x,y)	I_v Min./Typ. (mcd)	I_v Max. (mcd)	V_F Min./Typ. (V)	V_F Max. (V)	I_F (mA)
EAST16086YA0	1.6x0.8x0.6	● Brilliant Yellow	589	72	180	1.7 / 2	2.4	20
EAST16086BA0	1.6x0.8x0.6	● Blue	470	90	225	2.9	3.6	20
EAST16086BA1	1.6x0.8x0.6	● Blue	470	28.5	72	2.7 / 3.3	3.7	20
EAST16086GA0	1.6x0.8x0.6	● Brilliant Yellow Green	573	45	112	2	2.4	20
EAST16086GA3	1.6x0.8x0.6	● Brilliant Yellow Green	573	18	45	1.75	2.35	20
EAST16086GA4	1.6x0.8x0.6	● Brilliant Yellow Green	573	36	90	1.7	2.3	20
EAST16086GA5	1.6x0.8x0.6	● Brilliant Yellow Green	573	28.5	57	1.75	2.35	20
EAST16086GA1	1.6x0.8x0.6	● Brilliant Green	525	180	360	2.7	3.7	20
EAST16086GA6	1.6x0.8x0.6	● Brilliant Green	525	45	112	2.7	3.2	5
EAST16086GA7	1.6x0.8x0.6	● Brilliant Green	525	112	285	3.5	4	20
EAST16086RA0	1.6x0.8x0.6	● Brilliant Red	624	22.5	57	1.7	2.2	5
EAST16086RA2	1.6x0.8x0.6	● Brilliant Red	624	28.5	72	1.7 / 2	2.4	20
EAST16086RA3	1.6x0.8x0.6	● Brilliant Red	624	36	90	1.75	2.35	20
EAST16086RA4	1.6x0.8x0.6	● Brilliant Red	624	45	112	1.75	2.35	20
EAST16086RA5	1.6x0.8x0.6	● Brilliant Red	624	72	180	1.75	2.35	20
EAST16086RA1	1.6x0.8x0.6	● Deep Red	639	28.5	72	1.7 / 2	2.4	20
EAST16086AA0	1.6x0.8x0.6	● Brilliant Orange	605	28.5	72	1.75	2.35	20
EAST16086OA0	1.6x0.8x0.6	● Reddish Orange	615	36	72	1.75	2.35	20
EAST16086WA3	1.6x0.8x0.6	○ Pure White	x=0.274, y=0.226	28.5	72	2.7	3.15	5
EAST16086YA1	1.6x0.8x0.6	● Brilliant Yellow	589	45	112	1.75	2.35	20
EAST16086YA2	1.6x0.8x0.6	● Brilliant Yellow	589	28.5	72	1.7 / 2	2.4	20
EAST16086YA3	1.6x0.8x0.6	● Brilliant Yellow	589	45	112	1.7	2.3	20
EAST16086YA4	1.6x0.8x0.6	● Brilliant Yellow	589	90	180	1.7	2.3	20
EAST1608BA2	1.6x0.8x0.6	● Blue	470	72	180	2.7	3.7	20
EAST16086GA2	1.6x0.8x0.6	● Brilliant Yellow Green	573	57	112	1.7 / 2	2.4	20
EAST16086RA6	1.6x0.8x0.6	● Brilliant Red	624	140	285	1.75	2.35	20
EAST16086RA7	1.6x0.8x0.6	● Dark Red	631	72	180	1.7 / 2	2.4	20
EAST16086YA5	1.6x0.8x0.6	● Brilliant Yellow	589	36	72	1.7	2.2	10
EAST16086GA8	1.6x0.8x0.6	● Brilliant Yellow Green	573	36	75	1.75	2.35	20
EAST16086GB1	1.6x0.8x0.6	● Brilliant Yellow Green	573	28 / 33	--	2	2.4	20
EAST16086AA1	1.6x0.8x0.6	● Brilliant Orange	605	16 / 24	--	1.7 / 2	2.4	20

SMD LED | Surface Mount Chip LED (PCB) | Top View 0603 (0.2T~0.8T)



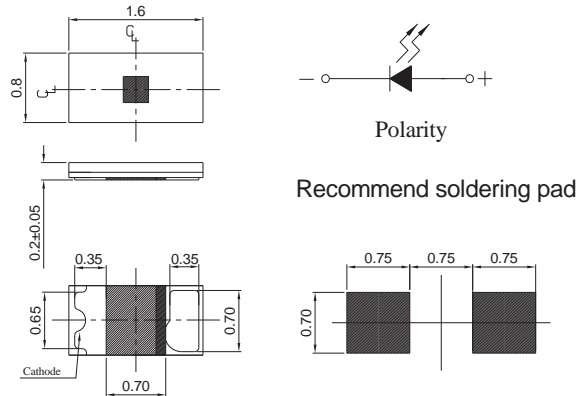
UNIT : mm



Product	Size (LxWxHmm)	Color	λ_d (nm)/CIE(x,y)	I_v Min./Typ. (mcd)	I_v Max. (mcd)	V_F Min./Typ. (V)	V_F Max. (V)	I_F (mA)
EAST16083BA1	1.6x0.8x0.3	● Blue	470	11.5	28.5	2.7	3.2	5
EAST16083GA0	1.6x0.8x0.3	● Brilliant Green	525	112	285	2.75	3.95	20
EAST16083RA0	1.6x0.8x0.3	● Brilliant Red	624	11.5	28.5	1.7	2.2	5
EAST16083RA1	1.6x0.8x0.3	● Brilliant Red	624	22.5	57	1.7	2	5
EAST16083WA2	1.6x0.8x0.3	○ Pure White	x=0.274, y=0.226	90	180	2.6	3	5
EAST16083GA1	1.6x0.8x0.3	● Brilliant Yellow	573	7.2	18	1.7	2	5



UNIT : mm



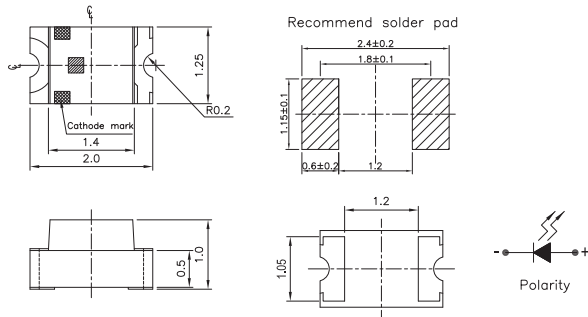
Product	Size (LxWxHmm)	Color	λ_d (nm)/CIE(x,y)	I_v Min./Typ. (mcd)	I_v Max. (mcd)	V_F Min./Typ. (V)	V_F Max. (V)	I_F (mA)
EAST16082WA0	1.6x0.8x0.2	○ Pure White	x=0.274, y=0.226	90	180	2.6	3	5
EAST16082WA1	1.6x0.8x0.2	○ Pure White	x=0.274, y=0.226	715	1420	2.75	3.65	20
EAST16082YA0	1.6x0.8x0.2	● Brilliant Yellow	589	18	45	1.7	2.2	5

SMD LED

SMD LED | Surface Mount Chip LED (PCB) | Top View 0805



UNIT : mm



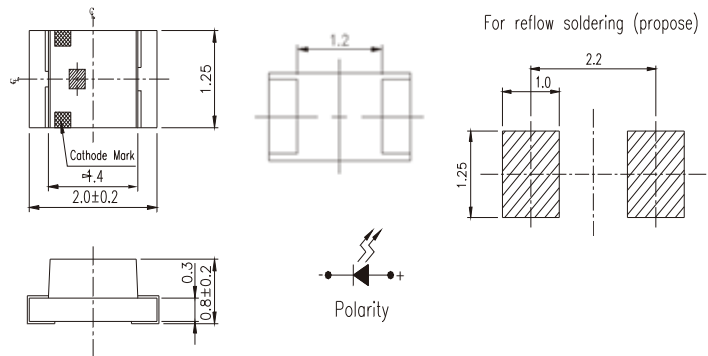
Product	Size (LxWxHmm)	Color	λ_d (nm)/CIE(x,y)	I_v Min./Typ. (mcd)	I_v Max. (mcd)	V_F Min./Typ. (V)	V_F Max. (V)	I_F (mA)
EAST2012BA1	2x1.25x1	Blue	470	28.5	72	3.5	4	20
EAST2012BA2	2x1.25x1	Blue	470	45	112	2.7 / 3.3	3.7	20
EAST2012BA0	2x1.25x1	Blue	470	11.5	28.5	2.7	3.1	5
EAST2012GA0	2x1.25x1	Brilliant Yellow Green	573	28.5	57	1.75	2.35	20
EAST2012GA1	2x1.25x1	Brilliant Yellow Green	573	45	90	1.75	2.35	20
EAST2012GA2	2x1.25x1	Brilliant Yellow Green	573	18	45	1.75	2.35	20
EAST2012GA3	2x1.25x1	Brilliant Yellow Green	573	28.5	72	1.75	2.35	20
EAST2012GA4	2x1.25x1	Brilliant Yellow Green	573	45	90	1.75	2.35	20
EAST2012GA5	2x1.25x1	Brilliant Green	525	180	450	2.75	3.95	20
EAST2012GA6	2x1.25x1	Brilliant Green	525	112	285	3.5	4	20
EAST2012GA7	2x1.25x1	Green	562	7.2	22.5	1.75	2.35	20
EAST2012GA8	2x1.25x1	Green	565	18	72	1.75	2.35	20
EAST2012RA0	2x1.25x1	Brilliant Red	624	36	90	1.75	2.35	20
EAST2012RA1	2x1.25x1	Brilliant Red	624	45	112	1.7	2.3	20
EAST2012RA2	2x1.25x1	Deep Red	631	36	90	1.75	2.35	20
EAST2012RA3	2x1.25x1	Deep Red	631	36	90	1.75	2.35	20
EAST2012GA9	2x1.25x1	Brilliant Yellow Green	573	12 / 17	--	1.7	2.4	20
EAST2012OA0	2x1.25x1	Reddish Orange	615	15 / 38	--	1.7	2.4	20
EAST2012WA1	2x1.25x1	Pure White	x=0.274, y=0.226	57	140	2.6	3	5
EAST2012YA3	2x1.25x1	Brilliant Yellow	589	28.5	72	1.75	2.35	20
EAST2012WA3	2x1.25x1	Pure White	x=0.274, y=0.226	45	112	2.7	3.15	5
EAST2012YA0	2x1.25x1	Brilliant Yellow	589	28.5	72	1.7 / 2	2.4	20
EAST2012YA1	2x1.25x1	Brilliant Yellow	589	28.5	72	1.75	2.35	20
EAST2012YA2	2x1.25x1	Brilliant Yellow	589	57	112	1.75	2.35	20
EAST2012AA0	2x1.25x1	Brilliant Orange	605	40 / 60	--	2	2.4	20

SMD LED

SMD LED | Surface Mount Chip LED (PCB) | Top View 0805

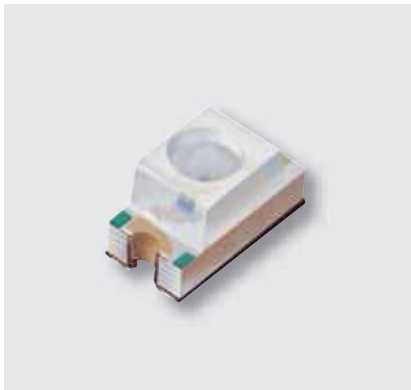


UNIT : mm

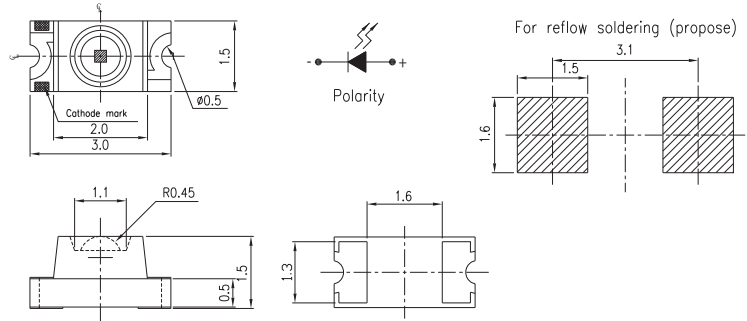


Product	Size (LxWxHmm)	Color	λ_d (nm)/ CIE(x,y)	I_v Min./Typ. (mcd)	I_v Max. (mcd)	V_f Min./Typ. (V)	V_f Max. (V)	I_f (mA)
EAST20128BA1	2x1.25x0.8	● Blue	470	28.5	72	2.7 / 3.3	3.7	20
EAST20128BA2	2x1.25x0.8	● Blue	470	57	112	2.75	3.95	20
EAST20128GA0	2x1.25x0.8	● Brilliant Yellow Green	573	18	45	1.7	2.3	20
EAST20128GA1	2x1.25x0.8	● Brilliant Yellow Green	573	36	72	1.75	2.35	20
EAST20128RA0	2x1.25x0.8	● Brilliant Red	624	72	180	1.75	2.35	20
EAST20128AA0	2x1.25x0.8	● Brilliant Orange	605	72	180	1.75	2.35	20
EAST20128AA1	2x1.25x0.8	● Brilliant Orange	605	57	180	1.75	2.35	20
EAST20128GA2	2x1.25x0.8	● Brilliant Yellow Green	573	180	450	2.7 / 3.3	3.7	20
EAST20128GA3	2x1.25x0.8	● Brilliant Green	525	112	285	2.7 / 3.3	3.7	20
EAST20128GA4	2x1.25x0.8	● Brilliant Yellow Green	568	11.6	45	1.75	2.35	20
EAST20128RA1	2x1.25x0.8	● Deep Red	632	36	72	1.75	2.35	20
EAST20128RA2	2x1.25x0.8	● Deep Red	638	28.5	72	1.7 / 2	2.4	20

SMD LED | Surface Mount Chip LED (PCB) | Top View 1206



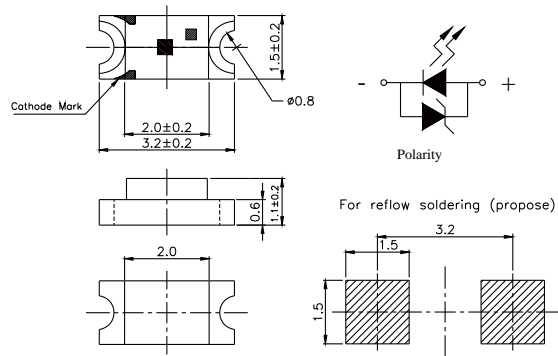
UNIT : mm



Product	Size (LxWxHmm)	Color	λ_d (nm)/CIE(x,y)	I_v Min./Typ. (mcd)	I_v Max. (mcd)	V_F Min./Typ. (V)	V_F Max. (V)	I_F (mA)
EAST3015GA0	3x1.5x1.5	● Brilliant Yellow Green	573	72	180	1.75	2.35	20
EAST3015GA1	3x1.5x1.5	● Brilliant Yellow Green	573	36	72	1.75	2.35	20
EAST3015GA2	3x1.5x1.5	● Brilliant Green	525	285	715	3.5 / 4.3	--	20
EAST3015RA0	3x1.5x1.5	● Brilliant Red	624	45	112	1.7	2.3	10
EAST3015RA1	3x1.5x1.5	● Brilliant Red	624	140	285	1.75	2.35	20
EAST3015YA0	3x1.5x1.5	● Brilliant Yellow	589	57	112	1.75	2.35	20
EAST3015GA3	3x1.5x1.5	● Brilliant Yellow Green	639	63 / 100	N	1.7	2.4	20
EAST3015RA2	3x1.5x1.5	● Deep Red	639	40 / 62	N	1.7	2.4	20
EAST3015RA3	3x1.5x1.5	● Brilliant Red	624	68 / 102	N	1.7	2.4	20
EAST3015YA1	3x1.5x1.5	● Brilliant Yellow	589	68 / 106	N	2	2.4	20



UNIT : mm

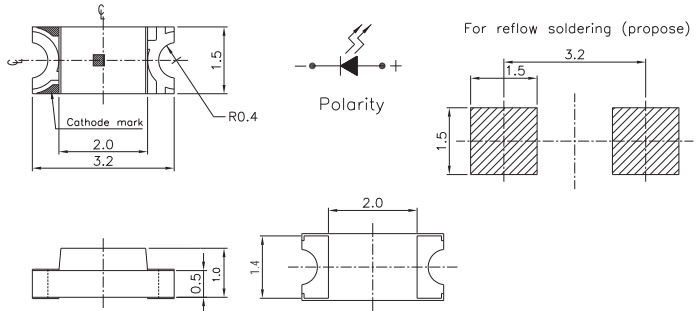


Product	Size (LxWxHmm)	Color	λ_d (nm)/CIE(x,y)	I_v Min./Typ. (mcd)	I_v Max. (mcd)	V_F Min./Typ. (V)	V_F Max. (V)	I_F (mA)
EAST3215BA0	3.2x1.5x1	● Blue	470	28.5	72	2.7 / 3.3	3.7	20
EAST3215BA1	3.2x1.5x1	● Blue	470	14.5	36	2.7	3.2	5
EAST3215WA0	3.2x1.5x1	○ Pure White	x=0.274, y=0.226	45	112	2.7	3.15	5

SMD LED | Surface Mount Chip LED (PCB) | Top View 1206



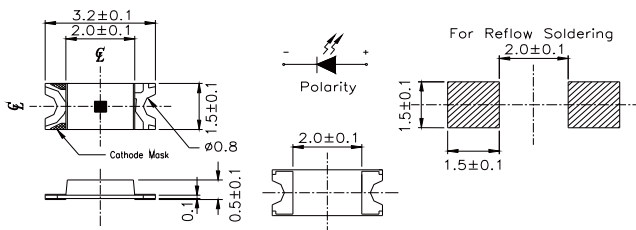
UNIT : mm



Product	Size (LxWxHmm)	Color	λ_d (nm)/CIE(x,y)	I_v Min./Typ. (mcd)	I_v Max. (mcd)	V_F Min./Typ. (V)	V_F Max. (V)	I_F (mA)
EAST3215GA7	3.2x1.5x1	Brilliant Yellow Green	573	16 / 24	--	1.7 / 2	2	20
EAST3215BA3	3.2x1.5x1	Blue	470	72	140	2.7	3.7	20
EAST3215BA4	3.2x1.5x1	Blue	470	28.5	72	2.7 / 3.3	3.7	20
EAST3215GA0	3.2x1.5x1	Brilliant Yellow Green	573	7.2	18	1.7	2.2	5
EAST3215GA1	3.2x1.5x1	Brilliant Yellow Green	573	18	45	1.75	2.35	20
EAST3215GA2	3.2x1.5x1	Brilliant Yellow Green	573	45	90	1.7	2.3	20
EAST3215GA3	3.2x1.5x1	Brilliant Green	525	140	285	2.7 / 3.3	3.7	20
EAST3215GA6	3.2x1.5x1	Brilliant Yellow Green	573	15 / 21	--	2	2.4	20
EAST3215RA0	3.2x1.5x1	Brilliant Red	624	28.5	72	1.7 / 2	2.4	20
EAST3215RA1	3.2x1.5x1	Brilliant Red	624	72	140	1.75	2.35	20
EAST3215RA6	3.2x1.5x1	Brilliant Red	624	85 / 133	--	2	2.4	20
EAST3215YA2	3.2x1.5x1	Brilliant Yellow	589	51 / 77	--	2	2.4	20
EAST3215OA0	3.2x1.5x1	Reddish Orange	615	45	112	1.7 / 2.0	2.4	20
EAST3215WA1	3.2x1.5x1	Pure White	x=0.274, y=0.226	45	112	2.6	3	5
EAST3215WA2	3.2x1.5x1	Pure White	x=0.274, y=0.226	90	225	2.7	3.3	5
EAST3215WA3	3.2x1.5x1	Pure White	x=0.274, y=0.226	45 / 72	112	2.7 / 2.9	3.15	5
EAST3215YA0	3.2x1.5x1	Brilliant Yellow	589	28.5	72	1.7 / 2	2.4	20
EAST3215YA1	3.2x1.5x1	Brilliant Yellow	589	45	112	1.75	2.35	20



UNIT : mm

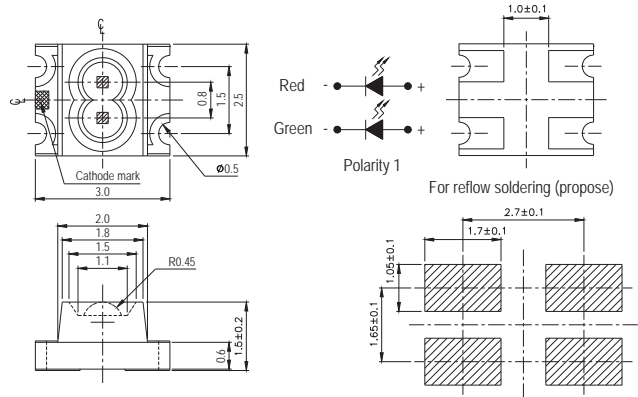


Product	Size (LxWxHmm)	Color	λ_d (nm)/CIE(x,y)	I_v Min./Typ. (mcd)	I_v Max. (mcd)	V_F Min./Typ. (V)	V_F Max. (V)	I_F (mA)
EAST3215GA8	3.2x1.5x0.5	Brilliant Yellow Green	573	28.5	72	1.75	2.35	20
EAST3215RA7	3.2x1.5x0.5	Brilliant Red	624	22.5	57	1.7	2.2	5
EAST3215RA2	3.2x1.5x0.5	Brilliant Red	624	45	90	1.7	2.3	20

SMD LED | Surface Mount Chip LED (PCB) | Top View Bi-Color



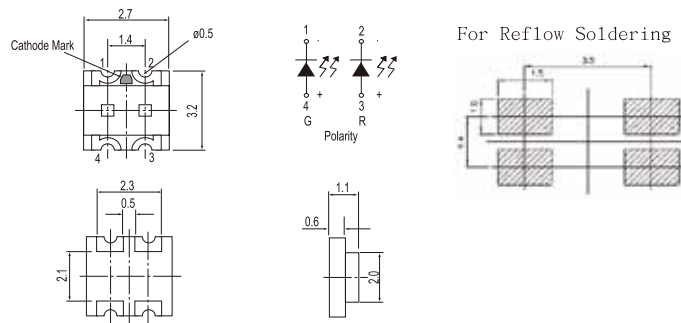
UNIT : mm



Product	Size (LxWxHmm)	Color	λ_d (nm)/ CIE(x,y)	I_v Min./Typ. (mcd)	I_v Max. (mcd)	V_F Min./Typ. (V)	V_F Max. (V)	I_F (mA)
EAST3025RGA0	3x2.5x1.5	● Brilliant Red ● Brilliant Yellow Green	624 573	140 45	225 72	1.7 / 2	2.4	20
EAST3025RGA2	3x2.5x1.5	● Brilliant Red ● Brilliant Yellow Green	624 565	450 715	1120 1800	1.7 / 2 2.7 / 3.3	R6S : 2.4 SG : 3.7	20
EAST3025RBA0	3x2.5x1.5	● Brilliant Red ● Blue	624 470	90 / 140 72 / 110	--	1.7 2.7	2.4 3.7	20
EAST3025RGA3	3x2.5x1.5	● Deep Red ● Brilliant Yellow Green	639 573	180 72	450 180	1.7 1.7	2.4 2.4	20
EAST3025RGA4	3x2.5x1.5	● Brilliant Red ● Brilliant Yellow Green	624 573	21 / 51 14 / 21	--	1.7 1.7	2.4 2.4	20
EAST3025YGA4	3x2.5x1.5	● Brilliant Yellow ● Brilliant Yellow Green	589 573	21 / 51 14 / 21	--	1.7 1.7	2.4 2.4	20



UNIT : mm

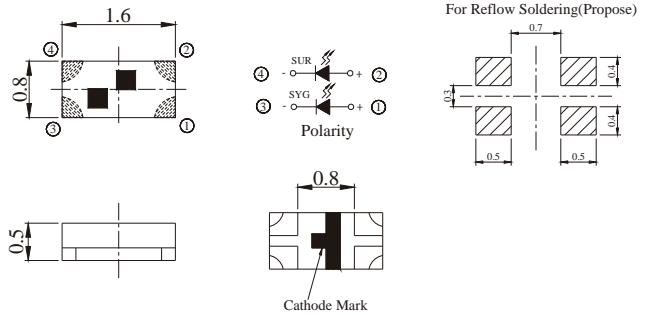


Product	Size (LxWxHmm)	Color	λ_d (nm)/ CIE(x,y)	I_v Min./Typ. (mcd)	I_v Max. (mcd)	V_F Min./Typ. (V)	V_F Max. (V)	I_F (mA)
EAST3527RGA0	3.2x2.7x1.1	● Brilliant Red ● Brilliant Yellow Green	624 573	28.5 28.5	72 72	1.7 / 2 1.7 / 2	2.4 2.4	20
EAST3527RGA1	3.2x2.7x1.1	● Brilliant Red ● Brilliant Yellow Green	624 525	90 / 130 112 / 165	--	1.7 / 2 2.7 / 3.3	2.4 3.7	20
EAST3527RGA2	3.2x2.7x1.1	● Brilliant Red ● Brilliant Yellow Green	624 573	34 / 54 24 / 34	--	N / 2 N / 2	2.4 2.4	20

SMD LED | Surface Mount Chip LED (PCB) | Top View Bi-Color



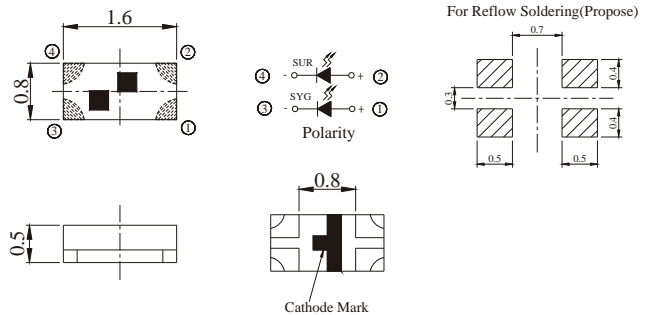
UNIT : mm



Product	Size (LxWxHmm)	Color	λ_d (nm)/CIE(x,y)	I_v Min./Typ. (mcd)	I_v Max. (mcd)	V_F Min./Typ. (V)	V_F Max. (V)	I_F (mA)
EAST1608BRA0	1.6x0.8x0.5	Blue Brilliant Red	470 624	18 / 28.5 18 / 28.5	--	2.7 / 3.3 1.7 / 2.0	3.7 2.4	5
EAST1608RGA2	1.6x0.8x0.5	Brilliant Red Brilliant Yellow Green	624 573	45 28.5	112 72	1.7 / 2 1.7 / 2	2.4 2.4	20
EAST1608AGA0	1.6x0.8x0.5	Brilliant Orange Brilliant Yellow Green	605 573	32 / 48 16 / 24	--	1.7 / 2 1.7 / 2	2.4 2.4	20
EAST1608RGA3	1.6x0.8x0.5	Brilliant Red Brilliant Yellow Green	624 573	51 / 76 29 / 34	--	1.7 1.7	2.4 2.4	20



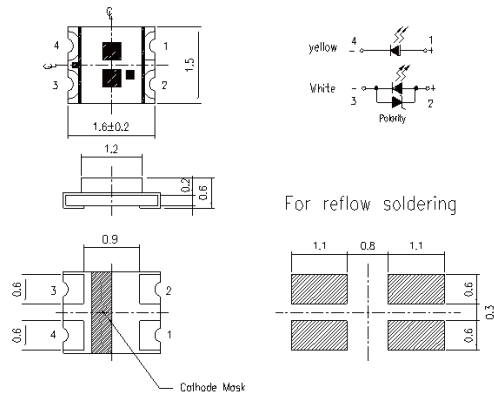
UNIT : mm



Product	Size (LxWxHmm)	Color	λ_d (nm)/CIE(x,y)	I_v Min./Typ. (mcd)	I_v Max. (mcd)	V_F Min./Typ. (V)	V_F Max. (V)	I_F (mA)
EAST1608RGA0	1.6x0.8x0.5	Brilliant Red Brilliant Green	R6 : 624 GH : 525	R6 : 28.5 GH : 72	R6 : 72 GH : 180	R6 : 1.7 / 2 GH : 2.7 / 3.3	R6 : 2.4 GH : 3.7	10



UNIT : mm

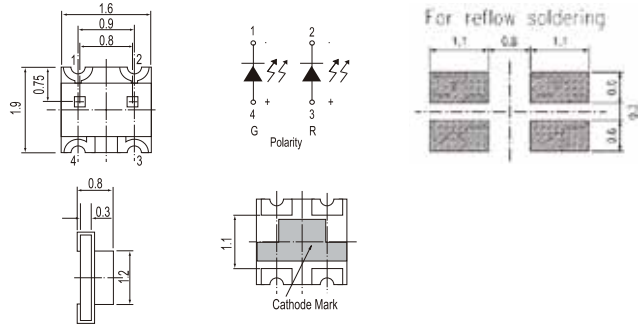


Product	Size (LxWxHmm)	Color	λ_d (nm)/CIE(x,y)	I_v Min./Typ. (mcd)	I_v Max. (mcd)	V_F Min./Typ. (V)	V_F Max. (V)	I_F (mA)
EAST1615YWA0	1.6x1.5x0.6	Brilliant Yellow Pure White	Y2S : 589 x=0.274, y=0.226	Y2S : 28.5 T1 : 45	Y2S : 72 T1 : 112	Y2S : 1.7 / 2 T1 : 2.7 / 3.3	Y2S : 2.4 T1 : 3.7	5

SMD LED | Surface Mount Chip LED (PCB) | Top View Bi-Color



UNIT : mm

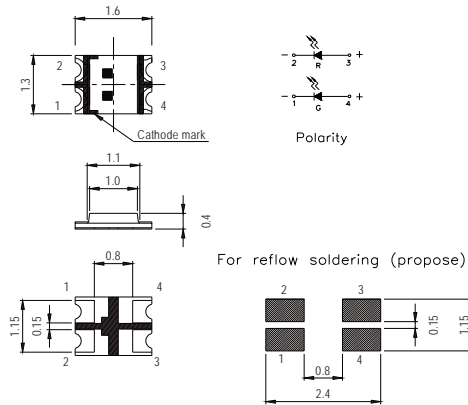


Product	Size (LxWxHmm)	Color	λ_d (nm)/ CIE(x,y)	I_v Min./Typ. (mcd)	I_v Max. (mcd)	V_F Min./Typ. (V)	V_F Max. (V)	I_F (mA)
EAST1916GRA0	1.9x1.6x0.8	● Brilliant Red ● Brilliant Yellow Green	624 573	45 22.5	90 57	1.7 / 2 1.7 / 2	2.4 2.4	20
EAST1916RBA0	1.9x1.6x0.8	● Brilliant Red ● Blue	624 470	14.5 / 20 14.5 / 20	--	1.9 2.9	2.3 3.3	5
EAST1916RGA0	1.9x1.6x0.8	● Brilliant Red ● Brilliant Yellow Green	624 573	45 45	72 72	1.7 / 2 1.7 / 2	2.4 2.4	20
EAST1916RGA1	1.9x1.6x0.8	● Brilliant Red ● Brilliant Green	624 525	14.5 / 20 45 / 65	--	1.9 2.9	2.3 3.4	5
EAST1916YGA0	1.9x1.6x0.8	● Brilliant Yellow Green ● Brilliant Yellow	573 589	28.5 45	72 112	1.7 / 2 1.7 / 2	2.4 2.4	20

SMD LED

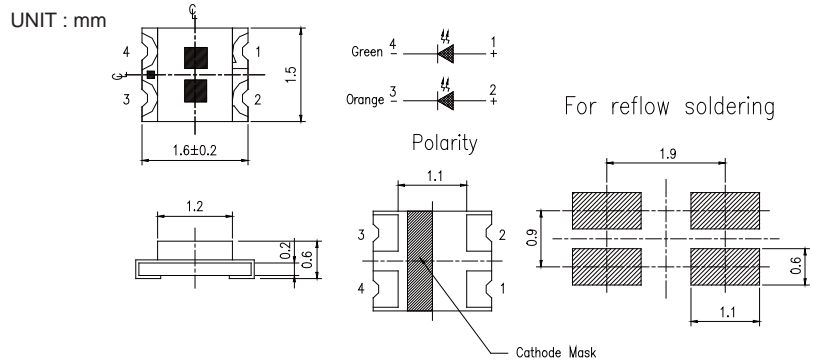


UNIT : mm



Product	Size (LxWxHmm)	Color	λ_d (nm)/ CIE(x,y)	I_v Min./Typ. (mcd)	I_v Max./Typ. (mcd)	V_F Min./Typ. (V)	V_F Max. (V)	I_F (mA)
EAST1613RGA0	1.6x1.3x0.4	● Brilliant Red ● Brilliant Yellow Green	624 573	22.5 7.2	Max. 57 18	1.7 / 2 1.7 / 2	2.4 2.4	10
EAST1613RGA1	1.6x1.3x0.4	● Brilliant Red ● Brilliant Green	624 525	72 112	Max. 140 225	1.7 / 2 2.7 / 3.3	2.4 3.7	20

SMD LED | Surface Mount Chip LED (PCB) | Top View Bi-Color



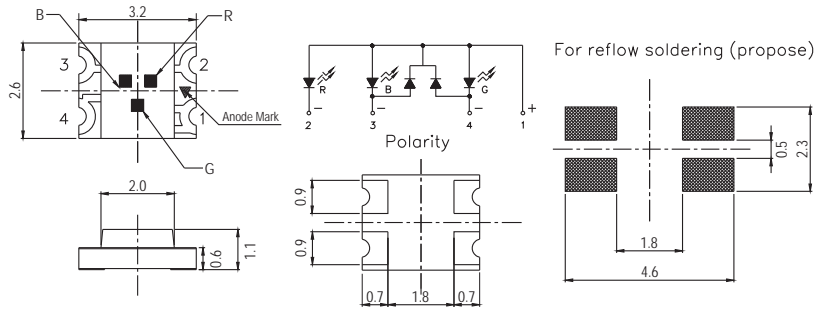
Product	Size (LxWxHmm)	Color	λ_d (nm)/CIE(x,y)	I_v Min./Typ. (mcd)	I_v Max. (mcd)	V_F Min./Typ. (V)	V_F Max. (V)	I_F (mA)
EAST1615GAA0	1.6x1.5x0.6	● Brilliant Orange ● Brilliant Yellow Green	605 573	112 28.5	140 45	2 2	2.4 2.4	20
EAST1615RBA1	1.6x1.5x0.6	● Brilliant Red ● Blue	624 470	72 36	180 72	1.7 / 2 2.7 / 3.3	2.4 3.7	20
EAST1615RGA0	1.6x1.5x0.6	● Brilliant Red ● Brilliant Yellow Green	624 573	72 22.5	180 57	1.7 / 2 1.7 / 2	2.4 2.4	20
EAST1615RBA0	1.6x1.5x0.6	● Dark Red ● Blue	631 470	45 36	112 90	1.7 / 2 2.7 / 3.3	2.4 2.7 / 3.7	20
EAST1615RGA1	1.6x1.5x0.6	● Dark Red ● Brilliant Yellow Green	631 573	18 18	72 72	2 2	2.4 2.4	20
EAST1615ABA0	1.6x1.5x0.6	● Brilliant Orange ● Blue	605 470	72 36	140 72	1.7 / 2 3	2.4 3.5	20
EAST1615AWA0	1.6x1.5x0.6	● Brilliant Orange ○ Pure White	605 x=0.274, y=0.226	18 45	45 112	1.55 2.7	2.15 3.3	5
EAST1615YGA0	1.6x1.5x0.6	● Brilliant Yellow Green ● Brilliant Yellow	573 589	28.5 36	57 72	1.7 / 2 1.7 / 2	2.4 2.4	20

SMD LED

SMD LED | Surface Mount Chip LED (PCB) | Top View Full Color



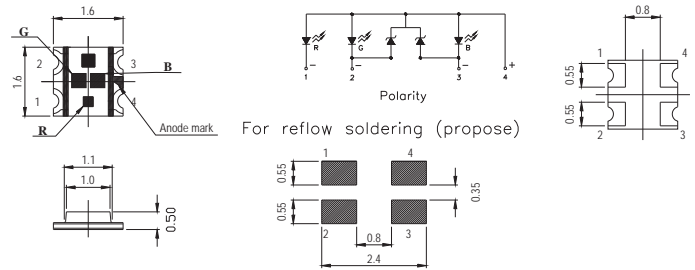
UNIT : mm



Product	Size (LxWxHmm)	Color	λ_d (nm)/ CIE(x,y)	I_v Min./Typ. (mcd)	I_v Max. (mcd)	V_F Min./Typ. (V)	V_F Max. (V)	I_F (mA)
EAST3226RGBAO	3.2x2.6x1.1	● Blue	470	45 / 70	--	2.7 / 3.3	3.7	20
		● Brilliant Red	624	90 / 140		1.7 / 2	2.4	
		● Brilliant Green	525	112 / 180		2.7 / 3.3	3.7	



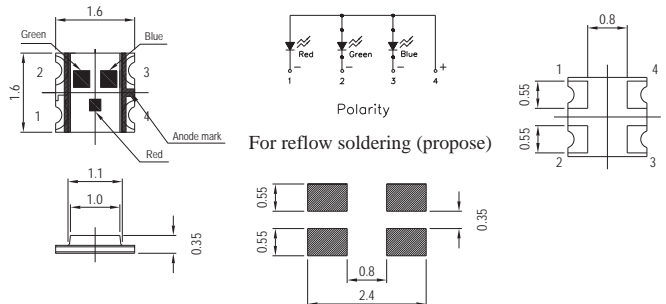
UNIT : mm



Product	Size (LxWxHmm)	Color	λ_d (nm)/ CIE(x,y)	I_v Min./Typ. (mcd)	I_v Max. (mcd)	V_F Min./Typ. (V)	V_F Max. (V)	I_F (mA)
EAST1616RGBAO	1.6x1.6x0.5	● Blue	470	28.5 / 50	--	2.7 / 3.3	3.7	20
		● Brilliant Red	624	72 / 100		1.7 / 2	2.4	
		● Brilliant Green	525	112 / 180		2.7 / 3.3	3.7	



UNIT : mm



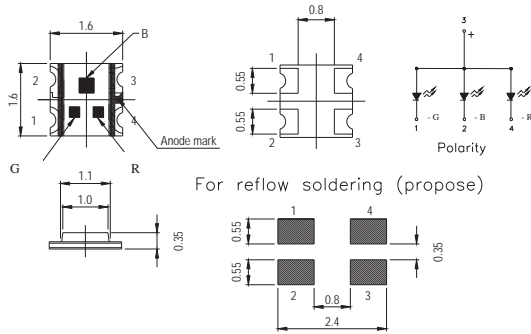
Product	Size (LxWxHmm)	Color	λ_d (nm)/ CIE(x,y)	I_v Min./Typ. (mcd)	I_v Max. (mcd)	V_F Min./Typ. (V)	V_F Max. (V)	I_F (mA)
EAST1616RGBBA3	1.6x1.6x0.35	● Blue	470	11.5 / 18	--	2.6	3	5
		● Brilliant Red	624	18 / 30		1.9	2.2	
		● Brilliant Green	525	28.5 / 60		2.6	3	

SMD LED

SMD LED | Surface Mount Chip LED (PCB) | Top View Full Color



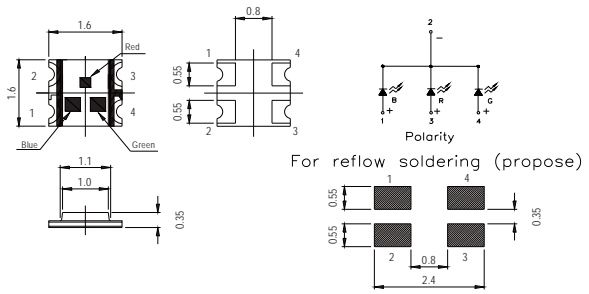
UNIT : mm



Product	Size (LxWxHmm)	Color	λ_d (nm)/ CIE(x,y)	I_v Min./Typ. (mcd)	I_v Max. (mcd)	V_F Min./Typ. (V)	V_F Max. (V)	I_F (mA)
EAST1616RGBA2	1.6x1.6x0.35	<ul style="list-style-type: none"> ● Blue ● Brilliant Red ● Brilliant Green 	470 624 525	28.5 / 50 72 / 100 112 / 180	-	3.3 2 3.3	3.9 2.4 3.9	20



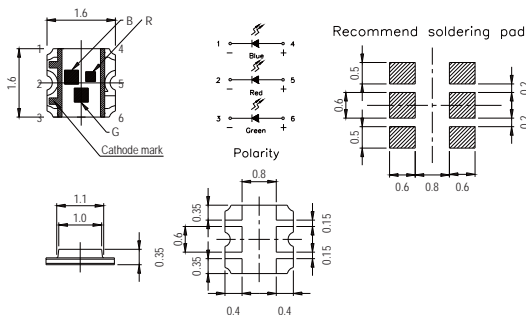
UNIT : mm



Product	Size (LxWxHmm)	Color	λ_d (nm)/ CIE(x,y)	I_v Min./Typ. (mcd)	I_v Max. (mcd)	V_F Min./Typ. (V)	V_F Max. (V)	I_F (mA)
EAST1616RGBA1	1.6x1.6x0.35	<ul style="list-style-type: none"> ● Blue ● Brilliant Red ● Brilliant Green 	470 624 525	11.5 / 18 18 / 30 28.5 / 60	28.5 57 112	2.6 / 3 1.7 / 2 2.6 / 3	3.3 2.2 3.3	5



UNIT : mm



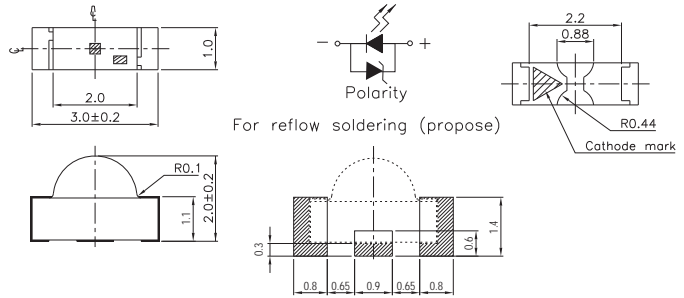
Product	Size (LxWxHmm)	Color	λ_d (nm)/ CIE(x,y)	I_v Min./Typ. (mcd)	I_v Max. (mcd)	V_F Min./Typ. (V)	V_F Max. (V)	I_F (mA)
EAST1616RGBA4	1.6x1.6x0.35	<ul style="list-style-type: none"> ● Blue ● Brilliant Red ● Brilliant Green 	470 624 525	28.5 / 50 72 / 100 112 / 180	--	3.3 2.0 3.3	3.9 2.4 3.9	20

SMD LED

SMD LED | Surface Mount Chip LED (PCB) | Side View (0.2T~1.0T)



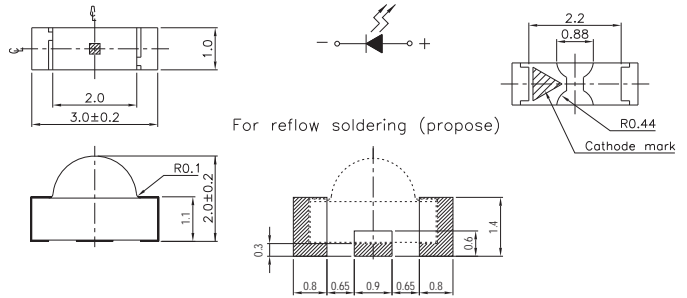
UNIT : mm



Product	Size (LxWxHmm)	Color	λ_d (nm)/CIE(x,y)	I_v Min./Typ. (mcd)	I_v Max. (mcd)	V_F Min./Typ. (V)	V_F Max. (V)	I_F (mA)
EASV3020BA0	3x2x1	● Blue	470	11.5	28.5	2.7	3.2	5



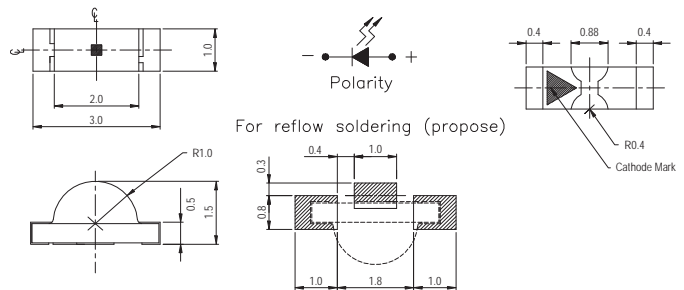
UNIT : mm



Product	Size (LxWxHmm)	Color	λ_d (nm)/CIE(x,y)	I_v Min./Typ. (mcd)	I_v Max. (mcd)	V_F Min./Typ. (V)	V_F Max. (V)	I_F (mA)
EASV3020BA1	3x2x1	● Blue	470	28.5	72	2.7 / 3.3	3.7	20
EASV3020BA3	3x2x1	● Blue	470	11.5	28.5	2.5	3.1	5
EASV3020GA0	3x2x1	● Brilliant Green	525	140	285	3.5	4.3	20
EASV3020RA0	3x2x1	● Deep Red	639	28.5	72	1.75	2.35	20



UNIT : mm

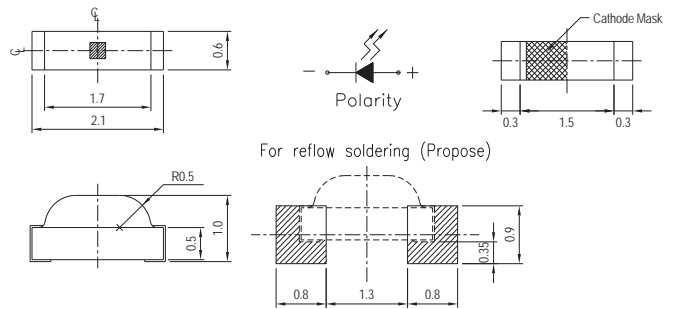


Product	Size (LxWxH mm)	Color	λ_d (nm)/CIE(x,y)	I_v Min./Typ. (mcd)	I_v Max. (mcd)	V_F Min./Typ. (V)	V_F Max. (V)	I_F (mA)
EASV3015BA0	3x1.5x1	● Blue	470	28.5	72	2.7 / 3.3	3.7	20
EASV3015WA0	3x1.5x1	○ Pure White	x=0.274, y=0.226	45	112	2.7	3.4	5
EASV3015WA1	3x1.5x1	○ Pure White	x=0.274, y=0.226	112	285	3.3	3.7	20

SMD LED | Surface Mount Chip LED (PCB) | Side View (0.2T~1.0T)



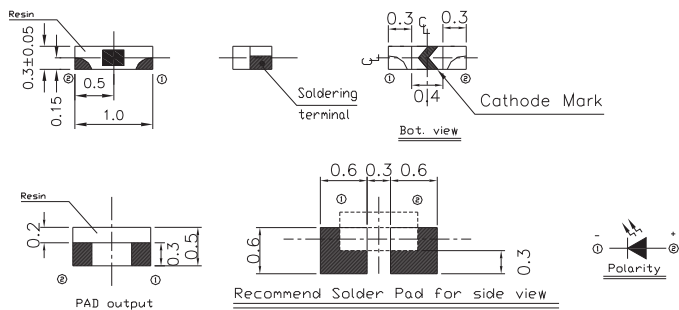
UNIT : mm



Product	Size (LxWxHmm)	Color	λ_d (nm)/CIE(x,y)	I_v Min./Typ. (mcd)	I_v Max. (mcd)	V_F Min./Typ. (V)	V_F Max. (V)	I_F (mA)
EASV2110BA0	2.1x1x0.6	● Blue	470	28.5	72	3.5	4	20
EASV2110GA0	2.1x1x0.6	● Brilliant Yellow Green	573	14.5	28.5	1.75	2.35	20
EASV2110GA1	2.1x1x0.6	● Brilliant Yellow Green	573	45	112	1.7	2.3	20
EASV2110RA0	2.1x1x0.6	● Brilliant Red	624	112	225	1.75	2.35	20
EASV2110RA1	2.1x1x0.6	● Deep Red	639	28.5	72	1.75	2.35	20
EASV2110YA0	2.1x1x0.6	● Brilliant Yellow	589	112	225	1.7	2.3	20
EASV2110YA1	2.1x1x0.6	● Brilliant Yellow	589	45	112	1.75	2.35	20
EASV2110YA2	2.1x1x0.6	● Brilliant Yellow	589	72	140	1.75	2.35	20



UNIT : mm



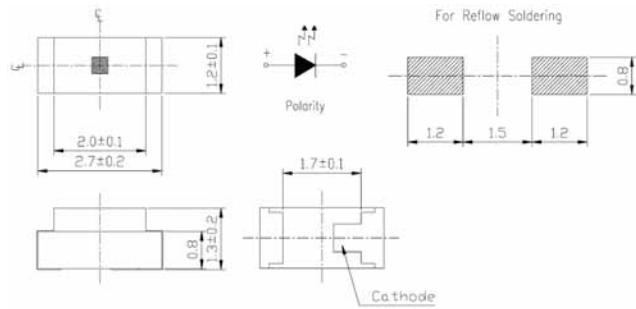
Product	Size (LxWxHmm)	Color	λ_d (nm)/CIE(x,y)	I_v Min./Typ. (mcd)	I_v Max. (mcd)	V_F Min./Typ. (V)	V_F Max. (V)	I_F (mA)
EASV1003W0	1x0.5x0.3	○ Pure White	x=0.274, y=0.226	45	112	2.7	3.2	5
EASV1003Y0	1x0.5x0.3	● Brilliant Yellow	589	72	180	1.75	2.35	20

SMD LED

SMD LED | Surface Mount Chip LED (PCB) | Side View (0.2T~1.0T)



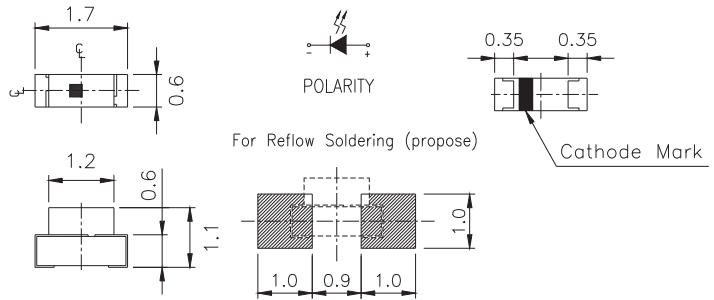
UNIT : mm



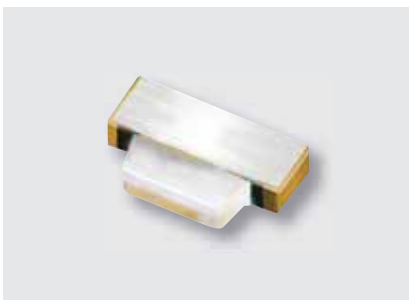
Product	Size (LxWxH mm)	Color	λ_d (nm)/CIE(x,y)	I_v Min./Typ. (mcd)	I_v Max. (mcd)	V_F Min./Typ. (V)	V_F Max. (V)	I_F (mA)
EASV2713BA0	2.7x1.3x1.2	●Blue	470	28.5	72	3.8	4.5	20
EASV2713GA0	2.7x1.3x1.2	●Brilliant Green	525	112	285	2.7 / 3.3	3.7	20



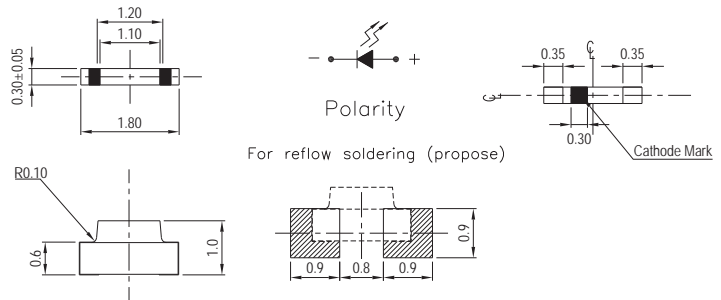
UNIT : mm



Product	Size (LxWxH mm)	Color	λ_d (nm)/CIE(x,y)	I_v Min./Typ. (mcd)	I_v Max. (mcd)	V_F Min./Typ. (V)	V_F Max. (V)	I_F (mA)
EASV1706BA0	1.7x1.1x0.6	●Blue	470	45	112	2.7 / 3.3	3.7	20
EASV1706GA0	1.7x1.1x0.6	●Brilliant Green	525	140	360	2.7 / 3.3	3.7	20
EASV1706RA0	1.7x1.1x0.6	●Brilliant Red	624	45	112	1.75	2.35	20
EASV1706WA0	1.7x1.1x0.6	○Pure White	x=0.274, y=0.226	28.5	72	2.7	3.15	5
EASV1706WA1	1.7x1.1x0.6	○Pure White	x=0.274, y=0.226	57	112	2.7	3.15	5



UNIT : mm

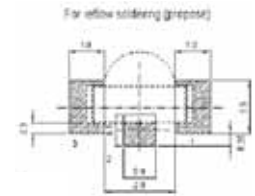
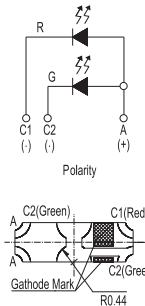
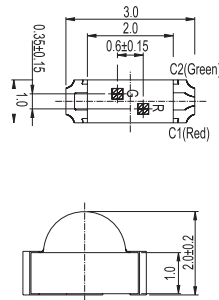


Product	Size (LxWxH mm)	Color	λ_d (nm)/CIE(x,y)	I_v Min./Typ. (mcd)	I_v Max. (mcd)	V_F Min./Typ. (V)	V_F Max. (V)	I_F (mA)
EASV1803BA0	1.8x1x0.3	●Blue	470	22.5	57	2.7	3.2	5
EASV1803RA0	1.8x1x0.3	●Brilliant Red	624	18	45	1.7	2.2	5
EASV1803WA0	1.8x1x0.3	○Pure White	x=0.274, y=0.226	90	180	2.7	3.2	5

SMD LED | Surface Mount Chip LED (PCB) | Side View Bi-Color



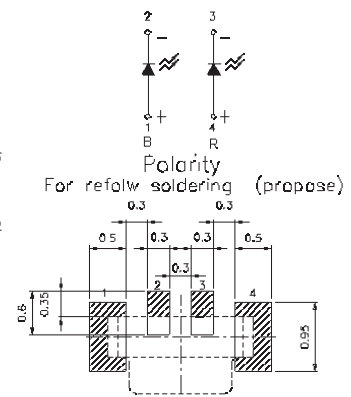
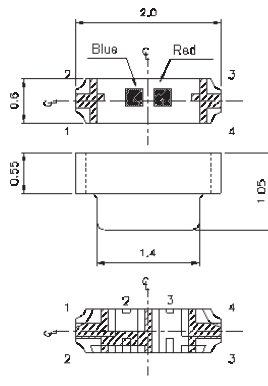
UNIT : mm



Product	Size (LxWxHmm)	Color	λ_d (nm)/ CIE(x,y)	I_v Min./Typ. (mcd)	I_v Max. (mcd)	V_F Min./Typ. (V)	V_F Max. (V)	I_F (mA)
EASV3020BRA0	3x2x1	● Blue ● Brilliant Red	BH : 470 R6 : 624	BH : 18 / 28 R6 : 22.5 / 30	--	BH : 2.7 R6 : 1.7	BH : 3.1 R6 : 2.2	5
EASV3020GRA0	3x2x1	● Brilliant Yellow Green ● Deep Red	G6 : 573 R8 : 639	G6 : 28.5 R8 : 28.5	G6 : 72 R8 : 72	G6 : 1.7 / 2 R8 : 1.7 / 2	G6 : 2.4 R8 : 2.4	20
EASV3020RGA0	3x2x1	● Brilliant Red ● Brilliant Green	R6 : 624 GH : 525	R6 : 72 GH : 112	R6 : 180 GH : 285	R6 : 1.7 / 2 GH : 2.7 / 3.3	R6 : 2.4 GH : 3.7	20
EASV3020YGA0	3x2x1	● Brilliant Yellow ● Brilliant Yellow Green	Y2 : 589 G6 : 573	Y2 : 45 G6 : 28.5	Y2 : 112 G6 : 72	Y2 : 1.7 / 2 G6 : 1.7 / 2	Y2 : 2.4 G6 : 2.4	20



UNIT : mm



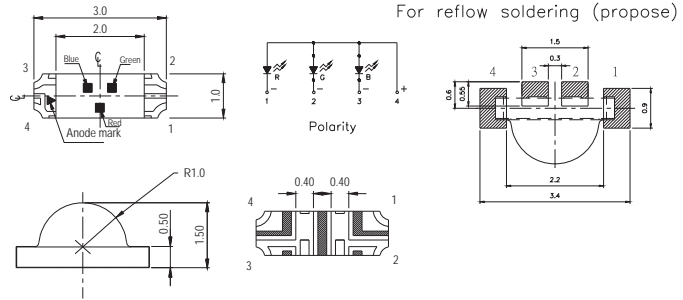
Product	Size (LxWxHmm)	Color	λ_d (nm)/ CIE(x,y)	I_v Min./Typ. (mcd)	I_v Max. (mcd)	V_F Min./Typ. (V)	V_F Max. (V)	I_F (mA)
EASV2010BRA0	2x1.05x0.6	● Blue ● Dark Red	BH : 470 R7 : 631	BH : 22.5 R7 : 14.5	BH : 57 R7 : 36	BH : 2.7 R7 : 1.55	BH : 3.2 R7 : 2.15	5

SMD LED

SMD LED | Surface Mount Chip LED (PCB) | Side View Full Color



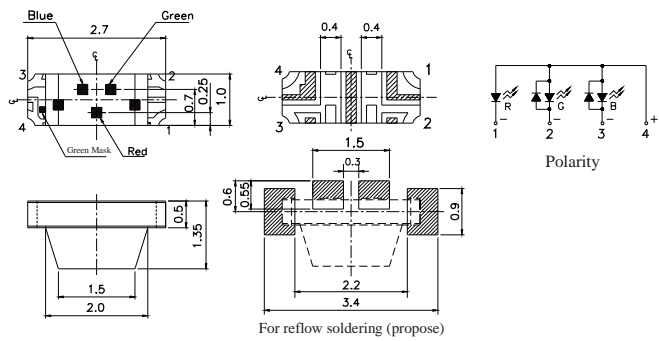
UNIT : mm



Product	Size (LxWxHmm)	Color	λ_d (nm)/ CIE(x,y)	I_v Min./Typ. (mcd)	I_v Max. (mcd)	V_F Min./Typ. (V)	V_F Max. (V)	I_F (mA)
EASV3015RGBAO	3x1.5x1	<ul style="list-style-type: none"> ● Blue ● Brilliant Red ● Brilliant Green 	BH : 470 R6 : 624 GH : 525	BH : 32 / 50 R6 : 63 / 90 GH : 125 / 180	--	BH : 2.7 / 3.3 R6 : 1.7 / 2 GH : 2.7 / 3.3	BH : 3.7 R6 : 2.4 GH : 3.7	20
EASV3015AGBA0	3x1.5x1	<ul style="list-style-type: none"> ● Brilliant Orange ● Blue ● Brilliant Green 	BH : 470 S2 : 605 GH : 525	BH : 36 / 65 S2 : 72 / 140 GH : 140 / 210	--	BH : 3.3 S2 : 2 GH : 3.3	BH : 3.9 S2 : 2.4 GH : 3.9	20



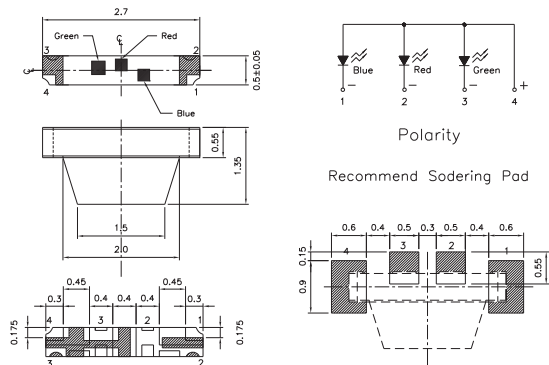
UNIT : mm



Product	Size (LxWxHmm)	Color	λ_d (nm)/ CIE(x,y)	I_v Min./Typ. (mcd)	I_v Max. (mcd)	V_F Min./Typ. (V)	V_F Max. (V)	I_F (mA)
EASV2713RGBAO	2.7x1.35x1	<ul style="list-style-type: none"> ● Blue ● Brilliant Red ● Brilliant Green 	BH : 470 R6 : 624 GH : 525	BH : 28.5 / 45 R6 : 45 / 72 GH : 112 / 180	--	BH : 2.7 / 3.3 R6 : 1.7 / 2 GH : 2.7 / 3.3	BH : 3.7 R6 : 2.4 GH : 3.7	20



UNIT : mm

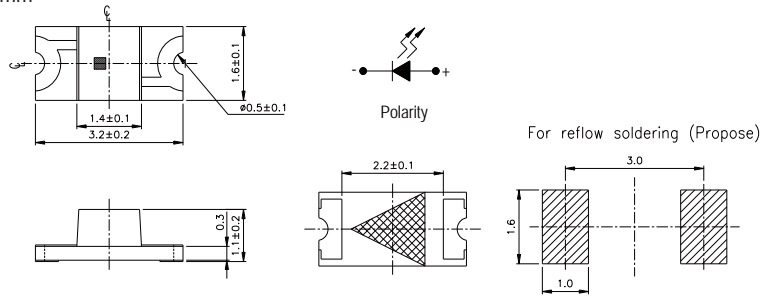


Product	Size (LxWxHmm)	Color	λ_d (nm)/ CIE(x,y)	I_v Min./Typ. (mcd)	I_v Max. (mcd)	V_F Min./Typ. (V)	V_F Max. (V)	I_F (mA)
EASV2713RGBA1	2.7x1.35x0.5	<ul style="list-style-type: none"> ● Blue ● Brilliant Red ● Brilliant Green 	BH : 470 R6 : 624 GH : 525	BH : 10 R6 : 14.5 GH : 35	BH : 24.5 R6 : 36 GH : 110	BH : 2.7 / 2.9 R6 : 1.7 / 1.85 GH : 2.7 / 2.9	BH : 3.1 R6 : 2 GH : 3.2	5

SMD LED | Surface Mount Chip LED (PCB) | Reverse Mount



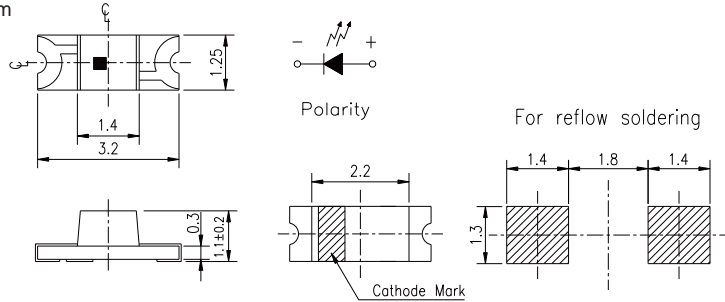
UNIT : mm



Product	Size (LxWxHmm)	Color	λ_d (nm)/CIE(x,y)	I_v Min./Typ. (mcd)	I_v Max. (mcd)	V_F Min./Typ. (V)	V_F Max. (V)	I_F (mA)
EASR3216GA0	3.2x1.6x1.1	● Brilliant Yellow Green	573	14.5	36	1.7 / 2	2.4	20
EASR3216GA1	3.2x1.6x1.1	● Brilliant Green	525	140	360	3.5	3.9	20
EASR3216RA0	3.2x1.6x1.1	● Brilliant Red	624	18	45	1.55	2.15	5
EASR3216RA1	3.2x1.6x1.1	● Deep Red	639	36	90	1.75	2.35	20



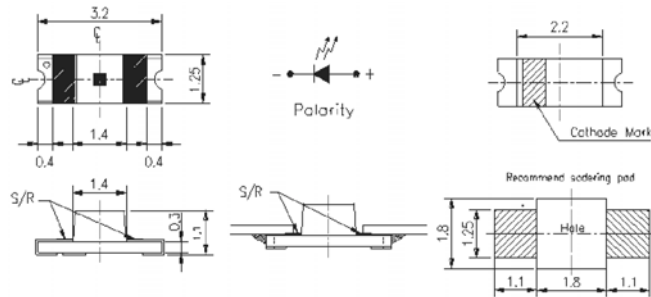
UNIT : mm



Product	Size (LxWxHmm)	Color	λ_d (nm)/CIE(x,y)	I_v Min./Typ. (mcd)	I_v Max. (mcd)	V_F Min./Typ. (V)	V_F Max. (V)	I_F (mA)
EASR3212BA0	3.2x1.25x1.1	● Blue	470	28.5	72	3.5	4	20
EASR3212BA1	3.2x1.25x1.1	● Blue	470	11.5	22.5	2.7 / 3.3	3.7	5
EASR3212YA0	3.2x1.25x1.1	● Brilliant Yellow Green	573	22.5	57	1.7 / 2	2.4	20
EASR3212AA0	3.2x1.25x1.1	● Brilliant Orange	605	28.5	72	1.7 / 2.0	2.4	20
EASR3212WA0	3.2x1.25x1.1	○ Pure White	x=0.274, y=0.226	28.5	112	2.7	3.15	5
EASR3212WA1	3.2x1.25x1.1	○ Pure White	x=0.274, y=0.226	57	112	2.6	3	5
EASR3212WA2	3.2x1.25x1.1	○ Pure White	x=0.274, y=0.226	28.5	112	2.7	3.15	5



UNIT : mm

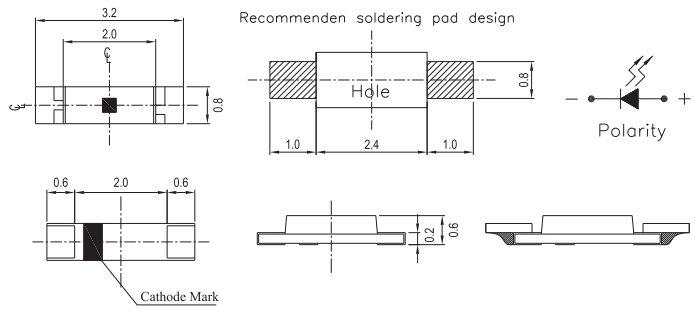


Product	Size (LxWxHmm)	Color	λ_d (nm)/CIE(x,y)	I_v Min./Typ. (mcd)	I_v Max. (mcd)	V_F Min./Typ. (V)	V_F Max. (V)	I_F (mA)
EASR3212WA3	3.2x1.25x1.1	○ White	x=0.274, y=0.226	57	112	Min. 2.6	3	5

SMD LED | Surface Mount Chip LED (PCB) | Reverse Mount



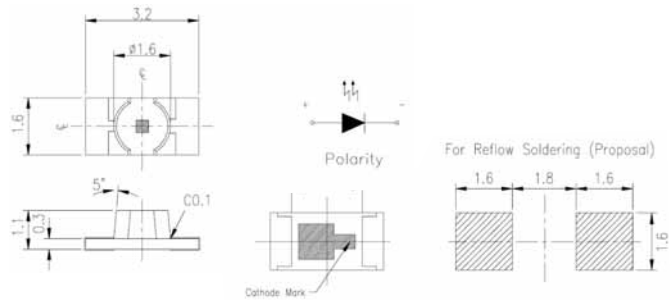
UNIT : mm



Product	Size (LxWxHmm)	Color	λ_d (nm)/CIE(x,y)	I_v Min./Typ. (mcd)	I_v Max. (mcd)	V_F Min./Typ. (V)	V_F Max. (V)	I_F (mA)
EASR3216BA2	3.2x0.8x0.6	● Blue	470	36	72	2.75	3.65	20



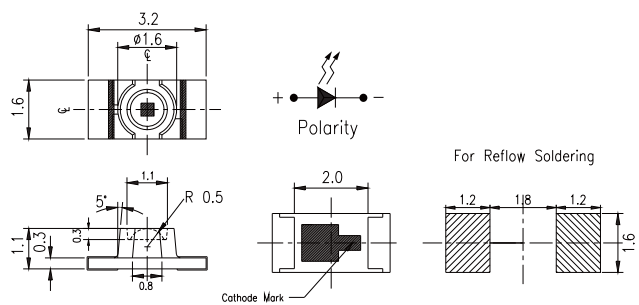
UNIT : mm



Product	Size (LxWxHmm)	Color	λ_d (nm)/CIE(x,y)	I_v Min./Typ. (mcd)	I_v Max. (mcd)	V_F Min./Typ. (V)	V_F Max. (V)	I_F (mA)
EASRR3216BA0	3.2x1.6x1.1	● Blue	470	28.5	72	3.5	4	20
EASRR3216GA0	3.2x1.6x1.1	● Brilliant Green	525	140	360	3.5	4	20



UNIT : mm

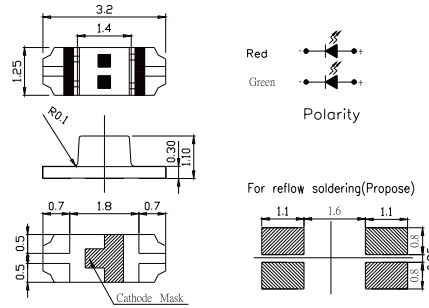


Product	Size (LxWxHmm)	Color	λ_d (nm)/CIE(x,y)	I_v Min./Typ. (mcd)	I_v Max. (mcd)	V_F Min./Typ. (V)	V_F Max. (V)	I_F (mA)
EASRL3216GA0	3.2x1.6x1.1	● Brilliant Yellow Green	573	57	112	1.7 / 2	2.4	20
EASRL3216GA1	3.2x1.6x1.1	● Brilliant Green	525	180	715	3.5	4.3	20
EASRL3216WA0	3.2x1.6x1.1	○ Pure White	x=0.274, y=0.226	28.5	112	2.7	3.15	5
EASRL3216WA1	3.2x1.6x1.1	○ Pure White	x=0.274, y=0.226	45	112	2.7	3.15	5

SMD LED | Surface Mount Chip LED (PCB) | Reverse Mount Bi-color



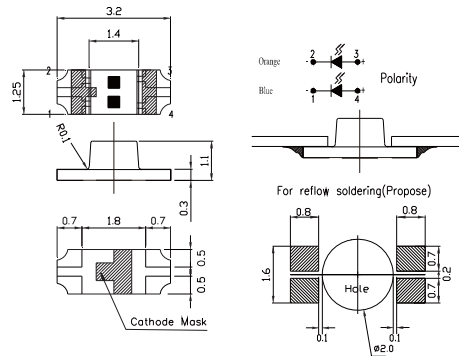
UNIT : mm



Product	Size (LxWxHmm)	Color	λ_d (nm)/ CIE(x,y)	I_v Min./Typ. (mcd)	I_v Max. (mcd)	V_F Min./Typ. (V)	V_F Max. (V)	I_F (mA)
EASR3212RGA0	3.2x1.25x1.1	<ul style="list-style-type: none"> ● Dark Red ● Brilliant Yellow Green 	R7 : 631 G6 : 573	R7 : 18 G6 : 14.5	R7 : 72 G6 : 45	R7 : 1.7 / 2 G6 : 1.7 / 2	R7 : 2.4 G6 : 2.4	20
EASR3212ABA0	3.2x1.25x1.1	<ul style="list-style-type: none"> ● Brilliant Orange ● Blue 	S2 : 605 BH : 470	S2 : 11.5 BH : 11.5	S2 : 28.5 BH : 28.5	S2 : 1.55 / 1.85 BH : 2.5 / 3.1	S2 : 2.25 BH : 3.5	5



UNIT : mm

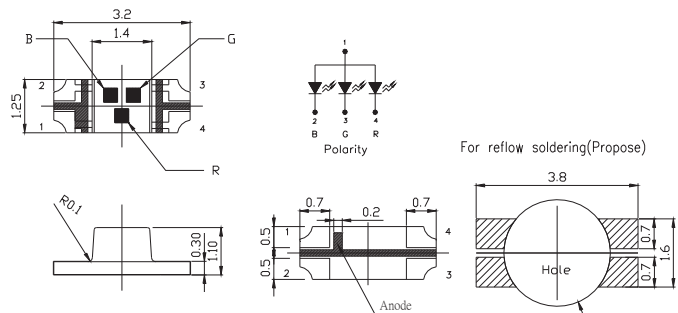


Product	Size (LxWxHmm)	Color	λ_d (nm)/ CIE(x,y)	I_v Min./Typ. (mcd)	I_v Max. (mcd)	V_F Min./Typ. (V)	V_F Max. (V)	I_F (mA)
EASR3212ABA1	3.2x1.25x1.1	<ul style="list-style-type: none"> ● Brilliant Orange ● Blue 	S2 : 605 BH : 470	S2 : 22.5 BH : 22.5	S2 : 57 BH : 57	S2 : 1.7 / 2 BH : 2.7 / 3.3	S2 : 2.4 BH : 3.7	10

SMD LED | Surface Mount Chip LED (PCB) | Reverse Mount Full color



UNIT : mm

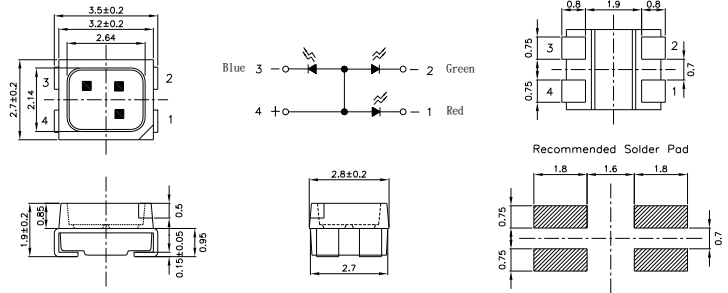


Product	Size (LxWxHmm)	Color	λ_d (nm)/ CIE(x,y)	I_v Min./Typ. (mcd)	I_v Max. (mcd)	V_F Min./Typ. (V)	V_F Max. (V)	I_F (mA)
EASR3212RGBA0	3.2x1.25x1.1	<ul style="list-style-type: none"> ● Blue ● Brilliant Red ● Brilliant Green 	BH : 470 R6 : 624 GH : 525	BH : 45 / 65 R6 : 72 / 100 GH : 140 / 200	--	BH : 2.7 / 3.3 R6 : 1.7 / 2 GH : 2.7 / 3.3	BH : 3.7 R6 : 2.4 GH : 3.7	20

SMD LED | Surface Mount PLCC LEDs (Reflector) | Top View LED



UNIT : mm



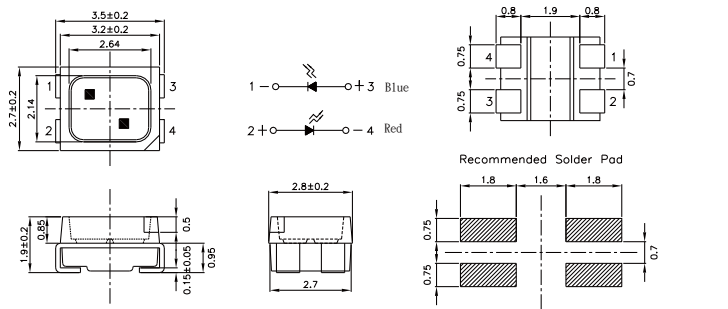
Product	Size (LxWxHmm)	Color	λ_d (nm)/ CIE(x,y)	I_v Min./Typ. (mcd)	I_v Max. (mcd)	V_f Min./Typ. (V)	V_f Max. (V)	I_f (mA)
*EAPL3528WA0	3.5x2.8x1.9	○ White	x=0.264~0.33 y=0.248~0.36	3600	7200	2.9	3.6	20

* All 3 Die are Blue Die (with Phosphor in package).

SMD LED | Surface Mount PLCC LEDs (Reflector) | Top View Bi-Color



UNIT : mm

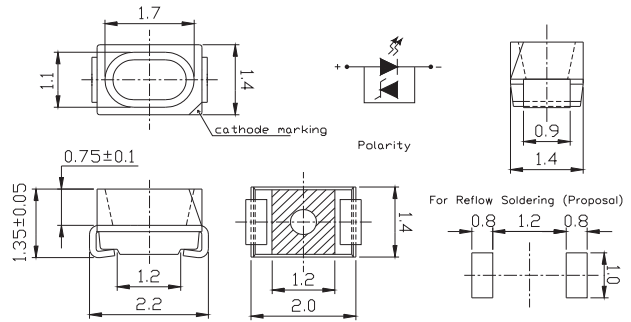


Product	Size (LxWxHmm)	Color	λ_d (nm)	I_v Min./Typ. (mcd)	I_v Max. (mcd)	V_f Min./Typ. (V)	V_f Max. (V)	I_f (mA)
EAPL3828GGA0	3.5x2.8x1.9	○ Pale Green ○ Pale Green	563.5~571.5	4.5 / 10	36	1.7 / 2.0	2.4	10
EAPL3528RYA0	3.5x2.8x1.9	● Brilliant Red ● Brilliant Yellow	621~631 586~594	72	285	1.75	2.35	20
EAPL3528RGA1	3.5x2.8x1.9	● Deep Red ● Brilliant Yellow Green	524 573	57 36	140 90	1.75 1.75	3.25 3.25	20

SMD LED | Surface Mount PLCC LEDs (Reflector) | Top View PLCC2



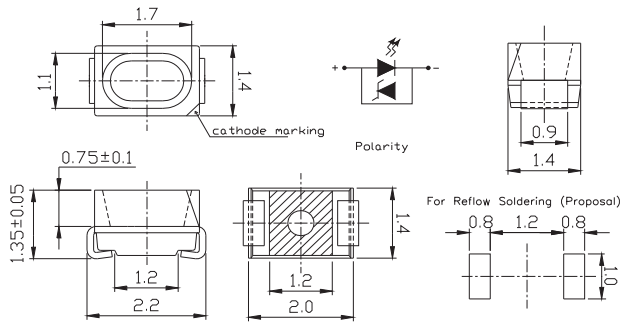
UNIT : mm



Product	Size (LxWxHmm)	Color	λ_d (nm)/CIE(x,y)	I_v Min./Typ. (mcd)	I_v Max. (mcd)	V_F Min./Typ. (V)	V_F Max. (V)	I_F (mA)
EAPL2214WA0	2.2x1.4x1.35	○ Pure White	x=0.283~0.33 y=0.295~0.3390	715	1800	2.75	3.65	20



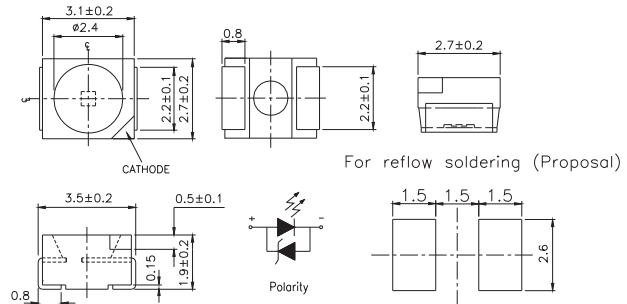
UNIT : mm



Product	Size (LxWxHmm)	Color	λ_d (nm)/CIE(x,y)	I_v Min./Typ. (mcd)	I_v Max. (mcd)	V_F Min./Typ. (V)	V_F Max. (V)	I_F (mA)
EAPL2214GA0	2.2x1.4x1.35	● Brilliant Yellow Green	569.5~577.5	36	90	--	2.35	20
EAPL2214YA1	2.2x1.4x1.35	● Brilliant Yellow	585.5~594.5	112	285	1.75	2.35	20
EAPL2214YA2	2.2x1.4x1.35	● Brilliant Yellow	586~594	140	225	1.75	2.35	20
EAPL2214BA1	2.2x1.4x1.35	● Brilliant Yellow Green	569.5~577.5	180	360	2.7	3.5	20
EAPL2214GA1	2.2x1.4x1.35	● Brilliant Green	520~535	225	565	2.7	3.7	20
EAPL2214RA0	2.2x1.4x1.35	● Brilliant Red	616.5~634.5	72	180	1.75	2.35	20



UNIT : mm

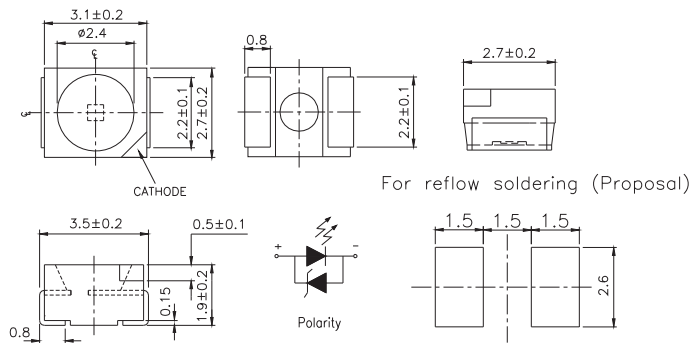


Product	Size (LxWxHmm)	Color	λ_d (nm)/CIE(x,y)	I_v Min./Typ. (mcd)	I_v Max. (mcd)	V_F Min./Typ. (V)	V_F Max. (V)	I_F (mA)
EAPL3527BA4	3.5x2.7x1.9	● Blue	464~472	90	225	2.7	3.5	20
EAPL3527GA5	3.5x2.7x1.9	● Brilliant Green	517.5	360	900	2.7	3.7	20
EAPL3527WA5	3.5x2.7x1.9	● Warm White	x=0.264~0.330 y=0.248~0.360	180	450	2.7	3.7	20
EAPL3527WA6	3.5x2.7x1.9	○ White	x=0.283~0.330 y=0.276~0.360	715	1800	2.7	3.5	20

SMD LED | Surface Mount PLCC LEDs (Reflector) | Top View PLCC2



UNIT : mm

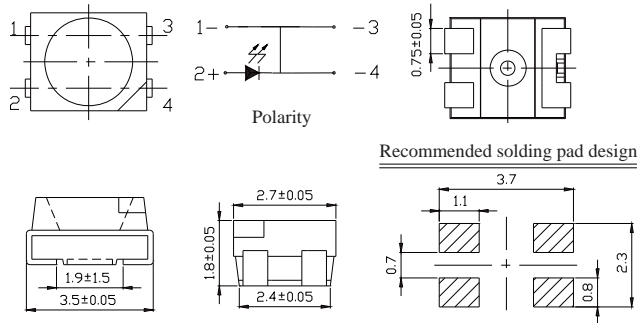


Product	Size (LxWxHmm)	Color	λ_d (nm)/CIE(x,y)	I_V Min./Typ. (mcd)	I_V Max. (mcd)	V_F Min./Typ. (V)	V_F Max. (V)	I_F (mA)
EAPL3527BA1	3.5x2.7x1.9	● Blue	464.5~476.5	225	565	2.7	3.7	20
EAPL3527GA0	3.5x2.7x1.9	● Brilliant Green	523.5~535.5	72	450	2.7	3.7	20
EAPL3527GA2	3.5x2.7x1.9	● Brilliant Green	520~535	900	1800	2.7	3.7	20
EAPL3527GA3	3.5x2.7x1.9	● Brilliant Green	517.5~535.5	225	565	2.5	3.5	10
EAPL3527RA0	3.5x2.7x1.9	● Brilliant Red	617.5~633.5	57	140	1.75	2.35	20
EAPL3527RA1	3.5x2.7x1.9	● Brilliant Red	621~631	36	90	1.75	2.35	10
EAPL3527RA2	3.5x2.7x1.9	● Brilliant Red	621~631	140	360	1.75	2.35	20
EAPL3527RA3	3.5x2.7x1.9	● Brilliant Red	621~631	180	565	1.75	2.35	20
EAPL3527RA4	3.5x2.7x1.9	● Brilliant Red	621~631	360	900	1.75	2.35	20
EAPL3527OA1	3.5x2.7x1.9	● Reddish Orange	605.5~621.5	180	360	2	2.4	20
EAPL3527WA3	3.5x2.7x1.9	○ White	x=0.3070~0.3300 y=0.2940~0.3390	900	1800	3	3.6	20
EAPL3527WA1	3.5x2.7x1.9	○ White	x=0.2498~0.2915 y=0.2185~0.2950	715	1800	2.75	3.65	20
EAPL3527WA2	3.5x2.7x1.9	○ White	x=0.2640~0.3300 y=0.2480~0.3600	450	1120	2.75	3.95	20
EAPL3527YA0	3.5x2.7x1.9	● Brilliant Yellow	585.5~594.5	180	360	2	2.4	20
	3.5x2.7x1.9	● Brilliant Yellow	588.5~594.5	140	360	1.75	2.35	20
	3.5x2.7x1.9	● Brilliant Yellow	586~594	450	715	1.75	2.35	20
EAPL3527YA3	3.5x2.7x1.9	● Brilliant Yellow	586~594	450	1120	1.75	2.35	20
EAPL3527BA2	3.5x2.7x1.9	● Blue	470	110	NA	2.75	3.95	20
EAPL3527RA5	3.5x2.7x1.9	● Brilliant Red	625~637.5	57	140	1.75	2.35	20
EAPL3527RA6	3.5x2.7x1.9	● Deep Red	629.5~645.5	57	112	1.75	2.35	20

SMD LED | Surface Mount PLCC LEDs (Reflector) | Top View PLCC3



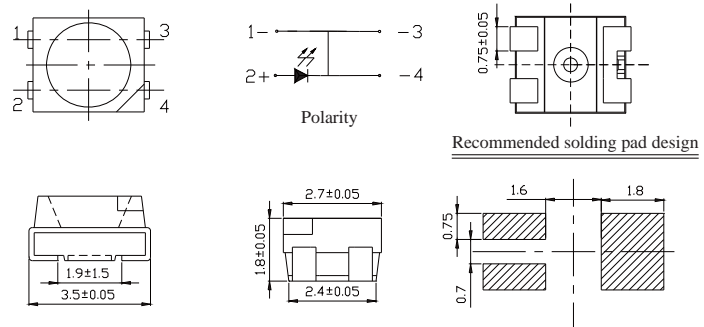
UNIT : mm



Product	Size (LxWxHmm)	Color	λ_d (nm)/ CIE(x,y)	I_v Min./Typ. (mcd)	I_v Max. (mcd)	V_F Min./Typ. (V)	V_F Max. (V)	I_F (mA)
EAPL3527BA5	3.5x2.7x1.8	● Blue	464.5~476.5	285	715	2.75	3.95	30
EAPL3527GA7	3.5x2.7x1.8	● Green	520~535	715	1800	2.75	3.65	30
EAPL3527OA0	3.5x2.7x1.8	● Reddish Orange	605.5~625.5	1120	2850	1.95	2.75	50
EAPL3527WA0	3.5x2.7x1.8	○ White	x=.296~.364 y=.259~.380	1120	2250	2.75	3.95	30



UNIT : mm



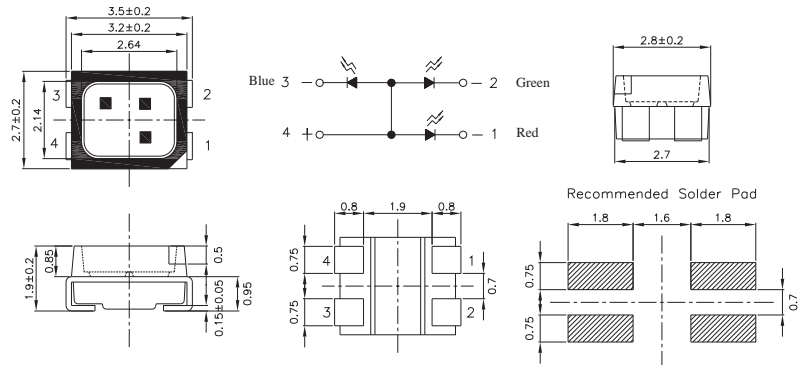
Product	Size (LxWxHmm)	Color	λ_d (nm)/ CIE(x,y)	I_v Min./Typ. (mcd)	I_v Max. (mcd)	V_F Min./Typ. (V)	V_F Max. (V)	I_F (mA)
EAPL3527RA8	3.5x2.7x1.8	● Brilliant Red	617.5~633.5	715	1800	1.95	2.75	50
EAPL3527WA7	3.5x2.7x1.8	○ White	x=.296~.33 y=.259~.33	1120	2250	2.75	3.95	30

SMD LED

SMD LED | Surface Mount PLCC LEDs (Reflector) | Top View PLCC4



UNIT : mm

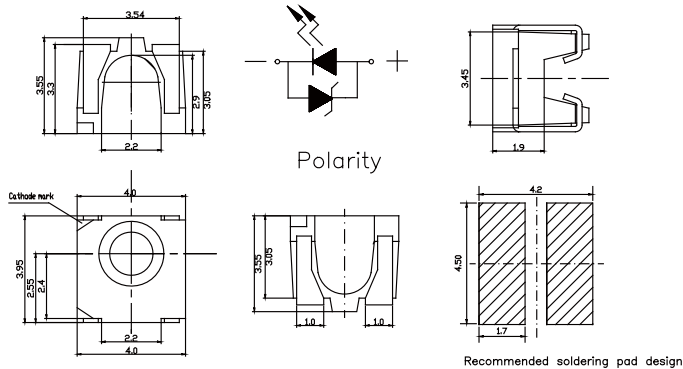


Product	Size (LxWxHmm)	Color	λ_d (nm)/CIE(x,y)	I_v Min./Typ. (mcd)	I_v Max. (mcd)	V_f Min./Typ. (V)	V_f Max. (V)	I_f (mA)
EAPL3527BGRA0	3.5x2.7x1.9	<ul style="list-style-type: none"> ● Brilliant Red ● Brilliant Green ● Blue 	<ul style="list-style-type: none"> 619~628 525~532.5 465~472.5 	<ul style="list-style-type: none"> 180 450 180 	<ul style="list-style-type: none"> 360 900 360 	<ul style="list-style-type: none"> 1.75 2.9 2.9 	<ul style="list-style-type: none"> 2.35 3.5 3.5 	20

SMD LED | Surface Mount PLCC LEDs (Reflector) | Side View LED



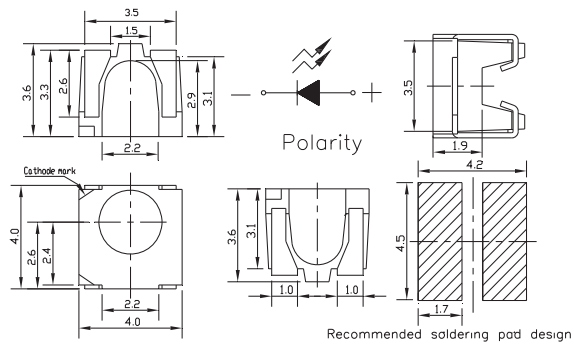
UNIT : mm



Product	Size (LxWxHmm)	Color	λ_d (nm)/CIE(x,y)	I_v Min./Typ. (mcd)	I_v Max. (mcd)	V_F Min./Typ. (V)	V_F Max. (V)
EAPL4040WA1	4x4x3.6	○ White	x=0.3070~0.3520 y=0.2840~0.3710	900	1800	2.75	3.95



UNIT : mm



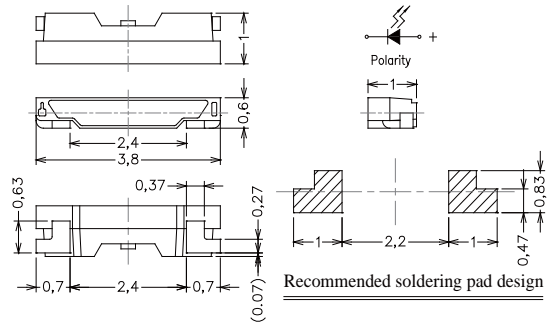
Product	Size (LxWxHmm)	Color	λ_d (nm)/CIE(x,y)	I_v Min./Typ. (mcd)	I_v Max. (mcd)	V_F Min./Typ. (V)	V_F Max. (V)	I_F (mA)
EAPL4040RA0	4x4x3.6	● Brilliant Red	617.5~633.5	45	112	1.75	2.35	20

SMD LED

SMD LED | Surface Mount PLCC LEDs (Reflector) | Side View LED



UNIT : mm

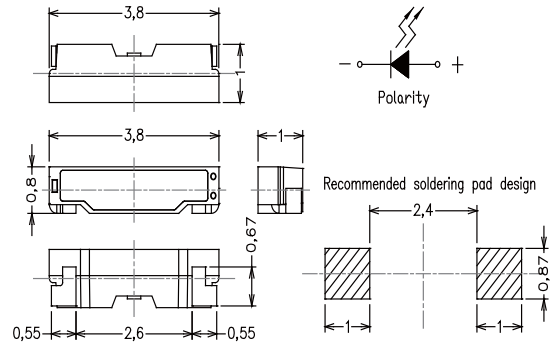


Product	Size (LxWxHmm)	Color	I _v (lm)	CIE	V _F (V)	Viewing Angle (°)
EAPL3810A0	3.8x1x0.6	○White	6.75~7.5	x=0.285~0.304 y=0.267~0.290	2.95~3.45	115
EAPL3810A1	3.8x1x0.6	○White	7.75~8.5	--	2.75~3.45	120
EAPL3810A2	3.8x1x0.6	○White	7.25~8.0	x=0.285~0.304 y=0.267~0.290	2.95~3.45	115
EAPL3810A3	3.8x1x0.6	○White	7.5~8.25	x=0.285~0.304 y=0.267~0.290	2.95~3.45	120
EAPL3810A4	3.8x1x0.6	○White	7.5~8.25	x=0.276~0.296 y=0.253~0.276	2.9~3.3	120
EAPL3810A5	3.8x1x0.6	○White	6.75~7.5	x=0.276~0.296 y=0.253~0.276	2.95~3.45	120
EAPL3810A6	3.8x1x0.6	○White	6.75~7.5	x=0.276~0.296 y=0.253~0.276	2.95~3.45	115
EAPL3810A7	3.8x1x0.6	○White	7.0~7.75	x=0.285~0.304 y=0.267~0.290	2.95~3.45	115
EAPL3810A8	3.8x1x0.6	○White	7.0~7.75	x=0.285~0.304 y=0.267~0.290	2.7~3.0	120
EAPL3810A9	3.8x1x0.6	○White	1900~2200 mcd	x=0.276~0.296 y=0.253~0.276	2.95~3.45	115
EAPL3810B0	3.8x1x0.6	○White	6.5~7.25	x=0.285~0.304 y=0.267~0.290	2.9~3.4	115
EAPL3810B1	3.8x1x0.6	○White	7.5~8.25	x=0.2805~0.300 y=0.260~0.2830	2.7~3.0	120
EAPL3810B2	3.8x1x0.6	○White	7.25~8.0	x=0.276~0.296 y=0.253~0.276	2.95~3.45	120
EAPL3810B3	3.8x1x0.6	○White	5.75~6.0	x=0.285~0.304 y=0.267~0.290	2.9~3.4	115
EAPL3810B4	3.8x1x0.6	○White	6.25~7.0	x=0.288~0.3062 y=0.262~0.2853	2.95~3.45	115
EAPL3810B5	3.8x1x0.6	○White	6.25~7.0	x=0.288~0.3062 y=0.262~0.2853	2.95~3.45	120
EAPL3810B6	3.8x1x0.6	○White	8.0~8.75	x=0.2935~0.312 y=0.2815~0.304	2.95~3.45	115
EAPL3810B7	3.8x1x0.6	○White	6.0~6.75	x=0.276~0.296 y=0.253~0.276	2.9~3.4	120

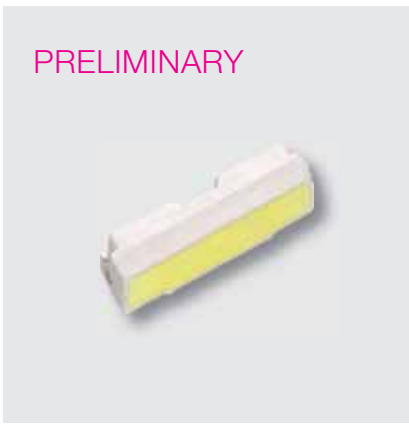
SMD LED | Surface Mount PLCC LEDs (Reflector) | Side View LED



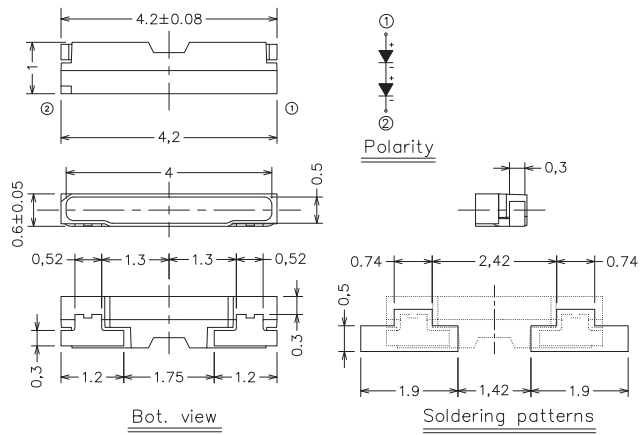
UNIT : mm



Product	Size (LxWxHmm)	Color	I _v (lm)	CIE	V _F (V)	Viewing Angle (°)
EAPL38108A0	3.8x1x0.8	○White	2500~2800 mcd	x=0.277~0.292 y=0.259~0.275	2.75~3.00	120
EAPL38108A1	3.8x1x0.8	○White	2000~3000 mcd	--	2.95~3.35	115
EAPL38108A2	3.8x1x0.8	○White	2300~2600 mcd	x=0.276~0.300 y=0.253~0.283	2.7~3.05	120
EAPL38108A3	3.8x1x0.8	○White	2500~2800 mcd	x=0.277~0.292 y=0.259~0.275	2.75~3.00	120
EAPL38108A4	3.8x1x0.8	○White	2500~2800 mcd	x=0.277~0.292 y=0.259~0.275	2.75~3.00	120



UNIT : mm



Product	Size (LxWxHmm)	Color	I _v (lm)	CIE	V _F (V)	Viewing Angle (°)
EAPL4210A1	4.2x1x0.6	○White	14~16	X=0.285~0.304 Y=0.267~0.290	5.4~6.2	120
EAPL4210A2	4.2x1x0.6	○White	13~15	X=0.276~0.296 Y=0.253~0.276	5.4~6.2	120

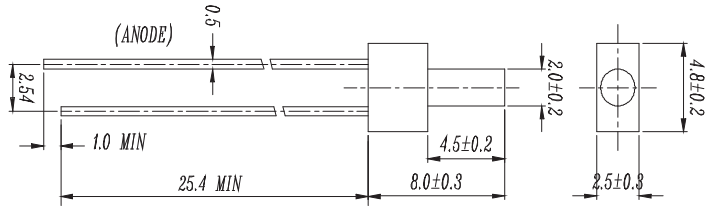
• Availability : Please visit EVERLIGHT AMERICAS website for updated information (www.everlightamericas.com) or contact EVERLIGHT AMERICAS sales for regional options.

SMD LED

LED Lamps | 2mm Tower Type



UNIT : mm

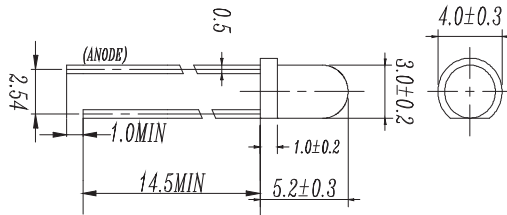


Product	Size (mm)	Color	Lens Type	λ_d (nm) / CIE(x,y)	Resin Color	I_V (Min/Typ) (mcd)	V_F (Typ/Max) (V)	Viewing Angle (°)
EALP02TRABA0	2	Blue	Tower	470	Color Diffused	40 / 80	3.4 / 4.0	100
EALP02TRARA0	2	Brilliant Red	Tower	624	Color Diffused	25 / 40	2.0 / 2.4	130
EALP02TRAGA0	2	Brilliant Yellow Green	Tower	573	Color Diffused	6.3 / 12.5	2.0 / 2.4	130

LED Lamps | 3mm Round Type



UNIT : mm

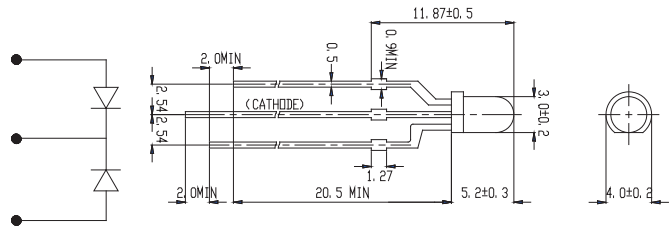


Product	Size (mm)	Color	Lens Type	λ_d (nm) / CIE(x,y)	Resin Color	I_V (Min/Typ) (mcd)	V_F (Typ/Max) (V)	Viewing Angle (°)
EALP03RDARA1	3	Deep Red	Round	639	Color Diffused	40 / 80	2.0 / 2.4	50
EALP03RDABA0	3	Blue	Round	470	Water Clear	400 / 800	3.4 / 4.0	20
EALP03RDAGA0	3	Brilliant Green	Round	525	Water Clear	1600 / 3200	3.4 / 4.0	30
EALP03RDARA0	3	Brilliant Red	Round	624	Water Clear	1000 / 2000	2.0 / 2.4	20
EALP03RDARA2	3	Brilliant Red	Round	624	Water Clear	250 / 500	2.0 / 2.4	25
EALP03RDARA3	3	Brilliant Red	Round	624	Color Diffused	40 / 80	2.0 / 2.4	45
EALP03RDARA4	3	Brilliant Red	Round	624	Trans	250 / 500	2.0 / 2.4	20
EALP03RDAGA1	3	Brilliant Yellow Green	Round	573	Water Clear	125 / 250	2.0 / 2.4	20
EALP03RDAGA3	3	Brilliant Yellow Green	Round	573	Color Diffused	63 / 100	2.0 / 2.4	45
EALP03RDAGA4	3	Brilliant Yellow Green	Round	573	Trans	100 / 200	2.0 / 2.4	20
EALP03RDAOA0	3	Reddish Orange	Round	615	Water Clear	1600 / 3200	2.0 / 2.4	20
EALP03RDAYA0	3	Brilliant Yellow	Round	589	Water Clear	1000 / 3200	2.0 / 2.4	20
EALP03RDAYA1	3	Brilliant Yellow	Round	589	Water Clear	310 / 540	2.0 / 2.4	20
EALP03RDAYA2	3	Brilliant Yellow	Round	589	Water Clear	320 / 400	2.0 / 2.4	20
EALP03RDAYA3	3	Brilliant Yellow	Round	589	Color Diffused	100 / 200	2.0 / 2.4	40
EALP03RDAYA4	3	Brilliant Yellow	Round	589	Color Diffused	100 / 200	2.0 / 2.4	60
EALP03RDAAA0	3	Brilliant Orange	Round	605	Water Clear	320 / 500	2.0 / 2.4	30
EALP03RDAYA5	3	Brilliant Yellow	Round	589	Trans	250 / 500	2.0 / 2.4	20
EALP03RDABA1	3	Blue	Round	470	Color Diffused	630 / 1250	2.7 / 3.7	20
EALP03RDAGA2	3	Brilliant Yellow Green	Round	573	Color Diffused	25 / 50	1.7 / 2.4	20
EALP03RDARGA0	3	Brilliant Red Brilliant Yellow Green	Round	624 573	White Diffused	20 / 32 10 / 20	1.7 / 2.4 1.7 / 2.4	20
EALP03RDARGA1	3	Brilliant Red Brilliant Yellow Green	Round	624 573	White Diffused	25 / 50 4 / 8	1.7 / 2.4 1.7 / 2.4	20
EALP03RDBGYA0	3	Brilliant Yellow Green Brilliant Yellow	Round	573 589	White Diffused	10 / 20 25 / 50	1.7 / 2.4 1.7 / 2.4	20

LED Lamps | 3mm Round Type



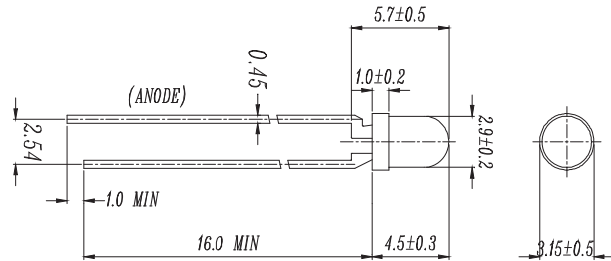
UNIT : mm



Product	Size (mm)	Color	Lens Type	λ_d (nm) / CIE(x,y)	Resin Color	I_V (Min/Typ) (mcd)	V_F (Typ/Max) (V)	Viewing Angle (°)
EALP03RDBRGA0	3	● Brilliant Red ● Brilliant Yellow Green	Round	624 / 573	White Diffused	40 / 80 20 / 40	2.0 / 2.4 2.0 / 2.4	80
EALP03RDBRGA2	3	● Deep Red ● Brilliant Yellow Green	Round	639 / 573	White Diffused	25 / 50 16 / 32	2.0 / 2.4 2.0 / 2.4	80
EALP03RDBRGA1	3	● Brilliant Red ● Brilliant Yellow Green	Round	624 / 573	Water Clear	63 / 125 40 / 80	2.0 / 2.4 2.0 / 2.4	60
EALP03RDBAGA0	3	● Brilliant Orange ● Brilliant Green	Round	605 / 525	Water Clear	100 / 200 160 / 320	2.0 / 2.4 3.5 / 4.3	50



UNIT : mm



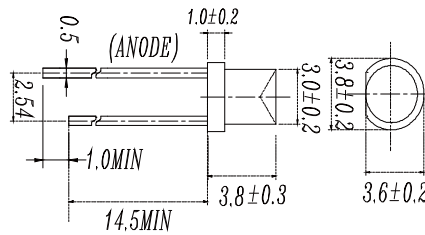
Product	Size (mm)	Color	Lens Type	λ_d (nm) / CIE(x,y)	Resin Color	I_V (Min/Typ) (mcd)	V_F (Typ/Max) (V)	Viewing Angle (°)
EALP03RDCRA5	2.9	● Deep Red	Round	639	Water Clear	40 / 100	2.0 / 2.4	40
EALP03RDCRA2	2.9	● Deep Red	Round	639	Color Diffused	50 / 100	2.0 / 2.4	60
EALP03RDCAA0	2.9	● Brilliant Orange	Round	605	Water clear	110 / 200	2.0 / 2.4	40
EALP03RDCGA3	2.9	● Brilliant Green	Round	525	Water clear	1000 / 2000	3.3 / 3.7	30
EALP03RDCRA0	2.9	● Brilliant Red	Round	624	Water Clear	400 / 800	2.0 / 2.4	40
EALP03RDCRA3	2.9	● Brilliant Red	Round	624	Color Diffused	63 / 125	2.0 / 2.4	60
EALP03RDCRA4	2.9	● Brilliant Red	Round	624	Trans	160 / 320	2.0 / 2.4	40
EALP03RDCGA4	2.9	● Brilliant Yellow Green	Round	573	Water Clear	100 / 320	2.0 / 2.4	35
EALP03RDCGA5	2.9	● Brilliant Yellow Green	Round	573	Color Diffused	20 / 32	2.0 / 2.4	60
EALP03RDCGA6	2.9	● Brilliant Yellow Green	Round	573	Trans	63 / 125	2.0 / 2.4	40
EALP03RDCYA0	2.9	● Brilliant Yellow	Round	589	Water Clear	400 / 800	2.0 / 2.4	40
EALP03RDCGA0	2.9	● Brilliant Green	Round	525	Water Clear	1600 / 3200	2.7 / 3.7	20
EALP03RDCGA2	2.9	● Brilliant Green	Round	525	Water Clear	630 / 1250	2.7 / 3.7	20
EALP03RDCGA7	2.9	● Bluish Green	Round	505	Water Clear	400 / 800	2.7 / 3.7	20
EALP03RDCRA1	2.9	● Brilliant Red	Round	624	Color Diffused	100 / 200	1.7 / 2.4	20
EALP03RDCWA0	2.9	○ White	Round	x=0.26 y=0.27	Water Clear	2250 / 3950	2.8 / 3.6	20
EALP03RDCWA1	2.9	○ White	Round	x=0.26 y=0.27	Water Clear	2250 / 3950	2.8 / 3.6	20

LED Lamps

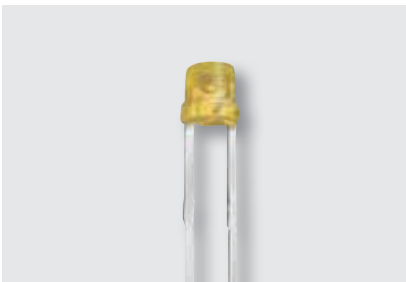
LED Lamps | 3mm Round Type



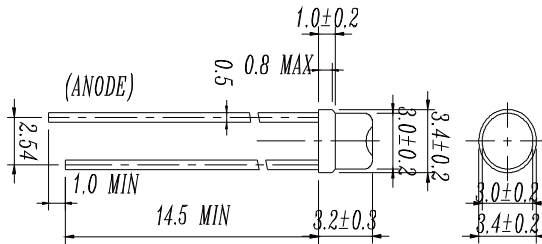
UNIT : mm



Product	Size (mm)	Color	Lens Type	λ_d (nm) / CIE(x,y)	Resin Color	I_V (Min/Typ) (mcd)	V_F (Typ/Max) (V)	Viewing Angle (°)
EALP03RDDRA0	3	● Brilliant Red	Round	624	Trans	10 / 20	2.0 / 2.4	130
EALP03RDDYA0	3	● Brilliant Yellow	Round	589	Trans	16 / 32	2.0 / 2.4	110
EALP03RDDGA0	3	● Green	Round	573	Trans	6.3 / 12.5	2.0 / 2.4	80
EALP03RDDAA0	3	● Brilliant Yellow Green	Round	605	Water clear	40 / 80	2.0 / 2.4	160



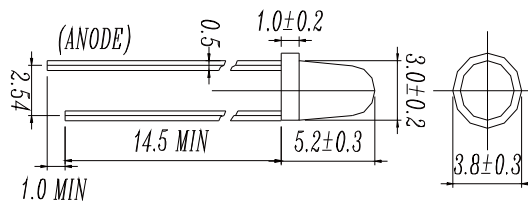
UNIT : mm



Product	Size (mm)	Color	Lens Type	λ_d (nm) / CIE(x,y)	Resin Color	I_V (Min/Typ) (mcd)	V_F (Typ/Max) (V)	Viewing Angle (°)
EALP03RDERA0	3	● Brilliant Red	Round	624	Trans	16 / 32	2.0 / 2.4	100
EALP03RDEGA0	3	● Brilliant Yellow Green	Round	573	Trans	10 / 20	2.0 / 2.4	100
EALP03RDEYA0	3	● Brilliant Yellow	Round	589	Trans	25 / 50	2.0 / 2.4	100



UNIT : mm

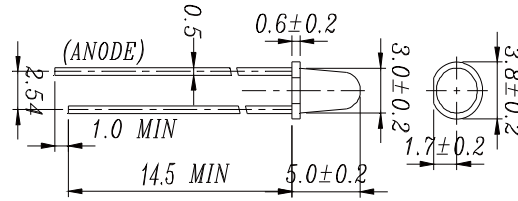


Product	Size (mm)	Color	Lens Type	λ_d (nm)/CIE(x,y)	Resin Color	I_V (Min/Typ) (mcd)	V_F (Typ/Max) (V)	Viewing Angle (°)
EALP03RDFGA0	3	● Brilliant Yellow Green	Round	573	Water Clear	63 / 100	2.0 / 2.4	25
EALP03RDFOA0	3	● Reddish Orange	Round	615	Water Clear	188 / 295	2.0 / 2.4	25
EALP03RDFWA0	3	○ White	Round	x=0.29, y=0.28	Water Clear	715 / 1800	3.2 / 3.6	25
EALP03RDFRA0	3	● Brilliant Red	Round	623	Water clear	160 / 400	2.0 / 2.4	20
EALP03RDFYA0	3	● Brilliant Yellow	Round	589	Water clear	160 / 320	2.0 / 2.4	25
EALP03RDFRA1	3	● Deep Red	Round	639	Water clear	110 / 150	2.0 / 2.4	25
EALP03RDFGA1	3	● Brilliant Green	Round	525	Water clear	1600 / 2000	3.3 / 3.7	30

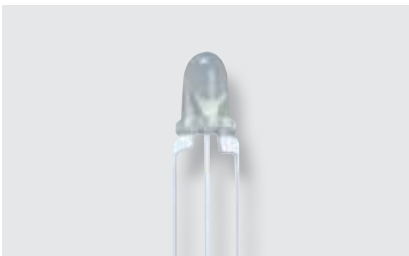
LED Lamps | 3mm Round Type



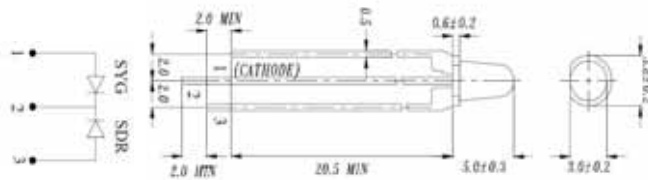
UNIT : mm



Product	Size (mm)	Color	Lens Type	λ_d (nm) / CIE(x,y)	Resin Color	I_v (Min/Typ) (mcd)	V_F (Typ/Max) (V)	Viewing Angle (°)
EALP03RDGRA3	3	● Deep Red	Round	639	Color Diffused	100 / 160	2.0 / 2.4	30
EALP03RDGRA0	3	● Brilliant Red	Round	624	Color Diffused	250 / 400	2.0 / 2.4	30
EALP03RDGRA2	3	● Brilliant Red	Round	624	Trans	160 / 320	2.0 / 2.4	30
EALP03RDGGA2	3	● Brilliant Yellow Green	Round	573	Color Diffused	40 / 63	2.0 / 2.4	40
EALP03RDGGA1	3	● Brilliant Yellow Green	Round	573	Trans	160 / 320	2.0 / 2.4	30
EALP03RDGYA0	3	● Brilliant Yellow	Round	589	Color Diffused	100 / 200	2.0 / 2.4	30
EALP03RDGAA0	3	● Brilliant Orange	Round	605	Trans	250 / 500	2.0 / 2.4	30
EALP03RDGGA0	3	● Brilliant Yellow Green	Round	570	Color Diffused	10 / 20	2.0 / 2.4	20
EALP03RDGRA1	3	● Brilliant Red	Round	624	Color Diffused	400 / 630	1.7 / 2.4	30



UNIT : mm



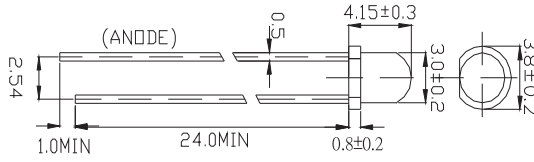
Product	Size (mm)	Color	Lens Type	λ_d (nm)/CIE(x,y)	Resin Color	I_v (Min/Typ) (mcd)	V_F (Typ/Max) (V)	Viewing Angle (°)
EALP03RDHRGA1	3	● Deep Red ● Brilliant Yellow Green	Round	639 / 573	White Diffused	16 / 32 25 / 50	2.0 / 2.4 2.0 / 2.4	50
EALP03RDHRGA0	3	● Brilliant Red ● Brilliant Yellow Green	Round	624 / 573	White Diffused	40 / 80 16 / 32	2.0 / 2.4 2.0 / 2.4	60
EALP03RDHYGA0	3	● Brilliant Yellow ● Brilliant Yellow Green	Round	589 / 573	White Diffused	63 / 125 40 / 80	2.0 / 2.4 2.0 / 2.4	40
EALP03RDHAGA0	3	● Brilliant Orange ● Brilliant Yellow Green	Round	605/573	White Diffused	63 / 125 25 / 50	2.0 / 2.4 2.0 / 2.4	60

LED Lamps

LED Lamps | 3mm Round Type



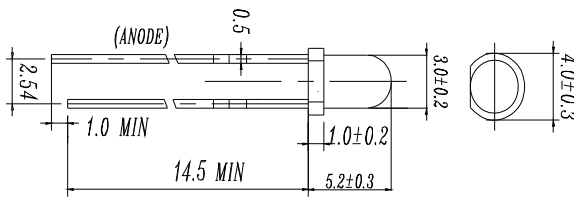
UNIT : mm



Product	Size (mm)	Color	Lens Type	λ_d (nm)/CIE(x,y)	Resin Color	I_v (Min/Typ) (mcd)	V_F (Typ/Max) (V)	Viewing Angle (°)
EALP03RDIBA0	3	Blue	Round	470	Water Clear	160 / 320	3.4 / 4.0	90
EALP03RDIGA0	3	Brilliant Green	Round	525	Water Clear	500 / 1250	3.4 / 4.0	45
EALP03RDIRA0	3	Brilliant Red	Round	624	Water Clear	100 / 200	2.0 / 2.4	90
EALP03RDIGA1	3	Bluish Green	Round	505	Water Clear	400 / 800	3.5 / 4.3	90



UNIT : mm

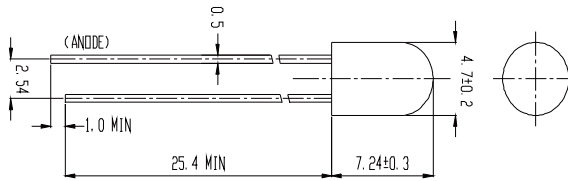


Product	Size (mm)	Color	Lens Type	λ_d (nm)/CIE(x,y)	Resin Color	I_v (Min/Typ) (mcd)	V_F (Typ/Max) (V)	Viewing Angle (°)
EALP03RDJGA0	3	Brilliant Yellow Green	Round	573	Water Clear	250 / 500	2.0 / 2.4	20
EALP03RDJRA0	3	Brilliant Red	Round	624	Water clear	320 / 500	2.0 / 2.4	25
EALP03RDJAA0	3	Brilliant Orange	Round	605	Water clear	250 / 500	2.0 / 2.4	20

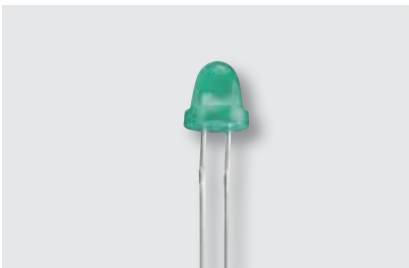
LED Lamps | 5mm Round Type



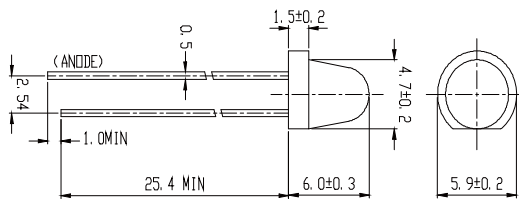
UNIT : mm



Product	Size (mm)	Color	Lens Type	λ_d (nm)/CIE(x,y)	Resin Color	I_V (Min/Typ) (mcd)	V_F (Typ/Max) (V)	Viewing Angle (°)
EALP05RDAGA0	4.7	Brilliant Yellow Green	Round	573	Water Clear	250 / 500	2.0 / 2.4	20
EALP05RDAYA1	4.7	Brilliant Yellow Green	Round	573	Color Diffused	40 / 80	2.0 / 2.4	45
EALP05RDAYA0	4.7	Brilliant Yellow	Round	589	Color Diffused	100 / 200	2.0 / 2.4	50
EALP05RDARA0	4.7	Brilliant Red	Round	624	Water clear	383 / 574	2.0 / 2.4	20
EALP05RDABA0	4.7	Blue	Round	470	Water clear	1000 / 2000	3.3 / 3.7	20



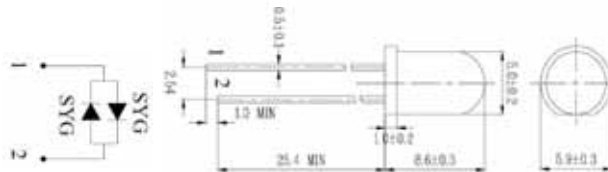
UNIT : mm



Product	Size (mm)	Color	Lens Type	λ_d (nm)/CIE(x,y)	Resin Color	I_V (Min/Typ) (mcd)	V_F (Typ/Max) (V)	Viewing Angle (°)
EALP05RDBRA1	4.7	Brilliant Red	Round	624	Color Diffused	63 / 100	2.0 / 2.4	40
EALP05RDBGA0	4.7	Brilliant Yellow Green	Round	573	Color Diffused	40 / 80	2.0 / 2.4	60
EALP05RDBBA0	4.7	Blue	Round	470	Water clear	1000 / 2000	3.3 / 3.7	40
EALP05RDBRA0	4.7	Deep Red	Round	639	Color Diffused	25 / 50	2.0 / 2.4	60
EALP05RDBYA0	4.7	Brilliant Yellow	Round	589	Color Diffused	100 / 200	2.0 / 2.4	50



UNIT : mm



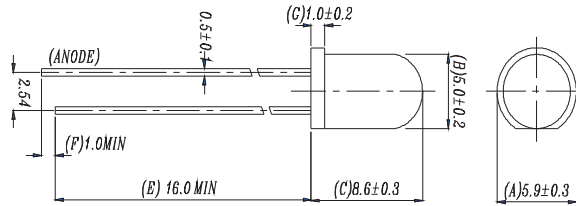
Product	Size (mm)	Color	Lens Type	λ_d (nm)/CIE(x,y)	Resin Color	I_V (Min/Typ) (mcd)	V_F (Typ/Max) (V)	Viewing Angle (°)
EALP05RDRCGA0	5	Brilliant Red Brilliant Yellow Green	Round	624 / 573	White Diffused	16 / 32 16 / 32	2.0 / 2.4 2.0 / 2.4	90
EALP05RDCGA0	5	Brilliant Yellow Green	Round	573 / 573	Color Diffused	8 / 16	2.0 / 2.4	90
EALP05RDCYGA0	5	Brilliant Yellow Brilliant Yellow Green	Round	589/573	White Diffused	40 / 80 16 / 32	2.0 / 2.4 2.0 / 2.4	80

LED Lamps

LED Lamps | 5mm Round Type

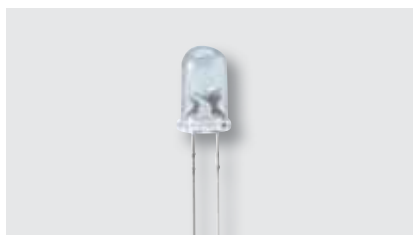


UNIT : mm

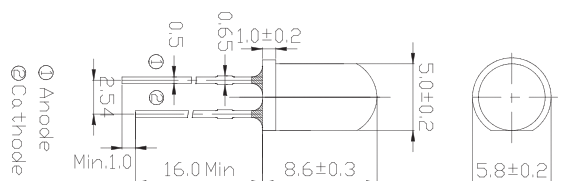


Product	Size (mm)	Color	Lens Type	λ_d (nm)/ CIE(x,y)	Resin Color	I_v (Min/Typ) (mcd)	V_F (Typ/Max) (V)	Viewing Angle (°)
EALP05RDDRA0	5	● Deep Red	Round	639	Water Clear	400 / 1000	2.0 / 2.4	10
EALP05RDDRA1	5	● Deep Red	Round	639	Color Diffused	100 / 160	2.0 / 2.4	30
EALP05RDDRA2	5	● Deep Red	Round	639	Trans	500 / 1250	2.0 / 2.4	10
EALP05RDDBA4	5	● Blue	Round	470	Water Clear	1000 / 2000	3.4 / 4.0	10
EALP05RDDBA2	5	● Blue	Round	470	Color Diffused	400 / 800	3.4 / 4.0	20
EALP05RDDBA3	5	● Blue	Round	470	White Diffused	100 / 200	3.4 / 4.0	40
EALP05RDDGA6	5	● Brilliant Green	Round	525	Water Clear	1600 / 3200	3.5 / 4.3	10
EALP05RDDGA0	5	● Brilliant Green	Round	525	Water Clear	4000 / 8000	3.4 / 4.0	15
EALP05RDDRA3	5	● Brilliant Red	Round	624	Water Clear	3200 / 5000	2.0 / 2.4	10
EALP05RDDRA5	5	● Brilliant Red	Round	624	Color Diffused	100 / 200	2.0 / 2.4	30
EALP05RDDRA4	5	● Brilliant Red	Round	624	Trans	400 / 800	2.0 / 2.4	10
EALP05RDDGA2	5	● Brilliant Yellow Green	Round	573	Water Clear	400 / 800	2.0 / 2.4	10
EALP05RDDGA3	5	● Brilliant Yellow Green	Round	573	Color Diffused	40 / 80	2.0 / 2.4	30
EALP05RDDGA4	5	● Brilliant Yellow Green	Round	573	Trans	250 / 400	2.0 / 2.4	10
EALP05RDDGA5	5	● Brilliant Yellow Green	Round	573	White Diffused	63 / 125	2.0 / 2.4	35
EALP05RDDYA5	5	● Brilliant Yellow	Round	589	Water Clear	1432 / 2148	2.0 / 2.4	10
EALP05RDDYA1	5	● Brilliant Yellow	Round	589	Water Clear	2500 / 4000	2.0 / 2.4	10
EALP05RDDYA4	5	● Brilliant Yellow	Round	589	Water Clear	630 / 1600	2.0 / 2.4	10
EALP05RDDYA6	5	● Brilliant Yellow	Round	589	Water Clear	2000 / 3200	2.0 / 2.4	10
EALP05RDDYA7	5	● Brilliant Yellow	Round	589	Color Diffused	160 / 320	2.0 / 2.4	35
EALP05RDDGA1	5	● Brilliant Green	Round	530	Water Clear	11250 / 22500	2.8 / 3.6	20
EALP05RDDRA6	5	● Brilliant Red	Round	624	Trans	100 / 200	1.7 / 2.4	20
EALP05RDDYA3	5	● Brilliant Yellow	Round	589	Water Clear	2500 / 5000	1.7 / 2.4	20

LED Lamps | 5mm Round Type



UNIT : mm

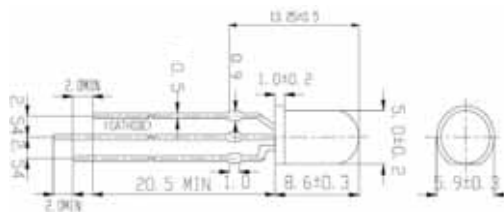


Product	Size (mm)	Color	Lens Type	λ_d (nm)/CIE(x,y)	Resin Color	I_v (Min/Typ) (mcd)	V_F (Typ/Max) (V)	Viewing Angle (°)
EALP05RDEWA3	5	○ White	Round	x=0.30, y=0.29	Water Clear	14250 / 28500	3.2 / 3.6	15
EALP05RDEWA1	5	○ White	Round	x=0.29, y=0.28	Water Clear	4500 / 9000	3.2 / 3.6	50
EALP05RDEWA0	5	○ White	Round	x=0.29, y=0.28	Water Clear	11250 / 16875	2.8 / 3.6	20
EALP05RDEWA2	5	○ White	Round	x=0.30, y=0.29	Water Clear	11250 / 16875	2.8 / 3.6	20
EALP05RDEWA4	5	○ White	Round	x=0.29, y=0.28	Water Clear	7150 / 10700	2.8 / 3.6	20
EALP05RDEWA5	5	○ White	Round	x=0.29, y=0.28	Water Clear	7150 / 10700	2.8 / 3.6	20
EALP05RDEWA6	5	● Warm White	Round	x=0.40, y=0.39	Water Clear	7150 / 10700	2.8 / 3.6	20

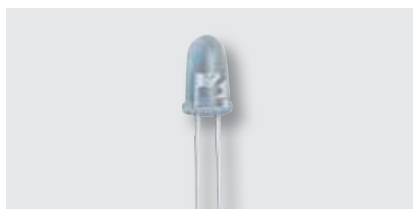
LED Lamps | 5mm Round Type



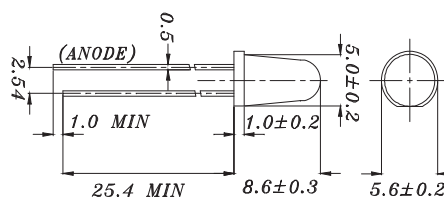
UNIT : mm



Product	Size (mm)	Color	Lens Type	λ_d (nm)/CIE(x,y)	Resin Color	I_v (Min/Typ) (mcd)	V_F (Typ/Max) (V)	Viewing Angle (°)
EALP05RDFRGA0	5	● Brilliant Red ● Brilliant Yellow Green	Round	624 / 573	Water Clear	160 / 250 40 / 63	2.0 / 2.4 2.0 / 2.4	25
EALP05RDFRGA2	5	● Brilliant Red ● Brilliant Yellow Green	Round	624 / 573	White Diffused	40 / 80 25 / 50	2.0 / 2.4 2.0 / 2.4	70
EALP05RDFYGA0	5	● Brilliant Yellow ● Brilliant Yellow Green	Round	589 / 573	White Diffused	63 / 100 32 / 50	2.0 / 2.4 2.0 / 2.4	70
EALP05RDFYBA0	5	● Brilliant Yellow ● Blue	Round	589 / 470	White Diffused	25 / 50 16 / 32	2.0 / 2.4 3.5 / 4.3	100
EALP05RDFRGA1	5	● Deep Red ● Brilliant Yellow Green	Round	639/573	Water clear	160 / 320 160 / 620	2.0 / 2.4 2.0 / 2.4	30



UNIT : mm

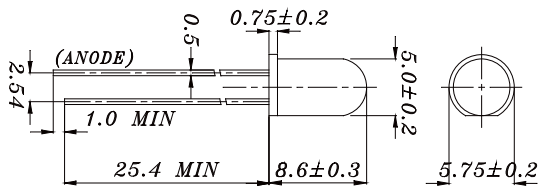


Product	Size (mm)	Color	Lens Type	λ_d (nm)/CIE(x,y)	Resin Color	I_v (Min/Typ) (mcd)	V_F (Typ/Max) (V)	Viewing Angle (°)
EALP05RDGRA0	5	● Deep Red	Round	639	Water clear	1000 / 2000	2.0 / 2.4	6
EALP05RDGGA1	5	● Brilliant Green	Round	525	Water clear	2500 / 4500	3.3 / 3.7	25
EALP05RDGBA0	5	● Blue	Round	470	Water Clear	1600 / 3200	3.4 / 4.0	20
EALP05RDGRA3	5	● Brilliant Red	Round	624	Water Clear	4000 / 6300	2.0 / 2.4	6
EALP05RDGRA1	5	● Brilliant Red	Round	624	Water Clear	6300 / 12500	2.0 / 2.4	6
EALP05RDGRA2	5	● Brilliant Red	Round	624	Water Clear	1000 / 2500	2.0 / 2.4	6
EALP05RDGRA4	5	● Brilliant Red	Round	624	Water Clear	4000 / 6300	2.0 / 2.4	6
EALP05RDGGA0	5	● Brilliant Yellow Green	Round	573	Water Clear	160 / 320	2.0 / 2.4	10
EALP05RDGGA2	5	● Brilliant Yellow Green	Round	573	Color Diffused	40 / 80	2.0 / 2.4	25
EALP05RDGOA0	5	● Reddish Orange	Round	615	Water Clear	6300 / 8000	2.0 / 2.4	6
EALP05RDGYA0	5	● Brilliant Yellow	Round	589	Water Clear	4000 / 8000	2.0 / 2.4	6
EALP05RDGYA1	5	● Brilliant Yellow	Round	589	Water Clear	2713 / 4263	2.0 / 2.4	6

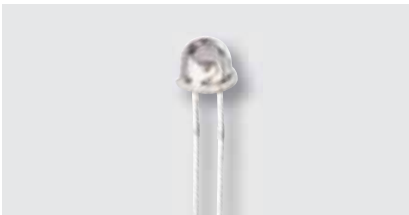
LED Lamps | 5mm Round Type



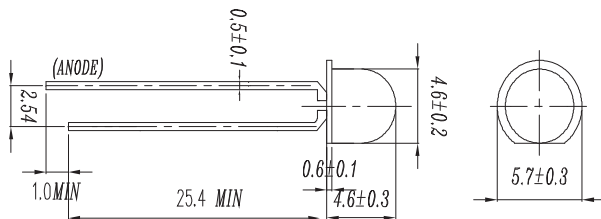
UNIT : mm



Product	Size (mm)	Color	Lens Type	λ_d (nm)/ CIE(x,y)	Resin Color	I_V (Min/Typ) (mcd)	V_F (Typ/Max) (V)	Viewing Angle (°)
EALP05RDHRA2	5	● Deep Red	Round	639	Color Diffused	160 / 320	2.0 / 2.4	30
EALP05RDHRA0	5	● Brilliant Red	Round	624	Color Diffused	250 / 500	2.0 / 2.4	40
EALP05RDHRA1	5	● Deep Red	Round	639	Color Diffused	160 / 320	2.0 / 2.4	30
EALP05RDHRA3	5	● Brilliant Red	Round	624	Trans	400 / 800	2.0 / 2.4	25
EALP05RDHGA1	5	● Brilliant Yellow Green	Round	573	Color Diffused	100 / 200	2.0 / 2.4	25
EALP05RDHGA0	5	● Brilliant Yellow Green	Round	573	Trans	630 / 1250	2.0 / 2.4	20
EALP05RDHYA0	5	● Brilliant Yellow	Round	589	Color Diffused	400 / 800	2.0 / 2.4	25



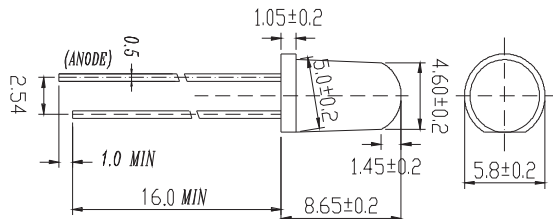
UNIT : mm



Product	Size (mm)	Color	Lens Type	λ_d (nm)/ CIE(x,y)	Resin Color	I_V (Min/Typ) (mcd)	V_F (Typ/Max) (V)	Viewing Angle (°)
EALP05RDIBA0	4.6	● Blue	Round	470	Water Clear	250 / 500	3.4 / 4.0	60
EALP05RDIRA0	4.6	● Brilliant Red	Round	624	Water Clear	160 / 320	2.0 / 2.4	100
EALP05RDIGA1	4.6	● Brilliant Green	Round	525	Water clear	630 / 1250	3.3 / 3.7	50
EALP05RDIGA0	4.6	● Brilliant Yellow Green	Round	573	Water clear	40 / 80	2.0 / 2.4	70



UNIT : mm



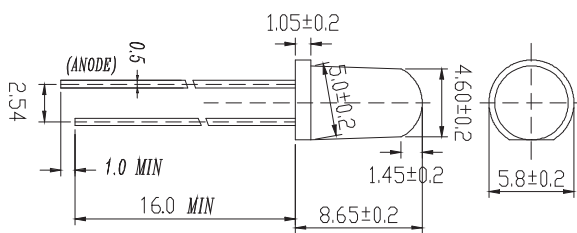
Product	Size (mm)	Color	Lens Type	λ_d (nm)/ CIE(x,y)	Resin Color	I_V (Min/Typ) (mcd)	V_F (Typ/Max) (V)	Viewing Angle (°)
EALP05RDJRA0	4.6	● Brilliant Red	Round	624	Water Clear	2500 / 3200	2.0 / 2.4	20
EALP05RDJRA2	4.6	● Brilliant Red	Round	624	Color Diffused	160 / 320	2.0 / 2.4	40
EALP05RDJRA1	4.6	● Brilliant Red	Round	624	Water clear	400 / 800	2.0 / 2.4	20
EALP05RDJGA0	4.6	● Brilliant Yellow Green	Round	573	Color Diffused	63 / 125	2.0 / 2.4	40
EALP05RDJOA0	4.6	● Reddish Orange	Round	615	Water Clear	630 / 1250	2.0 / 2.4	20
EALP05RDJYA0	4.6	● Brilliant Yellow	Round	589	Water Clear	1600 / 2500	2.0 / 2.4	30
EALP05RDJYA1	4.6	● Brilliant Yellow	Round	589	Water Clear	1600 / 3200	2.0 / 2.4	30
EALP05RDJYA2	4.6	● Brilliant Yellow	Round	589	Water Clear	1000 / 2000	2.0 / 2.4	15
EALP05RDJRA3	4.6	● Brilliant Red	Round	624	Water Clear	1000 / 1600	2.0 / 2.4	30

LED Lamps

LED Lamps | 5mm Round Type

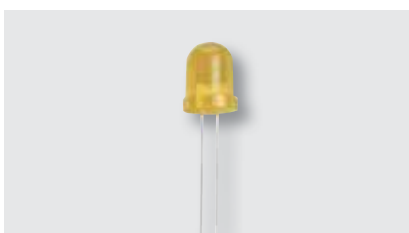


UNIT : mm

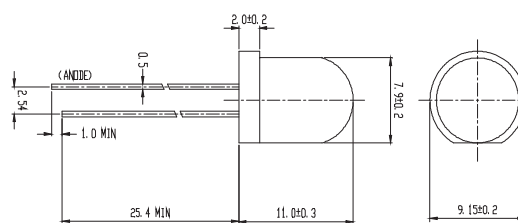


Product	Size (mm)	Color	Lens Type	λ_d (nm)/ CIE(x,y)	Resin Color	I_v (Min/Typ) (mcd)	V_F (Typ/Max) (V)	Viewing Angle (°)
EALP05RDKBA0	4.6	Blue	Round	470	Water Clear	1000 / 2000	3.4 / 4.0	30
EALP05RDKGA0	4.6	Brilliant Green	Round	525	Water Clear	5000 / 8000	3.4 / 4.0	30
EALP05RDKGA1	4.6	Brilliant Green	Round	525	Water Clear	8000 / 11000	3.4 / 4.0	20

LED Lamps | 8mm Round Type

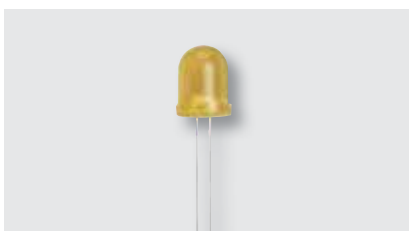


UNIT : mm

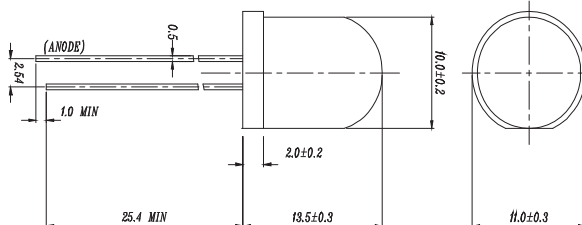


Product	Size (mm)	Color	Lens Type	λ_d (nm)/ CIE(x,y)	Resin Color	I_v (Min/Typ) (mcd)	V_F (Typ/Max) (V)	Viewing Angle (°)
EALP05RDGRA5	7.9	Brilliant Red	Round	624	Color Diffused	63 / 125	2.0 / 2.4	60
EALP08RDAYA0	7.9	Brilliant Yellow	Round	589	Color Diffused	80 / 125	2.0 / 2.4	60
EALP05RDGGA3	7.9	Brilliant Yellow Green	Round	573	Water clear	320 / 630	2.0 / 2.4	20

LED Lamps | 10mm Round Type



UNIT : mm

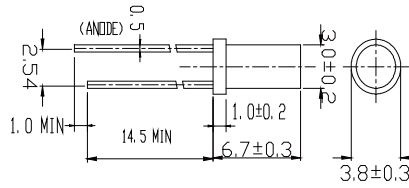


Product	Size (mm)	Color	Lens Type	λ_d (nm)/ CIE(x,y)	Resin Color	I_v (Min/Typ) (mcd)	V_F (Typ/Max) (V)	Viewing Angle (°)
EALP10RDARA0	10	Brilliant Red	Round	624	Color Diffused	63 / 125	2.0 / 2.4	40
EALP10RDAGA1	10	Brilliant Yellow Green	Round	573	Color Diffused	16 / 32	2.0 / 2.4	30
EALP10RDAYA0	10	Brilliant Yellow	Round	589	Water clear	250 / 630	2.0 / 2.4	25
EALP10RDAGA0	10	Brilliant Green	Round	525	Color Diffused	630 / 1250	3.3 / 3.7	40

LED Lamps | 3mm Cylindrical



UNIT : mm

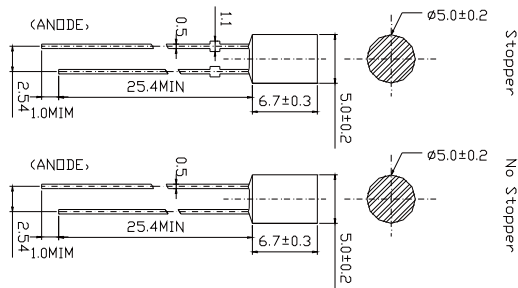


Product	Size (mm)	Color	Lens Type	λ_d (nm)/CIE(x,y)	Resin Color	I_V (Min/Typ) (mcd)	V_F (Typ/Max) (V)	Viewing Angle (°)
EALP03CLAYA0	3	● Brilliant Yellow	Cylindrical	589	Color Diffused	25 / 40	2.0 / 2.4	120
EALP03CLARA0	3	● Brilliant Red	Cylindrical	624	Color Diffused	16 / 32	2.0 / 2.4	120

LED Lamps | 5mm Cylindrical



UNIT : mm

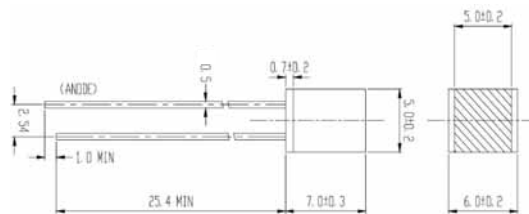


Product	Size (mm)	Color	Lens Type	λ_d (nm)/CIE(x,y)	Resin Color	I_V (Min/Typ) (mcd)	V_F (Typ/Max) (V)	Viewing Angle (°)
EALP05CLAYA0	5	● Brilliant Yellow	Cylindrical	589	Water Clear	100 / 200	2.0 / 2.4	90
EALP05CLARA0	5	● Brilliant Red	Cylindrical	624	Water clear	25 / 63	2.0 / 2.4	80

LED Lamps | 5mm Square



UNIT : mm

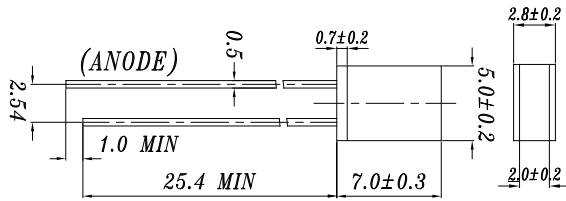


Product	Size (mm)	Color	Lens Type	λ_d (nm)/CIE(x,y)	Resin Color	I_V (Min/Typ) (mcd)	V_F (Typ/Max) (V)	Viewing Angle (°)
EALP05SQARA1	5x5	● Brilliant Red	Square	624	Color Diffused	12.5 / 20	2.0 / 2.4	130
EALP05SQAGA0	5x5	● Brilliant Yellow Green	Square	573	Color Diffused	2.5 / 5	2.0 / 2.4	170
EALP05SQAYA0	5x5	● Brilliant Yellow	Square	589	Color Diffused	10 / 20	2.0 / 2.4	170
EALP05SQAGA1	5x5	● Brilliant Yellow Green	Square	573	Color Diffused	2.5 / 5	2.0 / 2.4	170
EALP05SQARA0	5x5	● Deep Red	Square	639	Color Diffused	4 / 8	2.0 / 2.4	170

LED Lamps | Rectangular



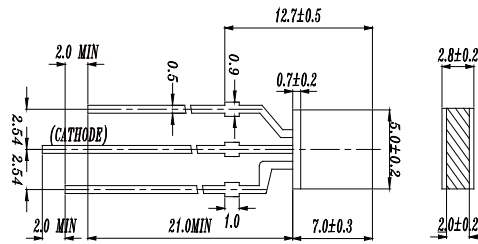
UNIT : mm



Product	Size (mm)	Color	Lens Type	λ_d (nm)/CIE(x,y)	Resin Color	I_v (Min/Typ) (mcd)	V_F (Typ/Max) (V)	Viewing Angle (°)
EALP02RRARA0	2x5	● Brilliant Red	Rectangle	624	Color Diffused	10 / 20	2.0 / 2.4	180
EALP02RRAGA0	2x5	● Brilliant Yellow Green	Rectangle	573	Color Diffused	6.3 / 12.5	2.0 / 2.4	140
EALP02RRBRA1	2x5	● Deep Red	Rectangle	639	Color Diffused	4 / 8	1.7 / 2.4	120
EALP02RRAYA0	2x5	● Brilliant Yellow	Rectangle	589	Color Diffused	20 / 32	2.0 / 2.4	150
EALP02RRBRA0	2x5	● Brilliant Red	Rectangle	470	Color Diffused	10 / 20	2.0 / 2.4	180
EALP02RRBGA0	2x5	● Brilliant Yellow Green	Rectangle	639	Color Diffused	2.5 / 5	1.7 / 2.4	180
EALP02RRAAA0	2x5	● Brilliant Orange	Rectangle	605	Trans	40 / 80	2.0 / 2.4	40
EALP02RRBYA1	2x5	● Brilliant Yellow	Rectangle	589	Color Diffused	10 / 20	1.7 / 2.4	180



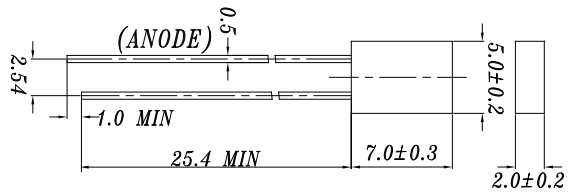
UNIT : mm



Product	Size (mm)	Color	Lens Type	λ_d (nm)/CIE(x,y)	Resin Color	I_v (Min/Typ) (mcd)	V_F (Typ/Max) (V)	Viewing Angle (°)
EALP02RRCRGA0	2x5	● Brilliant Red ● Brilliant Yellow Green	Rectangle	624 / 573	White Diffused	6.3 / 12.5 2.5 / 5.0	2.0 / 2.4 2.0 / 2.4	180
EALP02RRCYGA0	2x5	● Brilliant Yellow ● Brilliant Yellow Green	Rectangle	589/573	White Diffused	6.3 / 12.5 4 / 8	2.0 / 2.4 2.0 / 2.4	180



UNIT : mm

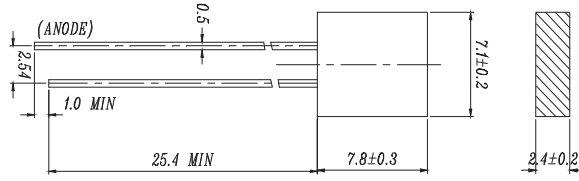


Product	Size (mm)	Color	Lens Type	λ_d (nm)/CIE(x,y)	Resin Color	I_v (Min/Typ) (mcd)	V_F (Typ/Max) (V)	Viewing Angle (°)
EALP02RRDRA1	2x5	● Deep Red	Rectangle	639	Color Diffused	10 / 16	2.0 / 2.4	120
EALP02RRDRA0	2x5	● Brilliant Red	Rectangle	624	Color Diffused	16 / 32	2.0 / 2.4	120
EALP02RRDBA0	2*5	● Blue	Rectangle	470	Water clear	63 / 100	3.3 / 3.7	90
EALP02RRDYA0	2x5	● Brilliant Yellow	Rectangle	589	Color Diffused	6.3 / 12.5	2.0 / 2.4	180
EALP02RRDGA0	2x5	● Brilliant Yellow Green	Rectangle	573	Color Diffused	4 / 8	2.0 / 2.4	150

LED Lamps | Rectangular



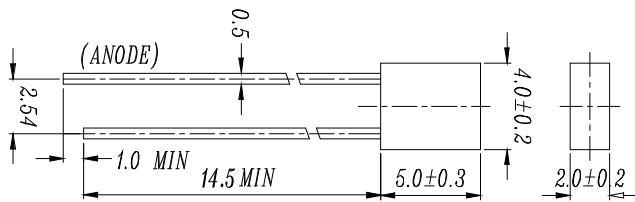
UNIT : mm



Product	Size (mm)	Color	Lens Type	λ_d (nm)/ CIE(x,y)	Resin Color	I_v (Min/Typ) (mcd)	V_F (Typ/Max) (V)	Viewing Angle (°)
EALP02RRERA1	2.4x7.1	● Deep Red	Rectangular	639	Color Diffused	4 / 8	2.0 / 2.4	180
EALP02RRERA0	2.4x7.1	● Brilliant Red	Rectangular	624	Color Diffused	16 / 25	2.0 / 2.4	120
EALP02RREGA0	2.4x7.1	● Brilliant Yellow Green	Rectangular	573	Color Diffused	2.5 / 5.0	2.0 / 2.4	180



UNIT : mm

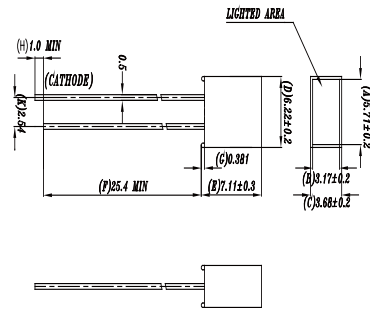


Product	Size (mm)	Color	Lens Type	λ_d (nm)/ CIE(x,y)	Resin Color	I_v (Min/Typ) (mcd)	V_F (Typ/Max) (V)	Viewing Angle (°)
EALP02RRFBA0	2x4	● Blue	Rectangular	470	Water Clear	40 / 63	3.4 / 4.0	100
EALP02RRFRA0	2x4	● Brilliant Red	Rectangular	624	Color Diffused	10 / 16	2.0 / 2.4	170
EALP02RRFYA0	2x4	● Brilliant Yellow	Rectangular	589	Color Diffused	10 / 20	2.0 / 2.4	180
EALP02RRFGA0	2x4	● Brilliant Yellow Green	Rectangular	573	Color Diffused	4.0 / 8.0	2.0 / 2.4	180

LED Lamps | Rectangular



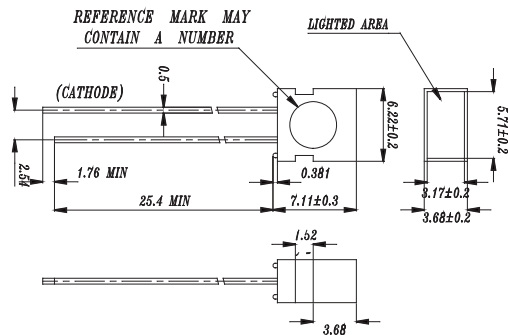
UNIT : mm



Product	Size (mm)	Color	Lens Type	λ_d (nm)/CIE(x,y)	Resin Color	I_v (Min/Typ) (mcd)	V_F (Typ/Max) (V)	Viewing Angle (°)
EALP03RRARA0	3.68x6.22	● Brilliant Red	Rectangular	624	Color Diffused	25 / 50	2.0 / 2.4	110
EALP03RRAGA0	3.68x6.22	● Brilliant Yellow Green	Rectangular	573	Color Diffused	6.3 / 12.5	2.0 / 2.4	110
EALP03RRAYA0	3.68x6.22	● Brilliant Yellow	Rectangular	589	Color Diffused	25 / 50	2.0 / 2.4	110
EALP03RRABA0	3.68x6.22	● Blue	Rectangular	470	Color Diffused	63 / 125	3.3 / 3.7	100
EALP03RRAGA1	3.68x6.22	● Brilliant Green	Rectangular	525	Color Diffused	16 / 50	3.3 / 3.7	110



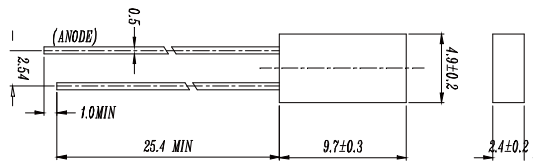
UNIT : mm



Product	Size (mm)	Color	Lens Type	λ_d (nm)/CIE(x,y)	Resin Color	I_v (Min/Typ) (mcd)	V_F (Typ/Max) (V)	Viewing Angle (°)
EALP03RRBGRA0	3.68x6.22	● Brilliant Yellow Green ● Brilliant Red	Rectangular	573 / 624	White Diffused	10 / 20 25 / 50	2.0 / 2.4 2.0 / 2.4	120



UNIT : mm

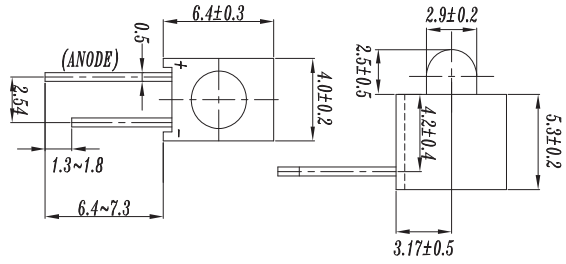


Product	Size (mm)	Color	Lens Type	λ_d (nm)/CIE(x,y)	Resin Color	I_v (Min/Typ) (mcd)	V_F (Typ/Max) (V)	Viewing Angle (°)
EALP02RRGGA0	2.4x4.9	● Brilliant Yellow Green	Round	573	Color Diffused	2.5 / 5.0	2.0 / 2.4	180
EALP02RRGRA0	2.4x4.9	● Brilliant Red	Round	624	Color Diffused	10 / 20	2.0 / 2.4	170
EALP02RRGYA0	2.4x4.9	● Brilliant Yellow	Round	589	Color Diffused	10 / 20	2.0 / 2.4	180

LED Lamps | 3mm Assembly LED



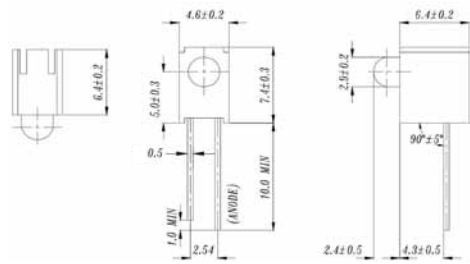
UNIT : mm



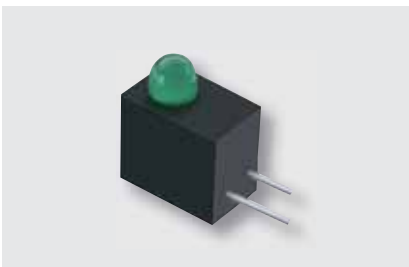
Product	Size (mm)	Color	Lens Type	λ_d (nm)/CIE(x,y)	Resin Color	I_V (Min/Typ) (mcd)	V_F (Typ/Max) (V)	Viewing Angle (°)
EAAAY03SLARA0	3	● Brilliant Red	Round	624	Color Diffused	63 / 120	2.0 / 2.4	60
EAAAY03SLAGA0	3	● Brilliant Yellow Green	Round	573	Color Diffused	16 / 32	2.0 / 2.4	60
EAAAY03SLAYA0	3	● Brilliant Yellow	Round	589	Color Diffused	50 / 100	2.0 / 2.4	60
EAAAY03SLABA0	3	● Blue	Round	470	Water clear	250 / 500	3.3 / 3.7	30



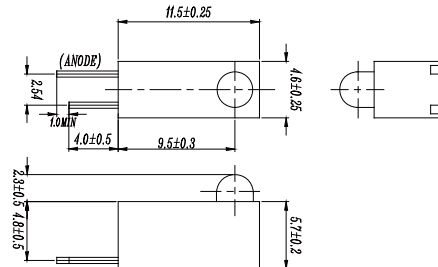
UNIT : mm



Product	Size (mm)	Color	Lens Type	λ_d (nm)/CIE(x,y)	Resin Color	I_V (Min/Typ) (mcd)	V_F (Typ/Max) (V)	Viewing Angle (°)
EAAAY03SLBBA0	3	● Blue	Round	470	Color Diffused	160 / 250	3.4 / 4.0	35
EAAAY03SLBRA0	3	● Brilliant Red	Round	624	Color Diffused	63 / 120	2.0 / 2.4	60
EAAAY03SLBGA0	3	● Brilliant Yellow Green	Round	573	Color Diffused	25 / 50	2.0 / 2.4	60
EAAAY03SLBYA0	3	● Brilliant Yellow	Round	589	Color Diffused	50 / 100	2.0 / 2.4	60
EAAAY03SLBAA0	3	● Brilliant Orange	Round	605	Color Diffused	63 / 125	2.0 / 2.4	60
EAAAY03SLBGA1	3	● Brilliant Green	Round	525	Color Diffused	630 / 1250	3.3 / 3.7	40



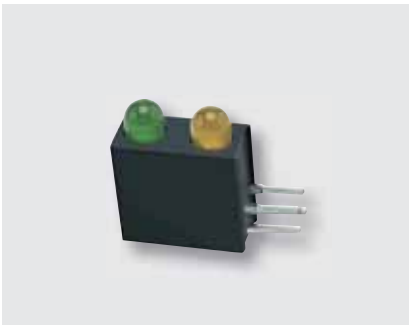
UNIT : mm



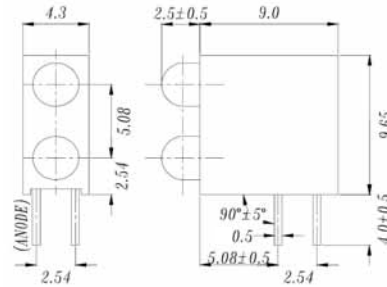
Product	Size (mm)	Color	Lens Type	λ_d (nm)/CIE(x,y)	Resin Color	I_V (Min/Typ) (mcd)	V_F (Typ/Max) (V)	Viewing Angle (°)
EAAAY03SLCGA0	3	● Brilliant Yellow Green	Round	573	Color Diffused	25 / 50	2.0 / 2.4	60
EAAAY03SLCRA0	3	● Brilliant Red	Round	624	Color Diffused	63 / 125	2.0 / 2.4	60
EAAAY03SLCYA0	3	● Brilliant Yellow	Round	589	Color Diffused	40 / 80	2.0 / 2.4	60
EAAAY03SLCBA0	3	● Blue	Round	470	Color Diffused	400 / 800	3.3 / 3.7	30

LED Lamps

LED Lamps | 3mm Assembly LED

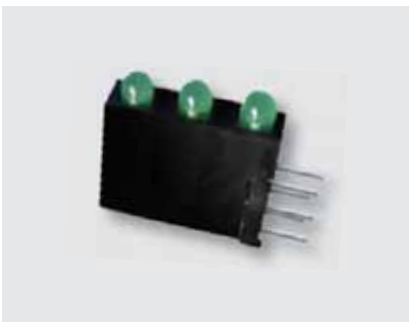


UNIT : mm

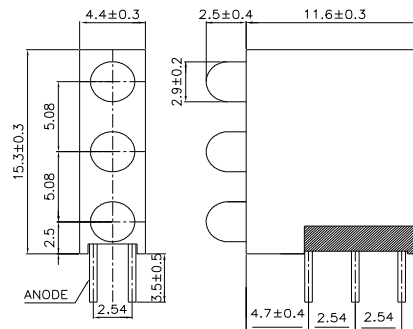


Product	Size (mm)	Color	Lens Type	λ_d (nm)/ CIE(x,y)	Resin Color	I_V (Min/Typ) (mcd)	V_F (Typ/Max) (V)	Viewing Angle (°)
EAAAY03BLARRA0	3	● Brilliant Red	Round	624	Color Diffused	10 / 25	2.0 / 2.4	60
EAAAY03BLAGGA0	3	● Brilliant Yellow Green	Round	573	Color Diffused	25 / 50	2.0 / 2.4	60
EAAAY03BLAYYA0	3	● Brilliant Yellow	Round	589	Color Diffused	16 / 32	2.0 / 2.4	60
EAAAY03BLARGA0	3	● Brilliant Red ● Brilliant Yellow Green	Round	624 / 573	Color Diffused	40 / 80 25 / 50	2.0 / 2.4 2.0 / 2.4	60 / 60
EAAAY03BLAGYA0	3	● Brilliant Yellow Green ● Brilliant Yellow	Round	573 / 589	Color Diffused	25 / 50 40 / 80	2.0 / 2.4 2.0 / 2.4	60 / 60

LED Lamps

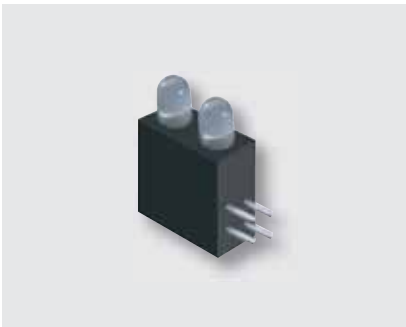


UNIT : mm

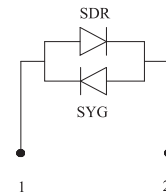
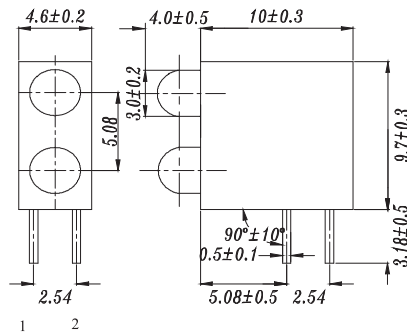


Product	Size (mm)	Color	Lens Type	λ_d (nm)/ CIE(x,y)	Resin Color	I_V (Min/Typ) (mcd)	V_F (Typ/Max) (V)	Viewing Angle (°)
EAAAY03TLAGGA0	3	● Brilliant Yellow Green	Round	573	Color Diffused	25 / 50	2.0 / 2.4	60
EAAAY03TLARRRA0	3	● Brilliant Red	Round	624	Color Diffused	63 / 125	2.0 / 2.4	60
EAAAY03TLAYYA0	3	● Brilliant Yellow	Round	589	Color Diffused	63 / 125	2.0 / 2.4	60

LED Lamps | 3mm Assembly LED



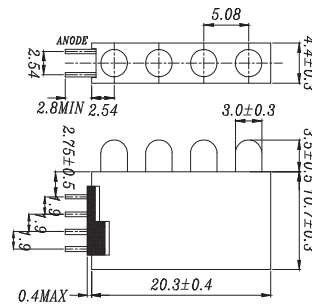
UNIT : mm



Product	Size (mm)	Color	Lens Type	λ_d (nm)/CIE(x,y)	Resin Color	I_v (Min/Typ) (mcd)	V_F (Typ/Max) (V)	Viewing Angle (°)
EAA03BLBGRA0	3	● Brilliant Yellow Green ● Deep Red	Round	573 / 639	White Diffused	16 / 32 25 / 50	2.0 / 2.4 2.0 / 2.4	50
EAA03BLBRGA0	3	● Brilliant Red ● Brilliant Yellow Green	Round	624/573	White Diffused	16 / 32 10 / 20	2.0 / 2.4 2.0 / 2.4	70
EAA03BLBGA0	3	● Brilliant Yellow Green	Round	573	Color Diffused	25 / 50	2.0 / 2.4	50
EAA03BLBRYA0	3	● Deep Red ● Brilliant Yellow Green	Round	639/573	Color Diffused	40 / 80 25 / 50	2.0 / 2.4 2.0 / 2.4	60



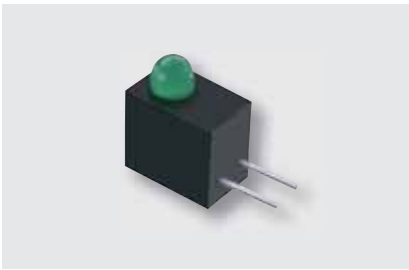
UNIT : mm



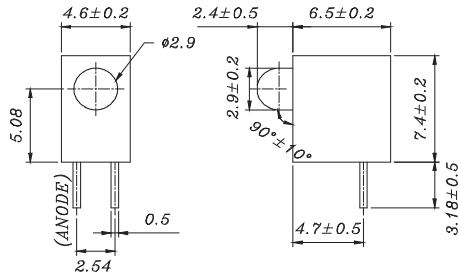
Product	Size (mm)	Color	Lens Type	λ_d (nm)/CIE(x,y)	Resin Color	I_v (Min/Typ) (mcd)	V_F (Typ/Max) (V)	Viewing Angle (°)
EAA03QLAGGGGA0	3	● Brilliant Yellow Green	Round	573	Color Diffused	16 / 32	2.0 / 2.4	60
EAA03QLAGRRRA0	3	● Brilliant Yellow Green ● Brilliant Red	Round	573/624	Color Diffused	25 / 50 63 / 125	2.0 / 2.4 2.0 / 2.4	60
EAA03QLAGGYA0	3	● Brilliant Yellow Green ● Brilliant Yellow	Round	573/589	Color Diffused	2.5 / 10 1.6 / 4	2.0 / 2.4 2.0 / 2.4	60
EAA03QLABBBBA0	3	● Blue	Round	470	White Diffused	63 / 125	3.3 / 3.7	60
EAA03QLARRRRA0	3	● Brilliant Red	Round	624	Color Diffused	40 / 63	2.0 / 2.4	60
EAA03QLAYYYA0	3	● Brilliant Yellow	Round	589	Color Diffused	50 / 100	2.0 / 2.4	60
EAA03QLA4-RBA0	3	● Brilliant Red ● Blue	Round	624 / 470	White Diffused	63 / 125 40 / 80	2.7 / 3.0 2.7 / 3.0	100
EAA03QLA4-RYA0	3	● Brilliant Red ● Brilliant Yellow Green	Round	624 / 573	White Diffused	25 / 16 50 / 32	2.0 / 2.4 2.0 / 2.4	60

LED Lamps

LED Lamps | 5mm Assembly LED



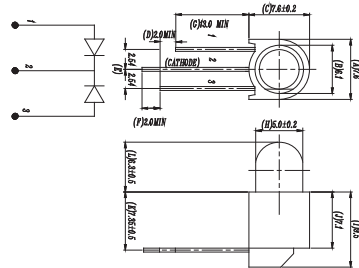
UNIT : mm



Product	Size (mm)	Color	Lens Type	λ_d (nm)/ CIE(x,y)	Resin Color	I_V (Min/Typ) (mcd)	V_F (Typ/Max) (V)	Viewing Angle (°)
EAA03SLDGA0	2.9	● Brilliant Yellow Green	Round	573	Color Diffused	25 / 50	2.0 / 2.4	60
EAA03SLDYA0	2.9	● Brilliant Yellow	Round	589	Color Diffused	40/80	2.0/2.4	60
EAA03SLDRA0	2.9	● Brilliant Red	Round	624	Color Diffused	125/320	2.0/2.4	30
EAA03SLDYG0	2.9	● Brilliant Yellow ● Brilliant Yellow Green	Round	589/573	White Diffused	16/32 16/32	2.0/2.4 2.0/2.4	100
EAA03SLDBA0	2.9	● Blue	Round	470	Color Diffused	400/800	3.3/3.7	30



UNIT : mm

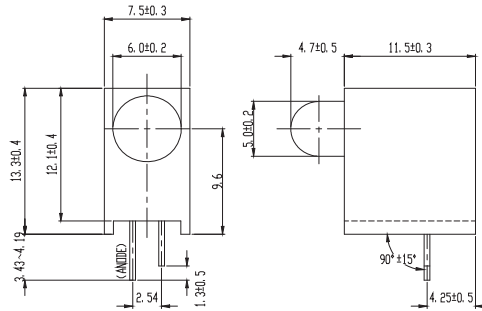


Product	Size (mm)	Color	Lens Type	λ_d (nm)/ CIE(x,y)	Resin Color	I_V (Min/Typ) (mcd)	V_F (Typ/Max) (V)	Viewing Angle (°)
EAA05SLARGA0	5	● Brilliant Red ● Brilliant Yellow Green	Round	624 / 573	White Diffused	25 / 50 16 / 32	2.0 / 2.4 2.0 / 2.4	100
EAA05SLAYYA0	5	● Brilliant Yellow ● Brilliant Yellow Green	Round	589	White Diffused	25 / 50	2.0 / 2.4	100
EAA05SLAYGA0	5	● Brilliant Yellow ● Brilliant Yellow Green	Round	589/573	White Diffused	32 / 63 20 / 40	2.0 / 2.4 2.0 / 2.4	70
EAA05SLAGYA0	5	● Brilliant Yellow Green ● Brilliant Orange	Round	573/605	White Diffused	25 / 50 40 / 80	2.0 / 2.4 2.0 / 2.4	60

LED Lamps | 5mm Assembly LED



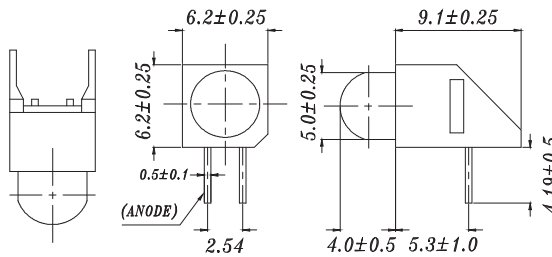
UNIT : mm



Product	Size (mm)	Color	Lens Type	λ_d (nm)/CIE(x,y)	Resin Color	I_V (Min/Typ) (mcd)	V_F (Typ/Max) (V)	Viewing Angle (°)
EAAAY05SLBRA0	5	● Brilliant Red	Round	624	Color Diffused	100 / 200	2.0 / 2.4	30
EAAAY05SLBGA0	5	● Brilliant Yellow Green	Round	573	Color Diffused	40 / 80	2.0 / 2.4	45
EAAAY05SLBYA0	5	● Brilliant Yellow	Round	589	Color Diffused	100 / 200	2.0 / 2.4	30
EAAAY05SLBBA0	5	● Blue	Round	470	Color Diffused	630 / 1250	3.3 / 3.7	60



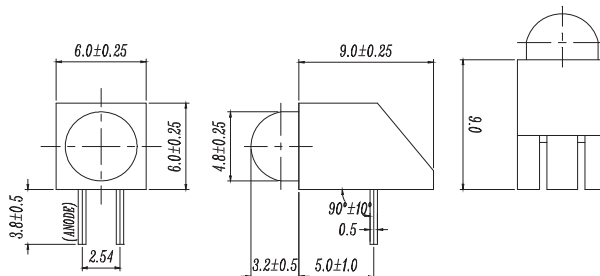
UNIT : mm



Product	Size (mm)	Color	Lens Type	λ_d (nm)/CIE(x,y)	Resin Color	I_V (Min/Typ) (mcd)	V_F (Typ/Max) (V)	Viewing Angle (°)
EAAAY05SLCRA0	5	● Brilliant Red	Round	624	Color Diffused	100 / 200	2.0 / 2.4	30
EAAAY05SLCGA0	5	● Brilliant Yellow Green	Round	573	Color Diffused	40 / 80	2.0 / 2.4	45
EAAAY05SLCYA0	5	● Brilliant Yellow	Round	589	Color Diffused	100 / 200	2.0 / 2.4	30
EAAAY05SLCBA0	5	● Blue	Round	470	Color Diffused	200 / 400	3.3 / 3.7	25



UNIT : mm



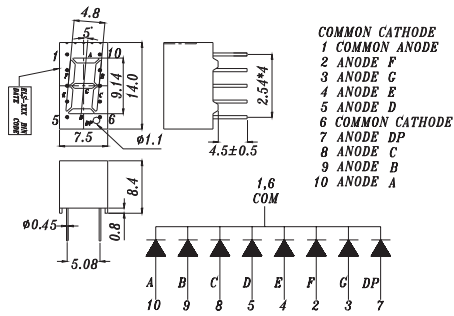
Product	Size (mm)	Color	Lens Type	λ_d (nm)/CIE(x,y)	Resin Color	I_V (Min/Typ) (mcd)	V_F (Typ/Max) (V)	Viewing Angle (°)
EAAAY05SLDRA0	4.7	● Brilliant Red	Round	624	Color Diffused	100 / 250	2.0 / 2.4	40
EAAAY05SLDGA0	4.7	● Brilliant Yellow Green	Round	573	Water clear	160 / 320	2.0 / 2.4	20
EAAAY05SLDYA0	4.7	● Brilliant Yellow	Round	589	Color Diffused	50 / 120	2.0 / 2.4	40
EAAAY05SLDGA1	4.7	● Brilliant Yellow Green	Round	573	Color Diffused	40 / 80	2.0 / 2.4	80
EAAAY05SLDRA1	4.7	● Deep Red	Round	639	Color Diffused	63 / 100	2.0 / 2.4	50
EAAAY05SLDBA0	4.7	● Blue	Round	470	Color Diffused	400 / 800	3.3 / 3.7	20

LED Lamps

LED Digital Displays | Chip On Board Display | Single Digit Display



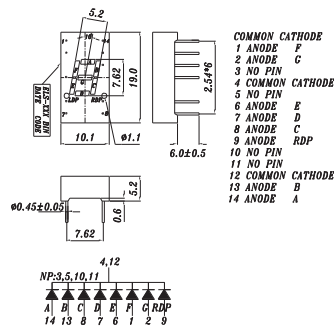
UNIT : mm



Product	Segement Height mm (inch)	Color	Segement Width	CC/CA	λ_d (nm)	Resin Color	Face Color	I_v (Min/Typ) (mcd)
EADCS036RA1	9.14 (0.3)	● Brilliant Red	4.8	CC	624	White	Gray	4.0 / 8.0
EADCS036GA1	9.14 (0.3)	● Brilliant Yellow Green	4.8	CC	573	White	Gray	2.0 / 3.2



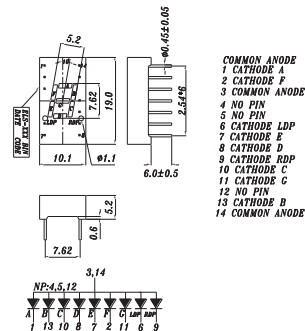
UNIT : mm



Product	Segement Height mm (inch)	Color	Segement Width	CC/CA	λ_d (nm)	Resin Color	Face Color	I_v (Min/Typ) (mcd)
EADCS030RA1	7.62 (0.3)	● Brilliant Red	5.2	CC	624	White	Gray	5.6 / 11.0
EADCS030OA1	7.62 (0.3)	● Reddish Orange	5.2	CC	615	White	Gray	7.8 / 17.6
EADCS030GA1	7.62 (0.3)	● Brilliant Yellow Green	5.2	CC	573	White	Gray	2.8 / 6.4



UNIT : mm

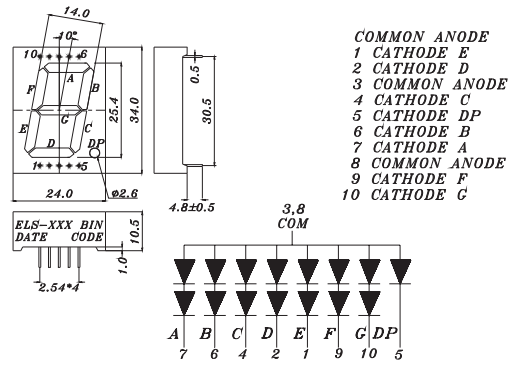


Product	Segement Height mm (Inch)	Color	Segement Width	CC/CA	λ_d (nm)	Resin Color	Face Color	I_v (Min/Typ) (mcd)
EADCS030RA2	7.62 (0.3)	● Brilliant Red	5.2	CA	624	White	Gray	5.6 / 11.0
EADCS030OA2	7.62 (0.3)	● Reddish Orange	5.2	CA	615	White	Gray	7.8 / 17.6
EADCS030GA2	7.62 (0.3)	● Green	5.2	CA	573	White	Gray	2.0 / 4.5
EADCS030BA2	7.62 (0.3)	● Blue	5.2	CA	470	White	Gray	7.8 / 17.6

LED Digital Displays | Chip On Board Display | Single Digit Display



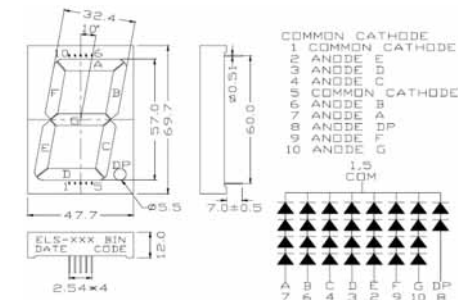
UNIT : mm



Product	Segment Height mm (inch)	Color	Segment Width	CC/CA	λ_d (nm)	Resin Color	Face Color	I_v (Min/Typ) (mcd)
EADCS100RA2	25.4 (1)	● Brilliant Red	14	CA	624	White	Gray	15 / 24



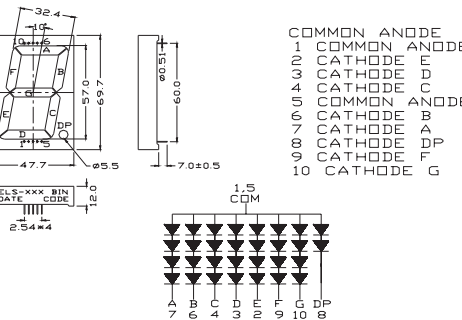
UNIT : mm



Product	Segment Height mm (inch)	Color	Segment Width	CC/CA	λ_d (nm)	Resin Color	Face Color	I_v (Min/Typ) (mcd)
EADCS224RA1	57 (2)	● Brilliant Red	32.4	CC	624	White	Gray	15 / 34



UNIT : mm

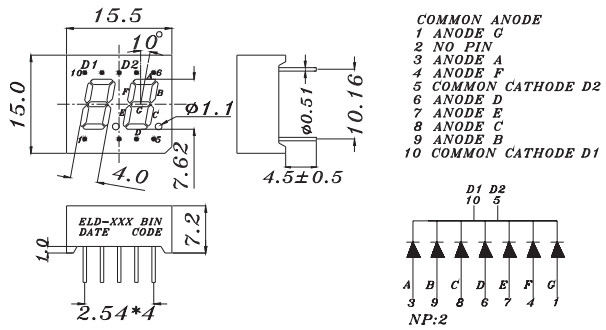


Product	Segment Height mm (inch)	Color	Segment Width	CC/CA	λ_d (nm)	Resin Color	Face Color	I_v (Min/Typ) (mcd)
EADCS224RA2	57 (2)	● Brilliant Red	32.4	CA	624	White	Gray	15 / 34
EADCS224OA1	57 (2)	● Reddish Orange	32.4	CA	615	White	Gray	30 / 67
EADCS224GA2	57 (2)	● Brilliant Yellow Green	32.4	CA	573	White	Gray	5.6 / 12.5
EADCS224BA2	57 (2)	● Blue	32.4	CA	470	White	Gray	15 / 34

LED Digital Displays | Chip On Board Display | Dual Digit Display



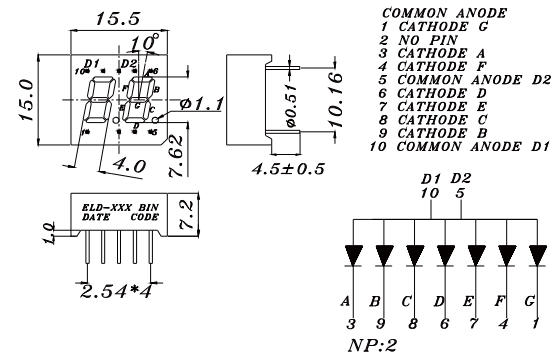
UNIT : mm



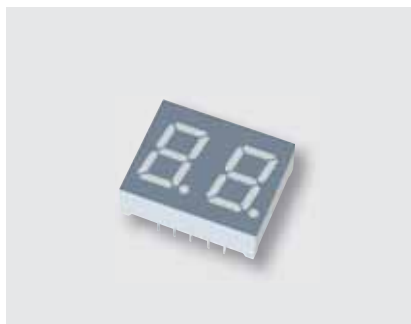
Product	Segment Height mm (inch)	Color	Segment Width	CC/CA	λ_d (nm)	Resin Color	Face Color	I_v (Min/Typ) (mcd)
EADCD030RA1	7.62 (0.3)	● Brilliant Red	4	CC	624	White	Gray	4.0 / 6.4



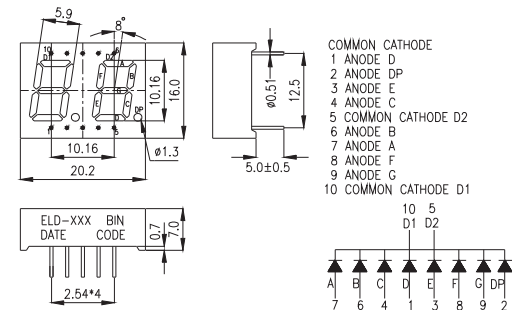
UNIT : mm



Product	Segment Height mm (inch)	Color	Segment Width	CC/CA	λ_d (nm)	Resin Color	Face Color	I_v (Min/Typ) (mcd)
EADCD030RA2	7.62 (0.3)	● Brilliant Red	4	CA	624	White	Gray	4.0 / 6.4



UNIT : mm

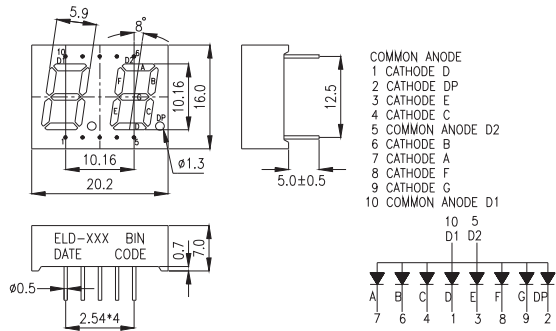


Product	Segment Height mm (inch)	Color	Segment Width	CC/CA	λ_d (nm)	Resin Color	Face Color	I_v (Min/Typ) (mcd)
EADCD040RA1	10.16 (0.4)	● Brilliant Red	5.9	CC	624	White	Gray	7.8 / 15.0
EADCD040OA1	10.16 (0.4)	● Reddish Orange	5.9	CC	615	White	Gray	11.0 / 24.0
EADCD040GA1	10.16 (0.4)	● Brilliant Yellow Green	5.9	CC	573	White	Gray	2.0 / 3.2

LED Digital Displays | Chip On Board Display | Dual Digit Display



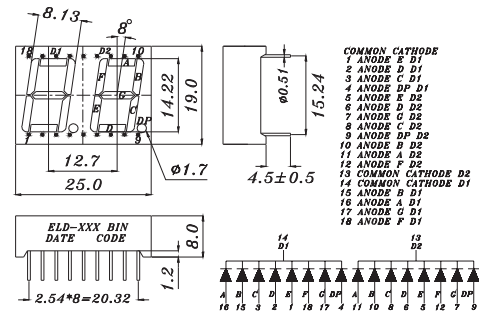
UNIT : mm



Product	Segment Height mm (inch)	Color	Segment Width	CC/CA	λ_d (nm)	Resin Color	Face Color	I_v (Min/Typ) (mcd)
EADCD040RA2	10.16 (0.4)	● Brilliant Red	5.9	CA	624	White	Black	7.8 / 15
EADCD040OA2	10.16 (0.4)	● Reddish Orange	5.9	CA	615	White	Gray	11 / 24
EADCD040YA2	10.16 (0.4)	● Brilliant Yellow	5.9	CA	605	White	Black	5.6 / 12.5
EADCD040GA2	10.16 (0.4)	● Brilliant Yellow Green	5.9	CA	573	White	Gray	2 / 3.2



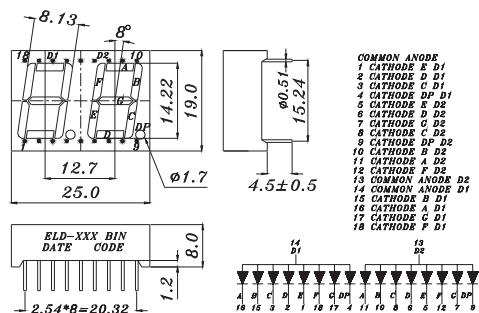
UNIT : mm



Product	Segment Height mm (inch)	Color	Segment Width	CC/CA	λ_d (nm)	Resin Color	Face Color	I_v (Min/Typ) (mcd)
EADCD056RA1	14.22 (0.5)	● Brilliant Red	8.13	CC	624	White	Black	7.8 / 15
EADCD056OA1	14.22 (0.5)	● Reddish Orange	8.13	CC	615	White	Grey	7.8 / 15



UNIT : mm

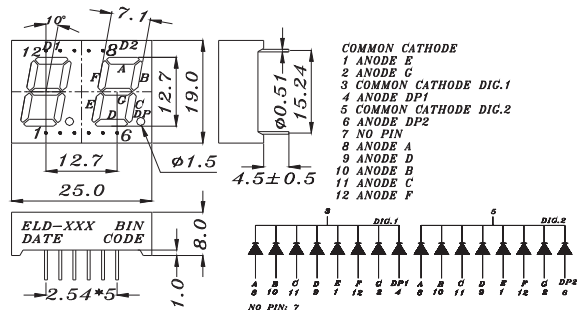


Product	Segment Height mm (inch)	Color	Segment Width	CC/CA	λ_d (nm)	Resin Color	Face Color	I_v (Min/Typ) (mcd)
EADCD056RA6	14.22 (0.5)	● Brilliant Red	8.13	CA	624	White	Black	7.8 / 15
EADCD056BA2	14.22 (0.5)	● Blue	8.13	CA	470	White	Gray	4 / 6.4
EADCD056RA2	14.22 (0.5)	● Deep Red	8.13	CA	639	Red	Black	4 / 8.9
EADCD056RA4	14.22 (0.5)	● Brilliant Red	8.13	CA	624	White	Gray	1.5 / 7.8
EADCD056GA2	14.22 (0.5)	● Brilliant Yellow Green	8.13	CA	573	Green	Black	2.8 / 6.4
EADCD056GA4	14.22 (0.5)	● Brilliant Yellow Green	8.13	CA	573	White	Gray	2.8 / 6.4
EADCD056GA6	14.22 (0.5)	● Brilliant Yellow Green	8.13	CA	573	White	Black	2.8 / 6.4
EADCD056GA8	14.22 (0.5)	● Brilliant Yellow Green	8.13	CA	573	Green	Black	1.7 / 2.4

LED Digital Displays | Chip On Board Display | Dual Digit Display



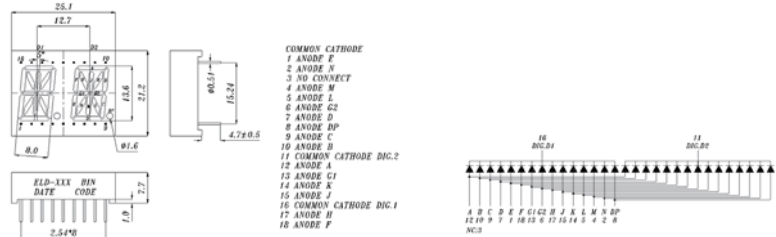
UNIT : mm



Product	Segment Height mm (inch)	Color	Segment Width	CC/CA	λ_d (nm)	Resin Color	Face Color	I_v (Min/Typ) (mcd)
EADCD050RA1	12.7 (0.5)	● Brilliant Red	7.1	CC	624	White	Gray	7.8 / 15



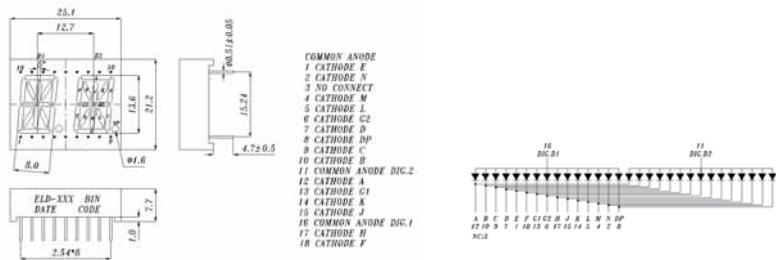
UNIT : mm



Product	Segment Height mm (inch)	Color	Segment Width	CC/CA	λ_d (nm)	Resin Color	Face Color	I_v (Min/Typ) (mcd)
EADCD054RA1	13.6 (0.5)	● Brilliant Red	8	CC	624	White	Gray	7.8 / 12.5
EADCD054GA1	13.6 (0.5)	● Brilliant Yellow Green	8	CC	573	White	Gray	2.8 / 4.5



UNIT : mm

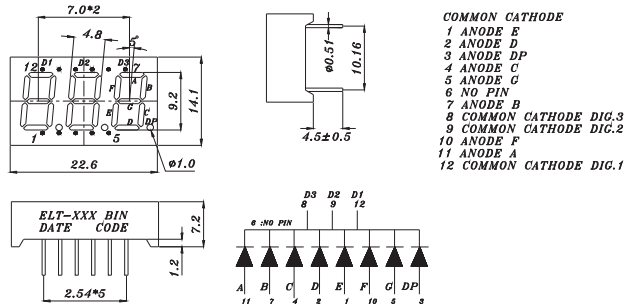


Product	Segment Height mm (inch)	Color	Segment Width	CC/CA	λ_d (nm)	Resin Color	Face Color	I_v (Min/Typ) (mcd)
EADCD054RA2	13.6 (0.5)	● Brilliant Red	8	CA	624	White	Gray	7.8 / 12.5
EADCD054OA0	13.6 (0.5)	● Reddish Orange	8	CA	615	White	Gray	5.6 / 12.5
EADCD054OA1	13.6 (0.5)	● Reddish Orange	8	CA	615	White	Gray	1.7 / 2.4

LED Digital Displays | Chip On Board Display | Three Digit Display



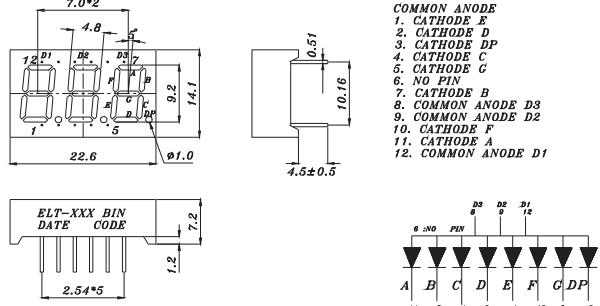
UNIT : mm



Product	Segment Height mm (inch)	Color	Segment Width	CC/CA	λ_d (nm)	Resin Color	Face Color	I_v (Min/Typ) (mcd)
EADCT036GA1	9.2 (0.3)	● Brilliant Yellow Green	4.8	CC	573	White	Gray	1.4 / 3.2



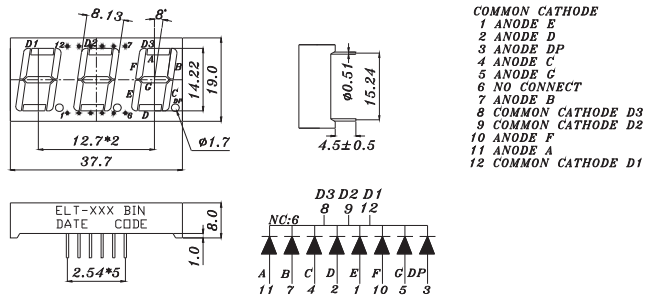
UNIT : mm



Product	Segment Height mm (inch)	Color	Segment Width	CC/CA	λ_d (nm)	Resin Color	Face Color	I_v (Min/Typ) (mcd)
EADCT036RA2	9.2 (0.3)	● Brilliant Red	4.8	CA	624	White	Gray	5.6 / 11
EADCT036GA2	9.2 (0.3)	● Brilliant Yellow Green	4.8	CA	573	White	Gray	1.4 / 3.2



UNIT : mm

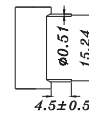
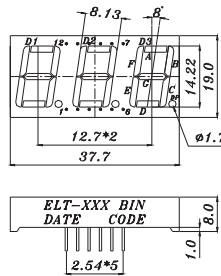


Product	Segment Height mm (inch)	Color	Segment Width	CC/CA	λ_d (nm)	Resin Color	Face Color	I_v (Min/Typ) (mcd)
EADCT056RA1	14.22 (0.5)	● Brilliant Red	8.13	CC	624	White	Gray	7.8 / 17.6
EADCT056GA1	14.22 (0.5)	● Brilliant Yellow Green	8.13	CC	573	White	Gray	2.8 / 4.5
EADCT056AA1	14.22 (0.5)	● Brilliant Yellow	8.13	CC	605	White	Gray	5.6 / 12.5

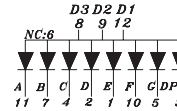
LED Digital Displays | Chip On Board Display | Three Digit Display



UNIT : mm



- COMMON ANODE**
 1 CATHODE E
 2 CATHODE D
 3 CATHODE DP
 4 CATHODE C
 5 CATHODE G
 6 NO CONNECT
 7 CATHODE B
 8 COMMON ANODE D3
 9 COMMON ANODE D2
 10 CATHODE F
 11 CATHODE A
 12 COMMON ANODE D1

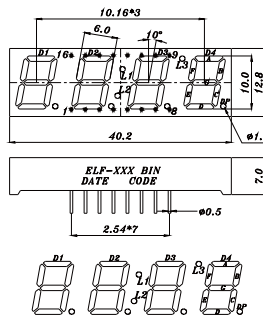


Product	Segment Height mm (inch)	Color	Segment Width	CC/CA	λ_d (nm)	Resin Color	Face Color	I_v (Min/Typ) (mcd)
EADCT056RA2	14.22 (0.5)	● Brilliant Red	8.13	CA	624	White	Gray	7.8 / 17.6
EADCT056GA2	14.22 (0.5)	● Brilliant Yellow Green	8.13	CA	573	White	Gray	2.8 / 4.5
EADCT056AA2	14.22 (0.5)	● Brilliant Yellow	8.13	CA	605	White	Gray	5.6 / 12.5
EADCT056BA2	14.22 (0.5)	● Blue	8.13	CA	470	White	Black	7.8 / 17.6

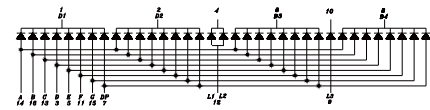
LED Digital Display | Chip On Board Display | Four Digit Display



UNIT : mm



- COMMON CATHODE**
 1 COMMON CATHODE D1
 2 COMMON CATHODE D2
 3 ANODE D
 4 COMMON CATHODE L1,L2
 5 ANODE E
 6 COMMON CATHODE D3
 7 ANODE DP
 8 COMMON CATHODE D4
 9 ANODE L3
 10 CATHODE L3
 11 ANODE F
 12 ANODE L1,L2
 13 ANODE C
 14 ANODE A
 15 ANODE G
 16 ANODE B

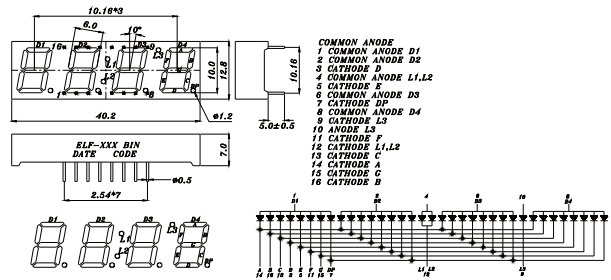


Product	Segment Height mm (inch)	Color	Segment Width	CC/CA	λ_d (nm)	Resin Color	Face Color	I_v (Min/Typ) (mcd)
EADCF040RA1	10 (0.4)	● Brilliant Red	6	CC	624	White	Gray	5.6 / 8.9

LED Digital Displays | Chip On Board Display | Four Digit Display



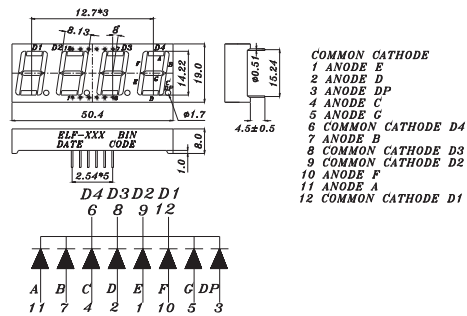
UNIT : mm



Product	Segment Height mm (inch)	Color	Segment Width	CC/CA	λ_d (nm)	Resin Color	Face Color	I_v (Min/Typ) (mcd)
EADCF040GA2	10 (0.4)	● Brilliant Yellow Green	6	CA	573	White	Gray	4 / 8.9
EADCF040RA2	10 (0.4)	● Brilliant Red	6	CA	624	White	Gray	5.6 / 12.5
EADCF040RA4	10 (0.4)	● Brilliant Red	6	CA	631	White	Gray	5.6 / 8.9



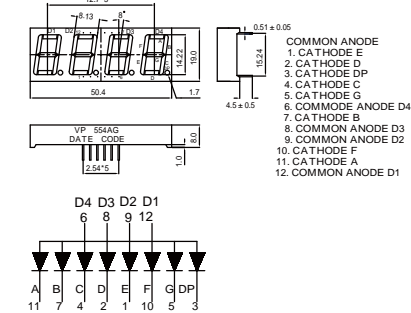
UNIT : mm



Product	Segment Height mm (inch)	Color	Segment Width	CC/CA	λ_d (nm)	Resin Color	Face Color	I_v (Min/Typ) (mcd)
EADCF056RA1	14.22 (0.5)	● Brilliant Red	8.13	CC	624	White	Gray	7.8 / 15
EADCF056GA1	14.22 (0.5)	● Brilliant Yellow Green	8.13	CC	573	White	Gray	4 / 4.5

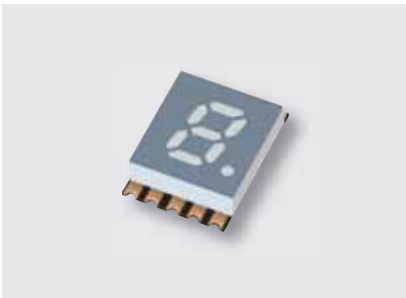


UNIT : mm

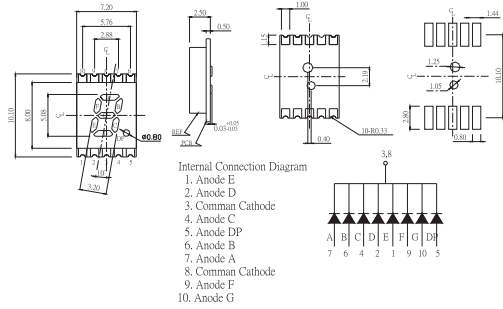


Product	Segment Height mm (inch)	Color	Segment Width	CC/CA	λ_d (nm)	Resin Color	Face Color	I_v (Min/Typ) (mcd)
EADCF056RA2	14.22 (0.5)	● Brilliant Red	8.13	CA	624	White	Gray	7.8 / 15
EADCF056GA2	14.22 (0.5)	● Brilliant Yellow Green	8.13	CA	573	White	Gray	2.8 / 4.5

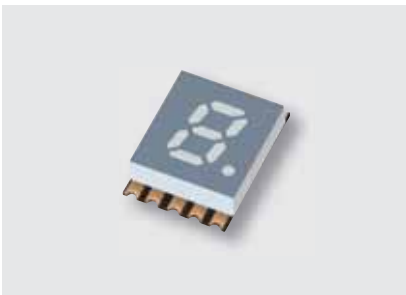
LED Digital Displays | SMD Display | Single Digit Display



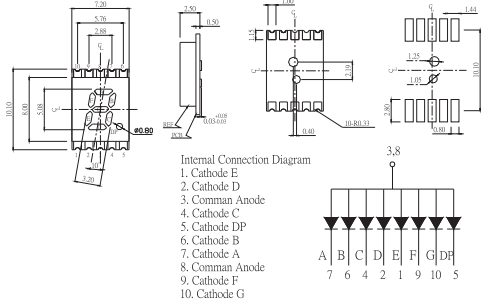
UNIT : mm



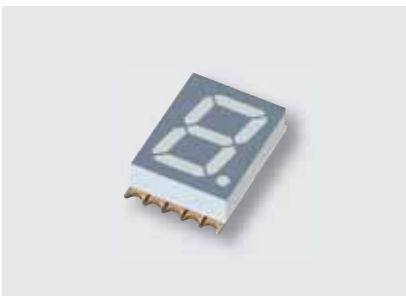
Product	Segment Height mm (inch)	Color	Segment Width	CC/CA	λ_d (nm)	Resin Color	Face Color	I_v (Min/Typ) (mcd)
EADSS020RA1	5.08 (0.2)	● Brilliant Red	3.2	CC	624	White	Gray	5.6 / 13.7
EADSS020YA1	5.08 (0.2)	● Brilliant Yellow	3.2	CC	589	White	Gray	7.8 / 16.3
EADSS020GA1	5.08 (0.2)	● Brilliant Yellow Green	3.2	CC	573	White	Gray	4 / 11.5



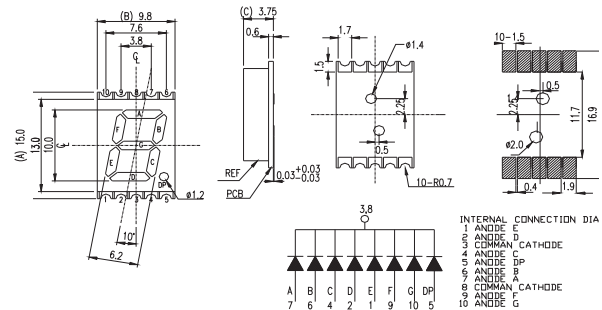
UNIT : mm



Product	Segment Height mm (inch)	Color	Segment Width	CC/CA	λ_d (nm)	Resin Color	Face Color	I_v (Min/Typ) (mcd)
EADSS020RA2	5.08 (0.2)	● Brilliant Red	3.2	CA	624	White	Gray	5.6 / 13.7
EADSS020YA2	5.08 (0.2)	● Brilliant Yellow	3.2	CA	589	White	Gray	7.8 / 16.7

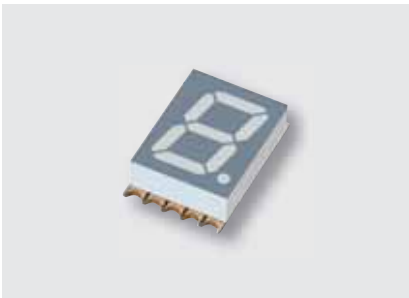


UNIT : mm

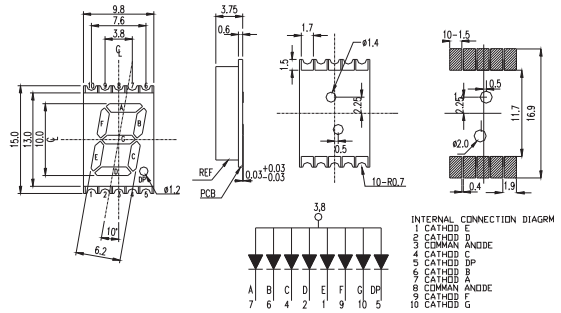


Product	Segment Height mm (inch)	Color	Segment Width	CC/CA	λ_d (nm)	Resin Color	Face Color	I_v (Min/Typ) (mcd)
EADSS040RA1	10 (0.4)	● Brilliant Red	6.2	CC	624	White	Black	7.8 / 16.5

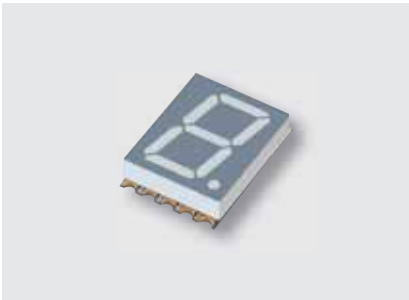
LED Digital Displays | SMD Display | Single Digit Display



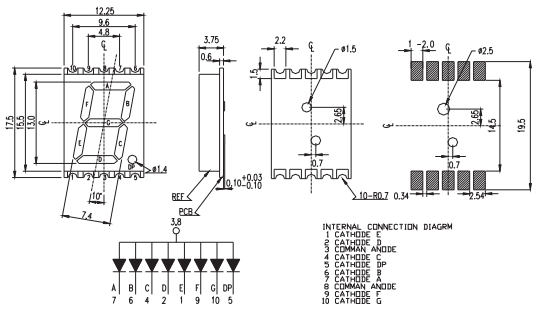
UNIT : mm



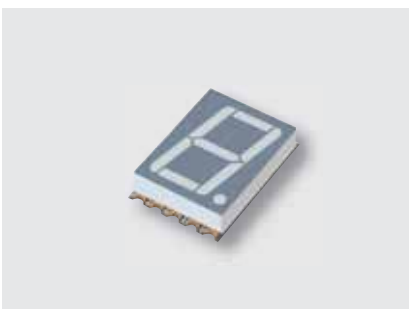
Product	Segment Height mm (inch)	Color	Segment Width	CC/CA	λ_d (nm)	Resin Color	Face Color	I_v (Min/Typ) (mcd)
EADSS040RA2	10 (0.4)	● Brilliant Red	6.2	CA	624	White	Gray	7.8 / 16.4



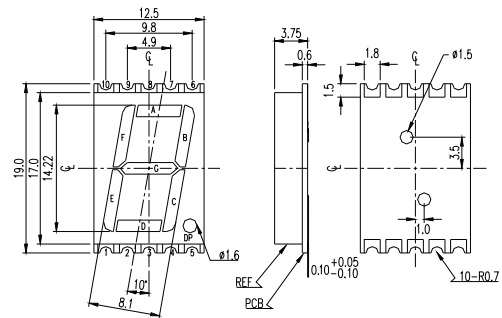
UNIT : mm



Product	Segment Height mm (inch)	Color	Segment Width	CC/CA	λ_d (nm)	Resin Color	Face Color	I_v (Min/Typ) (mcd)
EADSS050GA2	13.0 (0.5)	● Brilliant Yellow Green	7.4	CA	573	White	Gray	5.6 / 9.1



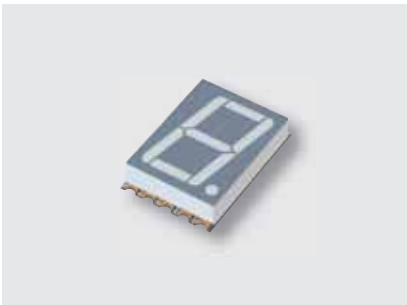
UNIT : mm



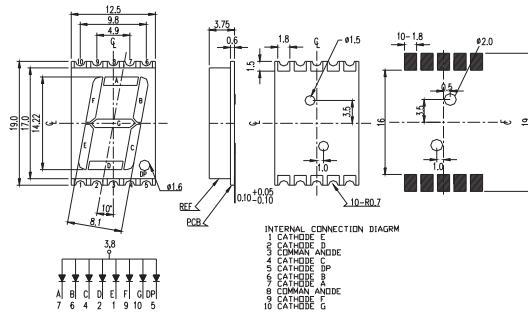
Product	Segment Height mm (inch)	Color	Segment Width	CC/CA	λ_d (nm)	Resin Color	Face Color	I_v (Min/Typ) (mcd)
EADSS056RA1	14.22 (0.5)	● Brilliant Red	8.1	CC	624	White	Gray	15 / 23
EADSS056GA1	14.22 (0.5)	● Brilliant Yellow Green	8.1	CC	573	White	Gray	4 / 10.8

LED Digital Displays

LED Digital Displays | SMD Display | Single Digit Display

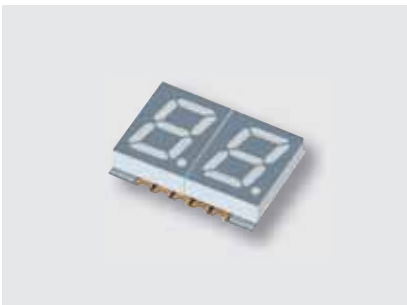


UNIT : mm

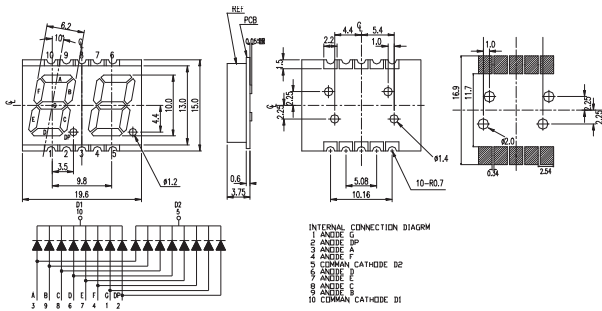


Product	Segment Height mm (inch)	Color	Segment Width	CC/CA	λ_d (nm)	Resin Color	Face Color	I_v (Min/Typ) (mcd)
EADSS056RA2	14.22 (0.5)	● Brilliant Red	8.1	CA	624	White	Gray	11 / 21.8
EADSS056BA2	14.22 (0.5)	● Blue	8.1	CA	470	White	Gray	15 / 28.6

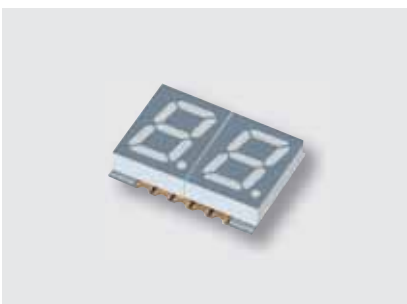
LED Digital Display | SMD Display | Dual Digit Display



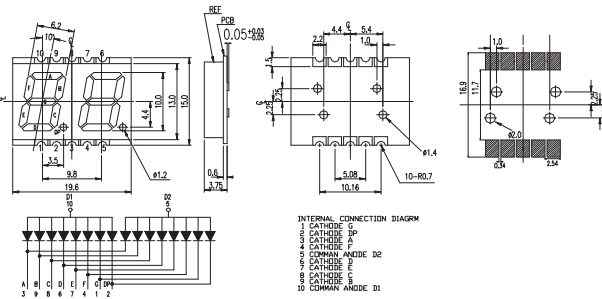
UNIT : mm



Product	Segment Height mm (inch)	Color	Segment Width	CC/CA	λ_d (nm)	Resin Color	Face Color	I_v (Min/Typ) (mcd)
EADSD040RA1	10 (0.4)	● Brilliant Red	6.2	CC	624	White	Gray	7.8 / 17.1

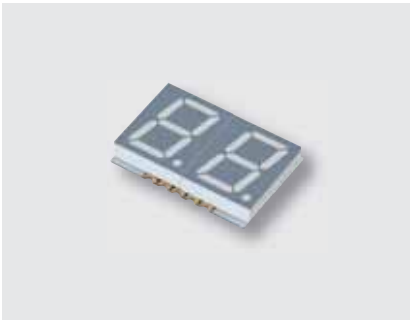


UNIT : mm

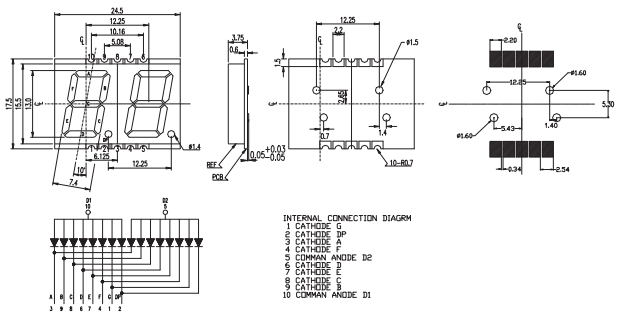


Product	Segment Height mm (inch)	Color	Segment Width	CC/CA	λ_d (nm)	Resin Color	Face Color	I_v (Min/Typ) (mcd)
EADSD040RA2	10 (0.4)	● Brilliant Red	6.2	CA	624	White	Gray	7.8 / 16.2
EADSD040GA2	10 (0.4)	● Brilliant Yellow Green	6.2	CA	573	White	Gray	5.6 / 10.2

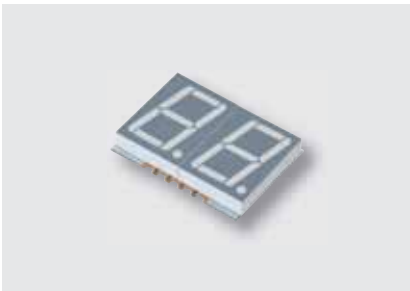
LED Digital Displays | SMD Display | Dual Digit Display



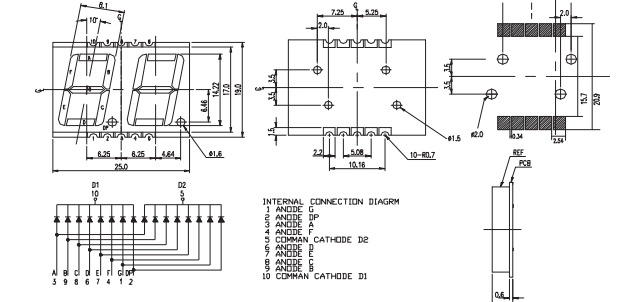
UNIT : mm



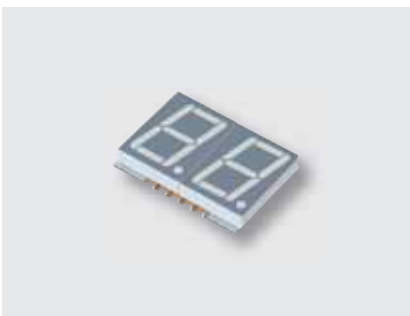
Product	Segment Height mm (inch)	Color	Segment Width	CC/CA	λ_d (nm)	Resin Color	Face Color	I_v (Min/Typ) (mcd)
EADSD050RA2	13 (0.5)	● Brilliant Red	7.4	CA	624	White	Gray	7.8 / 15



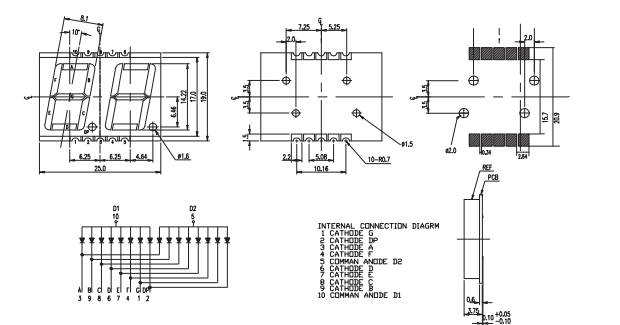
UNIT : mm



Product	Segment Height mm (inch)	Color	Segment Width	CC/CA	λ_d (nm)	Resin Color	Face Color	I_v (Min/Typ) (mcd)
EADSD056GA1	14.22 (0.5)	● Brilliant Yellow Green	8.1	CC	573	White	Gray	5.6 / 11.12



UNIT : mm

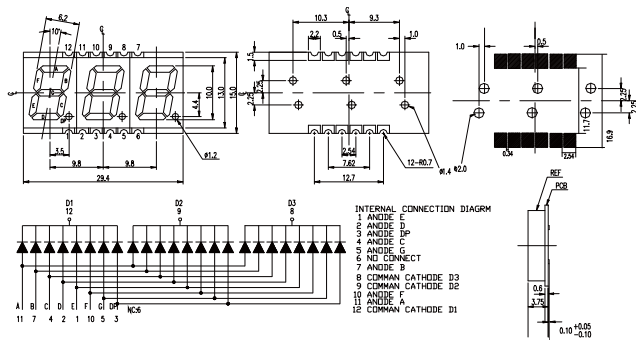


Product	Segment Height mm (inch)	Color	Segment Width	CC/CA	λ_d (nm)	Resin Color	Face Color	I_v (Min/Typ) (mcd)
EADSD056GA2	14.22 (0.5)	● Brilliant Yellow Green	8.1	CA	573	White	Gray	4 / 13.35

LED Digital Displays | SMD Display | Three Digit Display



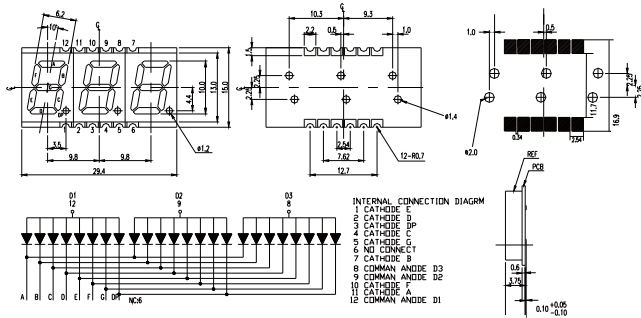
UNIT : mm



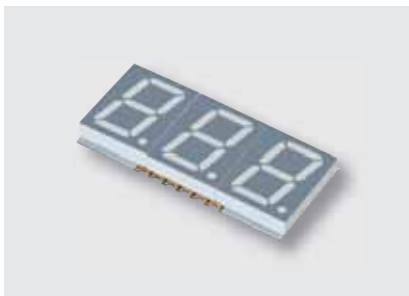
Product	Segment Height mm (inch)	Color	Segment Width	CC/CA	λ_d (nm)	Resin Color	Face Color	I_v (Min/Typ) (mcd)
EADST040RA1	10 (0.4)	● Brilliant Red	6.2	CC	624	White	Gray	7.8 / 16.4



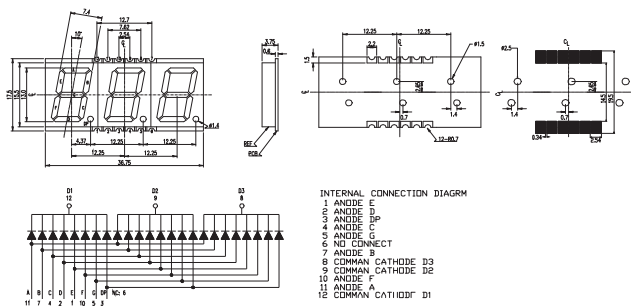
UNIT : mm



Product	Segment Height mm (inch)	Color	Segment Width	CC/CA	λ_d (nm)	Resin Color	Face Color	I_v (Min/Typ) (mcd)
EADST040RA2	10 (0.4)	● Brilliant Red	6.2	CA	624	White	Gray	7.8 / 16.4

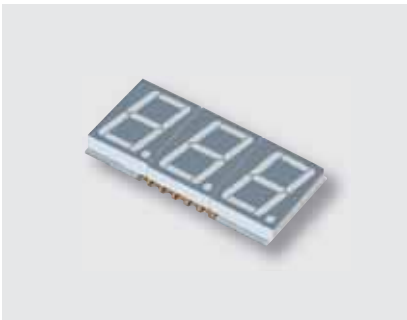


UNIT : mm

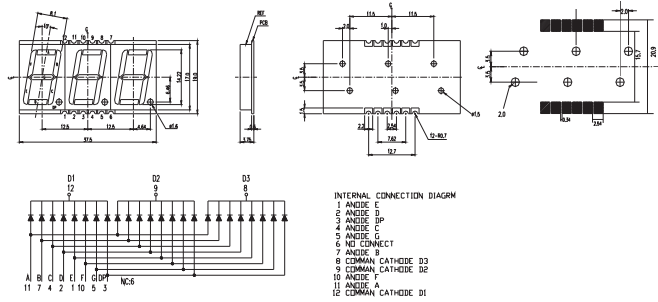


Product	Segment Height mm (inch)	Color	Segment Width	CC/CA	λ_d (nm)	Resin Color	Face Color	I_v (Min/Typ) (mcd)
EADST050GA1	13 (0.5)	● Brilliant Yellow Green	7.4	CC	573	White	Gray	4 / 9.6

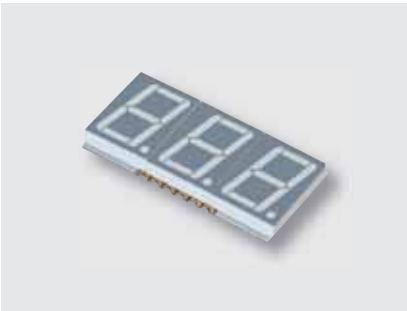
LED Digital Displays | SMD Display | Three Digit Display



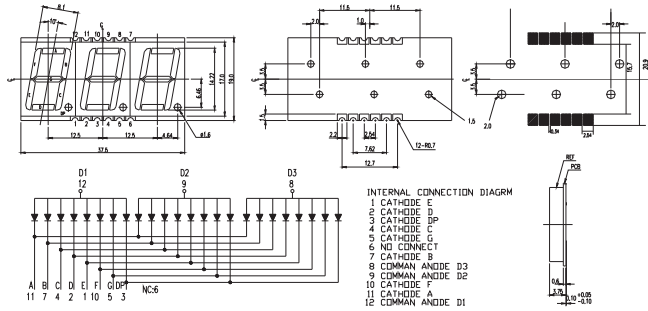
UNIT : mm



Product	Segment Height mm (inch)	Color	Segment Width	CC/CA	λ_d (nm)	Resin Color	Face Color	I_v (Min/Typ) (mcd)
EADST056GA1	14.22 (0.5)	● Brilliant Yellow Green	8.1	CC	573	White	Gray	4 / 9.6



UNIT : mm

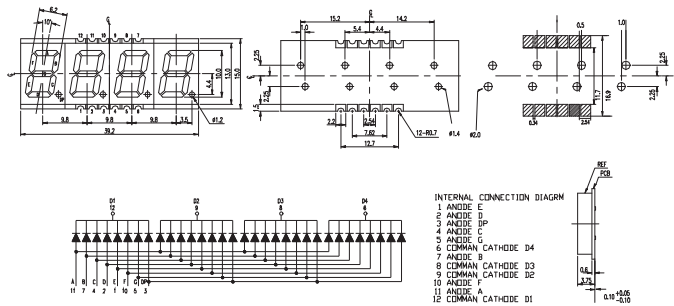


EADST056RA2	14.22 (0.5)	● Brilliant Red	8.1	CA	624	White	Gray	7.8 / 21.6
EADST056GA2	14.22 (0.5)	● Brilliant Yellow Green	8.1	CA	573	White	Gray	7.8 / 16.4

LED Digital Displays | SMD Display | Four Digit Display



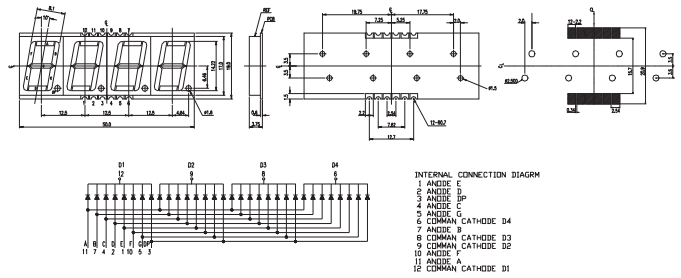
UNIT : mm



Product	Segment Height mm (inch)	Color	Segment Width	CC/CA	λ_d (nm)	Resin Color	Face Color	I_v (Min/Typ) (mcd)
EADSF040RA1	10 (0.4)	● Brilliant Red	6.2	CC	624	White	Gray	7.8 / 16.4



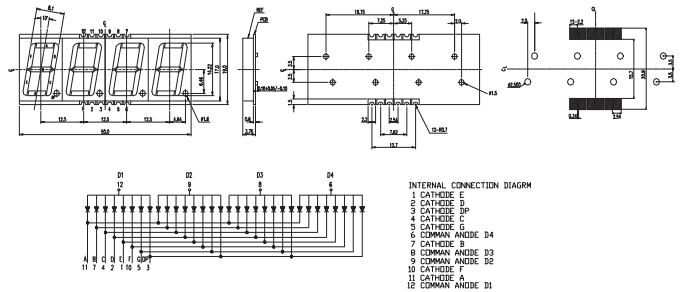
UNIT : mm



Product	Segment Height mm (inch)	Color	Segment Width	CC/CA	λ_d (nm)	Resin Color	Face Color	I_v (Min/Typ) (mcd)
EADSF056RA1	14.22 (0.5)	● Brilliant Red	8.1	CC	624	White	Gray	11 / 23.4



UNIT : mm

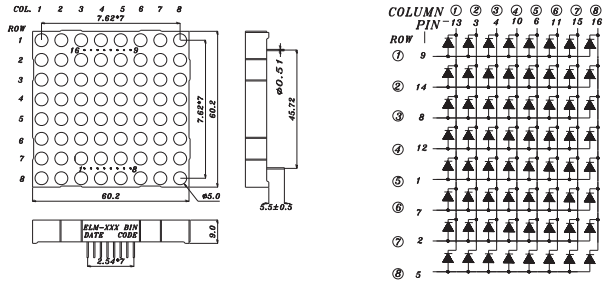


Product	Segment Height mm (inch)	Color	Segment Width	CC/CA	λ_d (nm)	Resin Color	Face Color	I_v (Min/Typ) (mcd)
EADSF056RA2	14.22 (0.5)	● Brilliant Red	8.1	CA	624	White	Gray	11 / 27.8
EADSF040GA1	14.22 (0.5)	● Brilliant Yellow Green	8.1	CA	573	White	Gray	4 / 10.8

LED Digital Displays | Dot Matrix Display



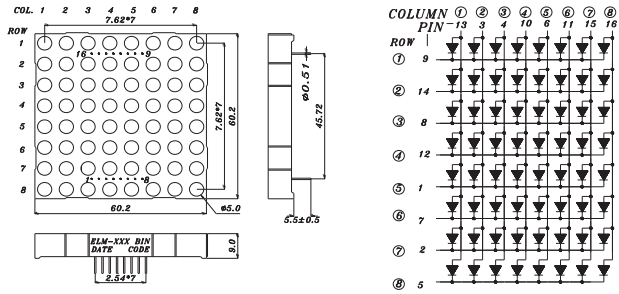
UNIT : mm



Product	Size (LxWmm)	Color	Segment Width	CC/CA	λ_d (nm)	Resin Color	Face Color	I_v (Min/Typ) (mcd)
EADDM288RA1	60.2x60.2	● Brilliant Red	--	CC	624	White	Gray	7.8 / 21
EADDM288GA1	60.2x60.2	● Brilliant Yellow Green	--	CC	573	White	Gray	7.8 / 17.6
EADDM288YA1	60.2x60.2	● Brilliant Yellow	--	CC	589	White	Gray	11 / 17.6

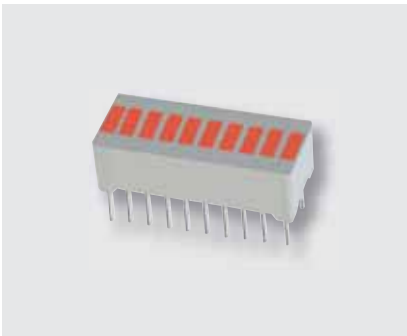


UNIT : mm

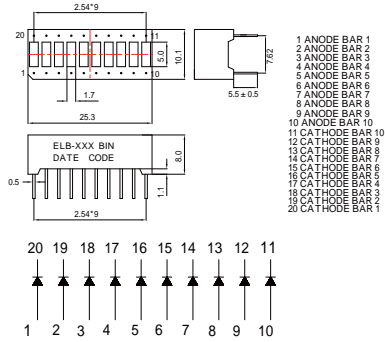


Product	Size (LxWmm)	Color	Segment Width	CC/CA	λ_d (nm)	Resin Color	Face Color	I_v (Min/Typ) (mcd)
EADDM288GA2	60.2x60.2	● Brilliant Yellow Green	--	CA	573	White	Gray	7.8 / 17.6

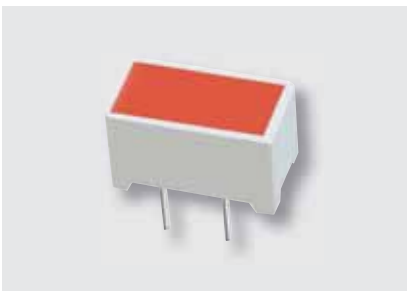
LED Digital Displays | Light Bar Display



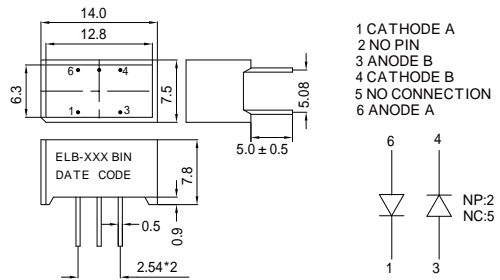
UNIT : mm



Product	Size (LxWmm)	Color	Segment Width	CC/CA	λ_d (nm)	Resin Color	Face Color	I_v (Min/Typ) (mcd)
EADLBA10RA1	25.3x10.1	● Deep Red	--	CC	639	White	Black	4 / 8.9
EADLBA10RA3	25.3x10.1	● Brilliant Red	--	CC	624	White	Black	5.6 / 12.5
EADLBA10OA1	25.3x10.1	● Reddish Orange	--	CC	615	White	Gray	7.8 / 17.6
EADLBA10GA1	25.3x10.1	● Brilliant Yellow Green	--	CC	573	White	Gray	2.8 / 4.5

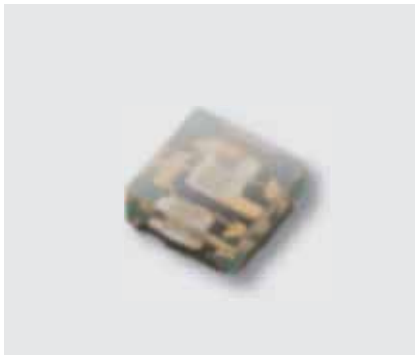


UNIT : mm

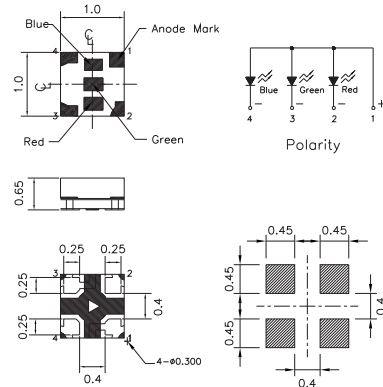


Product	Size (LxWmm)	Color	Segment Width	CC/CA	λ_d (nm)	Resin Color	Face Color	I_v (Min/Typ) (mcd)
EADLB101RA2	14x7.5	● Brilliant Red	--	CA	624	Red	Red	11 / 24
EADLB101GA2	14x7.5	● Brilliant Yellow Green	--	CA	573	Red	Red	2.8 / 6.4

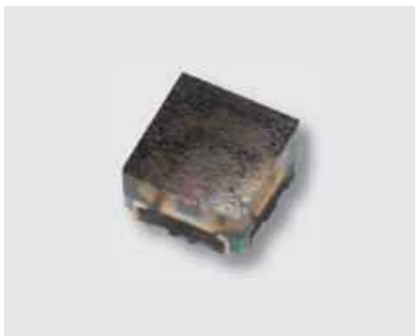
Signage LED | Surface Mount Chip LED (PCB)



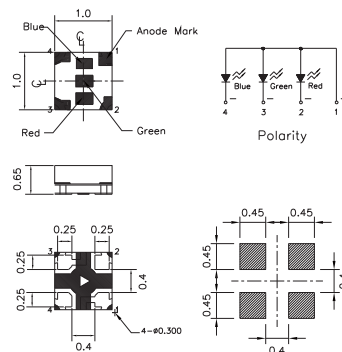
UNIT : mm



Product	Size (LxWxHmm)	Color	λ_d (nm)	Typ. I_v (mcd)	V_F (V)		I_F (mA)	Viewing Angle (°)
					Typ.	Max.		
EAST1010RGB1	1x1x0.5 (4-pin)	● Red	618~630	54	2.0	2.4	10	120
		● Green	513~531	173	3.3	3.7		
		● Blue	462~477	29	3.3	3.7		



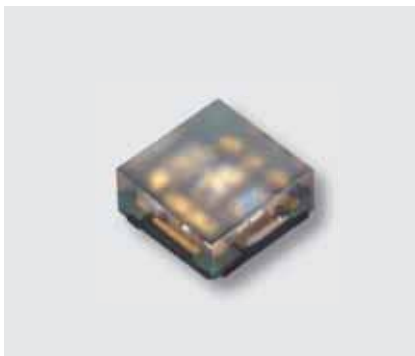
UNIT : mm



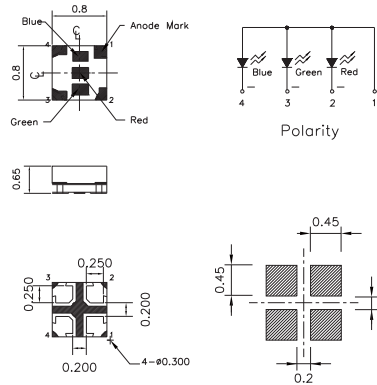
Product	Size (LxWxHmm)	Color	λ_d (nm)	Typ. I_v (mcd)	V_F (V)		I_F (mA)	Viewing Angle (°)
					Typ.	Max.		
EAST1010RGB0	1x1x0.65 (4-pin)	● Red	616~631	39	2.0	2.4	10	120
		● Green	515~533	107	3.3	3.7		
		● Blue	462~477	19.2	3.3	3.7		

Signage LED

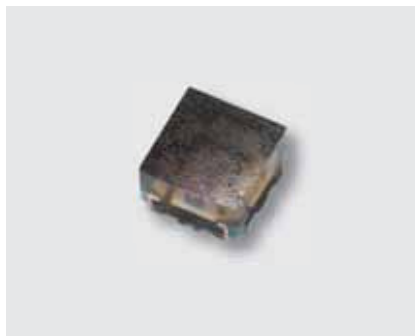
Signage LED | Surface Mount Chip LED (PCB)



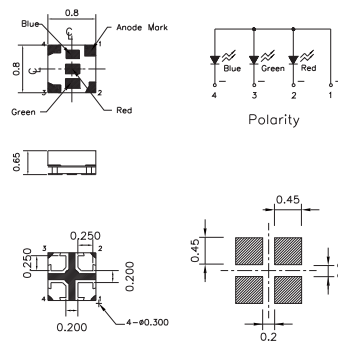
UNIT : mm



Product	Size (LxWxHmm)	Color	λ_d (nm)	Typ. I_v (mcd)	V_F (V)		I_F (mA)	Viewing Angle (°)
					Typ.	Max.		
EAST0808RGBAO	0.8x0.8x0.65 (4-pin)	● Red	617-629	80	2.0	2.4	10	120
		● Green	512-533	194	3.3	3.7		
		● Blue	459-477	48	3.3	3.7		



UNIT : mm

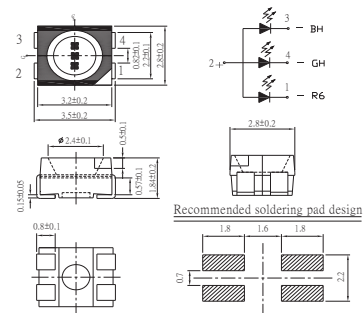


Product	Size (LxWxHmm)	Color	λ_d (nm)	Typ. I_v (mcd)	V_F (V)		I_F (mA)	Viewing Angle (°)
					Typ.	Max.		
EAST0808RGB A1	0.8x0.8x0.65 (4-pin)	● Red	617-632	36	2.0	2.4	10	120
		● Green	512-533	60	3.3	3.7		
		● Blue	458-476	16.8	3.3	3.7		

Signage LED | Surface Mount PLCC LED (Reflector)



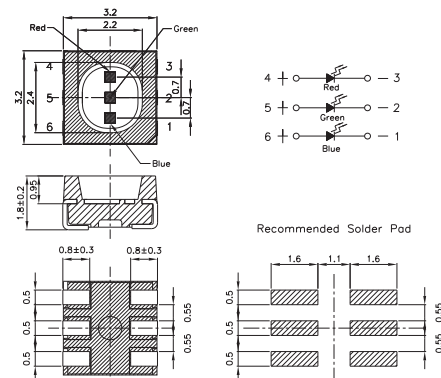
UNIT : mm



Product	Size (LxWxHmm)	Color	λ_d (nm)	Typ. I_v (mcd)	V_F (V)		I_F (mA)	Viewing Angle (°)
					Typ.	Max.		
EAPL3528RGBA0	3.5x2.8x1.8	Red	620.5~627.5	220	2.0	2.5	20	120
		Green	517~532	1000	3.2	3.7		
		Blue	464.5~474.5	220	3.2	3.7		



UNIT : mm



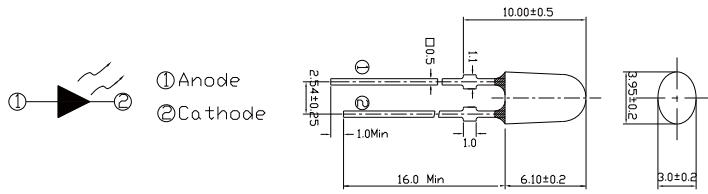
Product	Size (LxWxHmm)	Color	λ_d (nm)	Typ. I_v (mcd)	V_F (V)		I_F (mA)	Viewing Angle (°)
					Typ.	Max.		
EAPL3232RGBA0	3.2x3.2x1.8	Red	620~629	625	2.0	2.5	20	120
		Green	520~530	1530	3.2	3.7		
		Blue	463.5~473.5	337	3.2	3.7		

Signage LED

Signage LED | Lamp Type LED | 3mm Oval Type



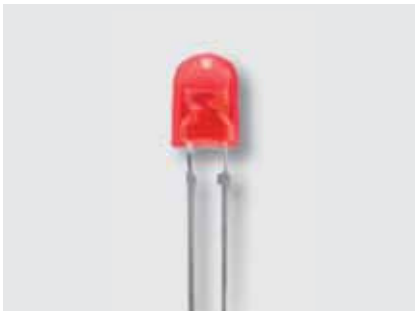
UNIT : mm



Product	Size (LxWxHmm)	Color	Lens Type	λ_d (nm)	Typ. I_v (mcd)	V_F (V)		I_F (mA)	Viewing Angle (°)
						Typ.	Max.		
EALP03OLARA0	3.2X4.1X6.3	Red	Oval	620-629	1400	2.0	2.6	20	110 / 60
EALP03OLABA0	3.2X4.1X6.3	Blue	Oval	465-475	1085	3.2	3.6	20	110 / 60
EALP03OLAGA0	3.2X4.1X6.3	Green	Oval	525-535	3925	3.2	3.6	20	110 / 60
EALP03OLARA1	3.2X4.1X6.3	Red	Oval	619-628	1630	2.2	2.6	20	110 / 60
EALP03OLAYA0	3.2X4.1X6.3	Yellow	Oval	586-594	1630	2.2	2.6	20	110 / 60

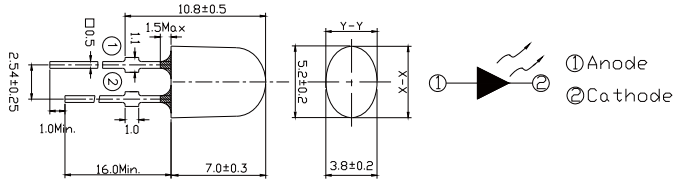
• Product Availability : Please visit EVERLIGHT AMERICAS website for updated information (www.everlightamericas.com) or contact EVERLIGHT AMERICAS sales for regional options.

Signage LED | Lamp Type LED | 5mm Oval Type



UNIT : mm

(With Stopper)

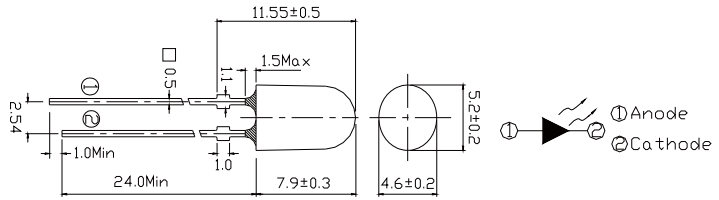


Product	Size (LxWxHmm)	Color	Lens Type	λ_d (nm)	Typ. I_v (mcd)	V_F (V)		I_F (mA)	Viewing Angle (°)
						Typ.	Max.		
EALP05OLARA0	5.2x3.8x7	● Red	Oval	619~628	1220	2.2	2.4	20	110 / 40
EALP05OLABA0	5.2x3.8x7	● Blue	Oval	465~475	1030	3.2	3.6	20	110 / 40
EALP05OLAGA0	5.2x3.8x7	● Green	Oval	525~535	3925	3.2	3.6	20	110 / 40
EALP05OLAGA1	5.2x3.8x7	● Green	Oval	525~535	3925	3.2	3.6	20	110 / 40
EALP05OLARA1	5.2x3.8x7	● Red	Oval	619~628	1630	2.2	2.4	20	110 / 40



UNIT : mm

(With Stopper)



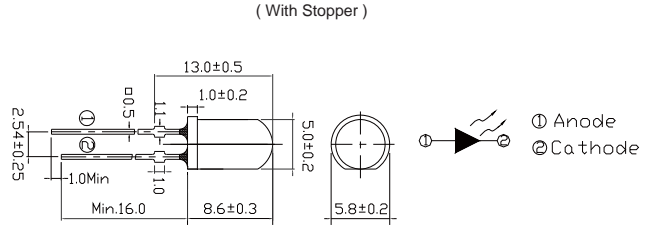
Product	Size (LxWxHmm)	Color	Lens Type	λ_d (nm)	Typ. I_v (mcd)	V_F (V)		I_F (mA)	Viewing Angle (°)
						Typ.	Max.		
EALP05OLBGA0	5.2x4.6x7.9	● Green	Oval	525~535	3000	3.2	3.6	20	70 / 40
EALP05OLBGA1	5.2x4.6x7.9	● Green	Oval	525~535	4140	3.2	3.6	20	70 / 40
EALP05OLBBA0	5.2x4.6x7.9	● Blue	Oval	465~475	1000	3.2	3.6	20	70 / 40
EALP05OLCRA0	5.2x4.6x7.9	● Red	Oval	619~628	2240	2.0	2.6	20	65 / 40
EALP05OLCYA0	5.2x4.6x7.9	● Yellow	Oval	586~594	2000	2.0	2.6	20	65 / 40

Signage LED

Signage LED | Lamp Type LED | 5mm Round Type



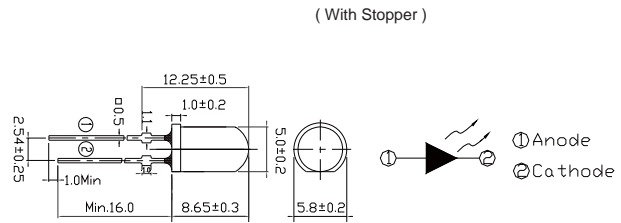
UNIT : mm



Product	Size (LxWxHmm)	Color	Lens Type	λ_d (nm)	Typ. I_v (mcd)	V_F (V)		I_F (mA)	Viewing Angle (°)
						Typ.	Max.		
EALP05RDDYA0	5x5x8.6	Yellow	Clear	586-594	11250	2.0	2.6	20	15
EALP05RDDBA0	5x5x8.6	Blue	Clear	465-475	7150	3.2	3.6	20	15



UNIT : mm

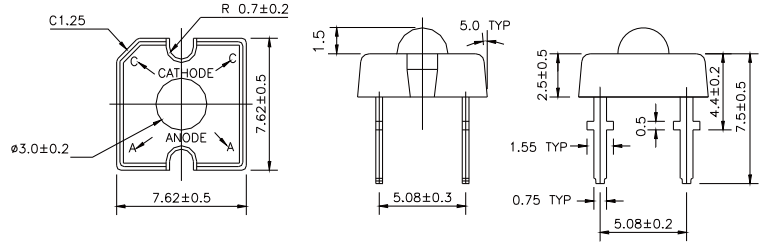


Product	Size (LxWxHmm)	Color	Lens Type	λ_d (nm)	Typ. I_v (mcd)	V_F (V)		I_F (mA)	Viewing Angle (°)
						Typ.	Max.		
EALP05RDLRA0	5x5x8.7	Red	Clear	619-628	7150	2.0	2.6	20	30
EALP05RDLYA0	5x5x8.7	Yellow	Clear	586-594	4500	2.0	2.6	20	30
EALP05RDLYA1	5x5x8.7	Yellow	Clear	586-594	7150	2.0	2.6	20	30
EALP05RDLGA0	5x5x8.7	Green	Clear	525-535	9000	3.2	3.6	20	30
EALP05RDLGA1	5x5x8.7	Green	Clear	505	6300	3.2	3.6	20	30
EALP05RDLBA0	5x5x8.7	Blue	Clear	465-475	3600	3.2	3.6	20	30
EALP05RDJRA4	5x5x8.7	Red	Clear	619-628	4500	2.0	2.6	20	25
EALP05RDJYA3	5x5x8.7	Yellow	Clear	586-594	4500	2.0	2.6	20	25
EALP05RDKGA2	5x5x8.7	Green	Clear	505	9000	3.2	3.6	20	23

Automotive LED | Super Flux LED | 3 mm

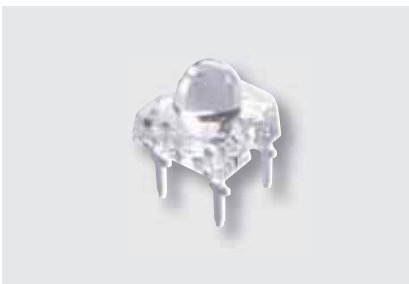


UNIT : mm

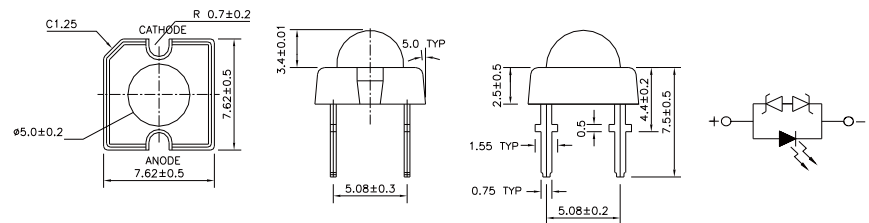


Product	Size (LxWxHmm)	Color	I_v (mlm)	Wavelength (nm)	V_F (V)	I_F (mA)	Viewing Angle (°)
EALP03SXARA0-AM	7.62x7.62x9	Red	7150~14250	620~632	1.9~2.9	70	85
EALP03SXAYA0-AM	7.62x7.62x9	Yellow	7150~14250	587~596	1.9~2.9	70	85
EALP03SXAOA0-AM	7.62x7.62x9	Orange	7150~14250	611~620	1.9~2.9	70	80
EALP03SXABA0	7.62x7.62x9	Blue	1125~2850	464~476	2.8~3.8	30	80
EALP03SXAGA0	7.62x7.62x9	Green	4500~9000	520~532	3.0~4.0	30	80
EALP03SXDOA1-AM	7.62x7.62x9	Orange	7150~14250	611~620	1.9~2.9	70	50
EALP03SXDAW0	7.62x7.62x9	White	2850~5650	$x=0.30, y=0.29$	2.8~3.8	30	45
EALP03SXBRA0-AM	7.62x7.62x9	Red	7150~14250	620~628	1.9~2.9	70	110
EALP03SXBYA0-AM	7.62x7.62x9	Yellow	7150~14250	590~598	1.9~2.9	70	105
EALP03SXCOA0-AM	7.62x7.62x9	Orange	5650~11250	610~620	1.9~2.9	70	40
EALP03SXCRA0-AM	7.62x7.62x9	Red	7150~14250	620~632	1.9~2.9	70	40
EALP03SXCYA0-AM	7.62x7.62x9	Yellow	7150~14250	586~594	1.9~2.9	70	35
EALP03SXDYA0-AM							

Automotive LED | Super Flux LED | 5 mm



UNIT : mm

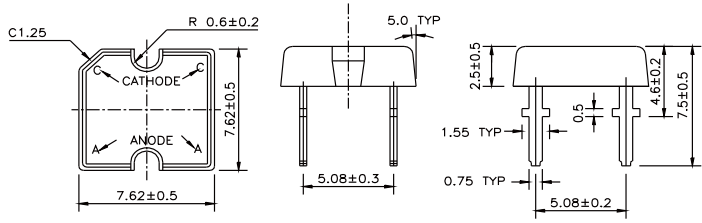


Product	Size (LxWxHmm)	Color	I_v (mlm)	Wavelength (nm)	V_F (V)	I_F (mA)	Viewing Angle (°)
EALP05SXAWA0	7.62x7.62x9	White	2850~5650	$x=0.30, y=0.29$	3.0~4.0	30	25
EALP05SXABA0	7.62x7.62x9	Blue	1125~2850	464~476	2.8~3.8	30	25
EALP05SXAYA0	7.62x7.62x9	Yellow	4500~9000	586~598	2.5~3.3	70	25
EALP05SXAYA1	7.62x7.62x9	Yellow	4500~9000	586~598	2.1~3.1	70	25

Automotive LED | Super Flux LED | Flat



UNIT : mm

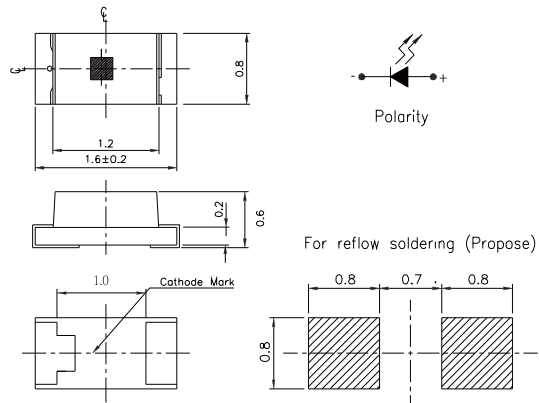


Product	Size (LxWxHmm)	Color	I _v (mIm)	Wavelength (nm)	V _F (V)	I _F (mA)	Viewing Angle (°)
EALP00SXBYA0-AM	7.62x7.62x7.5	● Yellow	5650~11250	589~598	1.9~2.9	70	130
EALP00SXABA0 (Non Automotive)	7.62x7.62x7.5	● Blue	900~2250	464~476	2.8~3.8	30	130
EALP00SXAWA0 (Non Automotive)	7.62x7.62x7.5	○ White	2850~5650	x=0.30, y=0.29	2.8~3.8	30	130

Automotive LED | Surface Mount Chip LED (PCB) | Top View 0603



UNIT : mm

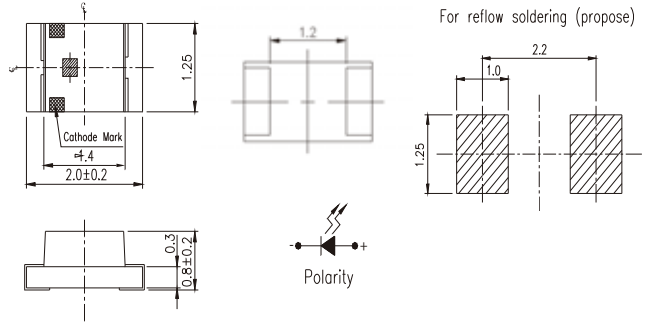


Product	Size (LxWxHmm)	Color	λ _d (nm)/ CIE(x,y)	I _v Min. (mcd)	I _v Max. (mcd)	V _F Min. (V)	V _F Max. (V)	I _F (mA)	Viewing Angle (°)
EAST16086RA8-AM	1.6x0.8x0.6	● Dark Red	625.5~637.5	112	280	1.75	2.35	10	130
EAST16086OA2-AM	1.6x0.8x0.6	● Beddish Orange	613.5~621.5	180	355	1.75	2.35	20	120
EAST16086YA7-AM	1.6x0.8x0.6	● Brilliant Yellow	589~595	180	355	1.75	2.35	20	120
EAST16086GA9-AM	1.6x0.8x0.6	● Pale Green	557~564	14	35.5	1.7	2.3	20	120

Automotive LED | Surface Mount Chip LED (PCB) | Top View 0805



UNIT : mm

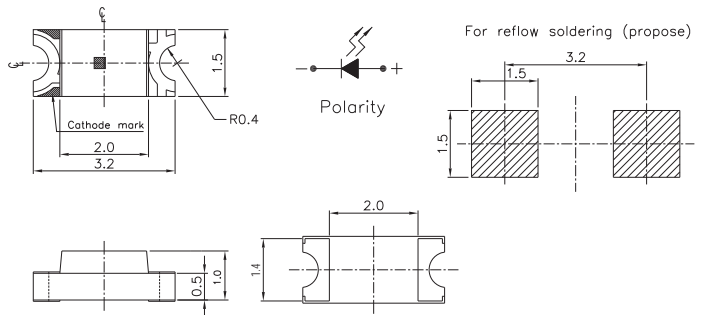


Product	Size (LxWxHmm)	Color	λ_d (nm)/CIE(x,y)	I_v Min. (mcd)	I_v Max. (mcd)	V_F Min. (V)	V_F Max. (V)	I_F (mA)	Viewing Angle (°)
EAST20128RA0-AM	2x1.25x0.8	● Brilliant Red	617.5~633.5	112	280	1.75	2.35	20	130
EAST20128AA0-AM	2x1.25x0.8	● Brilliant Orange	603.5~609.5	90	180	1.75	2.35	20	130
EAST20128YA0-AM	2x1.25x0.8	● Brilliant Yellow	584~596	90	224	1.75	2.35	20	130
EAST20128GA0-AM	2x1.25x0.8	● Pale Green	557~564	11.2	28	1.7	2.3	20	130
EAST2012RA3-AM	2x1.25x0.8	● Deep Red	625.5~637.5	36	90	1.75	2.35	20	130

Automotive LED | Surface Mount Chip LED (PCB) | Top View 1206



UNIT : mm

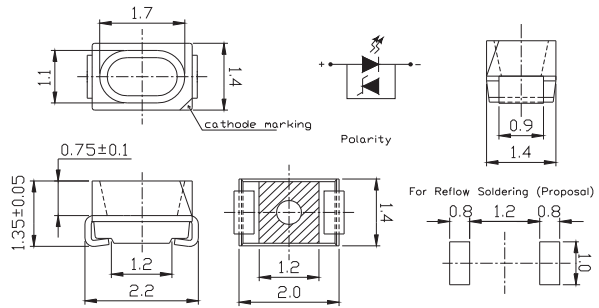


Product	Size (LxWxHmm)	Color	λ_d (nm)/CIE(x,y)	I_v Min. (mcd)	I_v Max. (mcd)	V_F Min. (V)	V_F Max. (V)	I_F (mA)	Viewing Angle (°)
EAST3215RA3-AM	3.2x1.5x1	● Brilliant Red	617.5~629.5	71	180	1.75	2.35	20	130
EAST3215YA4-AM	3.2x1.5x1	● Brilliant Yellow	585.5~594.5	45	112	1.75	2.35	20	130
EAST3215GA5-AM	3.2x1.5x1	● Brilliant Yellow	585.5~594.5	180	355	1.75	2.35	20	130
EAST3215RA4-AM	3.2x1.5x1	● Pale Green	557~564	14	28	1.75	2.35	15	130
EAST3215YA3-AM	3.2x1.5x1	● Brilliant Green	625.5~637.5	56	140	1.75	2.35	20	130

Automotive LED | Surface Mount PLCC LED (Reflector) | Top View PLCC2



UNIT : mm

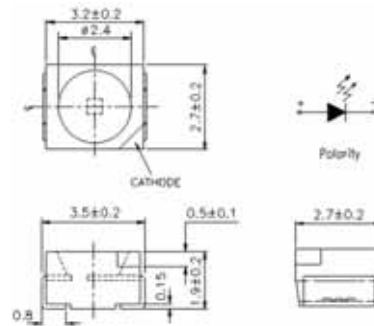


Product	Size (LxWxHmm)	Color	λ_d (nm)/CIE(x,y)	I_V Min. (mcd)	I_V Max. (mcd)	V_F Min. (V)	V_F Max. (V)	I_F (mA)	Viewing Angle (°)
EAPL2214RA1-AM	2.2x1.4x1.35	● Dark Red	633	90	224	1.75	2.35	20	120
EAPL2214GA0-AM	2.2x1.4x1.35	● Brilliant Green	527	710	1400	2.7	3.7	30	120
EAPL2214GA1-AM	2.2x1.4x1.35	● Brilliant Yellow	569.5-575.5	56	140	1.7	2.4	20	120
EAPL2214RA0-AM	2.2x1.4x1.35	● Brilliant Red	627-639	71	140	1.75	2.35	30	120

Automotive LED | Surface Mount PLCC LED (Reflector) | Top View PLCC2



UNIT : mm

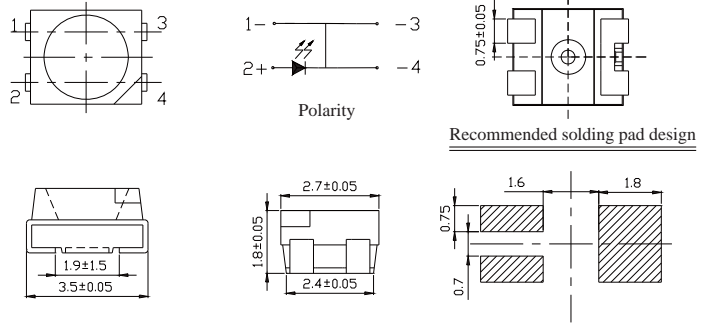


Product	Size (LxWxHmm)	Color	λ_d (nm)/CIE(x,y)	I_V Min. (mcd)	I_V Max. (mcd)	V_F Min. (V)	V_F Max. (V)	I_F (mA)	Viewing Angle (°)
EAPL3527RA1-AM	3.1x2.7x1.9	● Super Red	633	90	224	1.75	2.35	20	120
EAPL3527GA0-AM	3.1x2.7x1.9	● Brilliant Green	527	710	1400	2.7	3.7	30	120
EAPL3527BA0-AM	3.1x2.7x1.9	● Blue	470	140	280	2.7	3.8	30	120
EAPL3527YA0-AM	3.1x2.7x1.9	● Brilliant Yellow	587	140	224	1.75	2.35	20	120
EAPL3527RA0-AM	3.1x2.7x1.9	● Dark Red	638	112	224	1.75	2.35	30	120
EAPL3527BA2-AM	3.1x2.7x1.9	○ Ice Blue	x=0.2, y=0.23	180	450	2.7	3.8	10	120

Automotive LED | Surface Mount PLCC LED (Reflector) | Top View PLCC3



UNIT : mm

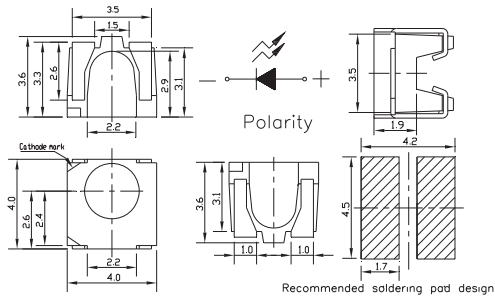


Product	Size (LxWxHmm)	Color	λ_d (nm)/CIE(x,y)	I_v Min. (mcd)	I_v Max. (mcd)	V_F Min. (V)	V_F Max. (V)	I_F (mA)	Viewing Angle (°)
EAPL3527RA2-AM	3.5x2.7x1.8	● Deep Red	632	900	1800	1.7	2.6	70	120
EAPL3527GA1-AM	3.5x2.7x1.8	● Pale Green	564	56	140	1.7	2.4	50	120
EAPL3527BA3-AM	3.5x2.7x1.8	● Blue	469	355	900	2.75	3.95	30	120
EAPL3527YA1-AM	3.5x2.7x1.8	● Brilliant Yellow	589	1400	2800	1.7	2.6	70	120

Automotive LED | Surface Mount PLCC LED (Reflector) | Side View PLCC2




UNIT : mm



Product	Size (LxWxHmm)	Color	λ_d (nm)/CIE(x,y)	I_v Min. (mcd)	I_v Max. (mcd)	V_F Min. (V)	V_F Max. (V)	I_F (mA)	Viewing Angle (°)
EAPL4040RA0-AM	4x4x3.6	● Dark Red	633	715	1800	1.8	2.4	30	120
EAPL4040GA0-AM	4x4x3.6	● Brilliant Green	526	560	900	2.7	3.8	20	120
EAPL4040YA0-AM	4x4x3.6	● Brilliant Yellow	590	180	355	1.75	2.35	20	120





INFRARED LED, SENSORS, COUPLERS

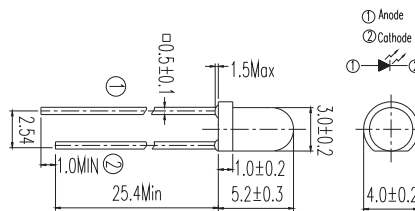
- 138** INFRARED LED AND SILICON DETECTOR
- 163** INFRARED RECEIVER MODULE
- 175** OPTIC-FIBER DEVICE (PHOTO LINK)
- 184** OPTICAL SENSOR
- 201** PHOTO COUPLER

Infrared LED and Silicon Detector | Emitter | Lamp 3mm

Infrared LED and Silicon Detector



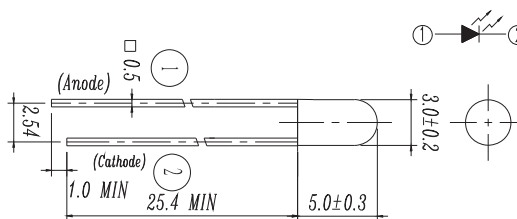
UNIT : mm



Product	Size (mm)	λ_P (nm)	V_F Typ (V)	V_F Max (V)	I_{e_Min} (mW/sr)	I_{e_Typ} (mW/sr)	Viewing Angle (°)
EAILP03RDAA0	3	850	1.45	1.65	7.8	17.6	25
EAILP03RDAA1	3	850	1.45	1.65	4	8.9	40
EAILP03RDAA2	3	850	1.45	1.65	7.8	17.6	25
EAILP03RDAA3	3	850	1.45	1.65	11	20	40
EAILP03RDAA6	3	940	1.2	1.5	4	5.6	35
EAILP03RDAA4	3	940	1.2	1.5	2.8	4	50
EAILP03RDAA5	3	940	1.2	1.5	4	7	50
EAILP03RDAA8	3	940	1.2	1.5	4	5.6	35
EAILP03RDAA7	3	940	1.2	1.5	2.8	4	50
EAILP03RDAA9	3	875	1.3	1.65	4	6.4	30
EAILP03RDAB0	3	875	1.3	1.65	4	6.4	30



UNIT : mm

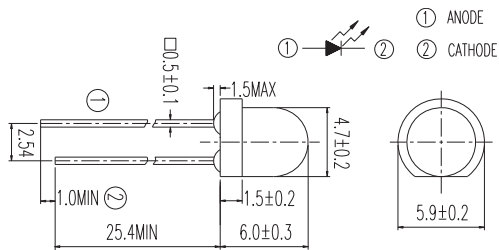


Product	Size (mm)	λ_P (nm)	V_F Typ (V)	V_F Max (V)	I_{e_Min} (mW/sr)	I_{e_Typ} (mW/sr)	Viewing Angle (°)
EAILP03RDKA1	3	875	1.3	1.65	5.6	9	30
EAILP03RDKA0	3	850	1.45	1.65	7.8	15	30

Infrared LED and Silicon Detector | Emitter | Lamp 5mm



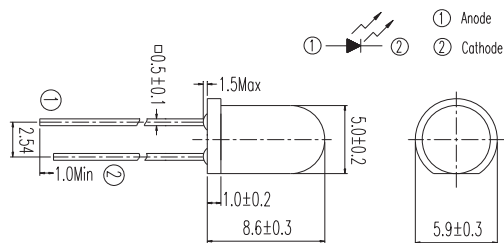
UNIT : mm



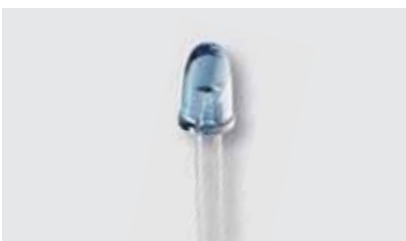
Product	Size (mm)	λ_P (nm)	V_F Typ (V)	V_F Max (V)	I_{e_Min} (mW/sr)	I_{e_Typ} (mW/sr)	Viewing Angle (°)
EAILP05RDBA0	5	850	1.45	1.65	15	30	25
EAILP05RDBA1	5	850	1.45	1.65	7.8	11	30
EAILP05RDBA4	5	940	1.2	1.5	4	6.4	30
EAILP05RDBA2	5	940	1.2	1.5	2	3.5	60
EAILP05RDBA3	5	875	1.3	1.65	4	7.8	35



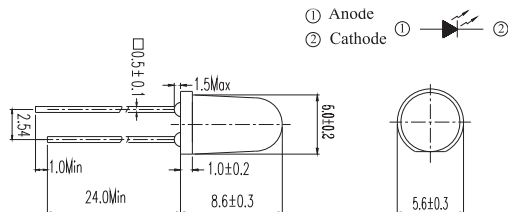
UNIT : mm



Product	Size (mm)	λ_P (nm)	V_F Typ (V)	V_F Max (V)	I_{e_Min} (mW/sr)	I_{e_Typ} (mW/sr)	Viewing Angle (°)
EAILP05RDDA0	5	850	1.45	1.65	7.8	15	30
EAILP05RDDA3	5	850	1.45	1.65	7.8	15	30
EAILP05RDDA5	5	940	1.2	1.5	7.8	20	20
EAILP05RDDA2	5	940	1.2	1.5	5.6	7.8	40
EAILP05Rddb5	5	940	1.2	1.5	11	12	40
EAILP05RDDA6	5	940	1.2	1.5	7.8	15	20
EAILP05RDDA7	5	940	1.2	1.5	7.8	10	40
EAILP05RDDA9	5	940	1.2	1.5	7.8	15	30
EAILP05Rddb3	5	875	1.3	1.6	7.8	20	20
EAILP05RDDA4	5	940	1.2	1.5	5.6	7.8	40
EAILP05RDDA8	5	940	1.2	1.5	7.8	10	40
EAILP05Rddb1	5	940	1.2	1.5	7.8	15	30
EAILP05Rddb2	5	940	1.2	1.5	7.8	20	20
EAILP05Rddb4	5	875	1.3	1.65	7.8	20	20



UNIT : mm



Product	Size (mm)	λ_P (nm)	V_F Typ (V)	V_F Max (V)	I_{e_Min} (mW/sr)	I_{e_Typ} (mW/sr)	Viewing Angle (°)
EAILP05RDGA1	5	940	1.2	1.5	15	20	20
EAILP05RDGA2	5	875	1.3	1.6	11	20	20
EAILP05RDGA0	5	850	1.45	1.65	--	140	18

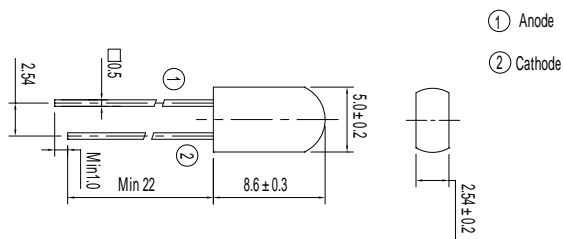
Infrared LED and Silicon Detector

Infrared LED and Silicon Detector | Emitter | Lamp 5mm

Infrared LED and Silicon Detector



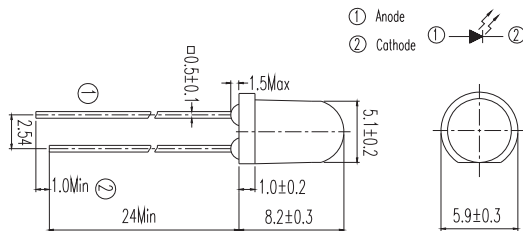
UNIT : mm



Product	Size (mm)	λ_P (nm)	V_F Typ (V)	V_F Max (V)	I_{e_Min} (mW/sr)	I_{e_Typ} (mW/sr)	Viewing Angle (°)
EAILP05RDIA0	5	940	1.2	1.5	4	7.8	25



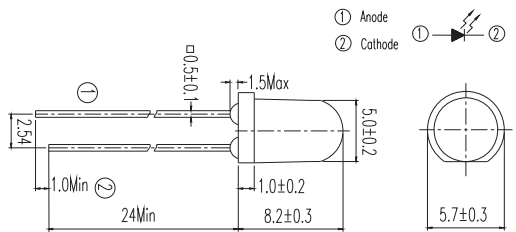
UNIT : mm



Product	Size (mm)	λ_P (nm)	V_F Typ (V)	V_F Max (V)	I_{e_Min} (mW/sr)	I_{e_Typ} (mW/sr)	Viewing Angle (°)
EAILP05RDLA1	5	850	1.45	1.6	21	40	25
EAILP05RDLA0	5	850	1.45	1.65	7.8	15	40
EAILP05RDLA2	5	940	1.2	1.5	5.6	8	50



UNIT : mm



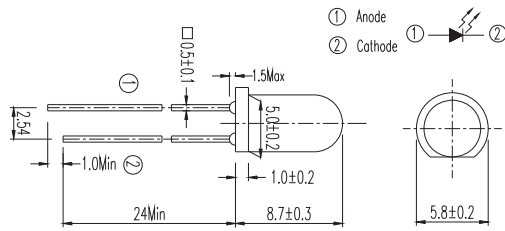
Product	Size (mm)	λ_P (nm)	V_F Typ (V)	V_F Max (V)	I_{e_Min} (mW/sr)	I_{e_Typ} (mW/sr)	Viewing Angle (°)
EAILP05RDMA1	5	850	1.45	1.6	7.8	20	50
EAILP05RDMA0	5	850	1.45	1.65	7.8	15	50
EAILP05RDMA2	5	940	1.2	1.5	4	6.5	55



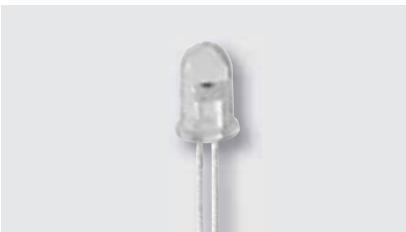
Infrared LED and Silicon Detector | Emitter | Lamp 5mm



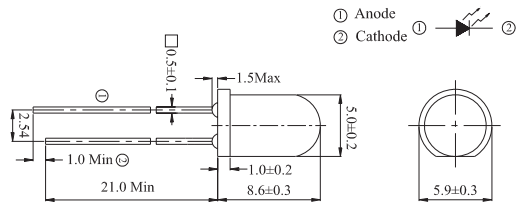
UNIT : mm



Product	Size (mm)	λ_P (nm)	V_F Typ (V)	V_F Max (V)	I_{e_Min} (mW/sr)	I_{e_Typ} (mW/sr)	Viewing Angle (°)
EAILP05RDNA0	5	850	1.45	1.65	20	30	30



UNIT : mm



Product	Size (mm)	λ_P (nm)	V_F Typ (V)	V_F Max (V)	I_{e_Min} (mW/sr)	I_{e_Typ} (mW/sr)	Viewing Angle (°)
EAILP05RDOA0	5	940	1.2	1.5	7.8	11	35

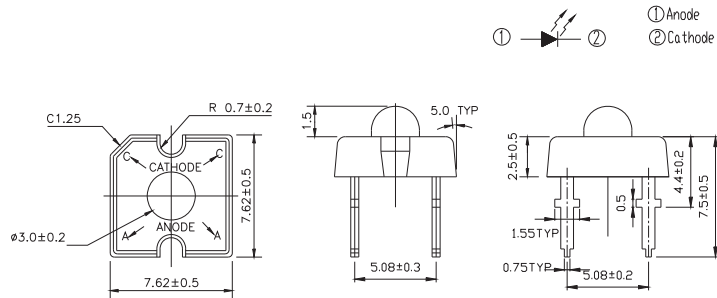
Infrared LED and Silicon Detector

Infrared LED and Silicon Detector | Emitter | Piranha

Infrared LED and Silicon Detector



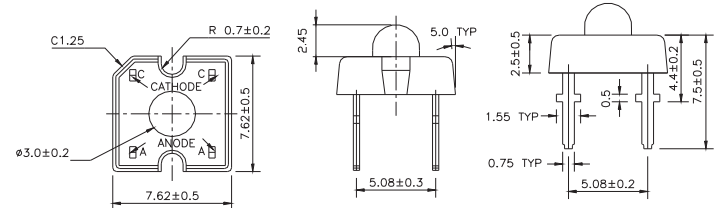
UNIT : mm



Product	Size (LxWxHmm)	λ_P (nm)	V_F Typ (V)	V_F Max (V)	I_{e_Min} (mW/sr)	I_{e_Typ} (mW/sr)	Viewing Angle (°)
EAILP03SXAA0	7.62x7.62x4	850	1.45	1.65	5.6	10	35



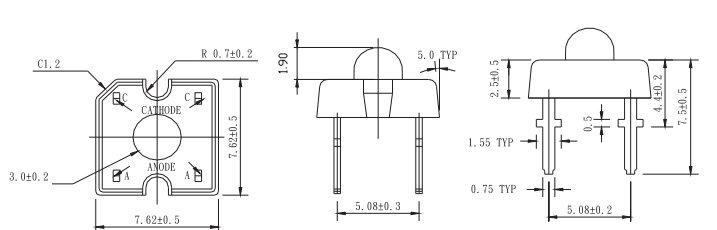
UNIT : mm



Product	Size (LxWxHmm)	λ_P (nm)	V_F Typ (V)	V_F Max (V)	I_{e_Min} (mW/sr)	I_{e_Typ} (mW/sr)	Viewing Angle (°)
EAILP03SXEA0	7.62x7.62x5	850	1.45	1.65	15	29	20



UNIT : mm



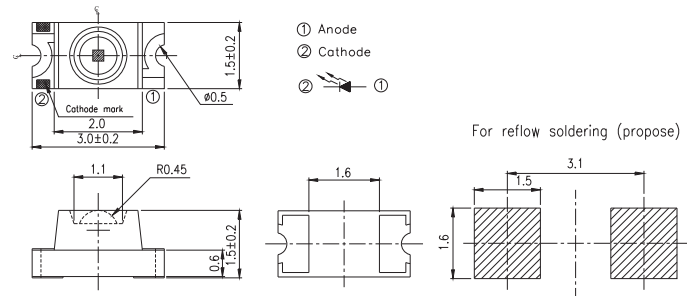
Product	Size (LxWxHmm)	λ_P (nm)	V_F Typ (V)	V_F Max (V)	I_{e_Min} (mW/sr)	I_{e_Typ} (mW/sr)	Viewing Angle (°)
EAILP03SXCA0	7.62x7.62x4.4	850	1.45	1.65	7.8	17	30



Infrared LED and Silicon Detector | Emitter | SMD



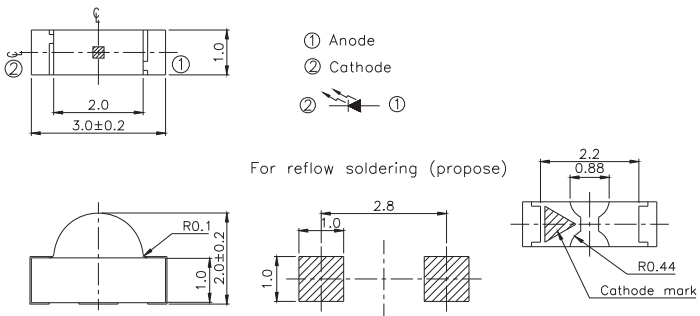
UNIT : mm



Product	Size (LxWxHmm)	λ_P (nm)	V_F Typ (V)	V_F Max (V)	I_{e_Min} (mW/sr)	I_{e_Typ} (mW/sr)	Viewing Angle (°)
EAIST3015A2	3x1.5x1.5	850	1.45	1.65	1	2	75
EAIST3015A0	3x1.5x1.5	940	1.2	1.5	0.5	1.6	100
EAIST3015A1	3x1.5x1.5	940	1.2	1.5	1.25	2.25	100



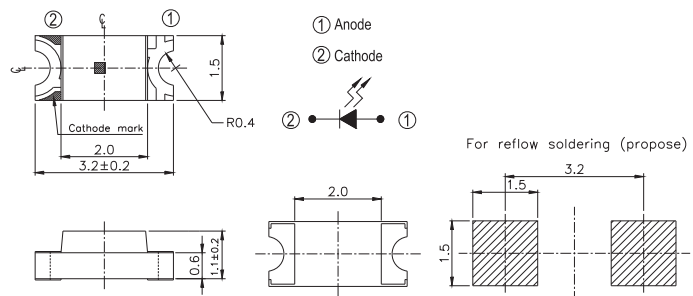
UNIT : mm



Product	Size (LxWxHmm)	λ_P (nm)	V_F Typ (V)	V_F Max (V)	I_{e_Min} (mW/sr)	I_{e_Typ} (mW/sr)	Viewing Angle (°)
EAVIS3010A0	3x1x2	940	1.2	1.5	0.5	0.8	160
EAVIS3010A1	3x1x2	875	1.3	1.6	0.5	0.9	160
EAVIS3010A2	3x1x2	850	1.45	1.65	0.7	1.3	145



UNIT : mm



Product	Size (LxWxHmm)	λ_P (nm)	V_F Typ (V)	V_F Max (V)	I_{e_Min} (mW/sr)	I_{e_Typ} (mW/sr)	Viewing Angle (°)
EAIST3215A0	3.2x1.5x1.1	940	1.2	1.5	0.2	0.8	160

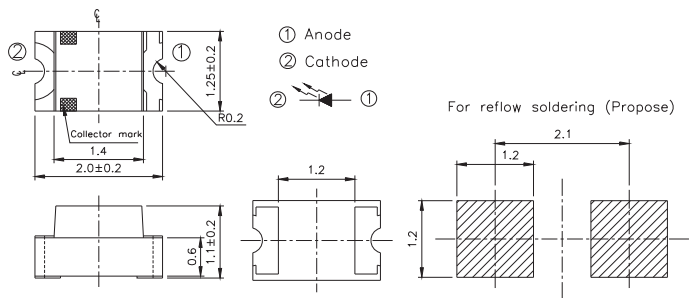
Infrared LED and Silicon Detector

Infrared LED and Silicon Detector | Emitter | SMD

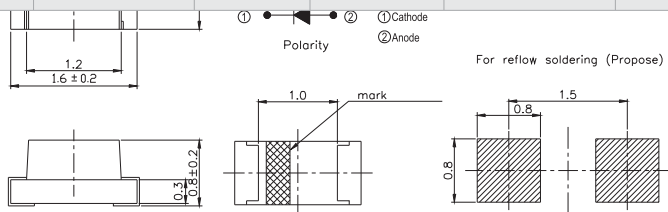
Infrared LED and Silicon Detector



UNIT : mm



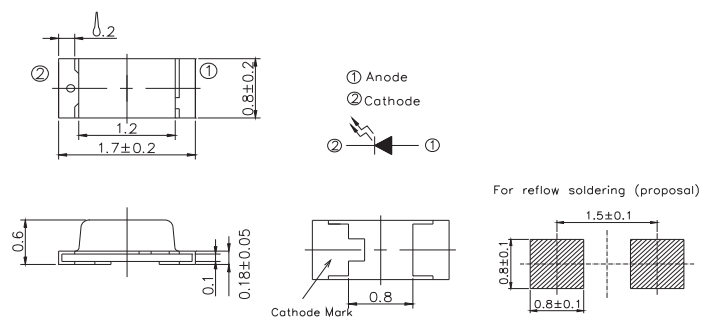
Product	Size (LxWxHmm)	λ_p (nm)	V_F Typ (V)	V_F Max (V)	I_e Min (mW/sr)	I_e Typ (mW/sr)	Viewing Angle (°)
EAIST2012A0	2x1.25x1.1	940	1.2	1.5	0.2	0.8	120
EAIST2012A1	2x1.25x1.1	850	1.4	1.7	1.6	2.1	120



Product	Size (LxWxHmm)	λ_p (nm)	V_F Typ (V)	V_F Max (V)	I_e Min (mW/sr)	I_e Typ (mW/sr)	Viewing Angle (°)
EAIST1608A0	1.6x0.8x0.8	940	1.2	1.5	0.2	0.7	150
EAIST1608A1	1.6x0.8x0.8	875	1.3	1.6	0.2	0.5	145
EAIST1608A2	1.6x0.8x0.8	850	1.4	1.7	1.0	1.85	145



UNIT : mm



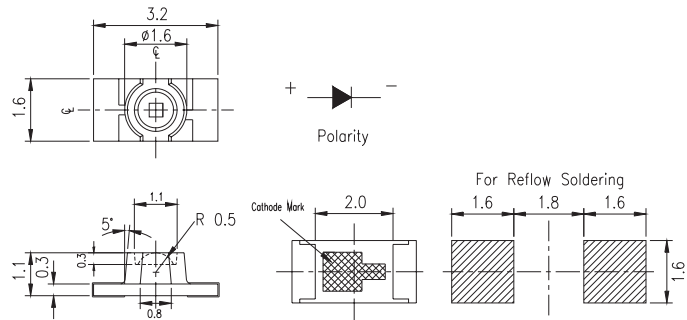
Product	Size (LxWxHmm)	λ_p (nm)	V_F Typ (V)	V_F Max (V)	I_e Min (mW/sr)	I_e Typ (mW/sr)	Viewing Angle (°)
EAIST1708A1	1.7x0.8x0.6	940	1.2	1.5	0.2	0.6	140
EAIST1708A0	1.7x0.8x0.6	870	1.35	1.7	1	1.3	140



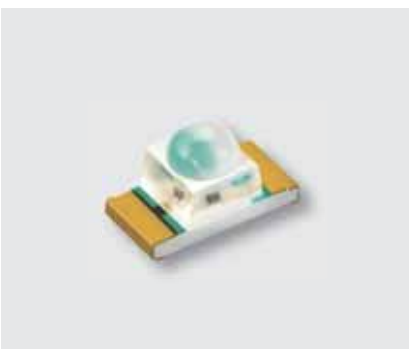
Infrared LED and Silicon Detector | Emitter | SMD



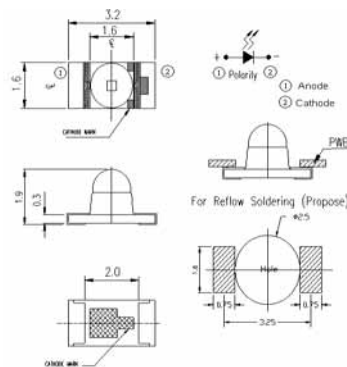
UNIT : mm



Product	Size (LxWxHmm)	λ_P (nm)	V_F Typ (V)	V_F Max (V)	I_{e_Min} (mW/sr)	I_{e_Typ} (mW/sr)	Viewing Angle (°)
EAISR3216A0	3.2x1.6x1.1	940	1.2	1.5	0.5	1.5	160
EAISR3216A1	3.2x1.6x1.1	850	1.45	1.65	3.0	5.5	70



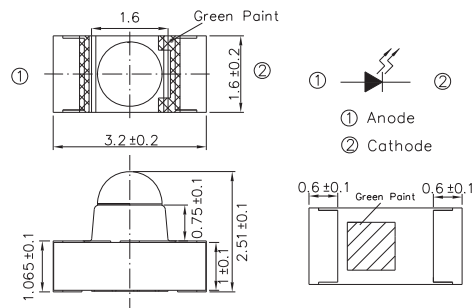
UNIT : mm



Product	Size (LxWxHmm)	λ_P (nm)	V_F Typ (V)	V_F Max (V)	I_{e_Min} (mW/sr)	I_{e_Typ} (mW/sr)	Viewing Angle (°)
EAIST3216A0	3.2x1.6x1.95	940	1.2	1.5	1	3	20
EAIST3216A1	3.2x1.6x1.95	850	1.45	1.7	10	20	20



UNIT : mm



Product	Size (LxWxHmm)	λ_P (nm)	V_F Typ (V)	V_F Max (V)	I_{e_Min} (mW/sr)	I_{e_Typ} (mW/sr)	Viewing Angle (°)
EAIST3216A2	3.2x1.6x2.5	940	1.2	1.5	1	3.5	20

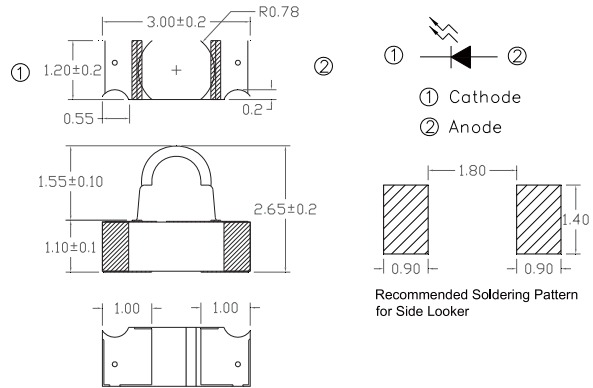
Infrared LED and Silicon Detector

Infrared LED and Silicon Detector | Emitter | SMD

Infrared LED and Silicon Detector



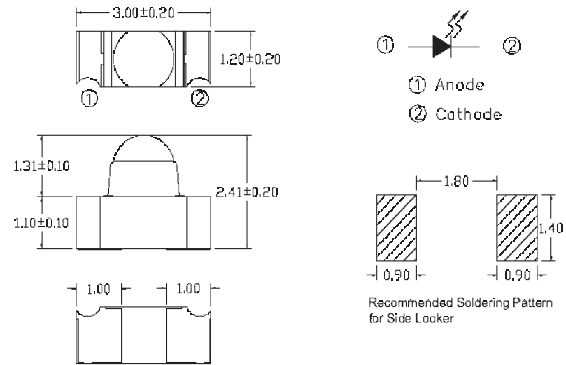
UNIT : mm



Product	Size (LxWxHmm)	λ_P (nm)	V_F Typ (V)	V_F Max (V)	I_{e_Min} (mW/sr)	I_{e_Typ} (mW/sr)	Viewing Angle (°)
EAISV3024A0	3x2.65x1.2	940	1.25	1.5	4.0	8.0	20



UNIT : mm



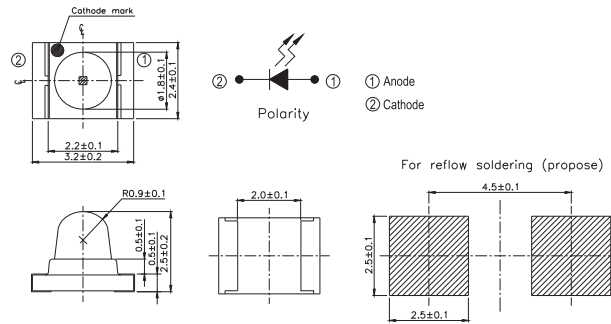
Product	Size (LxWxHmm)	λ_P (nm)	V_F Typ (V)	V_F Max (V)	I_{e_Min} (mW/sr)	I_{e_Typ} (mW/sr)	Viewing Angle (°)
EAISV3024A1	3.0x2.41x1.2	940	1.3	1.6	5	8.5	50



Infrared LED and Silicon Detector | Emitter | SMD



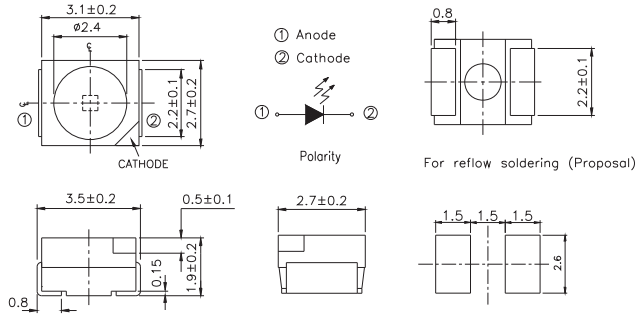
UNIT : mm



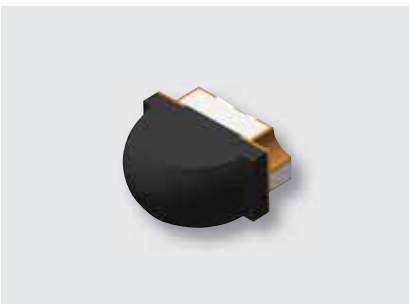
Product	Size (LxWxHmm)	λ_p (nm)	V_F Typ (V)	V_F Max (V)	I_{e_Min} (mW/sr)	I_{e_Typ} (mW/sr)	Viewing Angle (°)
EAIST3224A1	3.2x2.4x2.5	940	1.2	1.5	1	3	30
EAIST3224A0	3.2x2.4x2.5	850	1.4	1.7	7	14	35



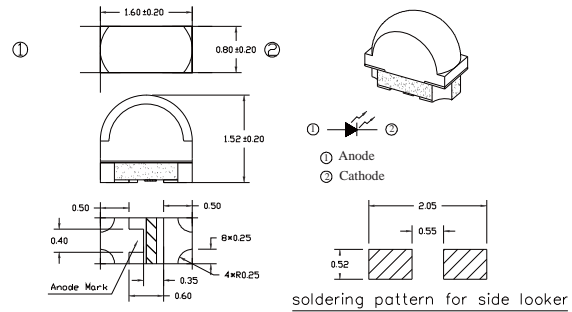
UNIT : mm



Product	Size (LxWxHmm)	λ_p (nm)	V_F Typ (V)	V_F Max (V)	I_{e_Min} (mW/sr)	I_{e_Typ} (mW/sr)	Viewing Angle (°)
EAIPL3528A2	3.5x2.7x1.9	850	1.45	1.65	1	2	120
EAIPL3528A0	3.5x2.7x1.9	940	1.2	1.5	1	1.5	120
EAIPL3528A1	3.5x2.7x1.9	875	1.3	1.6	0.5	1.1	120
EAIPL3528A3	3.5x2.7x1.9	850	1.4	1.7	2	3	120



UNIT : mm

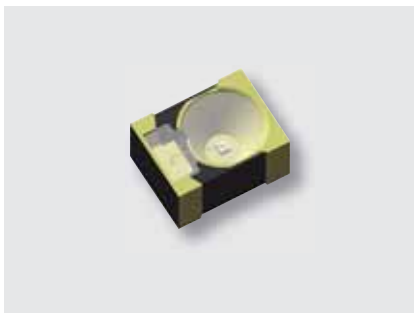


Product	Size (LxWxHmm)	λ_p (nm)	V_F Typ (V)	V_F Max (V)	I_{e_Min} (mW/sr)	I_{e_Typ} (mW/sr)	Viewing Angle (°)
EAISV1608A0	1.6x0.8x1.52	850	1.4	1.7	2	5	100(X) 40(Y)
EAISV1608A1	1.6x0.8x1.52	940	1.2	1.5	6	12	115(X) 55(Y)

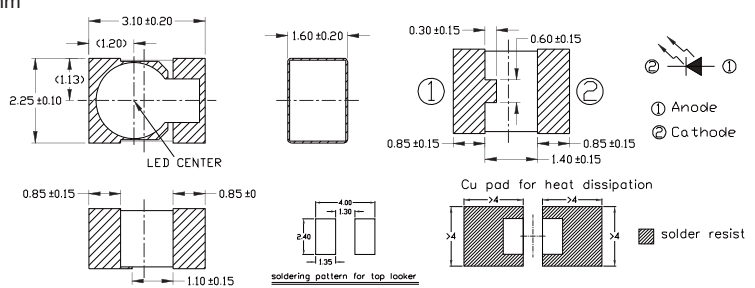
Infrared LED and Silicon Detector

Infrared LED and Silicon Detector | Emitter | SMD

Infrared LED and Silicon Detector



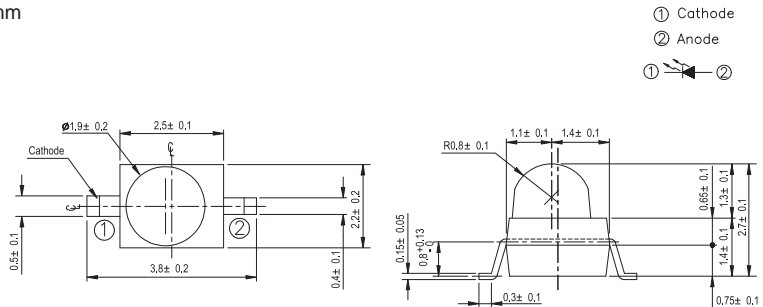
UNIT : mm



Product	Size (LxWxHmm)	λ_p (nm)	V_F Typ (V)	V_F Max (V)	I_{e_Min} (mW/sr)	I_{e_Typ} (mW/sr)	Viewing Angle (°)
EAIST3122A0	3.1x2.25x1.6	850	1.4	1.7	25	55	30
EAIST3122A1	3.1x2.25x1.6	940	1.75	2.2	40	60	30



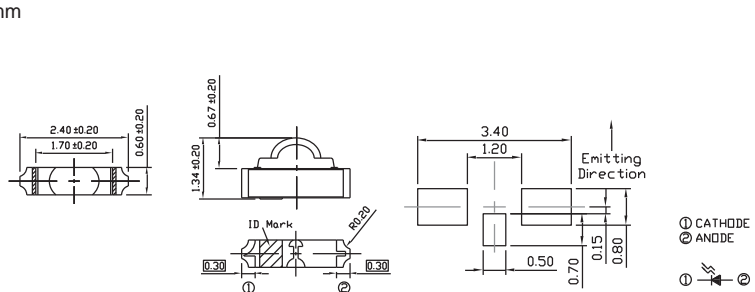
UNIT : mm



Product	Size (LxWxHmm)	λ_p (nm)	V_F Typ (V)	V_F Max (V)	I_{e_Min} (mW/sr)	I_{e_Typ} (mW/sr)	Viewing Angle (°)
EAISA2522A0	2.5x2.2x2.7	940	1.2	1.5	3	5	25
EAISG2522A1	2.5x2.2x2.7	940	1.2	1.5	3	5	25
EAISZ2522A0	2.5x2.2x2.7	940	1.2	1.5	3	5	25
EAISG2522A0	2.5x2.2x2.7	940	1.2	1.5	3	5	25



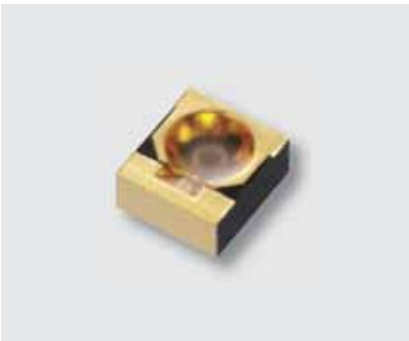
UNIT : mm



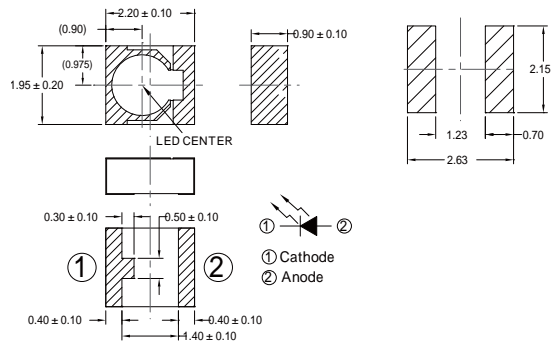
Product	Size (LxWxHmm)	λ_p (nm)	V_F Typ (V)	V_F Max (V)	I_{e_Min} (mW/sr)	I_{e_Typ} (mW/sr)	Viewing Angle (°)
EASIV2406A0	2.4x1.34x0.6	940	1.2	1.4	0.5	1.2	160(X) 120(Y)



Infrared LED and Silicon Detector | Emitter | SMD



UNIT : mm



Product	Size (LxWxHmm)	λ_p (nm)	V_F Typ (V)	V_F Max (V)	I_e _Min (mW/sr)	I_e _Typ (mW/sr)	Viewing Angle (°)
EAIST2219A0	2.2x1.95x0.9	850	1.6	2	25	40	40

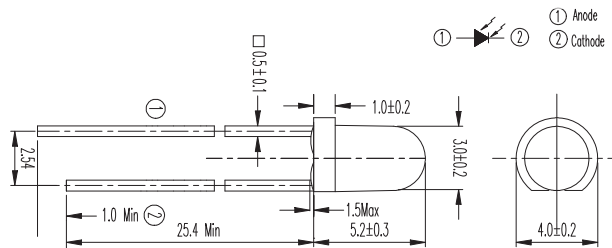
Infrared LED and Silicon Detector

Infrared LED and Silicon Detector | Photo Diode | DIP

Infrared LED and Silicon Detector



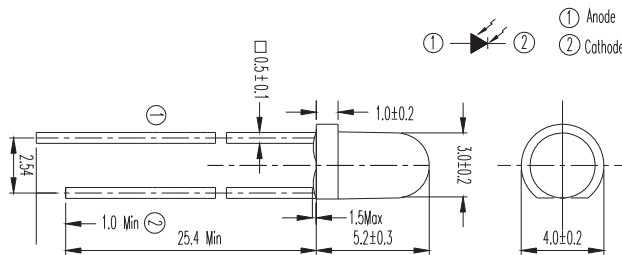
UNIT : mm



Product	Size (mm)	λ_p (nm)	I_L Min (μA)	I_L Typ (μA)	Rise / Fall Time (ns)	BVR_Min (V)	ID_Max (nA)
EAPDLP03RDAA1	3	940	--	10	10 / 10	32	10



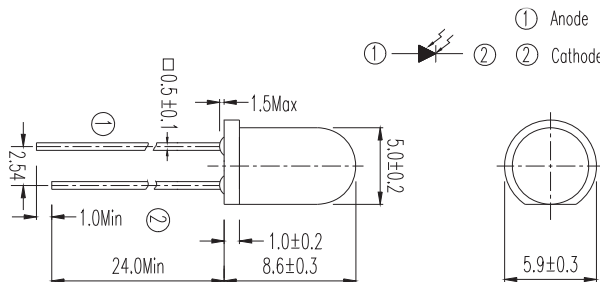
UNIT : mm



Product	Size (mm)	λ_p (nm)	I_L Min (μA)	I_L Typ (μA)	Rise / Fall Time (ns)	BVR_Min (V)	ID_Max (nA)
EAPDLP03RDAA0	3	940	1	3	6 / 6	32	10



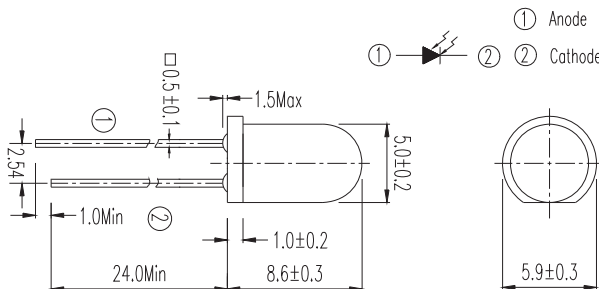
UNIT : mm



Product	Size (mm)	λ_p (nm)	I_L Min (μA)	I_L Typ (μA)	Rise / Fall Time (ns)	BVR_Min (V)	ID_Max (nA)
EAPDLP05RDDA1	5	940	36	40	45 / 45	32	30



UNIT : mm



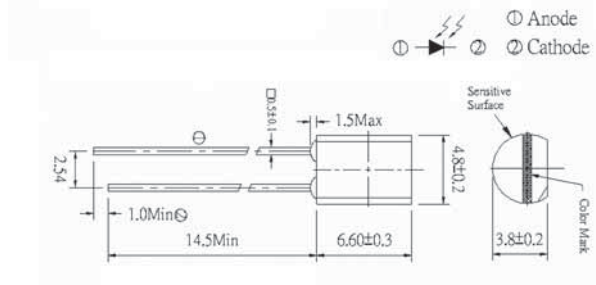
Product	Size (mm)	λ_p (nm)	I_L Min (μA)	I_L Typ (μA)	Rise / Fall Time (ns)	BVR_Min (V)	ID_Max (nA)
EAPDLP05RDDA0	5	940	25	35	45 / 45	32	30



Infrared LED and Silicon Detector | Photo Diode | Side Look



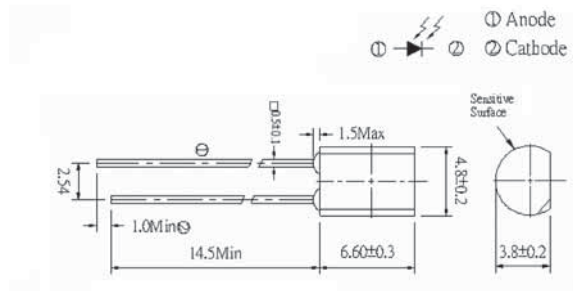
UNIT : mm



Product	Size (LxWxHmm)	λ_P (nm)	I_L Min (μA)	I_L Typ (μA)	Rise / Fall Time (ns)	BVR_Min.(V)	ID_Max (nA)
EAPDLP04SCAA3	4.8x3.8x6.6	940	10.2	18	50 / 50	32	30
EAPDLP04SCAA4	4.8x3.8x6.6	940	10.2	18	50 / 50	32	30



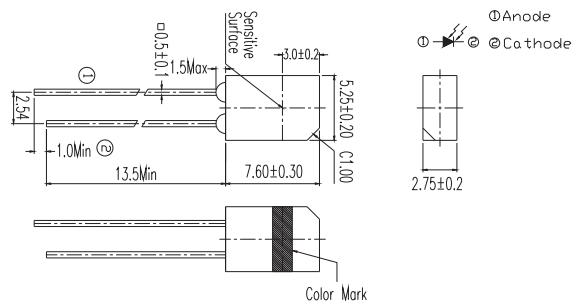
UNIT : mm



Product	Size (LxWxHmm)	λ_P (nm)	I_L Min (μA)	I_L Typ (μA)	Rise / Fall Time (ns)	BVR_Min.(V)	ID_Max (nA)
EAPDLP04SCAA0	4.8x3.8x6.6	940	10.2	18	50 / 50	32	30
EAPDLP04SCAA1	4.8x3.8x6.6	940	2.6	4	10 / 10	32	10
EAPDLP04SCAA2	4.8x3.8x6.6	940	10.2	18	50 / 50	32	30



UNIT : mm



Product	Size (LxWxHmm)	λ_P (nm)	I_L Min (μA)	I_L Typ (μA)	Rise / Fall Time (ns)	BVR_Min.(V)	ID_Max (nA)
EAPDLP03RRCA0	5.2x2.75x7.6	940	10.2	18	50 / 50	32	30

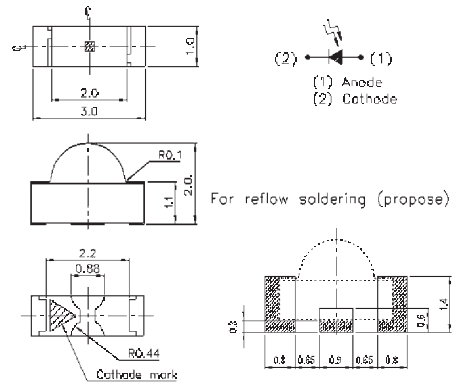
Infrared LED and Silicon Detector

Infrared LED and Silicon Detector | Photo Diode | SMD

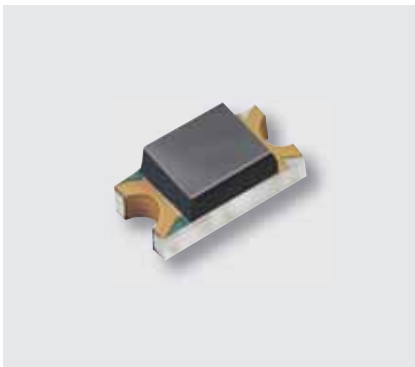
Infrared LED and Silicon Detector



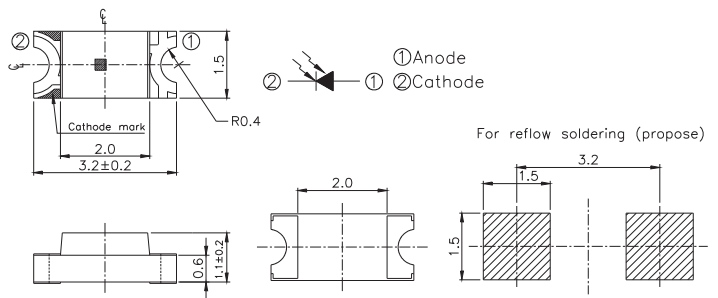
UNIT : mm



Product	Size (LxWxHmm)	λ_p (nm)	I_L Min (μA)	I_L Typ (μA)	Rise / Fall Time (ns)	BVR_Min.(V)	ID_Max (nA)
EAPDSV3020A0	3x3x1	940	940	1.5	6 / 6	33	10



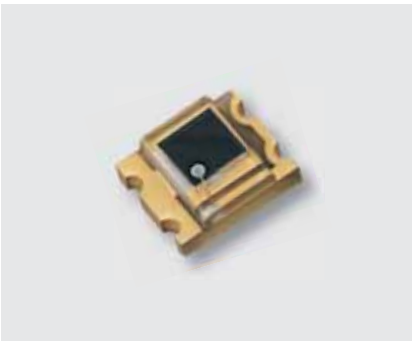
UNIT : mm



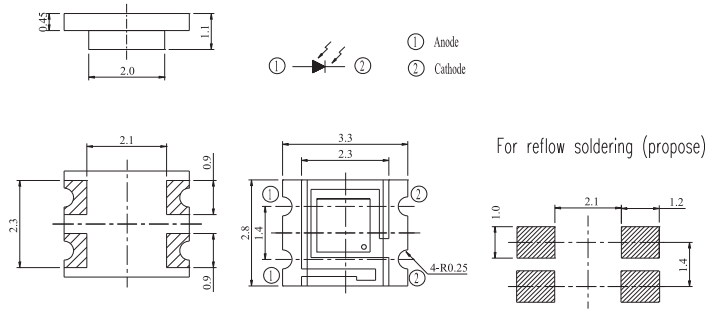
Product	Size (LxWxHmm)	λ_p (nm)	I_L Min (μA)	I_L Typ (μA)	Rise / Fall Time (ns)	BVR_Min.(V)	ID_Max (nA)
EAPDST3215A0	3.2x1.5x1.1	940	0.2	0.8	6 / 6	32	10



Infrared LED and Silicon Detector | Photo Diode | SMD



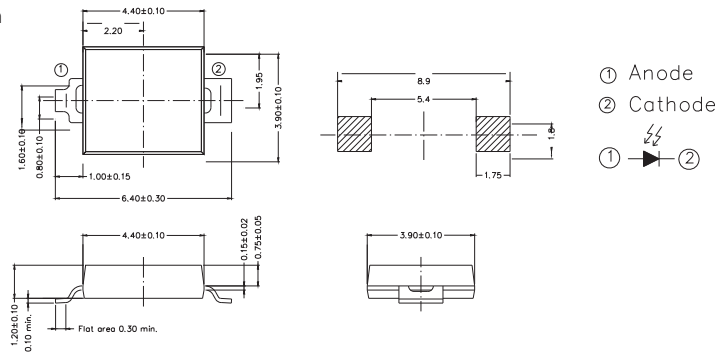
UNIT : mm



Product	Size (LxWxHmm)	λ_p (nm)	I_L Min (μA)	I_L Typ (μA)	Rise / Fall Time (ns)	BVR_Min.(V)	ID_Max (nA)
EAPDST3227A0	3.3x2.8x1.1	940	4.2	6.5	10 / 10	32	10



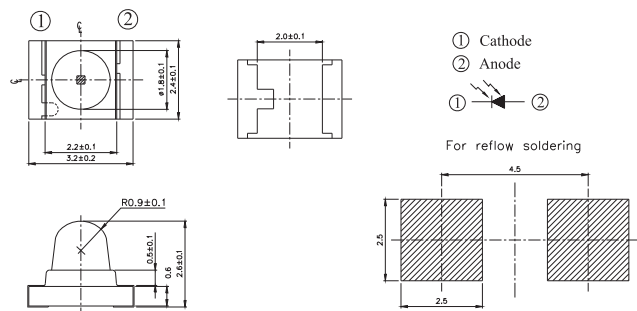
UNIT : mm



Product	Size (LxWxHmm)	λ_p (nm)	I_L Min (μA)	I_L Typ (μA)	Rise / Fall Time (ns)	BVR_Min.(V)	ID_Max (nA)
EAPDSZ4439A2	4.4x3.9x1.2	940	17	25	50 / 50	32	30
EAPDSZ4439A4	4.4x3.9x1.2	940	17	25	50 / 50	32	30



UNIT : mm



Product	Size (LxWxHmm)	λ_p (nm)	I_L Min (μA)	I_L Typ (μA)	Rise / Fall Time (ns)	BVR_Min.(V)	ID_Max (nA)
EAPDST3224A2	3.2x2.4x2.6	940	2	4	6 / 6	32	10
EAPDST3224A3	3.2x2.4x2.6	940	2	5	6 / 6	32	10

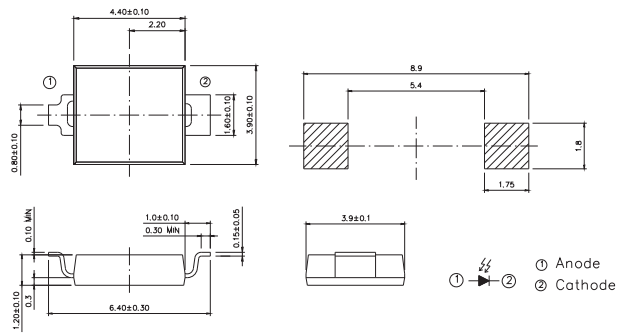
Infrared LED and Silicon Detector

Infrared LED and Silicon Detector | Photo Diode | SMD

Infrared LED and Silicon Detector



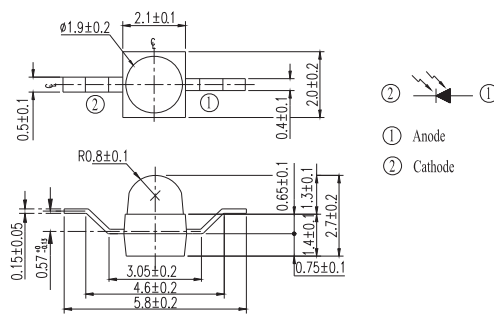
UNIT : mm



Product	Size (LxWxHmm)	λ_p (nm)	I_L Min (μA)	I_L Typ (μA)	Rise / Fall Time (ns)	BVR_Min.(V)	ID_Max (nA)
EAPDSZ4439A1	4.4x3.9x1.2	940	17	25	50 / 50	32	30
EAPDSZ4439A3	4.4x3.9x1.2	940	17	25	50 / 50	32	30
EAPDSZ4439A0	4.4x3.9x1.2	940	17	25	50 / 50	32	30



UNIT : mm



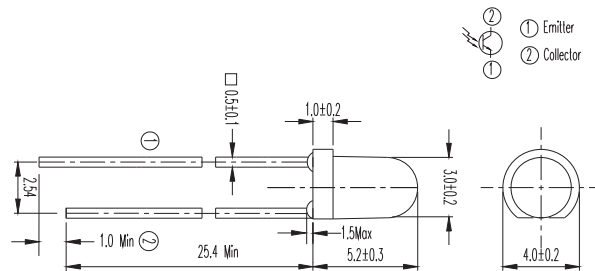
Product	Size (LxWxHmm)	λ_p (nm)	I_L Min (μA)	I_L Typ (μA)	Rise / Fall Time (ns)	BVR_Min.(V)	ID_Max (nA)
EAPDSZ2120A0	2.1x2x2.7	940	1	4	6 / 6	32	10



Infrared LED and Silicon Detector | Photo Transistor | DIP



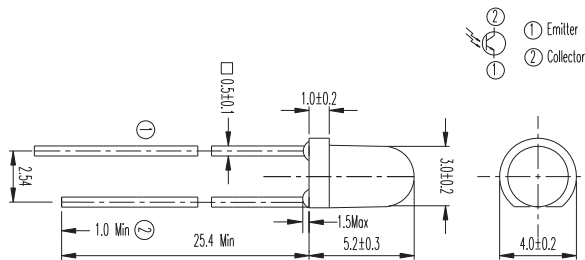
UNIT : mm



Product	Size (mm)	λ_p (nm)	Rise / Fall Time (μs)	$V_{CE(SAT)}_{Max}$ (V)	$I_{C(ON)}_{Min}$ (mA)	$I_{C(ON)}_{Typ}$ (mA)	$I_{C(ON)}_{Max}$ (mA)
EAPLP03RDAA0	3	940	15 / 15	0.4	0.7	2	--



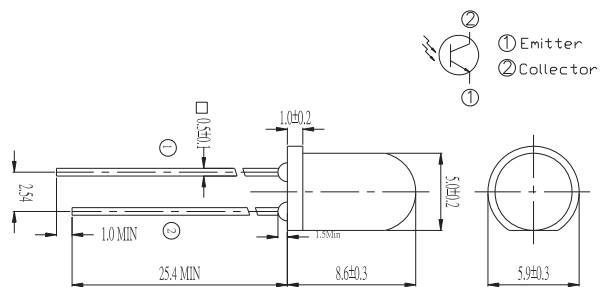
UNIT : mm



Product	Size (mm)	λ_p (nm)	Rise / Fall Time (μs)	$V_{CE(SAT)}_{Max}$ (V)	$I_{C(ON)}_{Min}$ (mA)	$I_{C(ON)}_{Typ}$ (mA)	$I_{C(ON)}_{Max}$ (mA)
EAPLP03RDAA1	3	940	15 / 15	0.4	0.7	--	5.07



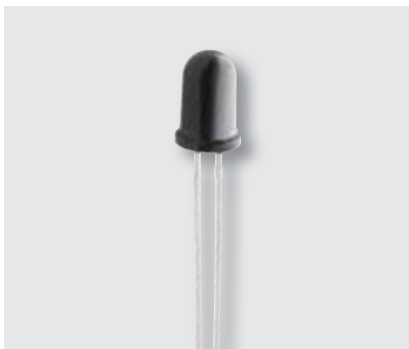
UNIT : mm



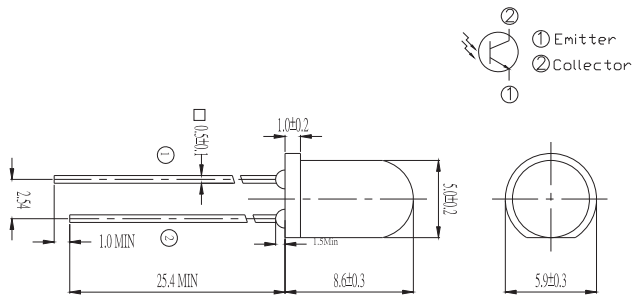
Product	Size (mm)	λ_p (nm)	Rise / Fall Time (μs)	$V_{CE(SAT)}_{Max}$ (V)	$I_{C(ON)}_{Min}$ (mA)	$I_{C(ON)}_{Typ}$ (mA)	$I_{C(ON)}_{Max}$ (mA)
EAPLP05RDDA0	5	940	15 / 15	0.4	0.7	4	--

Infrared LED and Silicon Detector | Photo Transistor | DIP

Infrared LED and Silicon Detector



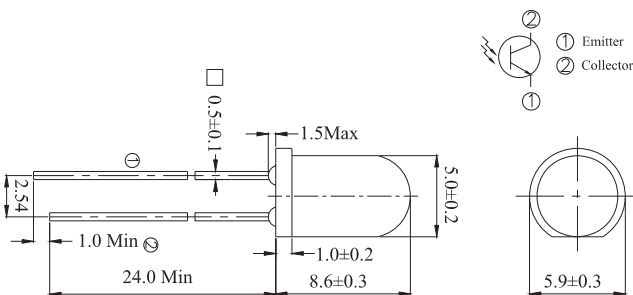
UNIT : mm



Product	Size (mm)	λ_P (nm)	Rise / Fall Time (μ s)	$V_{CE(SAT)}_{Max}$ (V)	$I_{C(ON)}_{Min}$ (mA)	$I_{C(ON)}_{Typ}$ (mA)	$I_{C(ON)}_{Max}$ (mA)
EAPLP05RDDA1	5	940	15 / 15	0.4	0.7	3	--



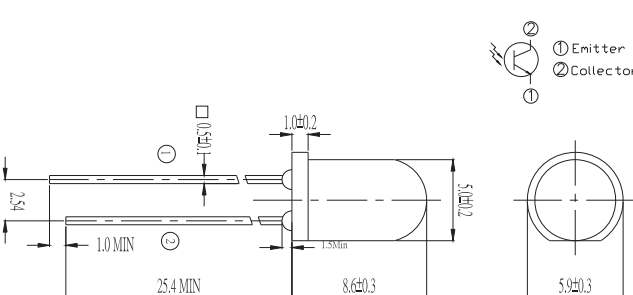
UNIT : mm



Product	Size (mm)	λ_P (nm)	Rise / Fall Time (μ s)	$V_{CE(SAT)}_{Max}$ (V)	$I_{C(ON)}_{Min}$ (mA)	$I_{C(ON)}_{Typ}$ (mA)	$I_{C(ON)}_{Max}$ (mA)
EAPLP05RDEA0	5	940	15 / 15	0.4	1.77	3.5	--



UNIT : mm

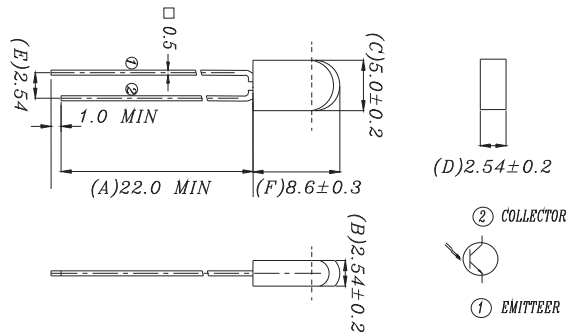


Product	Size (mm)	λ_P (nm)	Rise / Fall Time (μ s)	$V_{CE(SAT)}_{Max}$ (V)	$I_{C(ON)}_{Min}$ (mA)	$I_{C(ON)}_{Typ}$ (mA)	$I_{C(ON)}_{Max}$ (mA)
EAPLP05RDEA1	5	940	15 / 15	0.4	0.7	2	--

Infrared LED and Silicon Detector | Photo Transistor | DIP



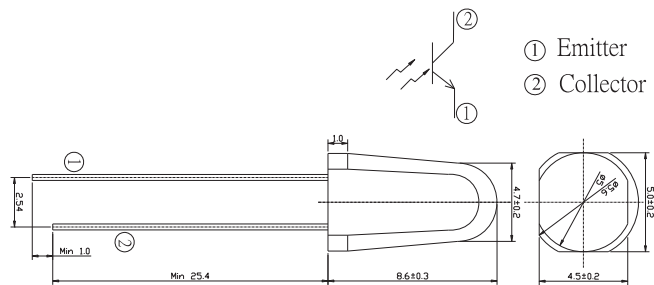
UNIT : mm



Product	Size (mm)	λ_P (nm)	Rise / Fall Time (μs)	$V_{CE(SAT_Max)}$ (V)	$I_{C(ON)_Min}$ (mA)	$I_{C(ON)_Typ}$ (mA)	$I_{C(ON)_Max}$ (mA)
EAPLP05RDPA0	5	940	15 / 15	0.4	0.7	1.2	--



UNIT : mm

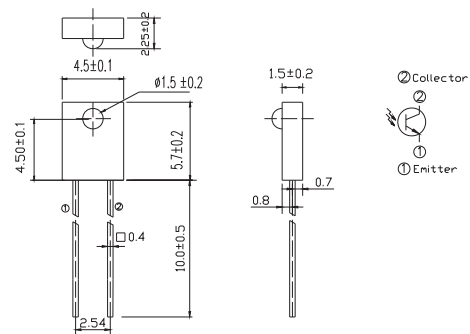


Product	Size (mm)	λ_P (nm)	Rise / Fall Time (μs)	$V_{CE(SAT_Max)}$ (V)	$I_{C(ON)_Min}$ (mA)	$I_{C(ON)_Typ}$ (mA)	$I_{C(ON)_Max}$ (mA)
EAPLP05RDQA0	5	940	15 / 15	0.4	1.77	4	--

Infrared LED and Silicon Detector | Photo Transistor | Side Look



UNIT : mm



Product	Size (LxWxHmm)	λ_P (nm)	Rise / Fall Time (μs)	$V_{CE(SAT_Max)}$ (V)	$I_{C(ON)_Min}$ (mA)	$I_{C(ON)_Typ}$ (mA)	$I_{C(ON)_Max}$ (mA)
EAPLP04RRAA1	4.5x2.25x5.7	940	15 / 15	0.4	0.8	--	5
EAPLP04RRAA0	4.5x2.25x5.7	940	15 / 15	0.4	0.8	--	5

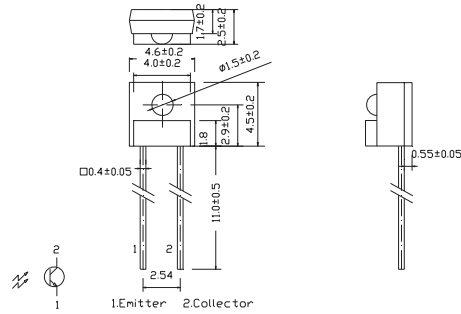
Infrared LED and Silicon Detector

Infrared LED and Silicon Detector | Photo Transistor | Side Look

Infrared LED and Silicon Detector



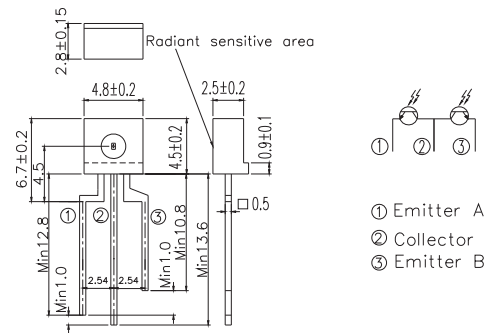
UNIT : mm



Product	Size (LxWxHmm)	λ_p (nm)	Rise / Fall Time (μs)	$V_{CE(SAT)}_{Max}$ (V)	$I_{C(ON)}_{Min}$ (mA)	$I_{C(ON)}_{Typ}$ (mA)	$I_{C(ON)}_{Max}$ (mA)
EAPLP04RRKA0	4.6x2.5x4.5	940	15 / 15	0.4	0.53	--	3.41
EAPLP04RRKA1	4.6x2.5x4.5	940	15 / 15	0.4	0.53	--	3.41



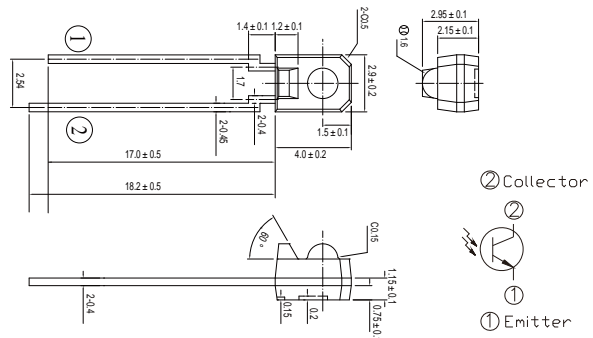
UNIT : mm



Product	Size (LxWxHmm)	λ_p (nm)	Rise / Fall Time (μs)	$V_{CE(SAT)}_{Max}$ (V)	$I_{C(ON)}_{Min}$ (mA)	$I_{C(ON)}_{Typ}$ (mA)	$I_{C(ON)}_{Max}$ (mA)
EAPLP04RRLA1	4.8x2.8x4.5	940	15 / 15	0.4	0.129	--	1.085
EAPLP04RRAA3	4.8x2.8x4.5	940	15 / 15	0.4	0.129	--	1.085
EAPLP04RRAA2	4.8x2.8x4.5	940	15 / 15	0.4	0.129	--	1.085



UNIT : mm

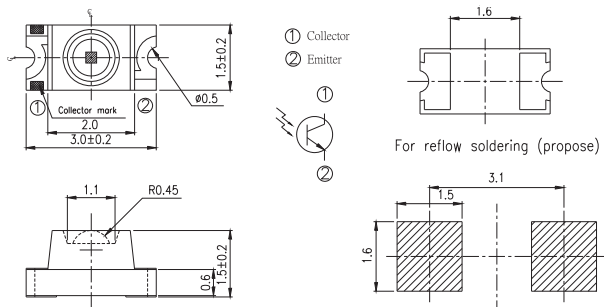


Product	Size (LxWxHmm)	λ_p (nm)	Rise / Fall Time (μs)	$V_{CE(SAT)}_{Max}$ (V)	$I_{C(ON)}_{Min}$ (mA)	$I_{C(ON)}_{Typ}$ (mA)	$I_{C(ON)}_{Max}$ (mA)
EAPLP02RRHA0	2.9x2.9x4	940	15 / 15	0.4	1.59	--	3.41

Infrared LED and Silicon Detector | Photo Transistor | SMD



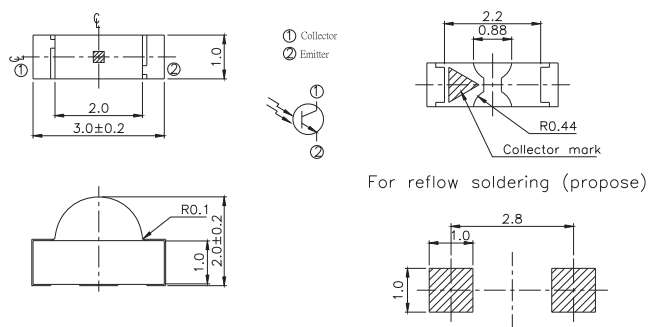
UNIT : mm



Product	Size (LxWxHmm)	λ_P (nm)	Rise / Fall Time (μs)	$V_{CE(SAT)}_{Max}$ (V)	$I_{C(ON)}_{Min}$ (mA)	$I_{C(ON)}_{Typ}$ (mA)	$I_{C(ON)}_{Max}$ (mA)
EAPST3015A0	3x1.5x1.5	940	15 / 15	0.4	0.3	0.8	--



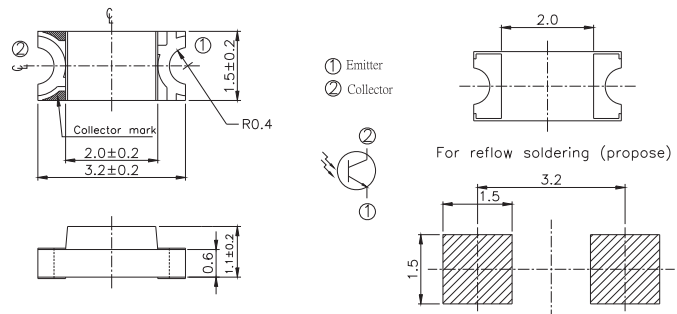
UNIT : mm



Product	Size (LxWxHmm)	λ_P (nm)	Rise / Fall Time (μs)	$V_{CE(SAT)}_{Max}$ (V)	$I_{C(ON)}_{Min}$ (mA)	$I_{C(ON)}_{Typ}$ (mA)	$I_{C(ON)}_{Max}$ (mA)
EAPSV3010A1	3x1x2	940	15 / 15	0.4	0.3	1.14	--
EAPSV3010A0	3x1x2	940	15 / 15	0.4	0.3	1.14	--



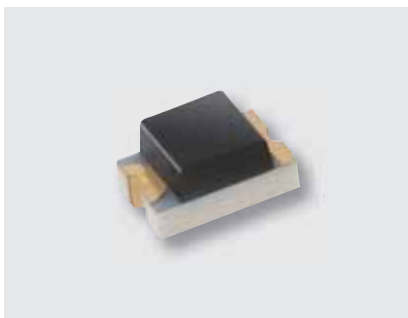
UNIT : mm



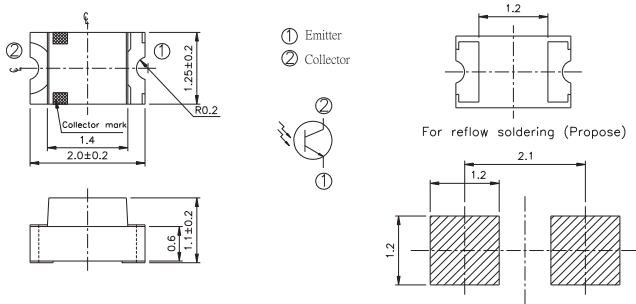
Product	Size (LxWxHmm)	λ_P (nm)	Rise / Fall Time (μs)	$V_{CE(SAT)}_{Max}$ (V)	$I_{C(ON)}_{Min}$ (mA)	$I_{C(ON)}_{Typ}$ (mA)	$I_{C(ON)}_{Max}$ (mA)
EAPST3215A1	3.2x1.5x1.1	940	15 / 15	0.4	0.1	0.3	--
EAPST3215A0	3.2x1.5x1.1	940	15 / 15	0.4	0.1	0.3	--

Infrared LED and Silicon Detector | Photo Transistor | SMD

Infrared LED and Silicon Detector



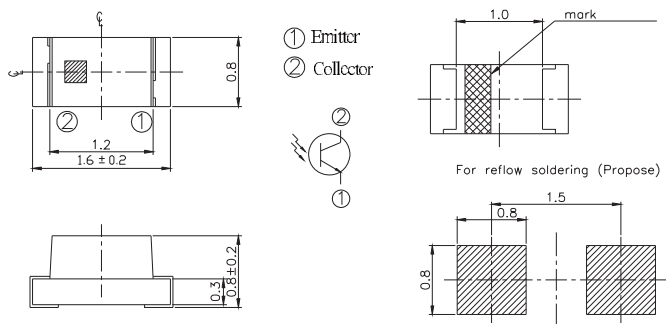
UNIT : mm



Product	Size (LxWxHmm)	λ_P (nm)	Rise / Fall Time (μs)	$V_{CE(SAT_Max)}$ (V)	$I_{C(ON_Min)}$ (mA)	$I_{C(ON_Typ)}$ (mA)	$I_{C(ON_Max)}$ (mA)
EAPST2012A1	2x1.25x1.1	940	15 / 15	0.4	0.1	0.65	--
EAPST2012A0	2x1.25x1.1	940	15 / 15	0.4	0.3	1	--



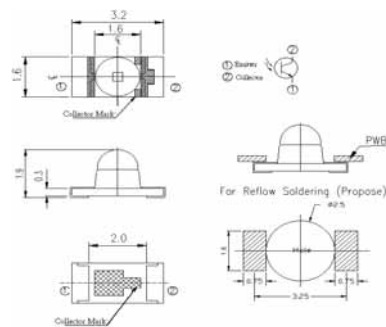
UNIT : mm



Product	Size (LxWxHmm)	λ_P (nm)	Rise / Fall Time (μs)	$V_{CE(SAT_Max)}$ (V)	$I_{C(ON_Min)}$ (mA)	$I_{C(ON_Typ)}$ (mA)	$I_{C(ON_Max)}$ (mA)
EAPST1608A1	1.6x0.8x0.8	940	15 / 15	0.4	0.3	0.6	--
EAPST1608A0	1.6x0.8x0.8	940	15 / 15	0.4	0.3	0.6	--



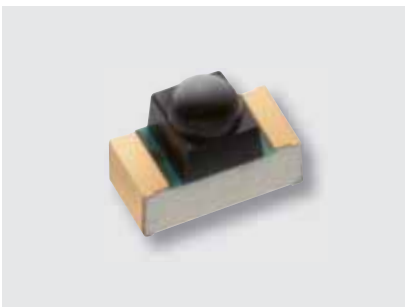
UNIT : mm



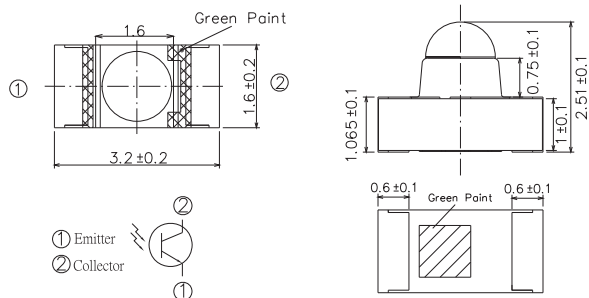
Product	Size (LxWxHmm)	λ_P (nm)	Rise / Fall Time (μs)	$V_{CE(SAT_Max)}$ (V)	$I_{C(ON_Min)}$ (mA)	$I_{C(ON_Typ)}$ (mA)	$I_{C(ON_Max)}$ (mA)
EAPSR3216A1	3.2x1.6x1.85	940	15 / 15	0.4	--	1	--
EAPSR3216A0	3.2x1.6x1.85	940	15 / 15	0.4	0.3	2.6	--



Infrared LED and Silicon Detector | Photo Transistor | SMD



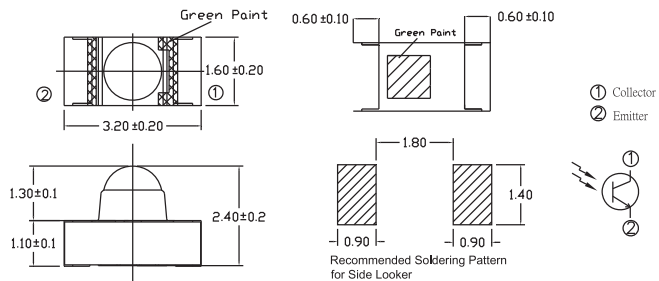
UNIT : mm



Product	Size (LxWxHmm)	λ_P (nm)	Rise / Fall Time (μs)	$V_{CE(SAT_Max)}$ (V)	$I_{C(ON)_Min}$ (mA)	$I_{C(ON)_Typ}$ (mA)	$I_{C(ON)_Max}$ (mA)
EAPST3216A0	3.2x1.6x2.5	940	15 / 15	0.4	--	1	--



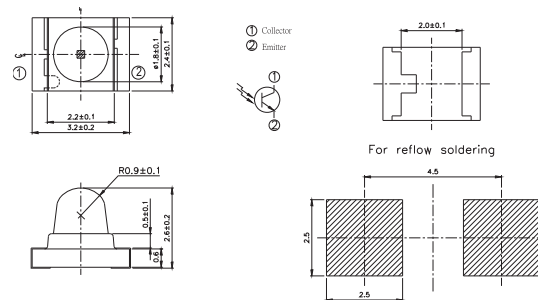
UNIT : mm



Product	Size (LxWxHmm)	λ_P (nm)	Rise / Fall Time (μs)	$V_{CE(SAT_Max)}$ (V)	$I_{C(ON)_Min}$ (mA)	$I_{C(ON)_Typ}$ (mA)	$I_{C(ON)_Max}$ (mA)
EAPSV3224A0	3.2x1.6x2.4	940	15/15	0.4	1.14	3	--



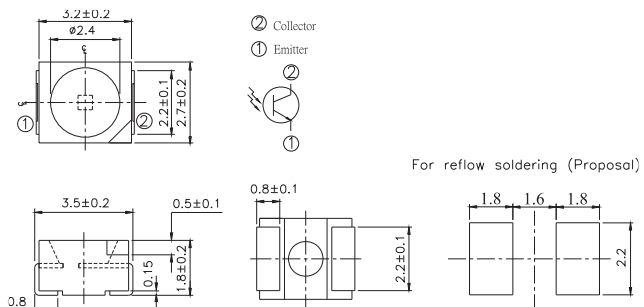
UNIT : mm



Product	Size (LxWxHmm)	λ_P (nm)	Rise / Fall Time (μs)	$V_{CE(SAT_Max)}$ (V)	$I_{C(ON)_Min}$ (mA)	$I_{C(ON)_Typ}$ (mA)	$I_{C(ON)_Max}$ (mA)
EAPST3224A0	3.2x2.4x2.6	940	15 / 15	0.4	1.7	3	--



UNIT : mm



Product	Size (LxWxHmm)	λ_P (nm)	Rise / Fall Time (μs)	$V_{CE(SAT_Max)}$ (V)	$I_{C(ON)_Min}$ (mA)	$I_{C(ON)_Typ}$ (mA)	$I_{C(ON)_Max}$ (mA)
EAPPL3527A0	3.5x2.7x1.8	940	15 / 15	0.4	0.016	--	0.08

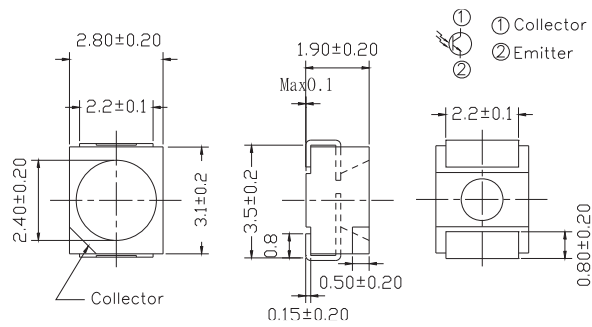
Infrared LED and Silicon Detector

Infrared LED and Silicon Detector | Photo Transistor | SMD

Infrared LED and Silicon Detector



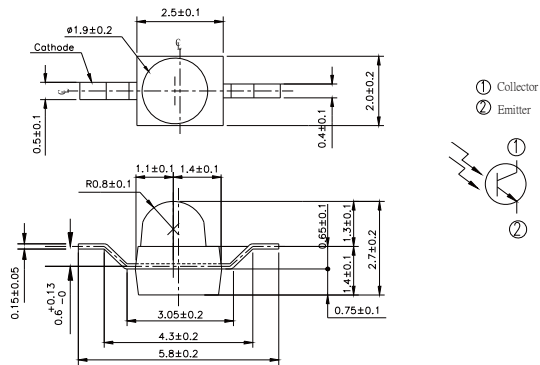
UNIT : mm



Product	Size (LxWxHmm)	λ_P (nm)	Rise / Fall Time (μs)	$V_{CE(SAT_Max)}$ (V)	$I_{C(ON)_Min}$ (mA)	$I_{C(ON)_Typ}$ (mA)	$I_{C(ON)_Max}$ (mA)
EAPPL3527A1	3.5x2.8x1.9	940	15 / 15	0.4	0.3	1	--



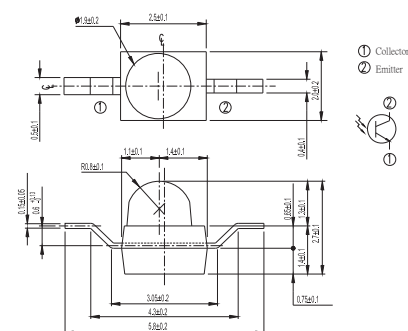
UNIT : mm



Product	Size (LxWxHmm)	λ_P (nm)	Rise / Fall Time (μs)	$V_{CE(SAT_Max)}$ (V)	$I_{C(ON)_Min}$ (mA)	$I_{C(ON)_Typ}$ (mA)	$I_{C(ON)_Max}$ (mA)
EAPST2520A0	2.5x2x2.7	940	15 / 15	0.4	1	3	--
EAPSZ2520A1	2.5x2x2.7	940	15 / 15	0.4	1	3	--
EAPSY2520A2	2.5x2x2.7	940	15 / 15	0.4	1	3	--



UNIT : mm

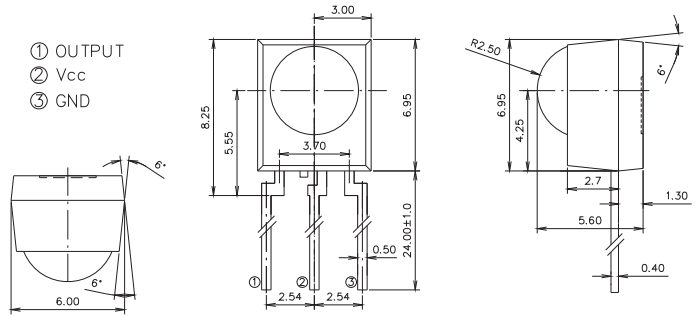


Product	Size (LxWxHmm)	λ_P (nm)	Rise / Fall Time (μs)	$V_{CE(SAT_Max)}$ (V)	$I_{C(ON)_Min}$ (mA)	$I_{C(ON)_Typ}$ (mA)	$I_{C(ON)_Max}$ (mA)
EAPST2520A1	2.5x2x2.7	940	15 / 15	0.4	1	1.5	--
EAPSZ2520A0	2.5x2x2.7	940	15 / 15	0.4	1	1.5	--
EAPSG2520A0	2.5x2x2.7	940	15 / 15	0.4	1	1.5	--

Infrared Receiver Module | Short Burst | DIP-Vo – Vcc – GND



UNIT : mm

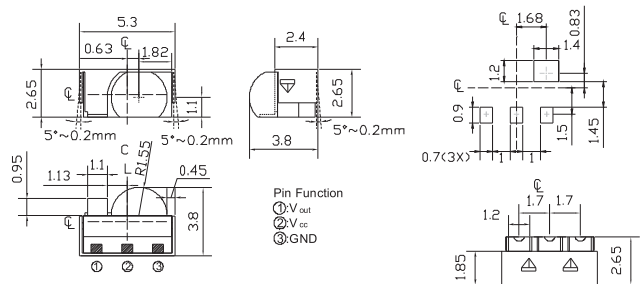


Product	Size (LxWxHmm)	λ_p (nm)	Carrier Freq. (KHz)	Supply Voltage (V)	I_{CC} Typ (mA)	L_{Center} (m)	L_{45} (m)
EAIRMBA0	8.25x6x5.6	940	36	3-5	0.4	14	6
EAIRMBA2	8.25x6x5.6	940	38	3-5	0.4	14	6

Infrared Receiver Module | Short Burst | SMD



UNIT : mm



Product	Size (LxWxHmm)	λ_p (nm)	Carrier Freq. (KHz)	Supply Voltage (V)	I_{CC} Typ (mA)	L_{Center} (m)	L_{45} (m)
EAIRMLA0	5.3x3.8x2.65	940	36	3-5	0.4	8	5
EAIRMLA1	5.3x3.8x2.65	940	38	3-5	0.4	8	5

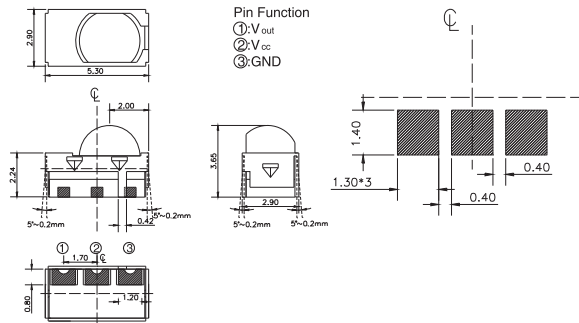
Infrared Receiver Module

Infrared Receiver Module | Short Burst | SMD

Infrared Receiver Module



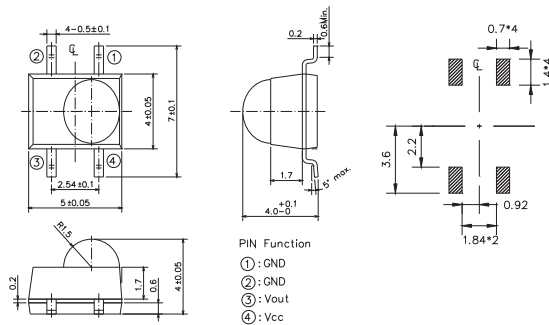
UNIT : mm



Product	Size (LxWxHmm)	λ_p (nm)	Carrier Freq. (KHz)	Supply Voltage (V)	I _{CC} Typ (mA)	L _{Center} (m)	L ₄₅ (m)
EAIRMHA0	5.3x2.9x3.65	940	36	3-5	0.4	8	5
EAIRMHA1	5.3x2.9x3.65	940	38	3-5	0.4	8	5



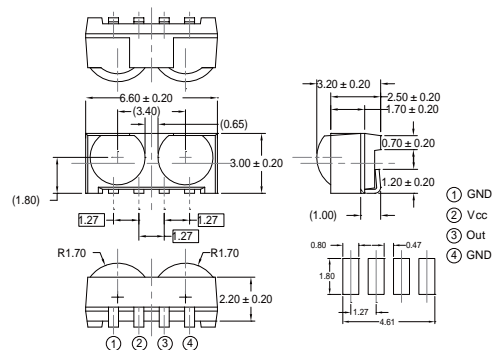
UNIT : mm



Product	Size (LxWxHmm)	λ_p (nm)	Carrier Freq. (KHz)	Supply Voltage (V)	I _{CC} Typ (mA)	L _{Center} (m)	L ₄₅ (m)
EAIRMIA0	5x4x4	940	36	3-5	0.4	8	5



UNIT : mm

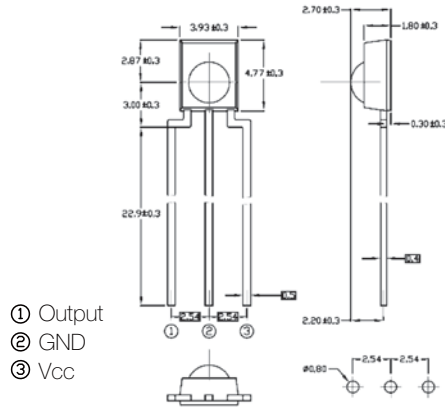


Product	Size (LxWxHmm)	λ_p (nm)	Carrier Freq. (KHz)	Supply Voltage (V)	I _{CC} Typ (mA)	L _{Center} (m)	L ₄₅ (m)
EAIRMJA1	6.6x3x3.2	940	38	3-5	0.4	8	5

Infrared Receiver Module | Standard Burst | DIP-Vo – GND – Vcc



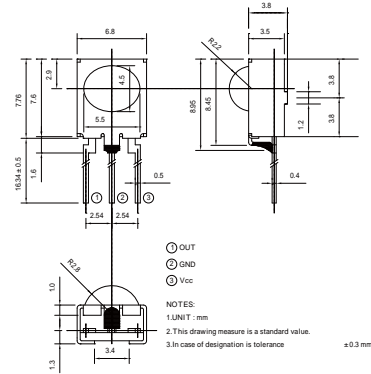
UNIT : mm



Product	Size (LxWxHmm)	λ_p (nm)	Carrier Freq. (KHz)	Supply Voltage (V)	I_{cc} Typ (mA)	L_{Center} (m)	L_{45} (m)
EAIRMCA0	6.27x4.36x3.1	940	38	3-5	0.4	8	4
EAIRMCA1	6.27x4.36x3.1	940	38	3-5	1	8	4
EAIRMCA2	6.27x4.36x3.1	940	40	3-5	0.4	8	4



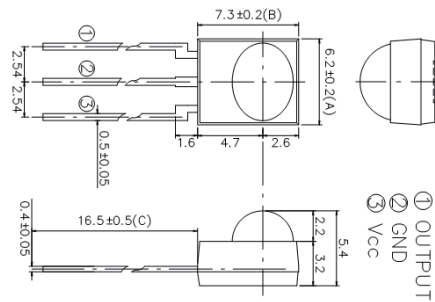
UNIT : mm



Product	Size (LxWxHmm)	λ_p (nm)	Carrier Freq. (KHz)	Supply Voltage (V)	I_{cc} Typ (mA)	L_{Center} (m)	L_{45} (m)
EAIRMDA0	9.2x6.8x6	940	38	3-5	0.4	8	4
EAIRMDA0-2	9.2x6.8x6	940	36	3-5	0.4	8	4
EAIRMDA0-4	9.2x6.8x6	940	40	3-5	0.4	8	4



UNIT : mm

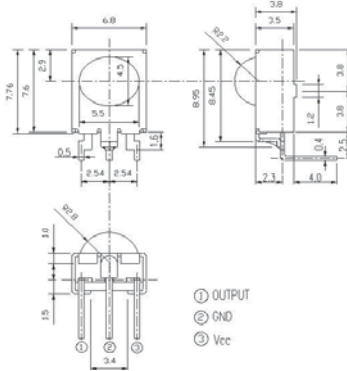


Product	Size (LxWxHmm)	λ_p (nm)	Carrier Freq. (KHz)	Supply Voltage (V)	I_{cc} Typ (mA)	L_{Center} (m)	L_{45} (m)
EAIRMDA1	7.3x6.2x5.4	940	38	3-5	0.4	14	6

Infrared Receiver Module | Standard Burst | DIP-Vo – GND – Vcc



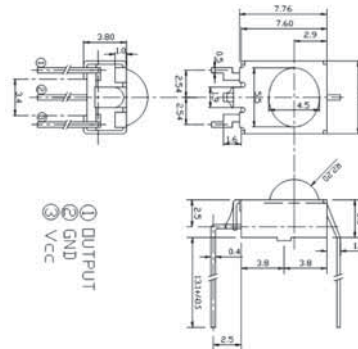
UNIT : mm



Product	Size (LxWxHmm)	λ_p (nm)	Carrier Freq. (KHz)	Supply Voltage (V)	I_{CC} Typ (mA)	L_{Center} (m)	L_{45} (m)
EAIRMDA2	10.1x6.8x6	940	38	3~5	0.4	8	4
EAIRMDA2-2	10.1x6.8x6	940	36	3~5	0.4	8	4



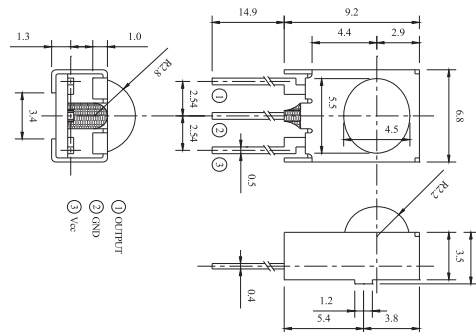
UNIT : mm



Product	Size (LxWxHmm)	λ_p (nm)	Carrier Freq. (KHz)	Supply Voltage (V)	I_{CC} Typ (mA)	L_{Center} (m)	L_{45} (m)
EAIRMDA3	10.1x6.8x6	940	38	3~5	0.4	8	4



UNIT : mm



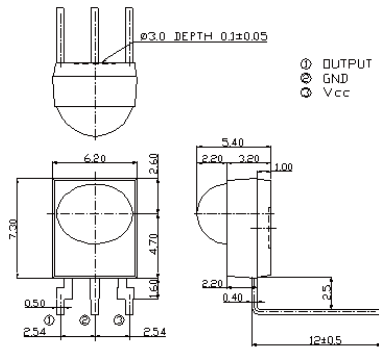
Product	Size (LxWxHmm)	λ_p (nm)	Carrier Freq. (KHz)	Supply Voltage (V)	I_{CC} Typ (mA)	L_{Center} (m)	L_{45} (m)
EAIRMDA4	9.2x6.8x6	940	38	3~5	0.4	8	4



Infrared Receiver Module | Standard Burst | DIP-Vo – GND – Vcc



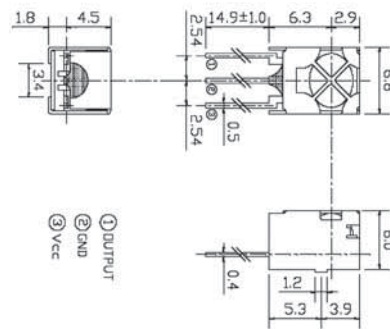
UNIT : mm



Product	Size (LxWxHmm)	λ_p (nm)	Carrier Freq. (KHz)	Supply Voltage (V)	I_{CC} Typ (mA)	L_{Center} (m)	L_{45} (m)
EAIRMDA5	9.2x6.2x5.4	940	40	3-5	0.4	14	6



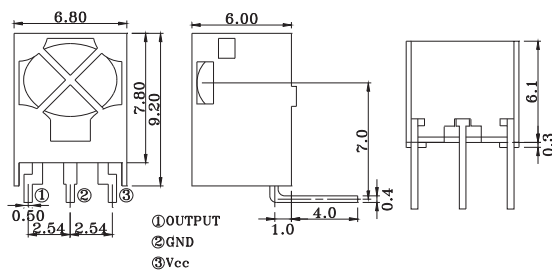
UNIT : mm



Product	Size (LxWxHmm)	λ_p (nm)	Carrier Freq. (KHz)	Supply Voltage (V)	I_{CC} Typ (mA)	L_{Center} (m)	L_{45} (m)
EAIRMEA0	9.2x6.8x6	940	38	3-5	0.4	8	4



UNIT : mm



Product	Size (LxWxHmm)	λ_p (nm)	Carrier Freq. (KHz)	Supply Voltage (V)	I_{CC} Typ (mA)	L_{Center} (m)	L_{45} (m)
EAIRMEA1	10.1x6.8x6	940	38	3-5	0.4	8	4

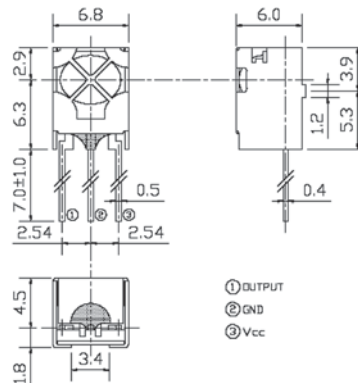
Infrared Receiver Module

Infrared Receiver Module | Standard Burst | DIP-Vo – GND – Vcc

Infrared Receiver Module



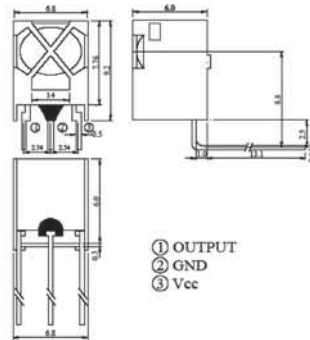
UNIT : mm



Product	Size (LxWxHmm)	λ_p (nm)	Carrier Freq. (KHz)	Supply Voltage (V)	I_{CC} Typ (mA)	L_{Center} (m)	L_{45} (m)
EAIRMEA2	9.2x6.8x6	940	38	3-5	0.4	8	4



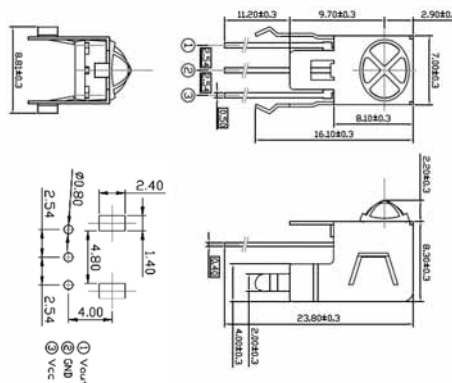
UNIT : mm



Product	Size (LxWxHmm)	λ_p (nm)	Carrier Freq. (KHz)	Supply Voltage (V)	I_{CC} Typ (mA)	L_{Center} (m)	L_{45} (m)
EAIRMEA3	9.2x6.8x6	940	38	3-5	0.4	8	4



UNIT : mm

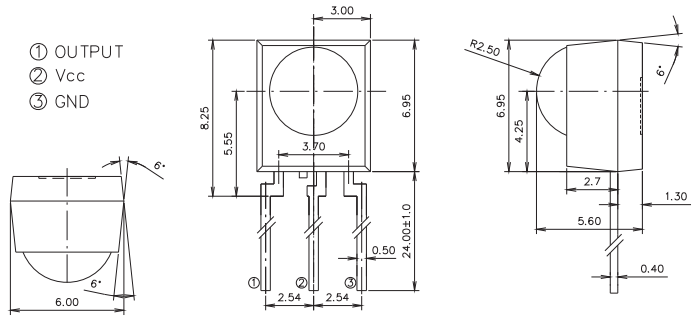


Product	Size (LxWxHmm)	λ_p (nm)	Carrier Freq. (KHz)	Supply Voltage (V)	I_{CC} Typ (mA)	L_{Center} (m)	L_{45} (m)
EAIRMFA0	8.1x7x10.5	940	38	3-5	0.4	8	4

Infrared Receiver Module | Standard Burst | DIP-Vo – Vcc – GND



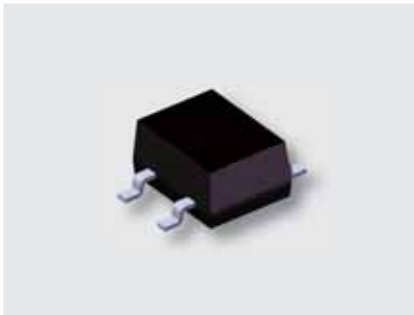
UNIT : mm



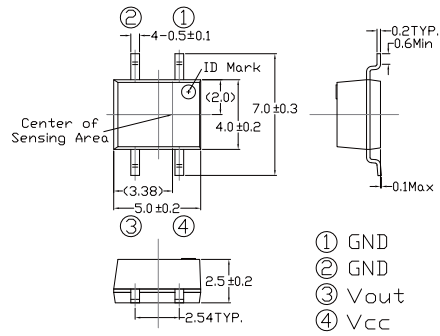
Product	Size (LxWxHmm)	λ_p (nm)	Carrier Freq. (KHz)	Supply Voltage (V)	I_{CC} Typ (mA)	L_{Center} (m)	L_{45} (m)
EAIRMBA1	8.25x6x5.6	940	36	3-5	0.4	14	6
EAIRMBA4	8.25x6x5.6	940	38	3-5	1	14	6
EAIRMBA3	8.25x6x5.6	940	38	3-5	0.4	14	6
EAIRMBA5	8.25x6x5.6	940	40	3-5	0.4	14	6
EAIRMBA6	8.25x6x5.6	940	56	3-5	0.4	14	6

Infrared Receiver Module | Standard Burst | SMD

Infrared Receiver Module



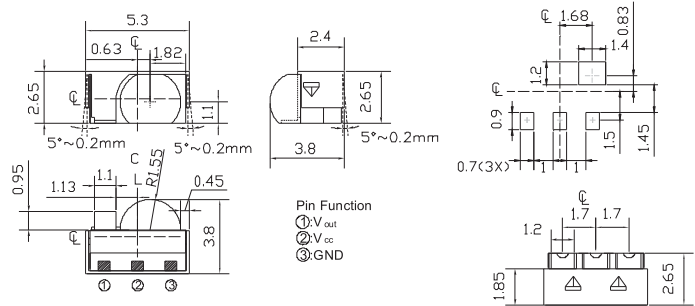
UNIT : mm



Product	Size (LxWxHmm)	λ_p (nm)	Carrier Freq. (KHz)	Supply Voltage (V)	I_{CC} Typ (mA)	L_{Center} (m)	L_{45} (m)
EAIRMKA1	5x4x2	940	36	3-5	0.4	8	5
EAIRMKA2	5x4x2	940	38	3-5	0.4	8	5
EAIRMKA3	5x4x2	940	36	3-5	1	8	5



UNIT : mm



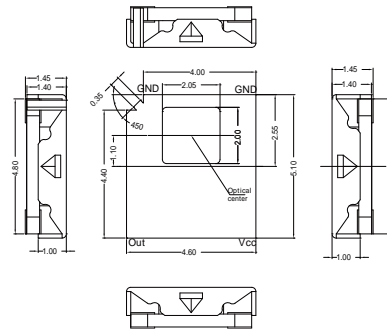
Product	Size (LxWxHmm)	λ_p (nm)	Carrier Freq. (KHz)	Supply Voltage (V)	I_{CC} Typ (mA)	L_{Center} (m)	L_{45} (m)
EAIRMLA2	5.3x3.8x2.65	940	38	3-5	0.4	8	5
EAIRMLA3	5.3x3.8x2.65	940	38	3-5	1	8	5
EAIRMLA4	5.3x3.8x2.65	940	40	3-5	0.4	8	5



Infrared Receiver Module | Standard Burst | SMD



UNIT : mm



Product	Size (LxWxHmm)	λ_p (nm)	Carrier Freq. (KHz)	Supply Voltage (V)	I_{CC} Typ (mA)	L_{Center} (m)	L_{45} (m)
EAIRMGA0	5.1x4.6x1.45	940	36	3~5	1	8	5
EAIRMGA1	5.1x4.6x1.45	940	38	3~5	1	8	5
EAIRMGA2	5.1x4.6x1.45	940	40	2.7~5	0.9	8	5

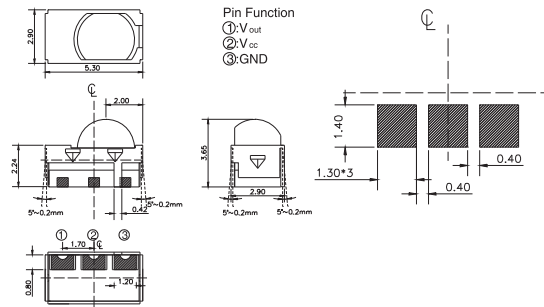
Infrared Receiver Module

Infrared Receiver Module | Standard Burst | SMD

Infrared Receiver Module



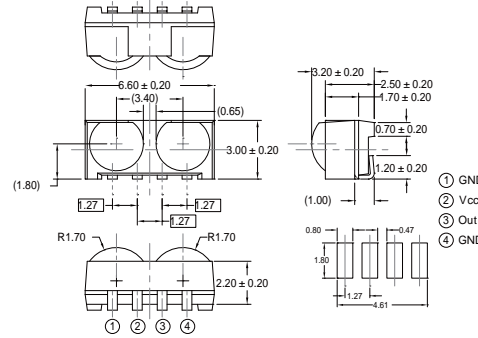
UNIT : mm



Product	Size (LxWxHmm)	λ_p (nm)	Carrier Freq. (KHz)	Supply Voltage (V)	I _{CC} Typ (mA)	L _{Center} (m)	L ₄₅ (m)
EAIRMHA2	5.3x2.9x3.65	940	38	3-5	1	8	5



UNIT : mm

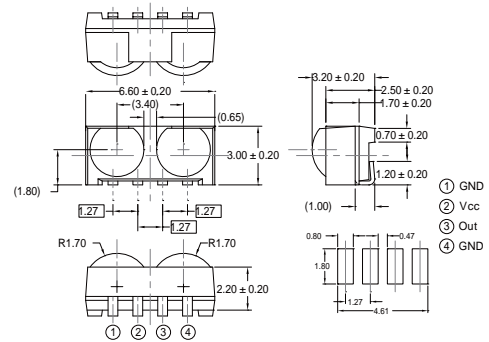


Product	Size (LxWxHmm)	λ_p (nm)	Carrier Freq. (KHz)	Supply Voltage (V)	I _{CC} Typ (mA)	L _{Center} (m)	L ₄₅ (m)
EAIRMMMA0	6.6x3x3.2	940	36	3-5	0.4	8	5
EAIRMMMA1	6.6x3.2x3	940	38	3-5	0.4	8	5

Infrared Receiver Module | Standard Burst | SMD



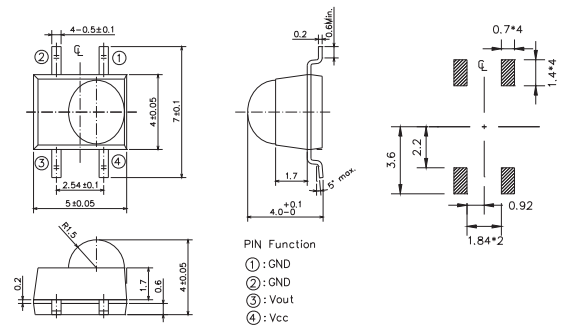
UNIT : mm



Product	Size (LxWxHmm)	λ_p (nm)	Carrier Freq. (KHz)	Supply Voltage (V)	I_{CC} Typ (mA)	L_{Center} (m)	L_{45} (m)
EAIRMJA0	6.6x3x3.2	940	36	3-5	0.4	8	5
EAIRMJA2	6.6x3x3.2	940	38	3-5	0.4	8	5



UNIT : mm



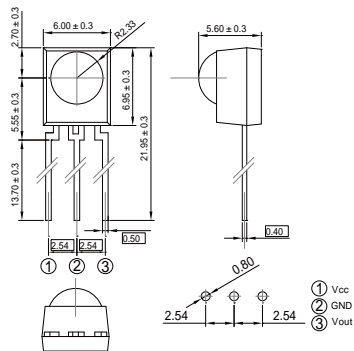
Product	Size (LxWxHmm)	λ_p (nm)	Carrier Freq. (KHz)	Supply Voltage (V)	I_{CC} Typ (mA)	L_{Center} (m)	L_{45} (m)
EAIRMIA1	5x4x4	940	38	3-5	0.4	8	5
EAIRMIA2	5x4x4	940	38	3-5	1	8	5

Infrared Receiver Module

Infrared Receiver Module | Width Band | DIP-Vo – GND – Vcc

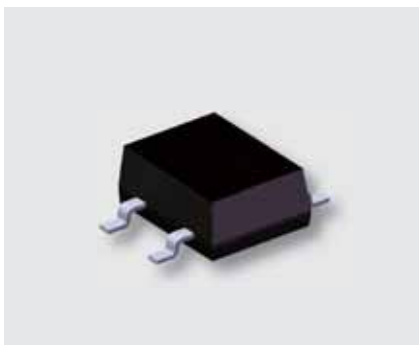


UNIT : mm

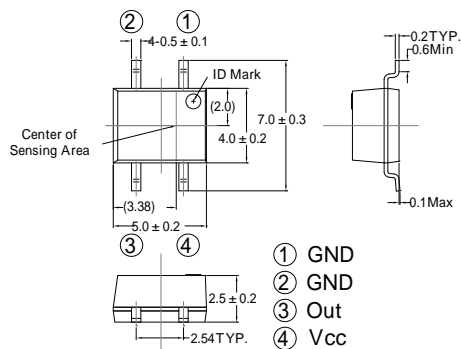


Product	Size (LxWxHmm)	λ_p (nm)	Carrier Freq. (KHz)	Supply Voltage (V)	I_{CC} Typ (mA)	L_{Center} (m)	L_{45} (m)
EAIRMAA0	8.25x6x5.6	940	30~56	2.5~5	1.2	14	6

Infrared Receiver Module | 3D



UNIT : mm

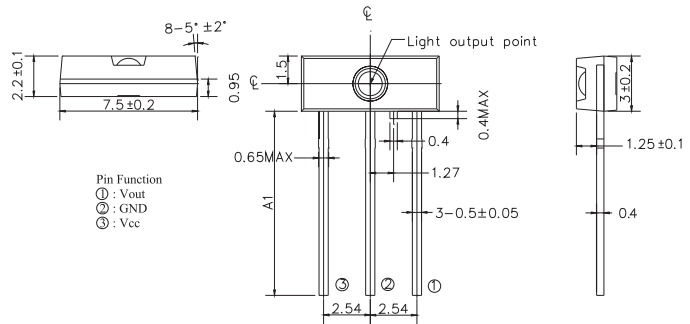


Product	Size (LxWxHmm)	λ_p (nm)	Carrier Freq. (KHz)	Supply Voltage (V)	I_{CC} Typ (mA)	L_{Center} (m)	L_{45} (m)
EAIRMKA0	5x4x2	850	20	2.5~5	0.6	8	5

Optic-Fiber Device (Photo Link) | Receiver (PLR) Component



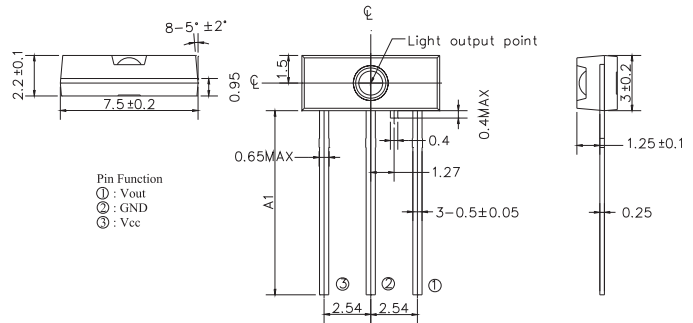
UNIT : mm



Product	Size (LxWxHmm)	Fiber Coupling Receiver Power_ Max (dBm)	Fiber Coupling Receiver Power_ Min (dBm)	Operation Voltage (V)	Plastic Holder	Trans - mission Speed (Mb/s)	L/F Thicknes (mm)
EAPLRAA0	7.5x3x2.2	-14	-27	2.4-5.5	None	16	0.4



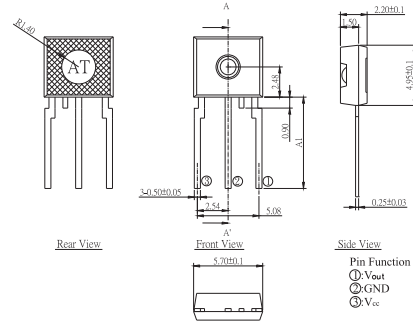
UNIT : mm



Product	Size (LxWxHmm)	Fiber Coupling Receiver Power_ Max (dBm)	Fiber Coupling Receiver Power_ Min (dBm)	Operation Voltage (V)	Plastic Holder	Trans - mission Speed (Mb/s)	L/F Thicknes (mm)
EAPLRAA8	7.5x3x2.2	-14	-27	2.4-5.5	None	16	0.25



UNIT : mm



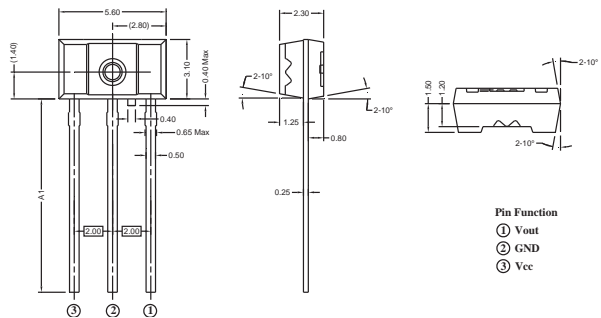
Product	Size (LxWxHmm)	Fiber Coupling Receiver Power_ Max (dBm)	Fiber Coupling Receiver Power_ Min (dBm)	Operation Voltage (V)	Plastic Holder	Trans - mission Speed (Mb/s)	L/F Thicknes (mm)
EAPLRAA9	5.7x4.95x2.2	-14	-27	2.4-5.5	None	16	0.25

Optic-Fiber Device (Photo Link)

Optic-Fiber Device (Photo Link) | Receiver (PLR) Component



UNIT : mm

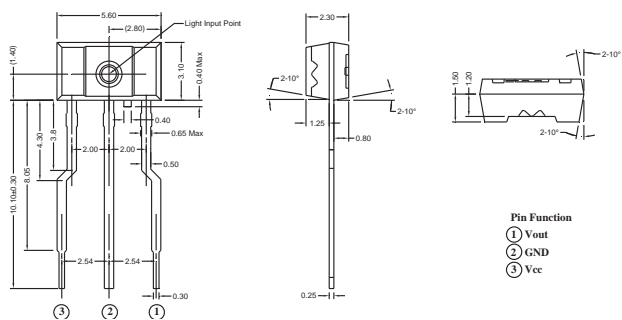


Pin Function
 ① Vout
 ② GND
 ③ Vcc

Product	Size (LxWxHmm)	Fiber Coupling Receiver Power_ Max (dBm)	Fiber Coupling Receiver Power_ Min (dBm)	Operation Voltage (V)	Plastic Holder	Trans - mission Speed (Mb/s)	L/F Thickness (mm)
EAPLRAB0	5.6x3.1x2.3	-14	-27	2.4~5.5	None	16	0.25



UNIT : mm

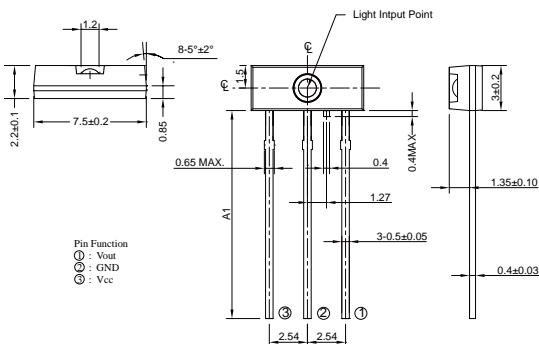


Pin Function
 ① Vout
 ② GND
 ③ Vcc

Product	Size (LxWxHmm)	Fiber Coupling Receiver Power_ Max (dBm)	Fiber Coupling Receiver Power_ Min (dBm)	Operation Voltage (V)	Plastic Holder	Trans - mission Speed (Mb/s)	L/F Thickness (mm)
EAPLRAB1	5.6x3.1x2.3	-14	-27	2.4~5.5	None	16	0.25



UNIT : mm



Pin Function
 ① : Vout
 ② : GND
 ③ : Vcc

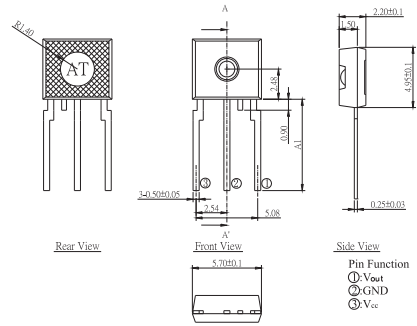
Product	Size (LxWxHmm)	Fiber Coupling Receiver Power_ Max (dBm)	Fiber Coupling Receiver Power_ Min (dBm)	Operation Voltage (V)	Plastic Holder	Trans - mission Speed (Mb/s)	L/F Thickness (mm)
EAPLRBA0	7.5x3x2.2	-14	-27	2.4~5.5	None	25	0.4

Optic-Fiber Device (Photo Link)

Optic-Fiber Device (Photo Link) | Receiver (PLR) Component



UNIT : mm



Product	Size (LxWxHmm)	Fiber Coupling Receiver Power_ Max (dBm)	Fiber Coupling Receiver Power_ Min (dBm)	Operation Voltage (V)	Plastic Holder	Trans - mission Speed (Mb/s)	L/F Thicknes (mm)
EAPLRBA3	5.7x4.95x2.2	-14	-27	2.4-5.5	None	25	0.25

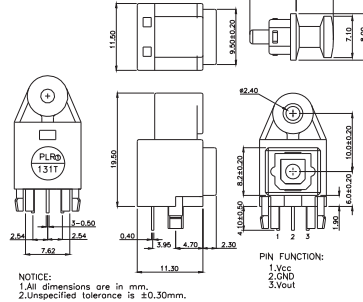
Optic-Fiber Device (Photo Link)

Optic-Fiber Device (Photo Link) | Receiver (PLR) Module

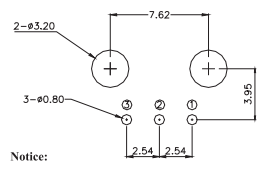


UNIT : mm

Package Dimensions



PCB Layout for Electrical Circuit



Notice:
1. Unit:mm
2. PCB tolerance:1.6mm

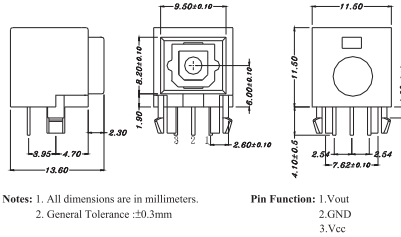
NOTICE:
1. All dimensions are in mm.
2. Unspecified tolerance is ±0.30mm.

Product	Size (LxWxHmm)	Fiber Coupling Receiver Power_ Max (dBm)	Fiber Coupling Receiver Power_ Min (dBm)	Operation Voltage (V)	Plastic Holder	Trans - mission Speed (Mb/s)	L/F Thickness (mm)
EAPLRAA1	11.5x13.6x19.5	-14	-27	2.4-5.5	Yes	16	0.4

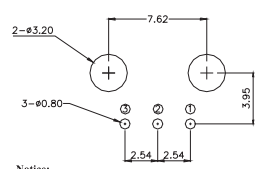


UNIT : mm

Package Dimensions



PCB Layout for Electrical Circuit



Notice:
1. Unit:mm
2. PCB tolerance:1.6mm

Notes: 1. All dimensions are in millimeters.
2. General Tolerance :±0.30mm

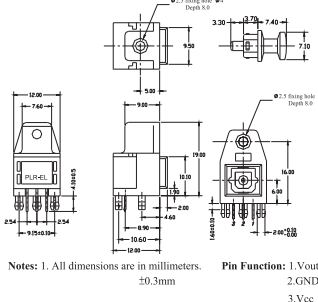
Pin Function: 1.Vcc
2.GND
3.Vcc

Product	Size (LxWxHmm)	Fiber Coupling Receiver Power_ Max (dBm)	Fiber Coupling Receiver Power_ Min (dBm)	Operation Voltage (V)	Plastic Holder	Trans - mission Speed (Mb/s)	L/F Thickness (mm)
EAPLRAA2	11.5x13.6x11.5	-14	-27	2.4-5.5	Yes	16	0.4

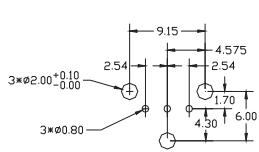


UNIT : mm

Package Dimensions



PCB Layout for Electrical Circuit



Notice:
1. Unit:mm
2. PCB tolerance:1.6mm

Notes: 1. All dimensions are in millimeters.
±0.3mm

Pin Function: 1.Vcc
2.GND
3.Vcc

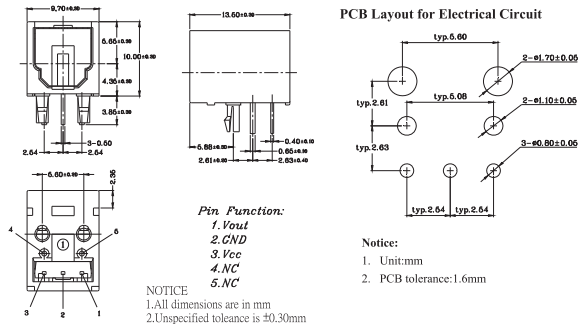
Product	Size (LxWxHmm)	Fiber Coupling Receiver Power_ Max (dBm)	Fiber Coupling Receiver Power_ Min (dBm)	Operation Voltage (V)	Plastic Holder	Trans - mission Speed (Mb/s)	L/F Thickness (mm)
EAPLRAA3	12x14x19	-14	-27	2.4-5.5	Yes	16	0.4

Optic-Fiber Device (Photo Link)

Optic-Fiber Device (Photo Link) | Receiver (PLR) Module



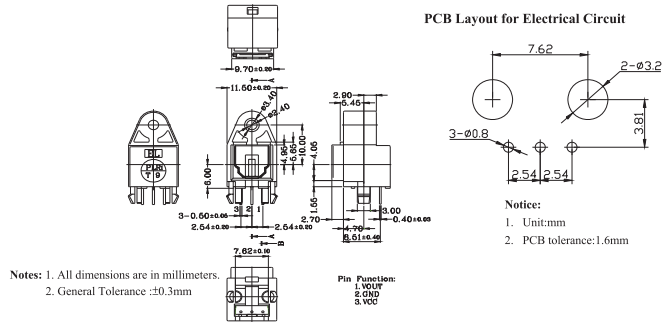
UNIT : mm



Product	Size (LxWxHmm)	Fiber Coupling Receiver Power_Max (dBm)	Fiber Coupling Receiver Power_Min (dBm)	Operation Voltage (V)	Plastic Holder	Trans - mission Speed (Mb/s)	L/F Thicknes (mm)
EAPLRAA6	9.7x13.5x10	-14	-27	2.4~5.5	Yes	16	0.4



UNIT : mm

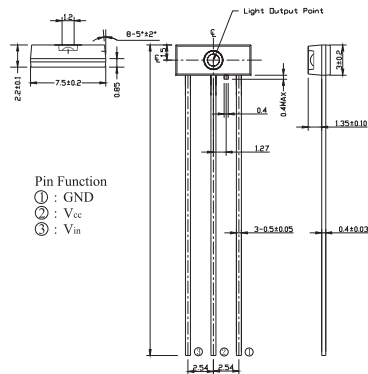


Product	Size (LxWxHmm)	Fiber Coupling Receiver Power_Max (dBm)	Fiber Coupling Receiver Power_Min (dBm)	Operation Voltage (V)	Plastic Holder	Trans - mission Speed (Mb/s)	L/F Thicknes (mm)
EAPLRAA7	11.5x14x20	-14	-27	2.4~5.5	Yes	16	0.4

Optic-Fiber Device (Photo Link) | Transmitter (PLT) Component



UNIT : mm

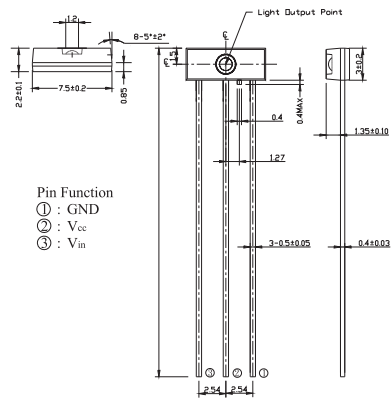


Product	Size (LxWxHmm)	Fiber Coupling Output Power_Max (dBm)	Fiber Coupling Output Power_Min (dBm)	Operation Voltage (V)	Plastic Holder	Trans - mission Speed (Mb/s)	L/F Thicknes (mm)
EAPLTA0	7.5x3x2.2	-15	-21	3~5	None	16	0.4

Optic-Fiber Device (Photo Link) | Transmitter (PLT) Component



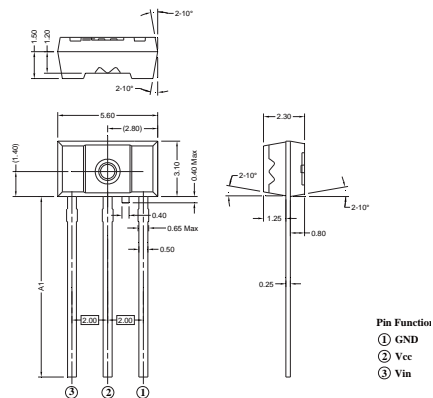
UNIT : mm



Product	Size (LxWxHmm)	Fiber Coupling Output Power_Max (dBm)	Fiber Coupling Output Power_Min (dBm)	Operation Voltage (V)	Plastic Holder	Trans - mission Speed (Mb/s)	L/F Thickness (mm)
EAPLTA1	7.5x3x2.2	-15	-21	3-5	None	16	0.4



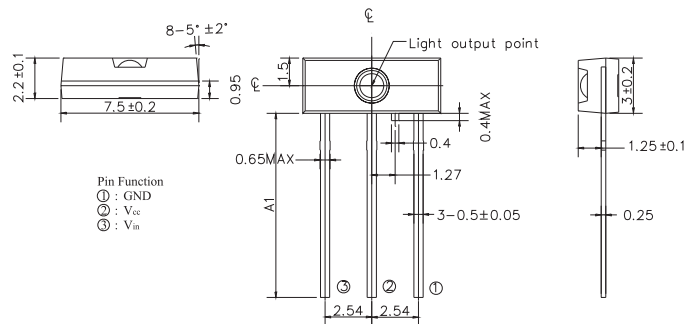
UNIT : mm



Product	Size (LxWxHmm)	Fiber Coupling Output Power_Max (dBm)	Fiber Coupling Output Power_Min (dBm)	Operation Voltage (V)	Plastic Holder	Trans - mission Speed (Mb/s)	L/F Thickness (mm)
EAPLTA2	5.6x3.1x2.3	-15	-21	3-5	None	25	0.25



UNIT : mm



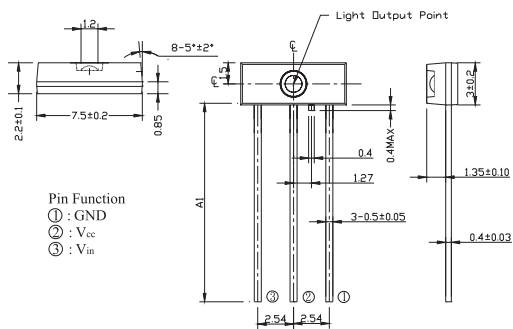
Product	Size (LxWxHmm)	Fiber Coupling Output Power_Max (dBm)	Fiber Coupling Output Power_Min (dBm)	Operation Voltage (V)	Plastic Holder	Trans - mission Speed (Mb/s)	L/F Thickness (mm)
EAPLTA8	7.5x3x2.2	-15	-21	3-5	None	16	0.25
EAPLTA1	7.5x3x2.2	-15	-21	3-5	None	25	0.25

Optic-Fiber Device (Photo Link)

Optic-Fiber Device (Photo Link) | Transmitter (PLT) Component



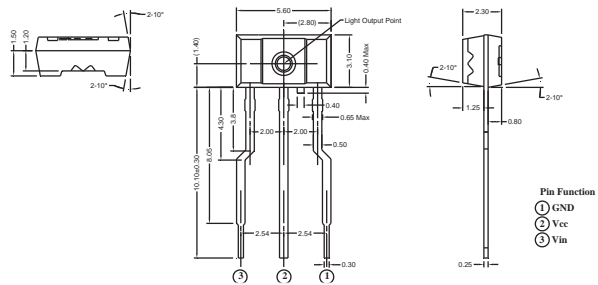
UNIT : mm



Product	Size (LxWxHmm)	Fiber Coupling Output Power_Max (dBm)	Fiber Coupling Output Power_Min (dBm)	Operation Voltage (V)	Plastic Holder	Trans - mission Speed (Mb/s)	L/F Thickness (mm)
EAPLTBA0	7.5x3x2.2	-15	-21	3-5	None	25	0.4



UNIT : mm



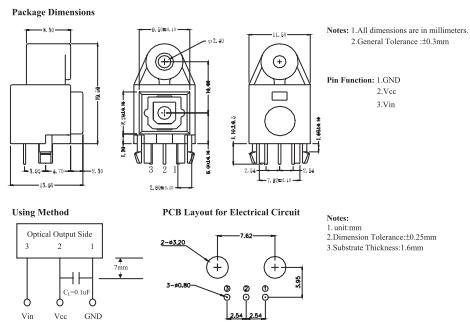
Product	Size (LxWxHmm)	Fiber Coupling Output Power_Max (dBm)	Fiber Coupling Output Power_Min (dBm)	Operation Voltage (V)	Plastic Holder	Trans - mission Speed (Mb/s)	L/F Thickness (mm)
EAPLTBA3	5.6x3.1x2.3	-15	-21	3-5	None	25	0.25

Optic-Fiber Device (Photo Link)

Optic-Fiber Device (Photo Link) | Transmitter (PLT) Module



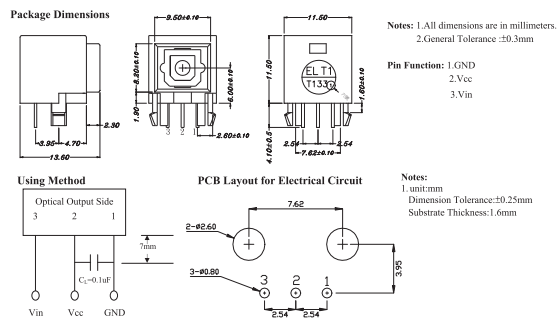
UNIT : mm



Product	Size (LxWxHmm)	Fiber Coupling Output Power_Max (dBm)	Fiber Coupling Output Power_Min (dBm)	Operation Voltage (V)	Plastic Holder	Trans - mission Speed (Mb/s)	L/F Thickness (mm)
EAPLTAA2	11.5x13.6x19.5	-15	-21	3~5	Yes	16	0.4



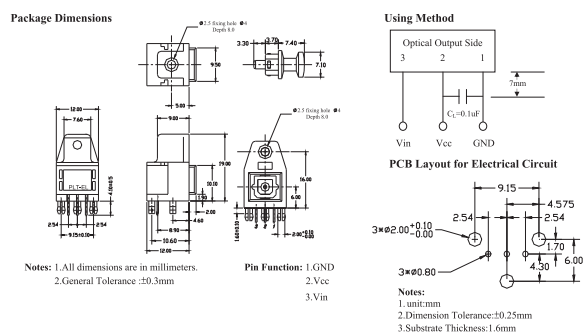
UNIT : mm



Product	Size (LxWxHmm)	Fiber Coupling Output Power_Max (dBm)	Fiber Coupling Output Power_Min (dBm)	Operation Voltage (V)	Plastic Holder	Trans - mission Speed (Mb/s)	L/F Thickness (mm)
EAPLTAA3	11.5x13.6x11.5	-15	-21	3~5	Yes	16	0.4



UNIT : mm



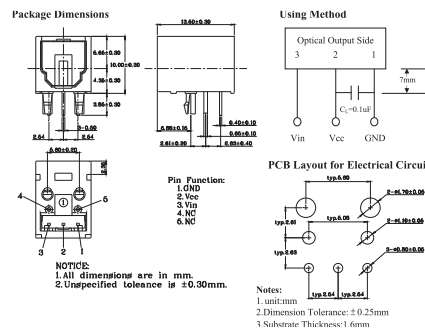
Product	Size (LxWxHmm)	Fiber Coupling Output Power_Max (dBm)	Fiber Coupling Output Power_Min (dBm)	Operation Voltage (V)	Plastic Holder	Trans - mission Speed (Mb/s)	L/F Thickness (mm)
EAPLTAA5	12x14x19	-15	-21	3~5	Yes	16	0.4

Optic-Fiber Device (Photo Link)

Optic-Fiber Device (Photo Link) | Transmitter (PLT) Module



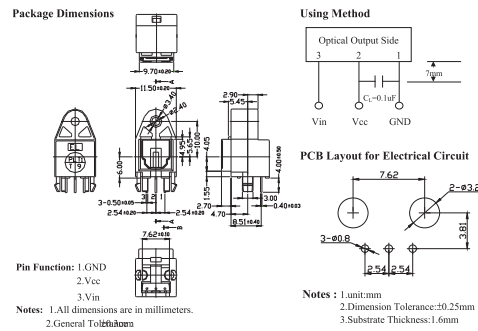
UNIT : mm



Product	Size (LxWxHmm)	Fiber Coupling Output Power_Max (dBm)	Fiber Coupling Output Power_Min (dBm)	Operation Voltage (V)	Plastic Holder	Trans - mission Speed (Mb/s)	L/F Thickness (mm)
EAPLTAA6	9.7x13.5x10	-15	-21	3~5	Yes	16	0.4



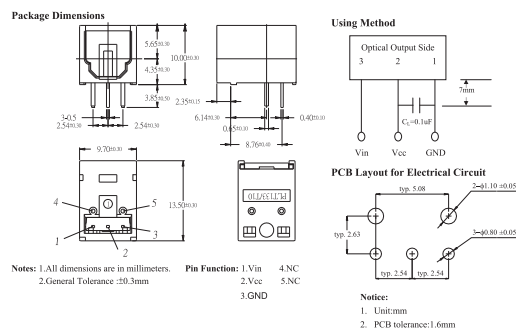
UNIT : mm



Product	Size (LxWxHmm)	Fiber Coupling Output Power_Max (dBm)	Fiber Coupling Output Power_Min (dBm)	Operation Voltage (V)	Plastic Holder	Trans - mission Speed (Mb/s)	L/F Thickness (mm)
EAPLTAA7	11.5x13.5x20	-15	-21	3~5	Yes	16	0.4



UNIT : mm



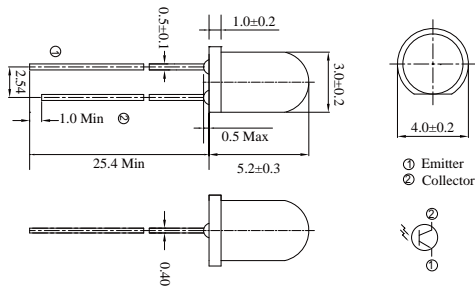
Product	Size (LxWxHmm)	Fiber Coupling Output Power_Max (dBm)	Fiber Coupling Output Power_Min (dBm)	Operation Voltage (V)	Plastic Holder	Trans - mission Speed (Mb/s)	L/F Thickness (mm)
EAPLTAA4	9.7x13.5x10	-15	-21	3~5	Yes	16	0.4

Optic-Fiber Device (Photo Link)

Optical Sensors | Ambient Light Sensor | Analog



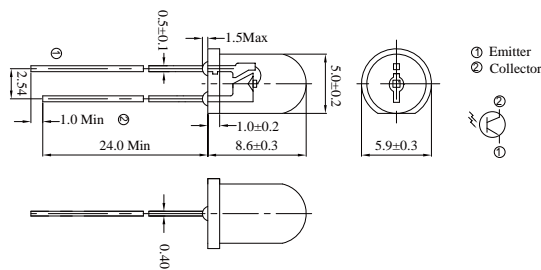
UNIT : mm



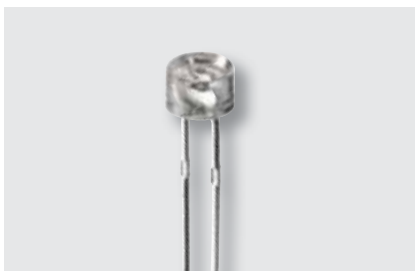
Product	Size (mm)	Supply Voltage (V)	Sensitivity λ_p (nm)	Range λ (nm)	Light current (uA) $E_v=100\text{lux}$	I_{D_Max} (μA)	Rise / Fall Time (μs)
EAALST03RDAA0	3	2.5-5.5	630	370-670	15-100	0.1	110 / 120



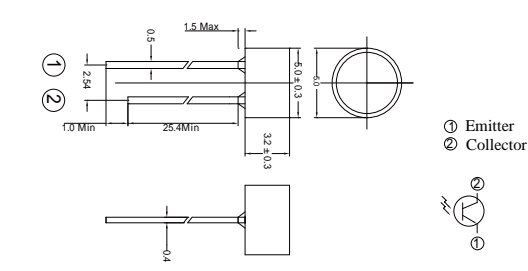
UNIT : mm



Product	Size (mm)	Supply Voltage (V)	Sensitivity λ_p (nm)	Range λ (nm)	Light current (uA) $E_v=100\text{lux}$	I_{D_Max} (μA)	Rise / Fall Time (μs)
EAALST05RDDA0	5	2.5-5.5	560	390-700	90-160	0.1	80 / 90



UNIT : mm

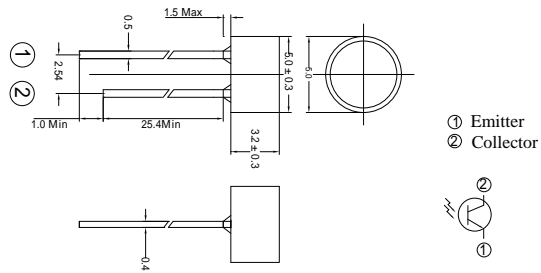


Product	Size (mm)	Supply Voltage (V)	Sensitivity λ_p (nm)	Range λ (nm)	Light current (uA) $E_v=100\text{lux}$	I_{D_Max} (μA)	Rise / Fall Time (μs)
EAALST05RDMA0	5	2.5-5.5	630	390-700	10	0.1	110 / 220

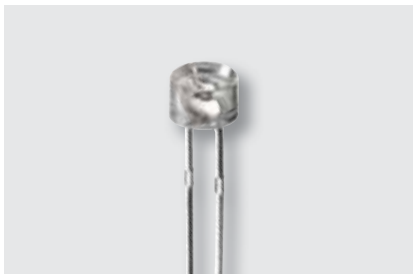
Optical Sensors | Ambient Light Sensor | Analog



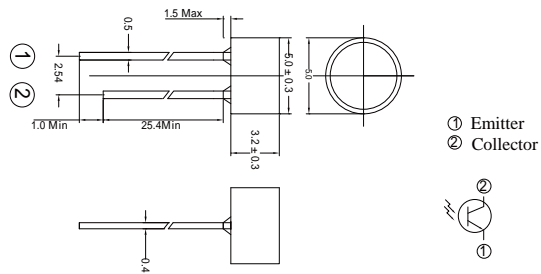
UNIT : mm



Product	Size (mm)	Supply Voltage (V)	Sensitivity λ_p (nm)	Range λ (nm)	Light current (μA) $E_v=100lux$	I_{D_Max} (μA)	Rise / Fall Time (μs)
EAALSIC05RDMA0	5	1.8~5.5	560	390~700	10~35	0.1	360 / 1130



UNIT : mm

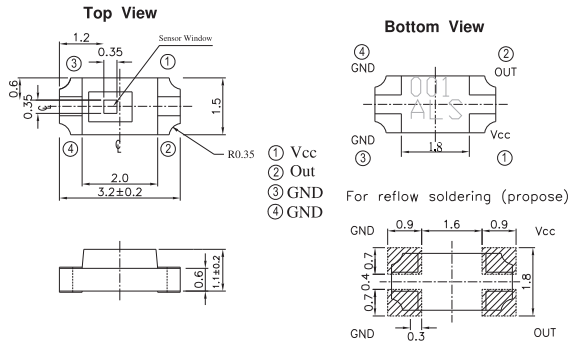


Product	Size (mm)	Supply Voltage (V)	Sensitivity λ_p (nm)	Range λ (nm)	Light current (μA) $E_v=100lux$	I_{D_Max} (μA)	Rise / Fall Time (μs)
EAALSIC05RDMA1	5	1.8~5.5	560	390~700	24~48	0.1	360 / 1130

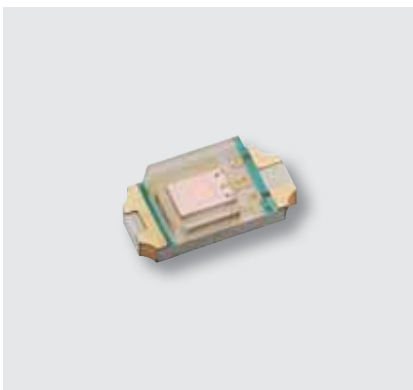
Optical Sensors | Ambient Light Sensor | Analog



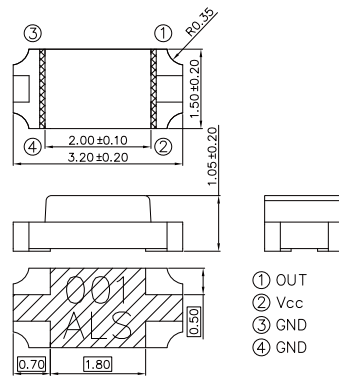
UNIT : mm



Product	Size (LxWxHmm)	Supply Voltage (V)	Sensitivity λ_p (nm)	Range λ (nm)	Light current (μA) $E_v=100lux$	I_{D_Max} (μA)	Rise / Fall Time (μs)
EAALSDIC3215A0	3.2x1.5x1.1	1.8-5.5	550	390-700	7.5	0.1	11 / 400



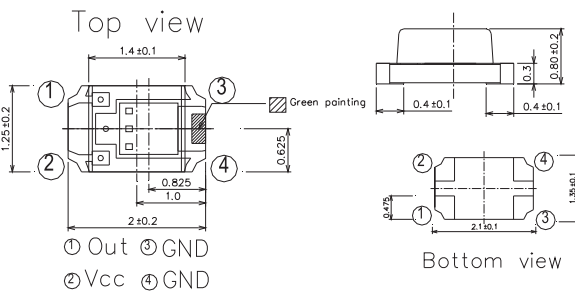
UNIT : mm



Product	Size (LxWxHmm)	Supply Voltage (V)	Sensitivity λ_p (nm)	Range λ (nm)	Light current (μA) $E_v=100lux$	I_{D_Max} (μA)	Rise / Fall Time (μs)
EAALSDIC3215A1	3.2x1.5x1.1	2.5-5.5	590	390-700	36-95	0.1	360 / 1130

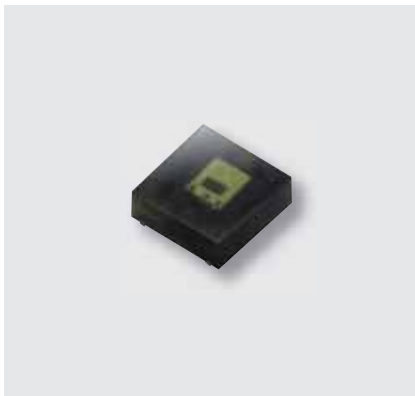


UNIT : mm

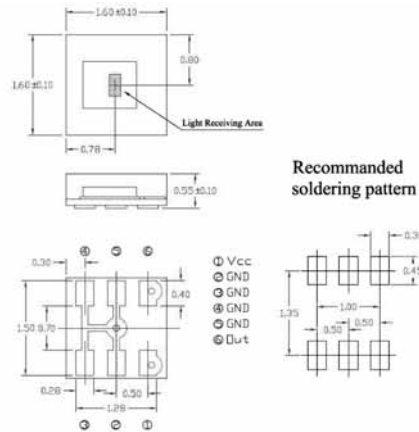


Product	Size (LxWxHmm)	Supply Voltage (V)	Sensitivity λ_p (nm)	Range λ (nm)	Light current (μA) $E_v=100lux$	I_{D_Max} (μA)	Rise / Fall Time (μs)
EAALSDIC2012A0	2x1.25x0.8	1.8-5.5	590	390-700	27-54	0.1	360 / 1130

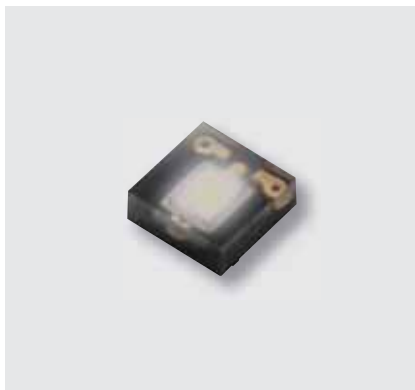
Optical Sensors | Ambient Light Sensor | Analog



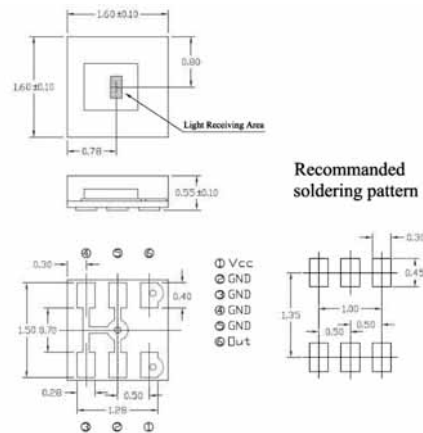
UNIT : mm



Product	Size (LxWxHmm)	Supply Voltage (V)	Sensitivity λ _p (nm)	Range λ (nm)	Light current (uA) Ev=100lux	I _{D_Max} (μA)	Rise / Fall Time (μs)
EAALSDIC2012A2	1.6x1.6x0.55	1.8~5.5	580	390~700	60	0.1	75 / 200



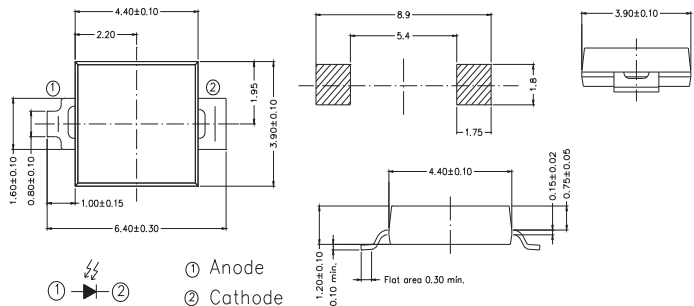
UNIT : mm



Product	Size (LxWxHmm)	Supply Voltage (V)	Sensitivity λ _p (nm)	Range λ (nm)	Light current (uA) Ev=100lux	I _{D_Max} (μA)	Rise / Fall Time (μs)
EAALSDIC2012A3	1.6x1.6x0.55	1.8~5.5	550	390~700	40	0.1	11 / 400



UNIT : mm

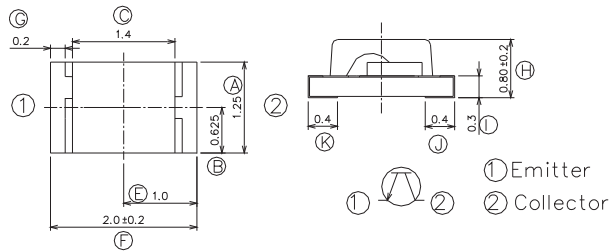


Product	Size (LxWxHmm)	Supply Voltage (V)	Sensitivity λ _p (nm)	Range λ (nm)	Light current (uA) Ev=100lux	I _{D_Max} (μA)	Rise / Fall Time (μs)
EAALSDSY6444A0	4.4x3.9x1.2	2.5~5.5	630	390~700	1.1	0.01	-- / --

Optical Sensors | Ambient Light Sensor | Analog



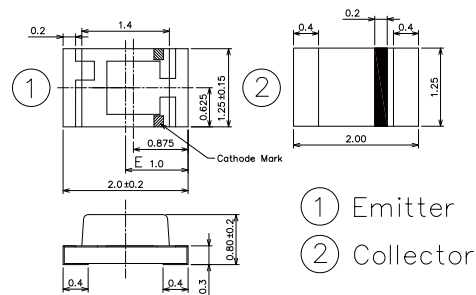
UNIT : mm



Product	Size (LxWxHmm)	Supply Voltage (V)	Sensitivity λ_p (nm)	Range λ (nm)	Light current (μA) $E_v=100lux$	I_{D_Max} (μA)	Rise / Fall Time (μs)
EAALSTIC2012A0	2x1.25x0.8	2.5-5.5	630	390-700	15	0.1	110 / 220



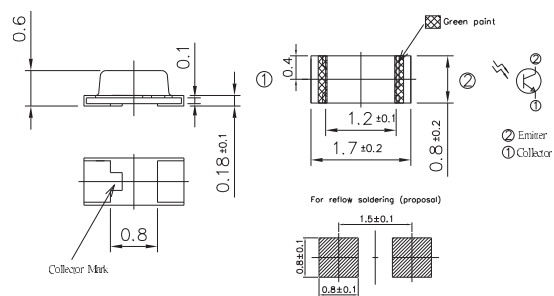
UNIT : mm



Product	Size (LxWxHmm)	Supply Voltage (V)	Sensitivity λ_p (nm)	Range λ (nm)	Light current (μA) $E_v=50lux$	I_{D_Max} (μA)	Rise / Fall Time (μs)
EAALSTIC2012A1	2x1.25x0.8	1.8-5.5	580	400-700	5.5	0.1	130 / 150



UNIT : mm

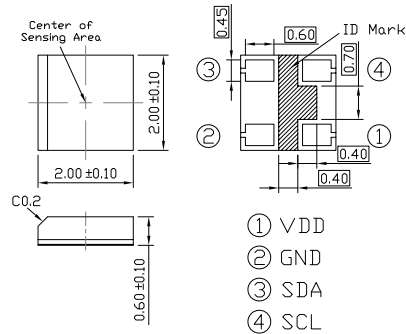


Product	Size (LxWxHmm)	Supply Voltage (V)	Sensitivity λ_p (nm)	Range λ (nm)	Light current (μA) $E_v=100lux$	I_{D_Max} (μA)	Rise / Fall Time (μs)
EAALSTIC1708A0	1.7x0.8x0.6	2.5-5.5	630	390-700	15	0.1	110 / 220

Optical Sensors | Ambient Light Sensor | Digital



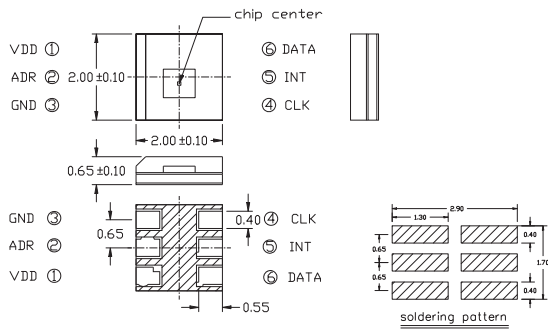
UNIT : mm



Product	Size (LxWxHmm)	Resolution (bit)	Interface	Peak sensitivity (nm)	Detection range (lux)
EAALSDIC2012A1	2x2x0.6	15	I ² C	580	88,000



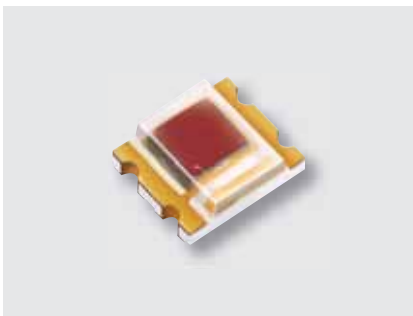
UNIT : mm



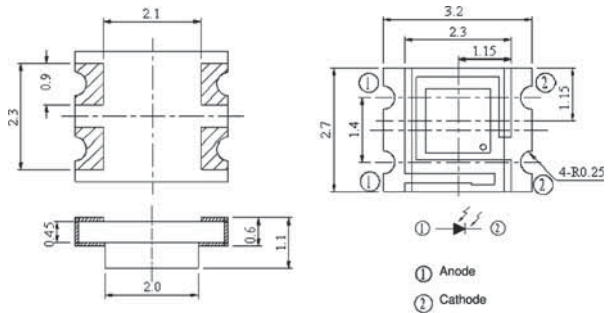
Product	Size (LxWxHmm)	Resolution (bit)	Interface	Peak sensitivity (nm)	Detection range (lux)
EAALSDIC2020A0	2x2x0.65	15	I ² C	550	88,000

Optical Sensors

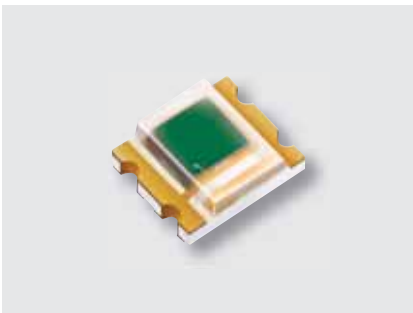
Optical Sensors | RGB Color Sensor | Single Color Sensor (Analog)



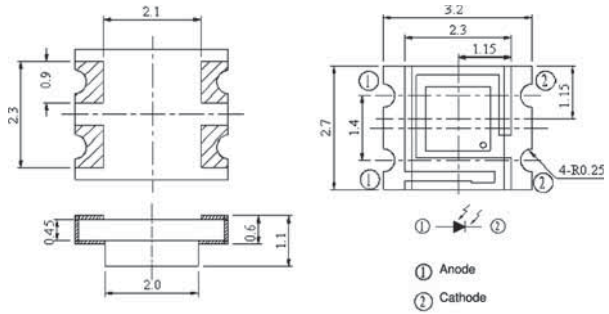
UNIT : mm



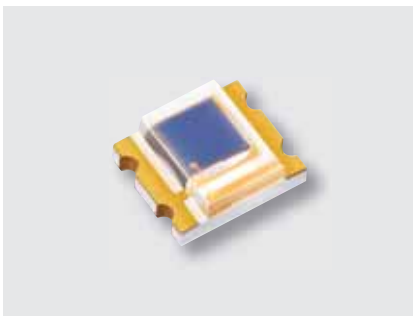
Product	Size (LxWxHmm)	Sensitivity λ_p (nm)	V_F (V)	Revers light current (Ee=100lux) / $IL^{(1)}$ (μA)	Revers light current (Ee=1000lux) $IL^{(2)}$ (μA)
EACLSST3227A2	3.2x2.7x1.1	620	0.5~1.3	0.091	0.83



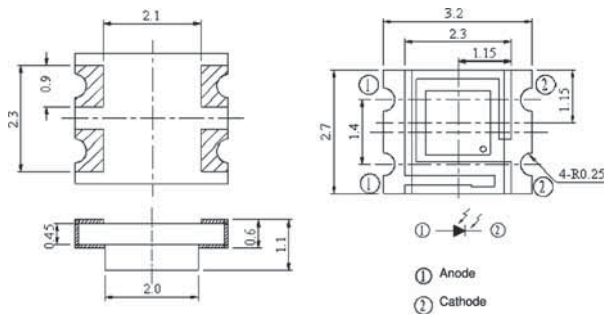
UNIT : mm



Product	Size (LxWxHmm)	Sensitivity λ_p (nm)	V_F (V)	Revers light current (Ee=100lux) / $IL^{(1)}$ (μA)	Revers light current (Ee=1000lux) $IL^{(2)}$ (μA)
EACLSST3227A1	3.2x2.7x1.1	550	0.5~1.3	0.082	0.72



UNIT : mm

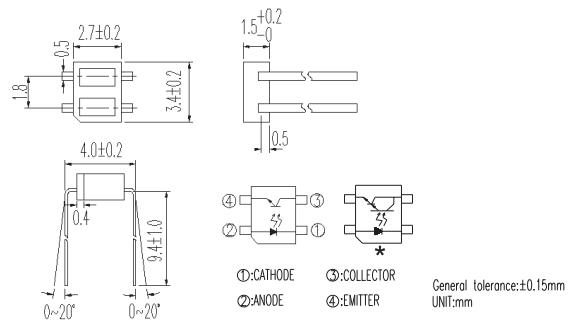


Product	Size (LxWxHmm)	Sensitivity λ_p (nm)	V_F (V)	Revers light current (Ee=100lux) / $IL^{(1)}$ (μA)	Revers light current (Ee=1000lux) $IL^{(2)}$ (μA)
EACLSST3227A0	3.2x2.7x1.1	470	0.5~1.3	0.046	0.39

Optical Sensors | Reflective Sensor



UNIT : mm

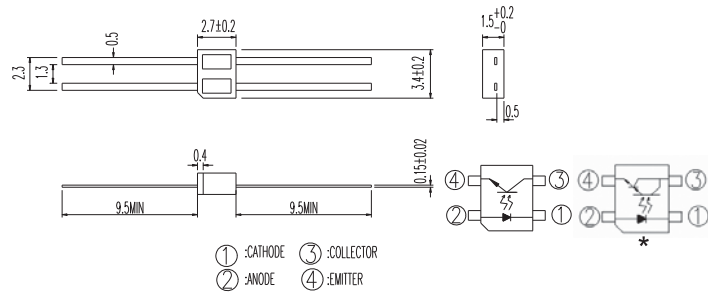


Product	Size (LxWxHmm)	V _{F_Typ} (V)	V _{F_Max} (V)	V _{CE(SAT)_Max} (V)	I _{C(ON)_Min} (mA)	I _{CEO_Max.} (nA)
EAITRCA5	3.4x2.7x1.5	1.2	1.6	0.4	0.1	100
*EAITRCA7	3.4x2.7x1.5	1.2	1.4	--	0.5	1000

Star mark * : Please refer to the schematic of Pin configuration with " * " mark.



UNIT : mm



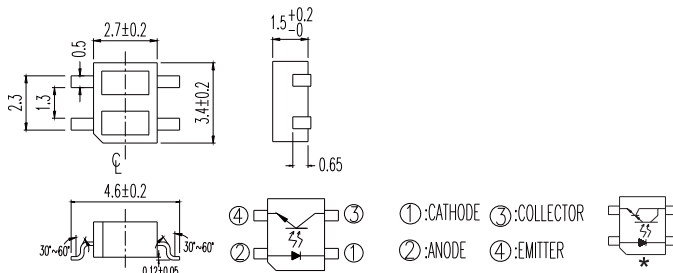
Product	Size (LxWxHmm)	V _{F_Typ} (V)	V _{F_Max} (V)	V _{CE(SAT)_Max} (V)	I _{C(ON)_Min} (mA)	I _{CEO_Max.} (nA)
EAITRCA4	3.4x2.7x1.5	1.2	1.6	0.4	0.1	100
*EAITRCA6	3.4x2.7x1.5	1.2	1.4	--	0.5	1000

Star mark * : Please refer to the schematic of Pin configuration with " * " mark.

Optical Sensors | Reflective Sensor



UNIT : mm

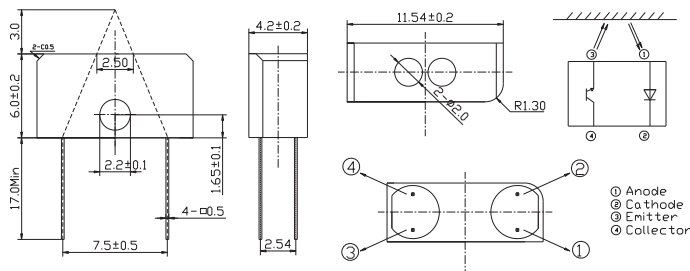


Product	Size (LxWxHmm)	V _{F_Typ} (V)	V _{F_Max} (V)	V _{CE(SAT)_Max} (V)	I _{C(ON)_Min} (mA)	I _{CEO_Max.} (nA)
*EAITRCA8	3.4x2.7x1.5	1.2	1.4	--	0.5	1000
EAITRCA9	3.4x2.7x1.5	1.2	1.6	0.4	0.1	100

Star mark * : Please refer to the schematic of Pin configuration with " * " mark.



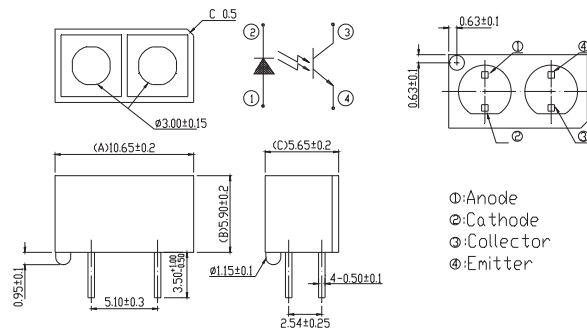
UNIT : mm



Product	Size (LxWxHmm)	V _{F_Typ} (V)	V _{F_Max} (V)	V _{CE(SAT)_Max} (V)	I _{C(ON)_Min} (mA)	I _{CEO_Max.} (nA)
EAITRDA6	11.54x4.2x6	1.2	1.5	0.4	0.1	100



UNIT : mm

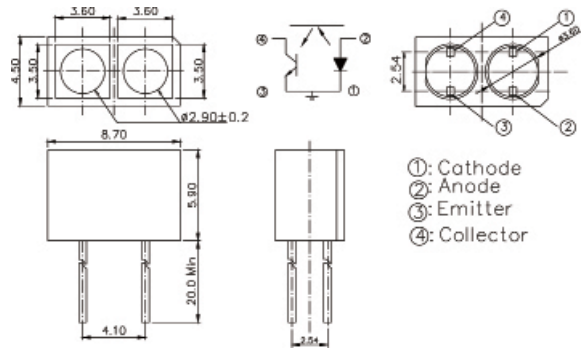


Product	Size (LxWxHmm)	V _{F_Typ} (V)	V _{F_Max} (V)	V _{CE(SAT)_Max} (V)	I _{C(ON)_Min} (mA)	I _{CEO_Max.} (nA)
EAITRDA7	10.65x5.65x5.9	1.2	1.5	0.4	0.5	100

Optical Sensors | Reflective Sensor



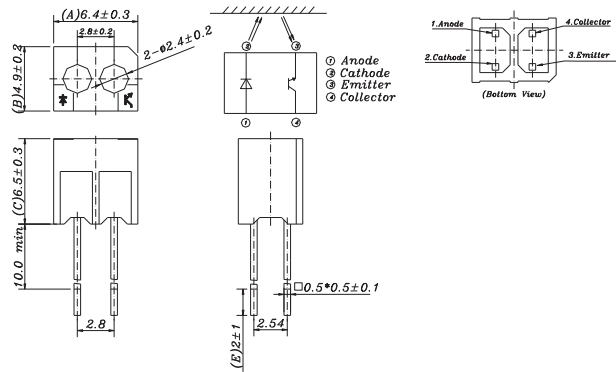
UNIT : mm



Product	Size (LxWxHmm)	V _{F_Typ} (V)	V _{F_Max} (V)	V _{CE(SAT)_Max} (V)	I _{C(ON)_Min} (mA)	I _{CEO_Max} (nA)
EAITRDA8	8.7x4.5x5.9	1.2	1.5	0.4	0.2	100



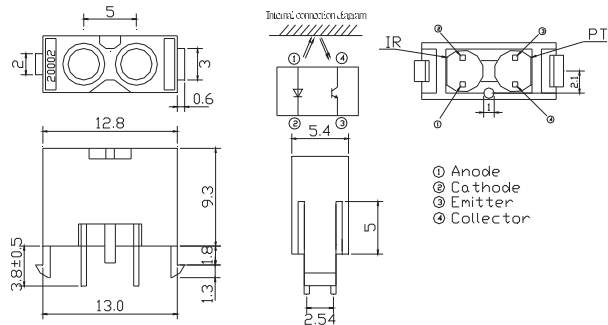
UNIT : mm



Product	Size (LxWxHmm)	V _{F_Typ} (V)	V _{F_Max} (V)	V _{CE(SAT)_Max} (V)	I _{C(ON)_Min} (mA)	I _{CEO_Max} (nA)
EAITRBA0	6.4x4.9x6.5	1.2	1.5	0.4	0.2	100



UNIT : mm



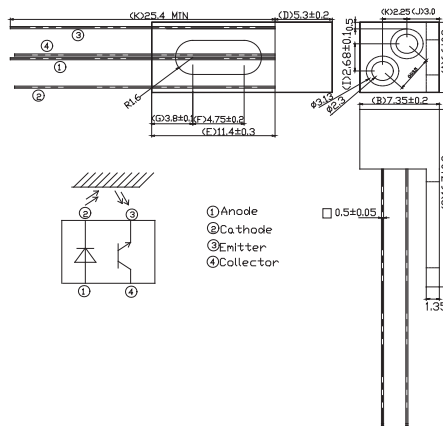
Product	Size (LxWxHmm)	V _{F_Typ} (V)	V _{F_Max} (V)	V _{CE(SAT)_Max} (V)	I _{C(ON)_Min} (mA)	I _{CEO_Max} (nA)
EAITRBA1	12.8x5.4x9.3	1.2	1.5	0.4	0.04	100

Optical Sensors

Optical Sensors | Reflective Sensor



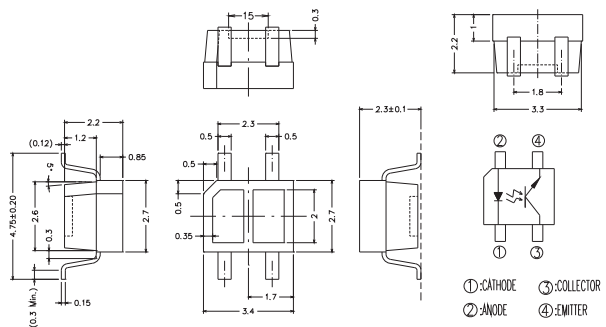
UNIT : mm



Product	Size (LxWxHmm)	V _{F_Typ} (V)	V _{F_Max} (V)	V _{CE(SAT)_Max} (V)	I _{C(ON)_Min} (mA)	I _{CEO_Max.} (nA)
EAITRBA5	7.35x6.6x5.3	1.2	1.5	0.4	0.02	100



UNIT : mm

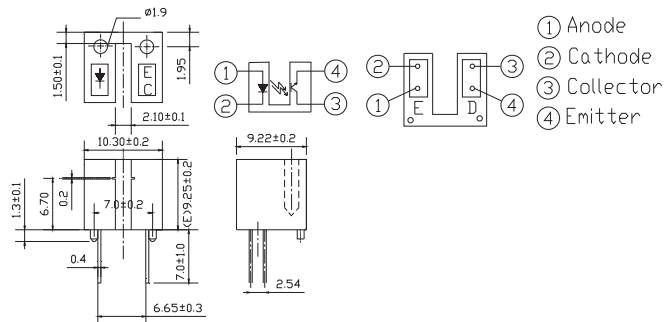


Product	Size (LxWxHmm)	V _{F_Typ} (V)	V _{F_Max} (V)	V _{CE(SAT)_Max} (V)	I _{C(ON)_Min} (mA)	I _{CEO_Max.} (nA)
EAITRBA6	3.4x2.7x2.2	1.2	1.6	0.4	0.1	100

Optical Sensors | Transmissive Sensor



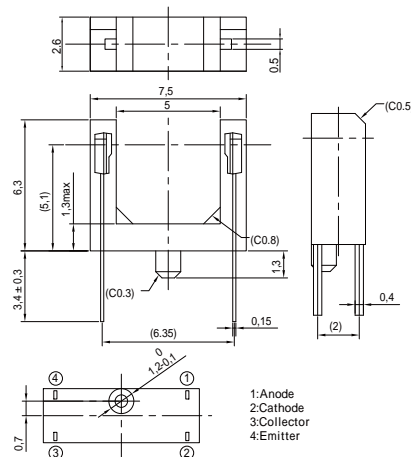
UNIT : mm



Product	Size (LxWxHmm)	V _{F_Typ} (V)	V _{F_Max} (V)	V _{CE(SAT)_Max} (V)	I _{C(ON)_Min} (mA)	I _{CEO_Max.} (nA)	Gap Distance (mm)
EAITRCA0	10.3x9.22x9.25	1.2	1.5	0.4	0.9	100	2.1



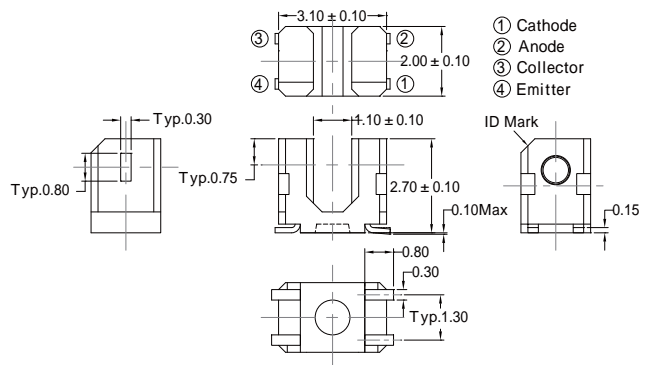
UNIT : mm



Product	Size (LxWxHmm)	V _{F_Typ} (V)	V _{F_Max} (V)	V _{CE(SAT)_Max} (V)	I _{C(ON)_Min} (mA)	I _{CEO_Max.} (nA)	Gap Distance (mm)
EAITRAA0	7.5x2.6x6.3	1.18	1.4	0.4	0.25	100	5



UNIT : mm



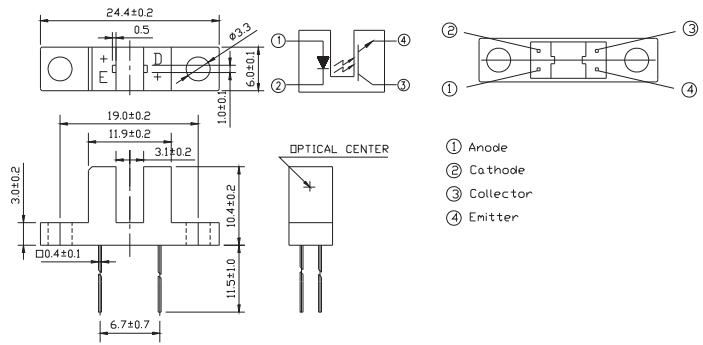
Product	Size (LxWxHmm)	V _{F_Typ} (V)	V _{F_Max} (V)	V _{CE(SAT)_Max} (V)	I _{C(ON)_Min} (mA)	I _{CEO_Max.} (nA)	Gap Distance (mm)
EAITRAA1	3.1x2x2.7	1.2	1.4	0.4	0.15	100	1.1

Optical Sensors

Optical Sensors | Transmissive Sensor



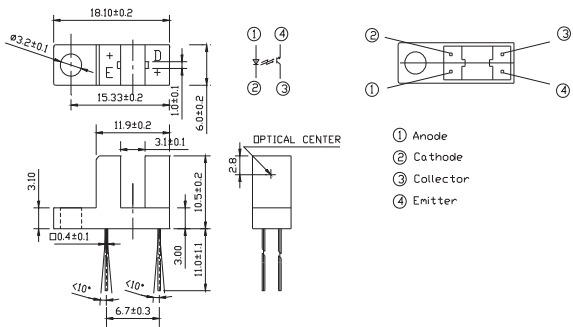
UNIT : mm



Product	Size (LxWxHmm)	V _{F_Typ} (V)	V _{F_Max} (V)	V _{CE(SAT)_Max} (V)	I _{C(ON)_Min} (mA)	I _{CEO_Max.} (nA)	Gap Distance (mm)
EAITRCA1	24.4x6x10.4	1.2	1.5	0.4	0.9	100	3

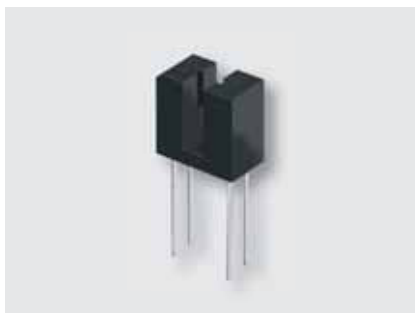


UNIT : mm

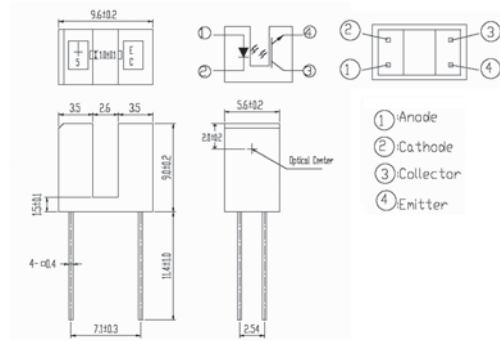


Product	Size (LxWxHmm)	V _{F_Typ} (V)	V _{F_Max} (V)	V _{CE(SAT)_Max} (V)	I _{C(ON)_Min} (mA)	I _{CEO_Max.} (nA)	Gap Distance (mm)
EAITRCA2	18.1x6x10.5	1.2	1.5	0.4	0.9	100	3

Optical Sensors | Transmissive Sensor



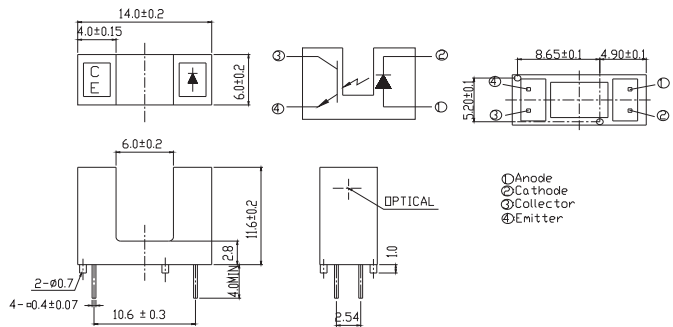
UNIT : mm



Product	Size (LxWxHmm)	V _{F_Typ} (V)	V _{F_Max} (V)	V _{CE(SAT)_Max} (V)	I _{C(ON)_Min} (mA)	I _{CEO_Max.} (nA)	Gap Distance (mm)
EAITRCA3	9.6x5.6x9	1.2	1.6	0.4	1	100	2.6



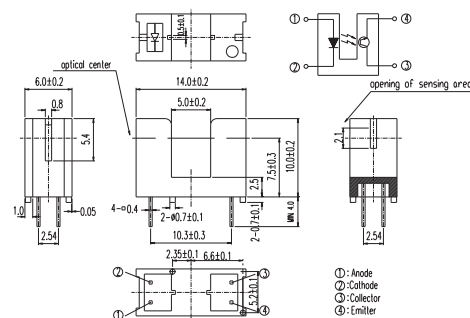
UNIT : mm



Product	Size (LxWxHmm)	V _{F_Typ} (V)	V _{F_Max} (V)	V _{CE(SAT)_Max} (V)	I _{C(ON)_Min} (mA)	I _{CEO_Max.} (nA)	Gap Distance (mm)
EAITRCB0	14.0x6x11.6	1.2	1.5	0.4	0.5	100	6



UNIT : mm



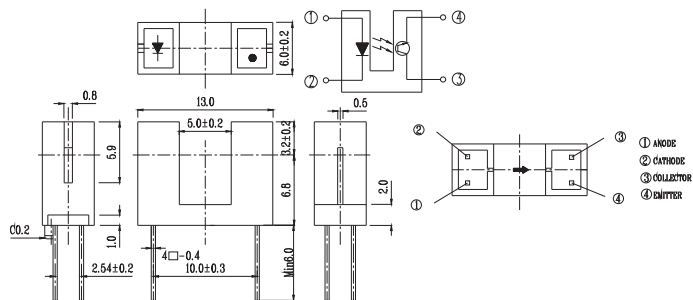
Product	Size (LxWxHmm)	V _{F_Typ} (V)	V _{F_Max} (V)	V _{CE(SAT)_Max} (V)	I _{C(ON)_Min} (mA)	I _{CEO_Max.} (nA)	Gap Distance (mm)
EAITRDA0	14x6x10	1.2	1.5	0.4	0.5	100	5

Optical Sensors

Optical Sensors | Transmissive Sensor



UNIT : mm



Product	Size (LxWxHmm)	V _{F_Typ} (V)	V _{F_Max} (V)	V _{CE(SAT)_Max} (V)	I _{C(ON)_Min} (mA)	I _{CEO_Max.} (nA)	Gap Distance (mm)
EAITRDA1	13x6x10	1.2	1.5	0.4	0.5	100	5



UNIT : mm

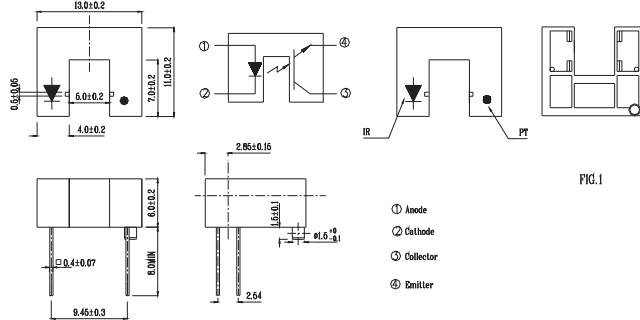
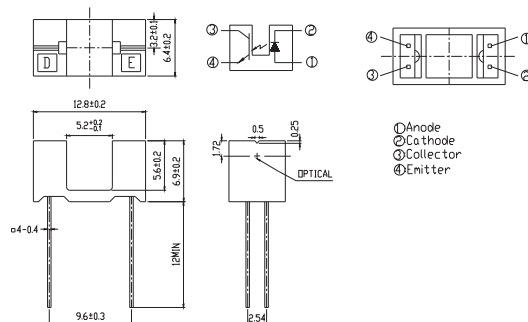


FIG.1

Product	Size (LxWxHmm)	V _{F_Typ} (V)	V _{F_Max} (V)	V _{CE(SAT)_Max} (V)	I _{C(ON)_Min} (mA)	I _{CEO_Max.} (nA)	Gap Distance (mm)
EAITRDA2	13x11x6	1.2	1.5	0.4	0.5	100	4

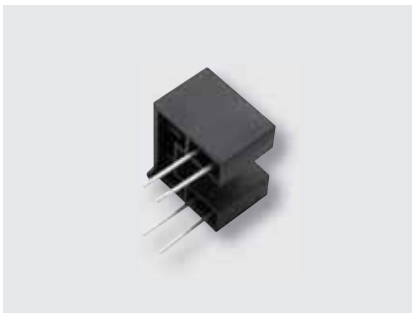


UNIT : mm

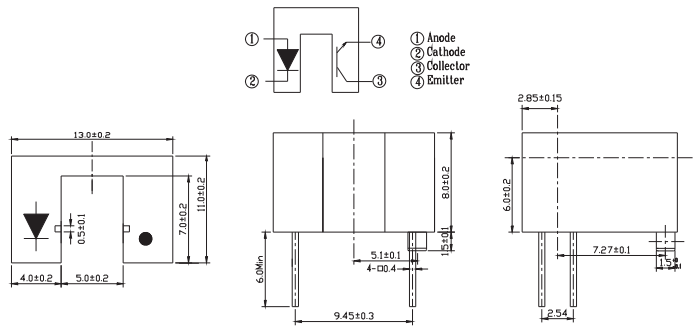


Product	Size (LxWxHmm)	V _{F_Typ} (V)	V _{F_Max} (V)	V _{CE(SAT)_Max} (V)	I _{C(ON)_Min} (mA)	I _{CEO_Max.} (nA)	Gap Distance (mm)
EAITRDA3	12.8x6.4x6.9	1.2	1.5	0.4	0.5	100	5.2

Optical Sensors | Transmissive Sensor



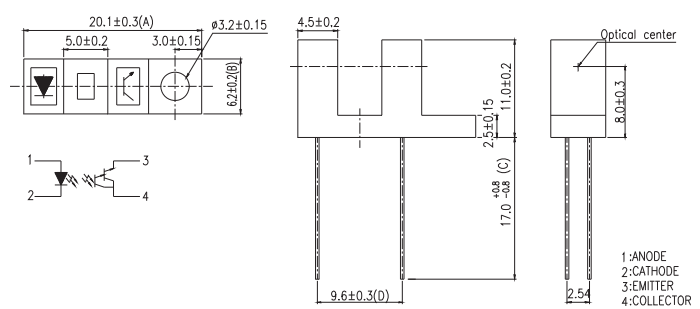
UNIT : mm



Product	Size (LxWxHmm)	V _{F_Typ} (V)	V _{F_Max} (V)	V _{CE(SAT)_Max} (V)	I _{C(ON)_Min} (mA)	I _{CEO_Max.} (nA)	Gap Distance (mm)
EAITRDA4	13x11x8	1.2	1.5	0.4	1	100	5



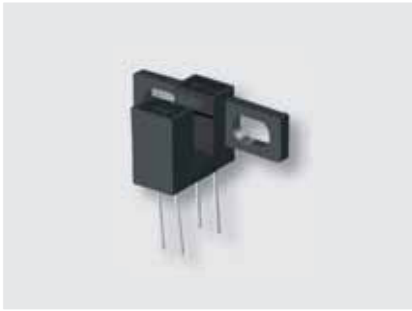
UNIT : mm



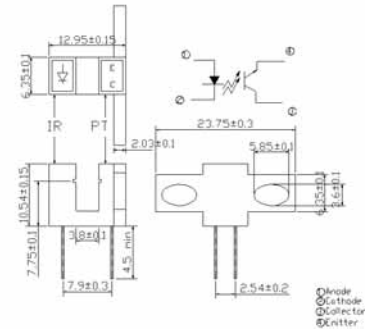
Product	Size (LxWxHmm)	V _{F_Typ} (V)	V _{F_Max} (V)	V _{CE(SAT)_Max} (V)	I _{C(ON)_Min} (mA)	I _{CEO_Max.} (nA)	Gap Distance (mm)
EAITRDA5	20.1x6.2x11	1.2	1.5	0.4	0.5	100	5

Optical Sensors

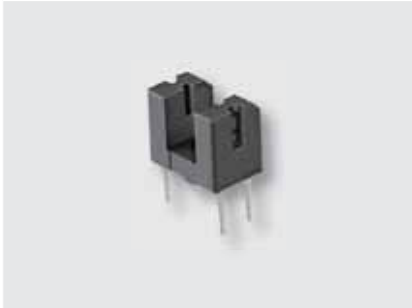
Optical Sensors | Transmissive Sensor



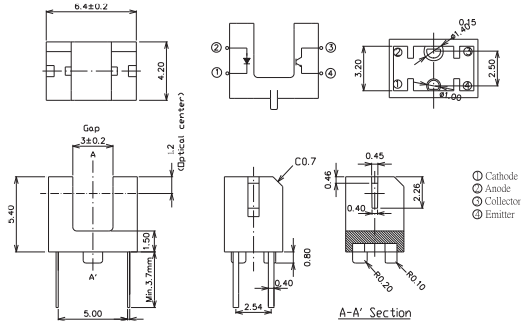
UNIT : mm



Product	Size (LxWxHmm)	V _{F_Typ} (V)	V _{F_Max} (V)	V _{CE(SAT)_Max} (V)	I _{C(ON)_Min} (mA)	I _{CEO_Max.} (nA)	Gap Distance (mm)
EAITRBA2	23.7x13x10.5	1.2	1.5	0.4	0.6	100	3.8



UNIT : mm

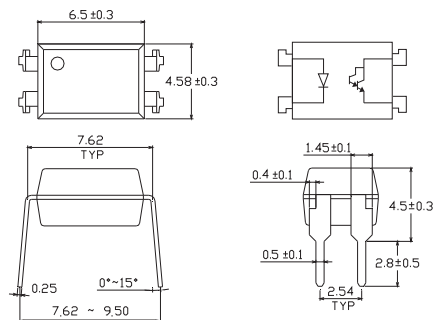


Product	Size (LxWxHmm)	V _{F_Typ} (V)	V _{F_Max} (V)	V _{CE(SAT)_Max} (V)	I _{C(ON)_Min} (mA)	I _{CEO_Max.} (nA)	Gap Distance (mm)
EAITRBA4	6.4x4.2x5.4	1.2	1.6	0.4	0.2	100	3

Photo Coupler | Darlington Transistor | 4Pin DIP-DC



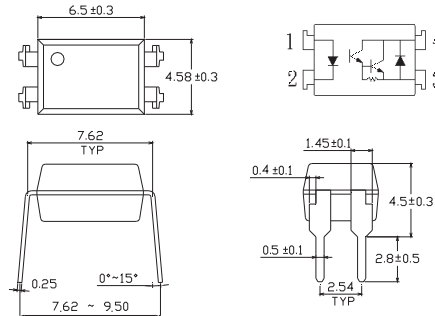
UNIT : mm



Product	Size (LxWxHmm)	V _{F_Typ} (V)	Rise / Fall Time (μs)	BV _{CEO_Min} (V)	CTR (%)	Viso (V _{rms})	V _{CE(SAT)_Max} (V)
EL815	6.5x4.58x3.5	1.2	60 / 53	35	600~7500	5000	1



UNIT : mm

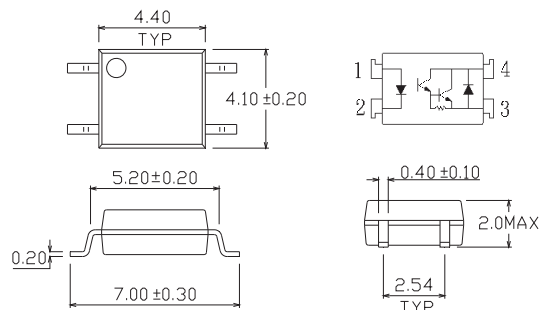


Product	Size (LxWxHmm)	V _{F_Typ} (V)	Rise / Fall Time (μs)	BV _{CEO_Min} (V)	CTR (%)	Viso (V _{rms})	V _{CE(SAT)_Max} (V)
EL852	6.5x4.58x3.5	1.2	300 / 100	350	1000~15000	5000	1.2

Photo Coupler | Darlington Transistor | 4Pin SOP-DC



UNIT : mm

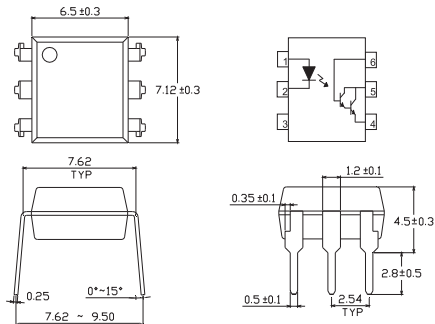


Product	Size (LxWxHmm)	V _{F_Typ} (V)	Rise / Fall Time (μs)	BV _{CEO_Min} (V)	CTR (%)	Viso (V _{rms})	V _{CE(SAT)_Max} (V)
EL452-G	4.4x4.1x2	1.2	300 / 100	350	1000 min.	3750	1.5

Photo Coupler | Darlington Transistor | 6Pin DIP-DC



UNIT : mm

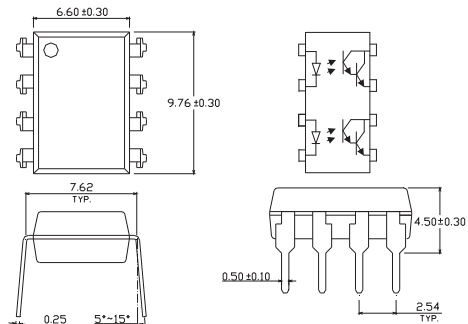


Product	Size (LxWxHmm)	V_F _Typ (V)	Rise / Fall Time (μ s)	BV_{CE0_Min} (V)	CTR (%)	Viso (V_{rms})	$V_{CE(SAT)_Max}$ (V)
4N29	7.12x6.5x3.5	1.2	5 / 40	55	100 min.	5000	1
4N30	7.12x6.5x3.5	1.2	5 / 40	55	100 min.	5000	1
4N31	7.12x6.5x3.5	1.2	5 / 40	55	50 min.	5000	1.2
4N32	7.12x6.5x3.5	1.2	5 / 100	55	500 min.	5000	1
4N33	7.12x6.5x3.5	1.2	5 / 100	55	500 min.	5000	1
H11B1	7.12x6.5x3.5	1.2	25 / 18	55	500 min.	5000	1
H11B2	7.12x6.5x3.5	1.2	25 / 18	55	200 min.	5000	1
H11B3	7.12x6.5x3.5	1.2	25 / 18	55	100 min.	5000	1
H11B255	7.12x6.5x3.5	1.2	25 / 18	55	100 min.	5000	1
TIL113	7.12x6.5x3.5	1.2	5 / 100	55	300 min.	5000	1.2

Photo Coupler | Darlington Transistor | 8Pin DIP-DC



UNIT : mm

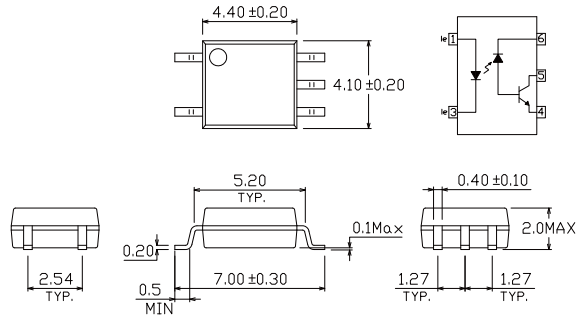


Product	Size (LxWxHmm)	V_F _Typ (V)	Rise / Fall Time (μ s)	BV_{CE0_Min} (V)	CTR (%)	Viso (V_{rms})	$V_{CE(SAT)_Max}$ (V)
EL825	9.76x6.6x3.5	1.2	60 / 53	40	600~7500	5000	1

Photo Coupler | High Speed | 5Pin SOP



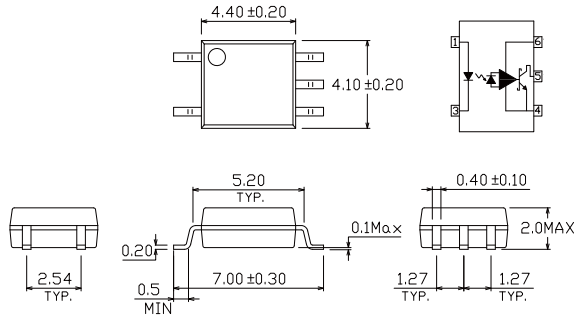
UNIT : mm



Product	Size (LxWxHmm)	tPHL / tPLH (ns)	Supply Voltage (V)	CTR (%)	Viso (V _{rms})	CMR (V/us)	I _O (mA)
ELM452	4.4x4.1x2	800 / 800	30 max.	20~50	3750	5000	8 max.
ELM453	4.4x4.1x2	800 / 800	30 max.	20~50	3750	15000	8 max.
ELM453L	4.4x4.1x2	800 / 800	30	20~50	3750	15000	8 max



UNIT : mm

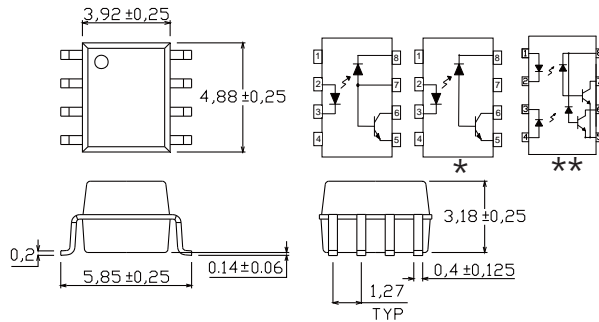


Product	Size (LxWxHmm)	tPHL / tPLH (ns)	Supply Voltage (V)	I _{FT} (mA)	Viso (V _{rms})	CMR (V/us)	I _O (mA)
ELM600	4.4x4.1x2	100 / 100	7 max.	5	3750	-	50 max.
ELM601	4.4x4.1x2	100 / 100	7 max.	5	3750	5000	50 max.
ELM611	4.4x4.1x2	100 / 100	7 max.	5	3750	20000	50 max.

Photo Coupler | High Speed | 8Pin SOP



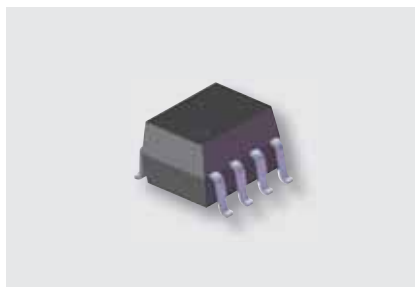
UNIT : mm



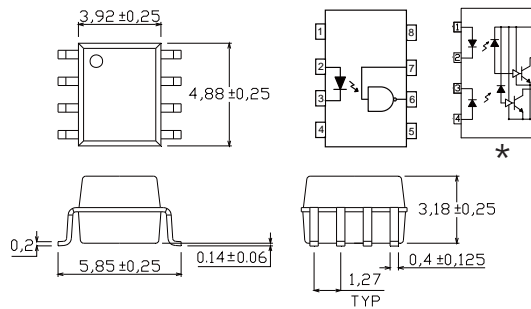
Product	Size (LxWxHmm)	tPHL / tPLH (ns)	Supply Voltage (V)	CTR (%)	Viso (V _{rms})	CMR (V/us)	I _O (mA)
*EL0452	4.88x3.92x3.18	1000 / 1000	30 max.	19~50	3750	1000	8 max.
*EL0453	4.88x3.92x3.18	1000 / 1000	30 max.	19~50	3750	15000	8 max.
EL0500	4.88x3.92x3.18	2000 / 2000	30 max.	7~50	3750	1000	8 max.
EL0501	4.88x3.92x3.18	1000 / 1000	30 max.	19~50	3750	1000	8 max.
EL050L	4.88x3.92x3.18	800 / 800	30 max.	20~50	3750	15000	8 max.
**EL0530	4.88x3.92x3.18	2000 / 2000	30 max.	7~50	3750	1000	8 max.
**EL0531	4.88x3.92x3.18	1000 / 1000	30 max.	19~50	3750	1000	8 max.

Star mark * : Please refer to the schematic of Pin configuration with " * * * ** "mark

Photo Coupler



UNIT : mm



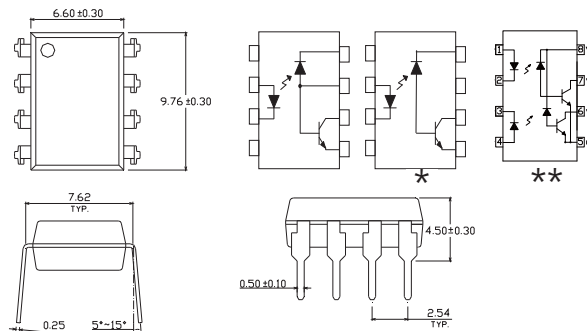
Product	Size (LxWxHmm)	tPHL / tPLH (ns)	Supply Voltage (V)	I _{FT} (mA)	Viso (V _{rms})	CMR (V/us)	I _O (mA)
EL0600	4.88x3.92x3.18	75 / 75	7 max.	5	3750	--	50 max.
EL0601	4.88x3.92x3.18	75 / 75	7 max.	5	3750	5000	50 max.
EL0611	4.88x3.92x3.18	75 / 75	7 max.	5	3750	10000	50 max.
EL060L	4.88x3.92x3.18	75 / 75	7 max.	5	3750	10000	50 max.
*EL0630	4.88x3.92x3.18	100 / 100	7 max.	5	3750	5000	50 max.
*EL0631	4.88x3.92x3.18	100 / 100	7 max.	5	3750	10000	50 max.

Star mark * : Please refer to the schematic of Pin configuration with " * " mark

Photo Coupler | High Speed | 8Pin DIP



UNIT : mm

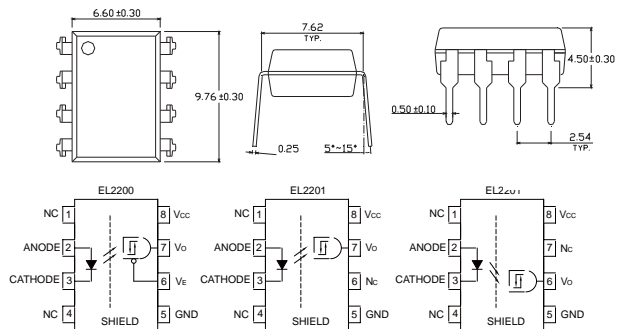


Product	Size (LxWxHmm)	tPHL / tPLH (ns)	Supply Voltage (V)	CTR (%)	Viso (V _{rms})	CMR (V/us)	I _O (mA)
6N135	9.76x6.6x3.5	2000 / 2000	30 max.	7~50	5000	1000	8 max.
6N136	9.76x6.6x3.5	1000 / 1000	30 max.	19~50	5000	1000	8 max.
EL250L	9.76x6.6x3.5	1000 / 1000	30 max.	15~50	5000	15000	8 max
*EL4502	9.76x6.6x3.5	1000 / 1000	30 max.	19~50	5000	1000	8 max.
*EL4503	9.76x6.6x3.5	1000 / 1000	30 max.	19~50	5000	15000	8 max.
*EL4504	9.76x6.6x3.5	400 / 400	30 max.	25~60	5000	15000	8 max.
**EL2530	9.76x6.6x3.5	2000 / 2000	30 max.	7~50	5000	1000	8 max.
**EL2531	9.76x6.6x3.5	1000 / 1000	30 max.	19~50	5000	1000	8 max.

Star mark * : Please refer to the schematic of Pin configuration with " * * * * " mark



UNIT : mm

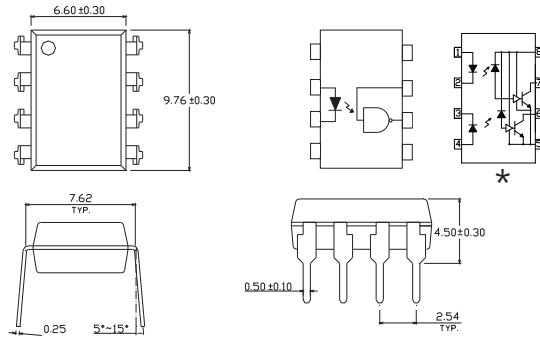


Product	Size (LxWxHmm)	tPHL / tPLH (ns)	Supply Voltage (V)	I _{FT} (mA)	Viso (V _{rms})	CMR (V/us)	I _O (mA)
EL2200	9.76x6.6x3.5	300 / 300	20 max	1.6	5000	1000	25 max
EL2201	9.76x6.6x3.5	300 / 300	20 max	1.6	5000	1000	25 max
EL2202	9.76x6.6x3.5	300 / 300	20 max	1.6	5000	1000	25 max

Photo Coupler | High Speed | 8Pin DIP



UNIT : mm



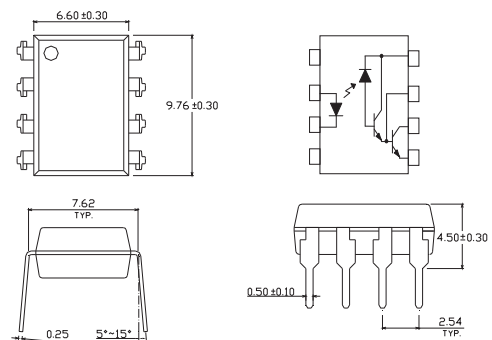
Product	Size (LxWxHmm)	tPHL / tPLH (ns)	Supply Voltage (V)	I _{FT} (mA)	Viso (V _{rms})	CMR (V/us)	I _O (mA)
6N137	9.76x6.6x3.5	75 / 75	7 max.	5	5000	-	50 max.
EL2601	9.76x6.6x3.5	75 / 75	7 max.	5	5000	5000	50 max.
EL2611	9.76x6.6x3.5	75 / 75	7 max.	5	5000	10000	50 max.
EL260L	9.76x6.6x3.5	75 / 75	7 max.	5	5000	10000	50 max.
*EL2630	9.76x6.6x3.5	100 / 100	7 max.	5	5000	5000	50 max.
*EL2631	9.76x6.6x3.5	100 / 100	7 max.	5	5000	10000	50 max.

Star mark * : Please refer to the schematic of Pin configuration with " * " mark

Photo Coupler

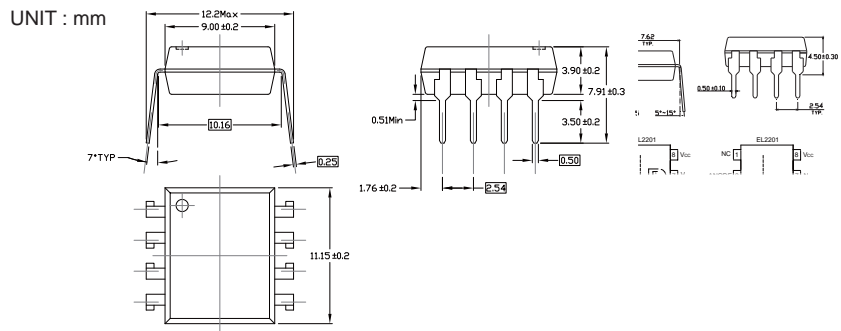


UNIT : mm



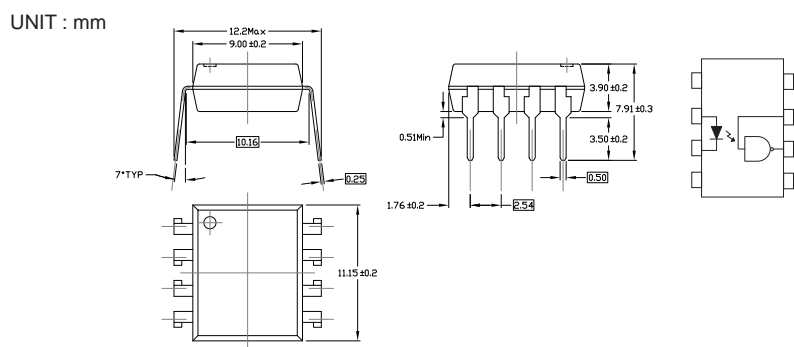
Product	Size (LxWxHmm)	tPHL / tPLH (ns)	Supply Voltage (V)	CTR (%)	Viso (V _{rms})	CMR (V/us)	I _O (mA)
6N138	9.76x6.6x3.5	15000 / 50000	7 max.	300 min.	5000	1000	60 max.
6N139	9.76x6.6x3.5	30000 / 90000	18 max.	500 min.	5000	1000	60 max.

Photo Coupler | High Speed | 8Pin Wide Body DIP



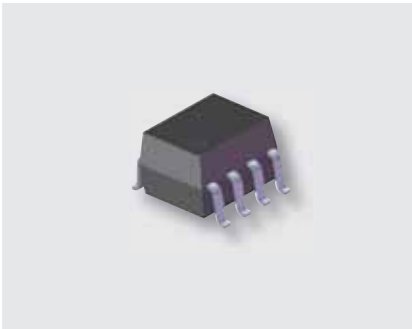
Product	Size (LxWxHmm)	tPHL / tPLH (ns)	Supply Voltage (V)	CTR (%)	Viso (V _{rms})	CMR (V/us)	I _O (mA)
ELW135	11.15x9x3.9	2000 / 2000	30 max.	7~50	5000	1000	8 max.
ELW136	11.15x9x3.9	1000 / 1000	30 max.	19~50	5000	1000	8 max.
*ELW4503	11.15x9x3.9	1000 / 1000	30 max.	19~50	5000	15000	8 max.

Star mark * : Please refer to the schematic of Pin configuration with " * " mark

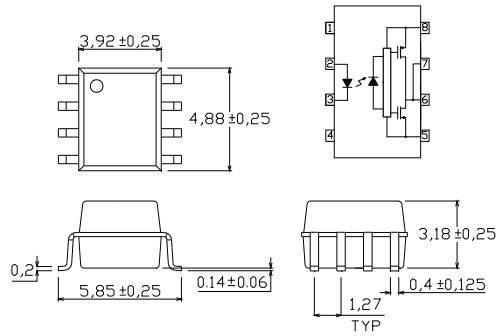


Product	Size (LxWxHmm)	tPHL / tPLH (ns)	Supply Voltage (V)	I _{FT} (mA)	Viso (V _{rms})	CMR (V/us)	I _O (mA)
ELW137	11.15x9x3.9	100 / 100	7 max.	5	5000	-	50 max.
ELW2601	11.15x9x3.9	100 / 100	7 max.	5	5000	5000	50 max.
ELW2611	11.15x9x3.9	100 / 100	7 max.	5	5000	10000	50 max.

Photo Coupler | IGBT/MOSFET Gate Driver | 8Pin SOP



UNIT : mm



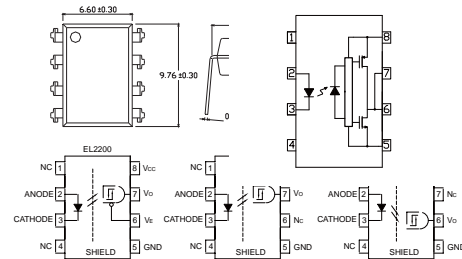
Product	Size (LxWxHmm)	tPHL / tPLH (ns)	Vcc (V)	Viso (V _{rms})	CMR (V/us)	I _O (A)
EL0314	4.88x3.92x3.18	300 / 300	35	3750	15000	0.6

• Product Availability : Please visit EVERLIGHT AMERICAS website for updated information (www.everlightamericas.com) or contact EVERLIGHT AMERICAS sales for regional options.

Photo Coupler | IGBT/MOSFET Gate Driver | 8Pin DIP



UNIT : mm

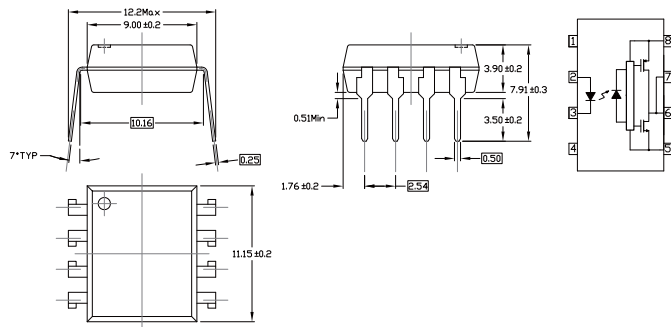


Product	Size (LxWxHmm)	tPHL / tPLH (ns)	Vcc (V)	Viso (V _{rms})	CMR (V/us)	I _O (A)
EL3120	9.76x6.6x3.5	300 / 300	35	5000	15000	2.5
EL3140	9.76x6.6x3.5	200 / 200	35	5000	15000	0.6
EL3150	9.76x6.6x3.5	200 / 200	35	5000	15000	1

Photo Coupler | IGBT/MOSFET Gate Driver | 8Pin Wide Body DIP



UNIT : mm

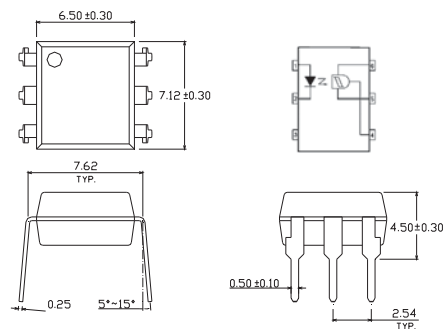


Product	Size (LxWxHmm)	tPHL / tPLH (ns)	Vcc (V)	Viso (V _{rms})	CMR (V/us)	I _O (A)
ELW3120	11.15x9x3.9	300 / 300	35	5000	20000	2.5

Photo Coupler | Schmitt Trigger | 6Pin DIP



UNIT : mm



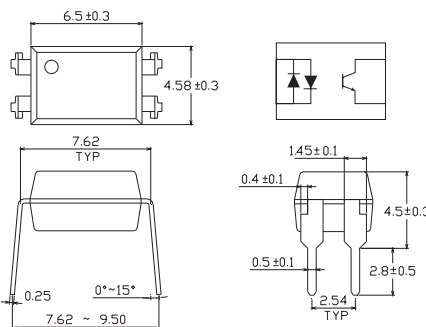
Product	Size (LxWxHmm)	Rise / Fall Time (μs)	Supply Voltage (V)	Viso (V _{rms})	I _{FT} (mA)	I _{CC_Max} (mA)	I _O (mA)
H11L1	7.12x6.5x3.5	0.1 / 0.1	3~15	5000	1.6	5	0.1

Photo Coupler

Photo Coupler | Transistor | 4Pin DIP-AC



UNIT : mm

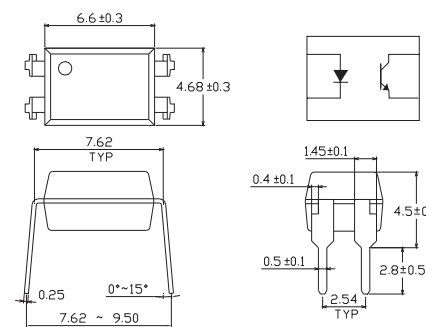


Product	Size (LxWxHmm)	V _{F_Typ} (V)	Rise / Fall Time (μs)	BV _{CEO_Min} (V)	CTR (%)	Viso (V _{rms})	V _{CE(SAT)_Max} (V)
EL814	6.5x4.58x3.5	1.2	7 / 11	80	20~300	5000	0.2

Photo Coupler | Transistor | 4Pin DIP-DC



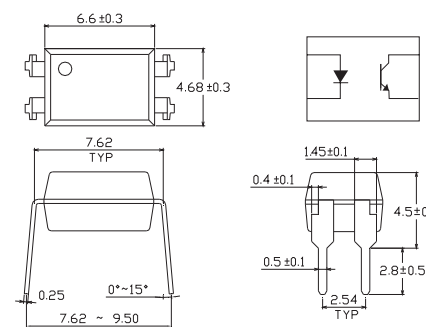
UNIT : mm



Product	Size (LxWxHmm)	V _{F_Typ} (V)	Rise / Fall Time (μs)	BV _{CEO_Min} (V)	CTR (%)	Viso (V _{rms})	V _{CE(SAT)_Max} (V)
EL816	6.5x4.58x3.5	1.2	4 / 3	80	50~600	5000	0.2
EL817	6.5x4.58x3.5	1.2	4 / 3	35	50~600	5000	0.2
EL817-G	6.5x4.58x3.5	1.2	6 / 8	80	50~600	5000	0.2
EL851	6.5x4.58x3.5	1.2	4 / 5	350	50~600	5000	0.4



UNIT : mm

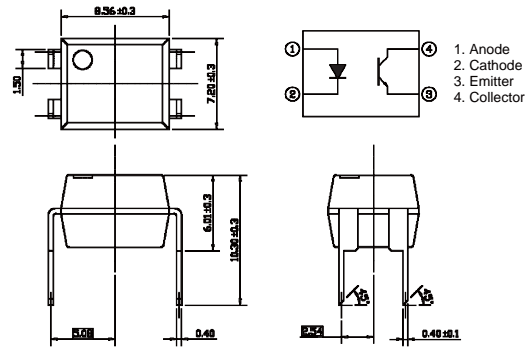


Product	Size (LxWxHmm)	V _{F_Typ} (V)	Rise / Fall Time (μs)	BV _{CEO_Min} (V)	CTR (%)	Viso (V _{rms})	V _{CE(SAT)_Max} (V)
EL617	6.6x4.68x3.5	1.2	4 / 3	80	50~600	5000	0.2

Photo Coupler | Transistor | 4Pin High Isolation



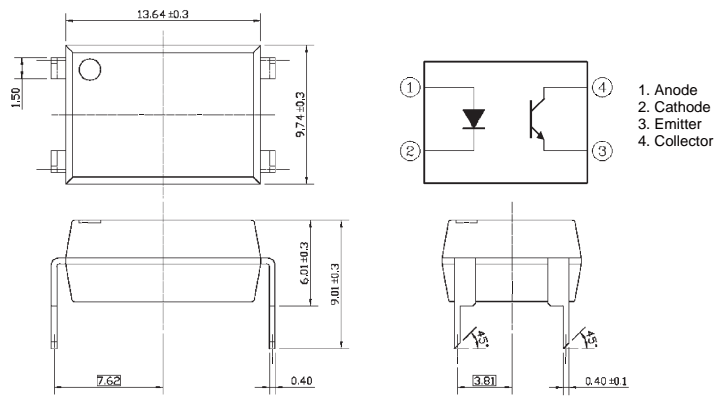
UNIT : mm



Product	Size (LxWxHmm)	V _{F_Typ} (V)	Rise / Fall Time (μs)	BV _{CEO_Min} (V)	CTR (%)	Viso (V _{rms})	V _{CE(SAT)_Max} (V)
CNY64	8.56x7.2x6.01	1.6	3 / 5	80	50-300	8200	0.3



UNIT : mm

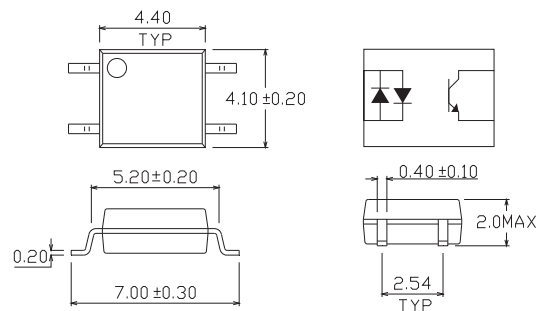


Product	Size (LxWxHmm)	V _{F_Typ} (V)	Rise / Fall Time (μs)	BV _{CEO_Min} (V)	CTR (%)	Viso (V _{rms})	V _{CE(SAT)_Max} (V)
CNY65	13.64x9.74x6.01	1.6	3 / 5	80	50-300	10000	0.3

Photo Coupler | Transistor | 4Pin SOP-AC



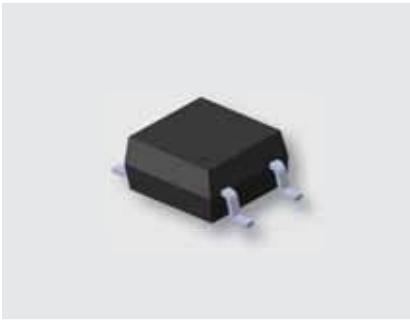
UNIT : mm



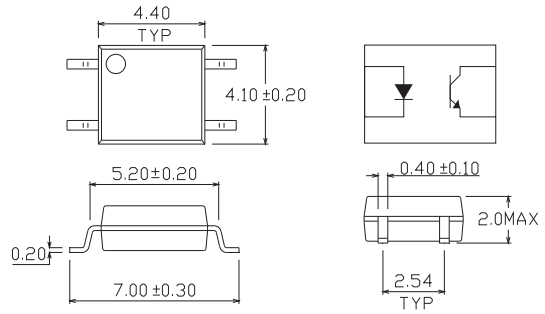
Product	Size (LxWxHmm)	V _{F_Typ} (V)	Rise / Fall Time (μs)	BV _{CEO_Min} (V)	CTR (%)	Viso (V _{rms})	V _{CE(SAT)_Max} (V)
EL354N-G	4.4x4.1x2	1.2	6 / 8	80	20-300	3750	0.2

Photo Coupler

Photo Coupler | Transistor | 4Pin SOP-DC



UNIT : mm

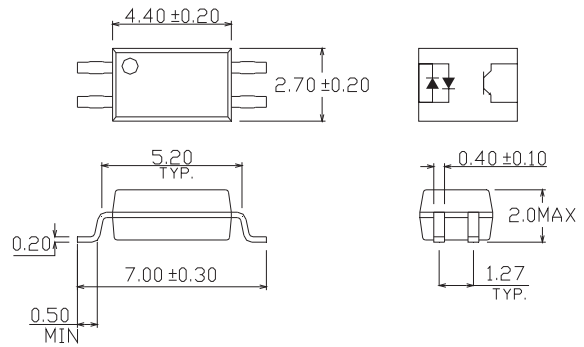


Product	Size (LxWxHmm)	V _{F_Typ} (V)	Rise / Fall Time (μs)	BV _{CEO_Min} (V)	CTR (%)	Viso (V _{rms})	V _{CE(SAT)_Max} (V)
EL357N-G	4.4x4.1x2	1.2	3 / 4	80	50~600	3750	0.2

Photo Coupler | Transistor | 4Pin SSOP-AC

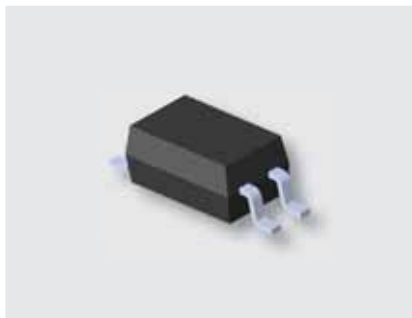


UNIT : mm

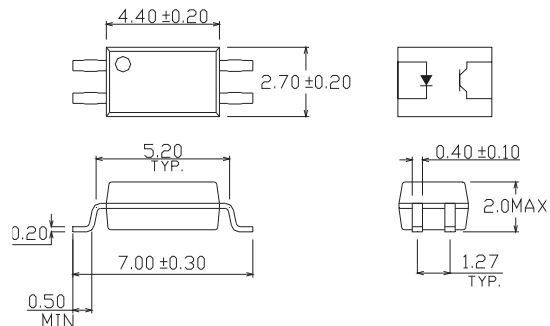


Product	Size (LxWxHmm)	V _{F_Typ} (V)	Rise / Fall Time (μs)	BV _{CEO_Min} (V)	CTR (%)	Viso (V _{rms})	V _{CE(SAT)_Max} (V)
EL3H4-G	4.4x2.7x2	1.2	6 / 8	80	20~300	3750	0.2

Photo Coupler | Transistor | 4Pin SSOP-DC



UNIT : mm

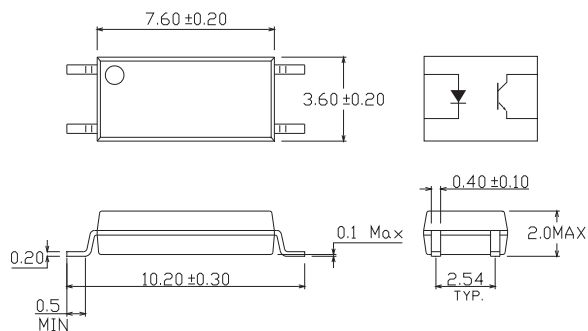


Product	Size (LxWxHmm)	V _{F_Typ} (V)	Rise / Fall Time (μs)	BV _{CEO_Min} (V)	CTR (%)	Viso (V _{rms})	V _{CE(SAT)_Max} (V)
EL3H7-G	4.4x2.7x2	1.2	5 / 3	80	50-600	3750	0.2

Photo Coupler | Transistor | 4Pin Long Creepage



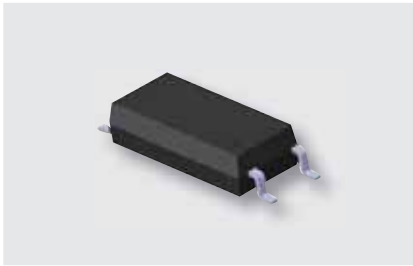
UNIT : mm



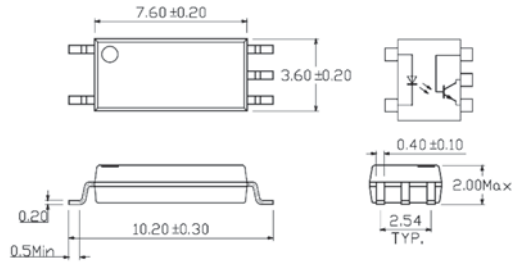
Product	Size (LxWxHmm)	V _{F_Typ} (V)	Rise / Fall Time (μs)	BV _{CEO_Min} (V)	CTR (%)	Viso (V _{rms})	V _{CE(SAT)_Max} (V)
EL1010-G	7.6x3.6x2	1.45	2 / 3	80	50-600	5000	0.3
EL1012-G	7.6x3.6x2	1.45	2 / 3	80	63-125	5000	0.3
EL1013-G	7.6x3.6x2	1.45	2 / 3	80	100-200	5000	0.3
EL1014-G	7.6x3.6x2	1.45	2 / 3	80	160-320	5000	0.3
EL1017-G	7.6x3.6x2	1.45	2 / 3	80	80-160	5000	0.3
EL1018-G	7.6x3.6x2	1.45	2 / 3	80	130-260	5000	0.3
EL1019-G	7.6x3.6x2	1.45	2 / 3	80	200-400	5000	0.3

Photo Coupler

Photo Coupler | Transistor | 5Pin Long Creepage



UNIT : mm

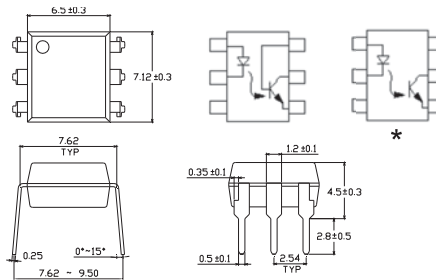


Product	Size (LxWxHmm)	V _{F_Typ} (V)	Rise / Fall Time (µs)	BV _{CEO_Min} (V)	CTR (%)	Viso (V _{rms})	V _{CE(SAT)_Max} (V)
EL1110-G	7.6x3.6x2	1.45	2 / 3	80	50~600	5000	0.4
EL1112-G	7.6x3.6x2	1.45	2 / 3	80	63~125	5000	0.4
EL1113-G	7.6x3.6x2	1.45	2 / 3	80	100~200	5000	0.4
EL1114-G	7.6x3.6x2	1.45	2 / 3	80	160~320	5000	0.4
EL1116-G	7.6x3.6x2	1.45	2 / 3	80	100~300	5000	0.4
EL1117-G	7.6x3.6x2	1.45	2 / 3	80	80~160	5000	0.4
EL1118-G	7.6x3.6x2	1.45	2 / 3	80	130~260	5000	0.4
EL1119-G	7.6x3.6x2	1.45	2 / 3	80	200~400	5000	0.4

Photo Coupler | Transistor | 6Pin DIP-DC



UNIT : mm



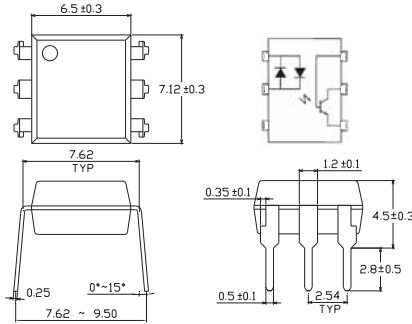
Product	Size (LxWxHmm)	V _{F_Typ} (V)	Rise / Fall Time (µs)	BV _{CEO_Min} (V)	CTR (%)	Viso (V _{rms})	V _{CE(SAT)_Max} (V)
4N25	7.12x6.5x3.5	1.2	3 / 3	80	20 min.	5000	0.5
4N26	7.12x6.5x3.5	1.2	3 / 3	80	20 min.	5000	0.5
4N27	7.12x6.5x3.5	1.2	3 / 3	80	10 min.	5000	0.5
4N28	7.12x6.5x3.5	1.2	3 / 3	80	10 min.	5000	0.5
4N35	7.12x6.5x3.5	1.2	10 / 9	80	100 min.	5000	0.3
4N36	7.12x6.5x3.5	1.2	10 / 9	80	100 min.	5000	0.3
4N37	7.12x6.5x3.5	1.2	10 / 9	80	100 min.	5000	0.3
4N38	7.12x6.5x3.5	1.2	10 / 9	80	20 min.	5000	1
CNY17-1	7.12x6.5x3.5	--	6 / 8	80	40~80	5000	0.3
CNY17-2	7.12x6.5x3.5	--	6 / 8	80	63~125	5000	0.3
CNY17-3	7.12x6.5x3.5	--	6 / 8	80	100~200	5000	0.3
CNY17-4	7.12x6.5x3.5	--	6 / 8	80	160~320	5000	0.3
*CNY17F-1	7.12x6.5x3.5	--	6 / 8	80	40~80	5000	0.3
*CNY17F-2	7.12x6.5x3.5	--	6 / 8	80	63~125	5000	0.3
*CNY17F-3	7.12x6.5x3.5	--	6 / 8	80	100~200	5000	0.3
*CNY17F-4	7.12x6.5x3.5	--	6 / 8	80	160~320	5000	0.3
H11A1	7.12x6.5x3.5	1.2	3 / 3	80	50 min.	5000	0.4
H11A2	7.12x6.5x3.5	1.2	3 / 3	80	20 min.	5000	0.4
H11A3	7.12x6.5x3.5	1.2	3 / 3	80	20 min.	5000	0.4
H11A4	7.12x6.5x3.5	1.2	3 / 3	80	10 min.	5000	0.4
H11A5	7.12x6.5x3.5	1.2	3 / 3	80	30 min.	5000	0.4
MCT2E	7.12x6.5x3.5	1.23	3 / 3	80	20 min.	5000	0.4
TIL111	7.12x6.5x3.5	1.22	6 / 8	80	--	5000	0.4
TIL117	7.12x6.5x3.5	--	6 / 8	80	50 min.	5000	0.4

Photo Coupler

Photo Coupler | Transistor | 6Pin DIP-AC



UNIT : mm

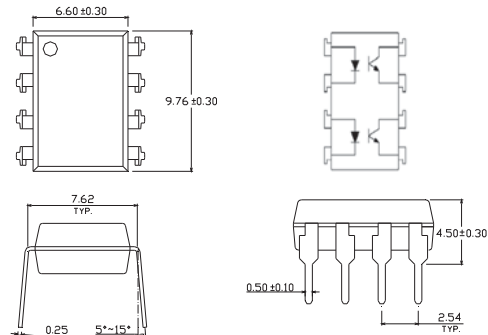


Product	Size (LxWxHmm)	V _{F_Typ} (V)	Rise / Fall Time (µs)	BV _{CEO_Min} (V)	CTR (%)	Viso (V _{rms})	V _{CE(SAT)_Max} (V)
H11AA1	7.12x6.5x3.5	1.2	10 / 10	80	20 min.	5000	0.4
H11AA2	7.12x6.5x3.5	1.2	10 / 10	80	10 min.	5000	0.4
H11AA3	7.12x6.5x3.5	1.2	10 / 10	80	50 min.	5000	0.4
H11AA4	7.12x6.5x3.5	1.2	10 / 10	80	100 min.	5000	0.4

Photo Coupler | Transistor | 8Pin DIP-DC

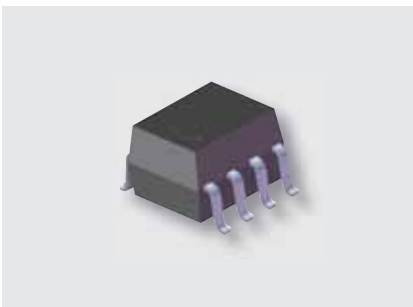


UNIT : mm

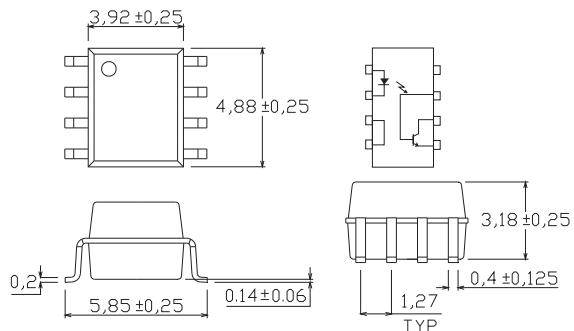


Product	Size (LxWxHmm)	V _{F_Typ} (V)	Rise / Fall Time (µs)	BV _{CEO_Min} (V)	CTR (%)	Viso (V _{rms})	V _{CE(SAT)_Max} (V)
EL827	9.76x6.5x3.5	1.2	3 / 4	80	50-600	5000	0.2

Photo Coupler | Transistor | 8Pin SOP-DC



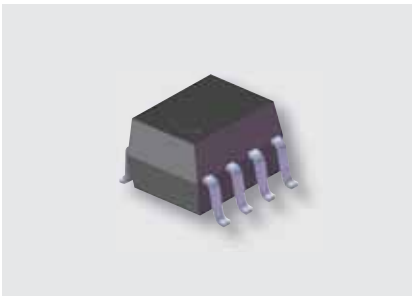
UNIT : mm



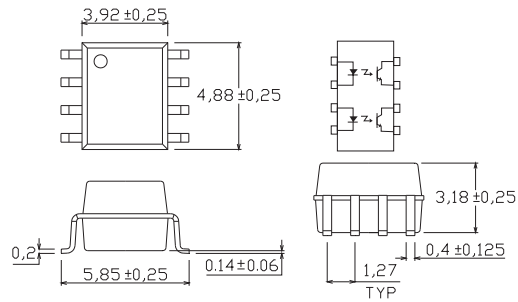
Product	Size (LxWxHmm)	V _{F_Typ} (V)	Rise / Fall Time (µs)	BV _{CEO_Min} (V)	CTR (%)	Viso (V _{rms})	V _{CE(SAT)_Max} (V)
EL205	4.88x3.92x3.18	1.3	1.6 / 2.2	80	40-80	3750	0.4
EL206	4.88x3.92x3.18	1.3	1.6 / 2.2	80	63-125	3750	0.4
EL207	4.88x3.92x3.18	1.3	1.6 / 2.2	80	100-200	3750	0.4
EL208	4.88x3.92x3.18	1.3	1.6 / 2.2	80	160-320	3750	0.4
EL211	4.88x3.92x3.18	1.3	1.6 / 2.2	80	20 min.	3750	0.4
EL212	4.88x3.92x3.18	1.3	1.6 / 2.2	80	50 min.	3750	0.4
EL213	4.88x3.92x3.18	1.3	1.6 / 2.2	80	100 min.	3750	0.4
EL215	4.88x3.92x3.18	1.3	1.6 / 2.2	80	10 min.	3750	0.4
EL216	4.88x3.92x3.18	1.3	1.6 / 2.2	80	50 min.	3750	0.4
EL217	4.88x3.92x3.18	1.3	1.6 / 2.2	80	100 min.	3750	0.4

Photo Coupler

Photo Coupler | Transistor | 8Pin SSOP-DC



UNIT : mm

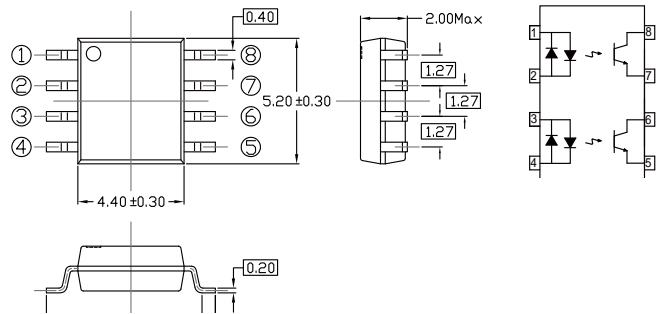


Product	Size (LxWxHmm)	V _{F_Typ} (V)	Rise / Fall Time (μs)	BV _{CEO_Min} (V)	CTR (%)	Viso (V _{rms})	V _{CE(SAT)_Max} (V)
ELD205	4.88x3.92x3.18	1.2	1.6 / 2.2	80	40~80	3750	0.4
ELD206	4.88x3.92x3.18	1.2	1.6 / 2.2	80	63~125	3750	0.4
ELD207	4.88x3.92x3.18	1.2	1.6 / 2.2	80	100~200	3750	0.4
ELD211	4.88x3.92x3.18	1.2	1.6 / 2.2	80	20 min.	3750	0.4
ELD213	4.88x3.92x3.18	1.2	1.6 / 2.2	80	100 min.	3750	0.4
ELD217	4.88x3.92x3.18	1.2	1.6 / 2.2	80	100 min.	3750	0.4

Photo Coupler | Transistor | 8Pin SSOP-DC



UNIT : mm



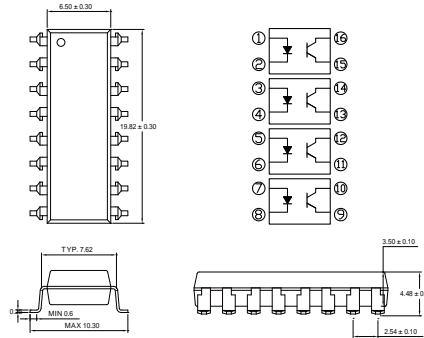
Product	Size (LxWxHmm)	V _{F_Typ} (V)	Rise / Fall Time (μs)	BV _{CEO_Min} (V)	CTR (%)	Viso (V _{rms})	V _{CE(SAT)_Max} (V)
ELD3H7	5.2x4.4x2	1.2	5 / 3	80	50~600	3750	0.2



Photo Coupler | Transistor | 16Pin DIP-DC



UNIT : mm

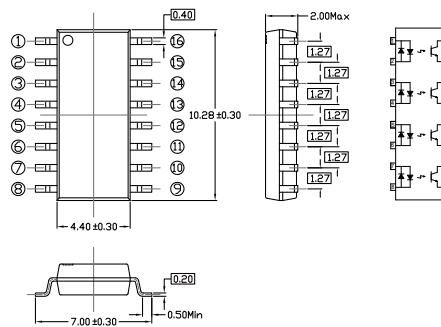


Product	Size (LxWxHmm)	V _{F_Typ} (V)	Rise / Fall Time (μs)	BV _{CEO_Min} (V)	CTR (%)	Viso (V _{rms})	V _{CE(SAT)_Max} (V)
EL847	19.82x6.5x3.5	1.2	4 / 3	80	50~600	5000	0.2

Photo Coupler | Transistor | 16Pin SSOP-DC



UNIT : mm



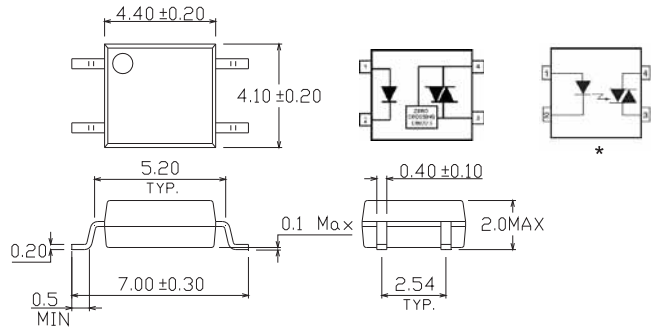
Product	Size (LxWxHmm)	V _{F_Typ} (V)	Rise / Fall Time (μs)	BV _{CEO_Min} (V)	CTR (%)	Viso (V _{rms})	V _{CE(SAT)_Max} (V)
ELQ3H7	10.28x4.4x2	1.2	5 / 3	80	50~600	3750	0.2

Photo Coupler

Photo Coupler | Triac | 4Pin SOP



UNIT : mm



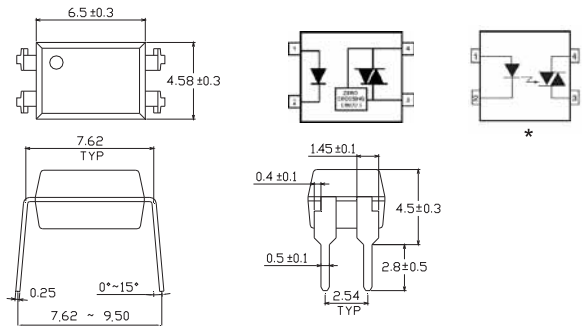
Product	Size (LxWxHmm)	V _{TM} (V)	V _{INH} (V)	V _{DRM} (V)	V _{F_Max} (V)	Viso (V _{rms})	I _{FT} (mA)
ELM3042	4.4x4.1x2	3	20	400	1.5	3750	10
ELM3043	4.4x4.1x2	3	20	400	1.5	3750	5
ELM3044	4.4x4.1x2	3	20	400	1.5	3750	3
ELM3062	4.4x4.1x2	3	20	600	1.5	3750	10
ELM3063	4.4x4.1x2	3	20	600	1.5	3750	5
ELM3064	4.4x4.1x2	3	20	600	1.5	3750	3
ELM3082	4.4x4.1x2	3	20	800	1.5	3750	10
ELM3083	4.4x4.1x2	3	20	800	1.5	3750	5
ELM3084	4.4x4.1x2	3	20	800	1.5	3750	3
*ELM3022	4.4x4.1x2	2.5	--	400	1.2	3750	10
*ELM3023	4.4x4.1x2	2.5	--	400	1.2	3750	5
*ELM3024	4.4x4.1x2	2.5	--	400	1.2	3750	3
*ELM3052	4.4x4.1x2	2.5	--	600	1.2	3750	10
*ELM3053	4.4x4.1x2	2.5	--	600	1.2	3750	5
*ELM3054	4.4x4.1x2	2.5	--	600	1.2	3750	3

Star mark * : Please refer to the schematic of Pin configuration with " * " mark

Photo Coupler | Triac | 4Pin DIP



UNIT : mm



Product	Size (LxWxHmm)	V _{TM} (V)	V _{INH} (V)	V _{DRM} (V)	V _{F_Max} (V)	Viso (V _{rms})	I _{FT} (mA)
ELT3041	6.5x4.58x3.5	3	20	400	1.5	5000	15
ELT3042	6.5x4.58x3.5	3	20	400	1.5	5000	10
ELT3043	6.5x4.58x3.5	3	20	400	1.5	5000	5
ELT3061	6.5x4.58x3.5	3	20	600	1.5	5000	15
ELT3062	6.5x4.58x3.5	3	20	600	1.5	5000	10
ELT3063	6.5x4.58x3.5	3	20	600	1.5	5000	5
ELT3081	6.5x4.58x3.5	3	20	800	1.5	5000	15
ELT3082	6.5x4.58x3.5	3	20	800	1.5	5000	10
ELT3083	6.5x4.58x3.5	3	20	800	1.5	5000	5
*ELT3021	6.5x4.58x3.5	2.5	-	400	1.2	5000	15
*ELT3022	6.5x4.58x3.5	2.5	-	400	1.2	5000	10
*ELT3023	6.5x4.58x3.5	2.5	-	400	1.2	5000	5
*ELT3051	6.5x4.58x3.5	2.5	-	600	1.2	5000	15
*ELT3052	6.5x4.58x3.5	2.5	-	600	1.2	5000	10
*ELT3053	6.5x4.58x3.5	2.5	-	600	1.2	5000	5

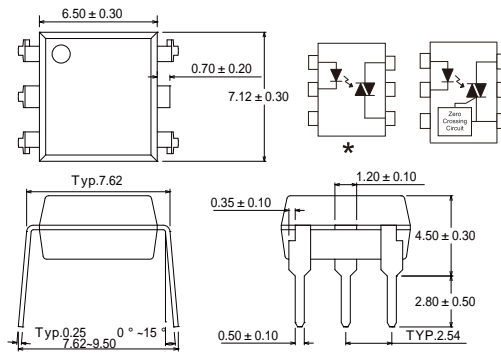
Star mark * : Please refer to the schematic of Pin configuration with " * " mark

Photo Coupler

Photo Coupler | Triac | 5Pin DIP



UNIT : mm

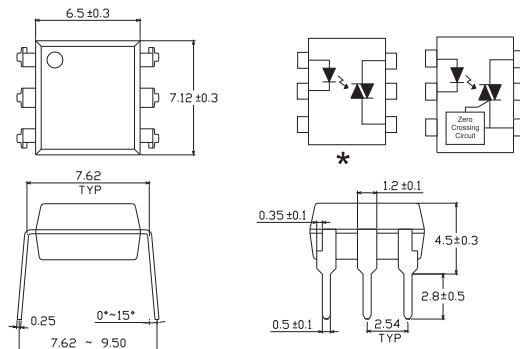


Product	Size (LxWxHmm)	V _{TM} (V)	V _{INH} (V)	V _{DRM} (V)	V _{F_Typ} (V)	Viso (V _{rms})	I _{FT} (mA)
EL3031(P5)	7.12x6.5x3.5	3	20	250	--	5000	15
EL3032(P5)	7.12x6.5x3.5	3	20	250	--	5000	10
EL3033(P5)	7.12x6.5x3.5	3	20	250	--	5000	5
EL3041(P5)	7.12x6.5x3.5	3	20	400	--	5000	15
EL3042(P5)	7.12x6.5x3.5	3	20	400	--	5000	10
EL3043(P5)	7.12x6.5x3.5	3	20	400	--	5000	5
EL3061(P5)	7.12x6.5x3.5	3	20	600	--	5000	15
EL3062(P5)	7.12x6.5x3.5	3	20	600	--	5000	10
EL3063(P5)	7.12x6.5x3.5	3	20	600	--	5000	5
EL3081(P5)	7.12x6.5x3.5	3	20	800	--	5000	15
EL3082(P5)	7.12x6.5x3.5	3	20	800	--	5000	10
EL3083(P5)	7.12x6.5x3.5	3	20	800	--	5000	5
EL3010(P5)	7.12x6.5x3.5	2.5	--	250	1.18	5000	15
EL3011(P5)	7.12x6.5x3.5	2.5	--	250	1.18	5000	10
EL3012(P5)	7.12x6.5x3.5	2.5	--	250	1.18	5000	5
EL3021(P5)	7.12x6.5x3.5	2.5	--	400	1.18	5000	15
EL3022(P5)	7.12x6.5x3.5	2.5	--	400	1.18	5000	10
EL3023(P5)	7.12x6.5x3.5	2.5	--	400	1.18	5000	5
EL3051(P5)	7.12x6.5x3.5	2.5	--	600	1.18	5000	15
EL3052(P5)	7.12x6.5x3.5	2.5	--	600	1.18	5000	10
EL3053(P5)	7.12x6.5x3.5	2.5	--	600	1.18	5000	5

Photo Coupler | Triac | 6Pin DIP



UNIT : mm



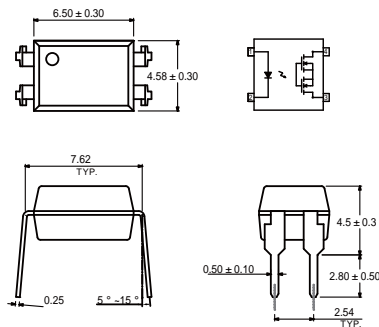
Product	Size (LxWxHmm)	V_{TM} (V)	V_{INH} (V)	V_{DRM} (V)	V_{F_Typ} (V)	Viso (V_{rms})	I_{FT} (mA)
EL3031	7.12x6.5x3.5	3	20	250	--	5000	15
EL3032	7.12x6.5x3.5	3	20	250	--	5000	10
EL3033	7.12x6.5x3.5	3	20	250	--	5000	5
EL3041	7.12x6.5x3.5	3	20	400	--	5000	15
EL3042	7.12x6.5x3.5	3	20	400	--	5000	10
EL3043	7.12x6.5x3.5	3	20	400	--	5000	5
EL3061	7.12x6.5x3.5	3	20	600	--	5000	15
EL3062	7.12x6.5x3.5	3	20	600	--	5000	10
EL3063	7.12x6.5x3.5	3	20	600	--	5000	5
EL3081	7.12x6.5x3.5	3	20	800	--	5000	15
EL3082	7.12x6.5x3.5	3	20	800	--	5000	10
EL3083	7.12x6.5x3.5	3	20	800	--	5000	5
*EL3010	7.12x6.5x3.5	2.5	--	250	1.18	5000	15
*EL3011	7.12x6.5x3.5	2.5	--	250	1.18	5000	10
*EL3012	7.12x6.5x3.5	2.5	--	250	1.18	5000	5
*EL3021	7.12x6.5x3.5	2.5	--	400	1.18	5000	15
*EL3022	7.12x6.5x3.5	2.5	--	400	1.18	5000	10
*EL3023	7.12x6.5x3.5	2.5	--	400	1.18	5000	5
*EL3051	7.12x6.5x3.5	2.5	--	600	1.18	5000	15
*EL3052	7.12x6.5x3.5	2.5	--	600	1.18	5000	10
*EL3053	7.12x6.5x3.5	2.5	--	600	1.18	5000	5

Star mark * : Please refer to the schematic of Pin configuration with " * " mark

Photo Coupler | Relay(Solid State Relay) | 4Pin DIP



UNIT : mm

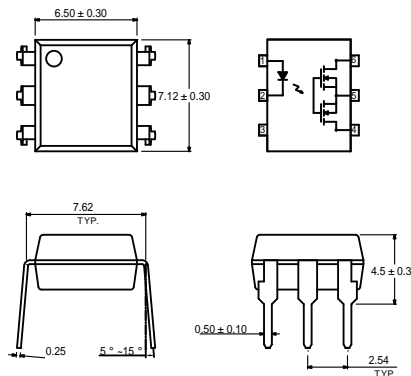


Product	Size (LxWxHmm)	Output type	Load Voltage (V)	Load Current (mA)	Ron Typ.(Ω)	I _{fon} max. (mA)	Viso (Vrms)
EL406A	6.5x4.58x3.5	Normally Open 1a	60	550	0.7	5	5000
EL425A	6.5x4.58x3.5	Normally Open 2a	250	180	6.5	5	5000
EL440A	6.5x4.58x3.5	Normally Open 3a	400	120	20	5	5000
EL460A	6.5x4.58x3.5	Normally Open 4a	600	50	40	5	5000

Photo Coupler | Relay(Solid State Relay) | 6Pin DIP



UNIT : mm



Product	Size (LxWxHmm)	Output type	Load Voltage (V)	Load Current (mA)	Ron Typ.(Ω)	I _{fon} max. (mA)	Viso (Vrms)
EL606A	7.12x6.5x3.5	Normally Open 1a	60	550	0.7	3	5000
EL625A	7.12x6.5x3.5	Normally Open 2a	250	180	6.5	3	5000
EL640A	7.12x6.5x3.5	Normally Open 3a	400	120	20	3	5000
EL660A	7.12x6.5x3.5	Normally Open 4a	600	50	40	3	5000

Notice

The content of this Catalogue is provided for informational purposes only. EVERLIGHT AMERICAS makes no representations about the accuracy, reliability, completeness of the information in this catalogue. EVERLIGHT AMERICAS may, at its sole discretion, revise the specifications, appearance, structures and materials herein without notice for the purpose of improvement. Please contact EVERLIGHT AMERICAS sales should you require more information on a product or its application.

This Catalogue does not contain any guarantee or agreed quality of EVERLIGHT AMERICAS's products or any warranty of merchantability, intellectual property, and fitness for a particular purpose. EVERLIGHT AMERICAS's obligation and responsibilities regarding its products are governed solely by the agreements under which they are sold. Unless otherwise agreed in writing, the information contained herein does not become part of the agreements.

The trademarks and logos ("Trademarks") displayed in this Catalogue are the property of EVERLIGHT and/or its affiliates. Nothing in this Catalogue should be construed as granting any licenses or right to the Trademarks. Without the express written consent of EVERLIGHT, the use of the Trademarks is prohibited.

All text, images, graphics and other materials contained in this Catalogue are subject to the copyright and other intellectual property rights of EVERLIGHT and/or its affiliates.

Structure and materials incorporated in LED packages may change according to customer's requests. Any LED package incorporating β -SiAlON phosphor are licensed by NIMS on the following Patents, Patent Publications and Patent Applications: Patent No. 3975451 (Japan), Patent No. 7,678,294 (US), Patent No. I-299055 (Taiwan), Patent No. ZL200580000742.3 (China), Patent Application No. 12/096,601 (US), Patent Application No. 2007-549180 (Japan), Patent Publication No. DE112005000044T5 (Germany), Patent Publication No.10-2007-0021140 (Korea), and Patent Publication No. EP1964905 (Europe).

EVERLIGHT AMERICAS

HEADQUARTERS

TEXAS USA

EVERLIGHT AMERICAS INC.
3220 Commander Dr. Suite 100
Carrollton, Texas, 75006, United States
TEL: +1-972-490-4008
FAX: +1-972-490-5009
EMAIL: salesmarketing@everlightamericas.com

CALIFORNIA USA

EVERLIGHT AMERICAS INC.
3200 Guasti Road, Suite 100,
Ontario, CA 91761, United States
TEL: +1-909-456-1405
FAX: +1-909-456-1406
EMAIL: salesmarketing@everlightamericas.com

www.everlightamericas.com

单击下面可查看定价，库存，交付和生命周期等信息

[>>Everlight \(亿光\)](#)