

SMD ■ Top View LEDs

3014-BUT-SBBBCAK1E-2T8-CS

**Features**

- P-LCC-2 package.
- Colored Slightly green dotted resin.
- Inner reflector and white package.
- Soldering methods: IR reflow soldering.
- Pb-free.
- The product itself will remain within RoHS compliant version.
- Compliance with EU REACH.
- Compliance Halogen Free .(Br<900ppm,CI<900ppm,Br+CI<1500ppm).
- Precondition: Bases on JEDEC J-STD 020D Level 3.

Applications

- Switches, symbol, mobile phone and illuminated advertising.
- Display for indoor and outdoor application.
- Ideal for coupling into light guides.
- Substitution of traditional light.
- General applications.
- Optical indicator.

Device Selection Guide

Chip Materials	Emitted Color	Resin Color
InGaN	White	Yellowish

Absolute Maximum Ratings (Ta=25°C)

Parameter	Symbol	Rating	Unit
Reverse Voltage	V _R	5	V
Forward Current	I _F	30	mA
Peak Forward Current (Duty 1/10 @1KHz)	I _{FP}	60	mA
Power Dissipation	P _d	93	mW
Junction Temperature	T _j	115	°C
Operating Temperature	T _{opr}	-40 ~ +85	°C
Storage Temperature	T _{stg}	-40 ~ +90	°C
ESD	ESD	2000	V
Soldering Temperature	T _{sol}	Reflow Soldering : 260 °C for 10 sec. Hand Soldering : 350 °C for 3 sec.	

Electro-Optical Characteristics (Ta=25°C)

Parameter	Symbol	Min.	Typ.	Max.	Unit	Condition
Luminous Intensity	I _v	2240	-----	3550	mcd	I _F =20mA
Viewing Angle	2θ _{1/2}	-----	120	-----	deg	I _F =20mA
Forward Voltage	V _F	2.40	----	3.60	V	I _F =20mA
Reverse Current	I _R	-----	-----	10	μA	V _R =5V

Note:

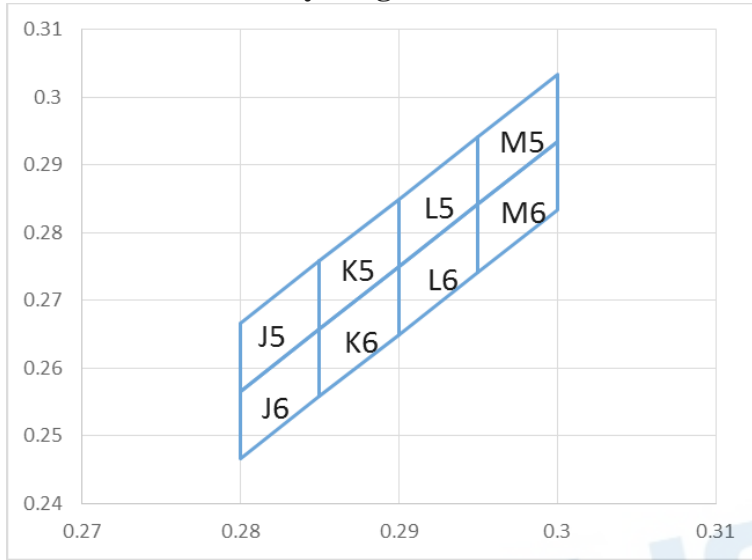
1. Tolerance of Luminous Intensity: ±11%
2. Tolerance of Chromaticity Coordinates : ±0.01
3. Tolerance of Forward Voltage: ±0.1V

Bin Range of Luminous Intensity

Bin Code	Min.	Max.	Unit	Condition
BB	2240	2800	mcd	$I_F = 20\text{mA}$
CA	2800	3550		

Note:
Tolerance of Luminous Intensity: $\pm 11\%$

The C.I.E. 1931 Chromaticity Diagram

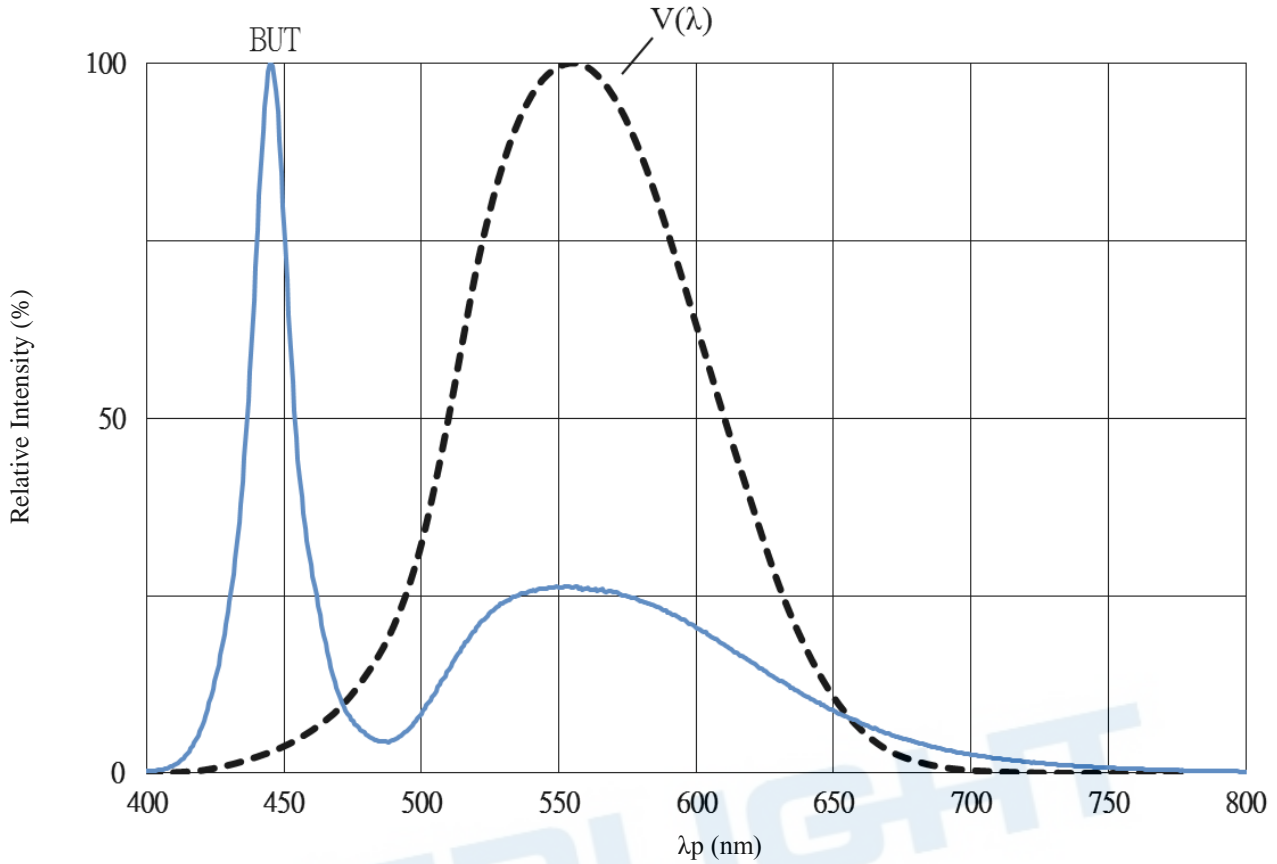


Bin Range of Chromaticity Coordinates

Group	Bin Code	CIE_x	CIE_y	Bin Code	CIE_x	CIE_y	Condition		
SB	J5	0.2800	0.2566	J6	0.2800	0.2466	$I_F = 20\text{mA}$		
		0.2800	0.2666		0.2800	0.2566			
	K5	0.2850	0.2758	K6	0.2850	0.2658			
		0.2850	0.2658		0.2850	0.2558			
		0.2850	0.2658		0.2850	0.2558			
		0.2850	0.2758		0.2850	0.2658			
	L5	0.2900	0.2850	L6	0.2900	0.2750			
		0.2900	0.2750		0.2900	0.2650			
		0.2900	0.2750		0.2900	0.2650			
		0.2900	0.2850		0.2900	0.2750			
	M5	0.2950	0.2942	M6	0.2950	0.2842			
		0.2950	0.2842		0.2950	0.2742			
		0.2950	0.2842		0.2950	0.2742			
		0.2950	0.2942		0.2950	0.2842			
			0.3000	0.3034		0.3000		0.2934	
			0.3000	0.2934		0.3000		0.2834	

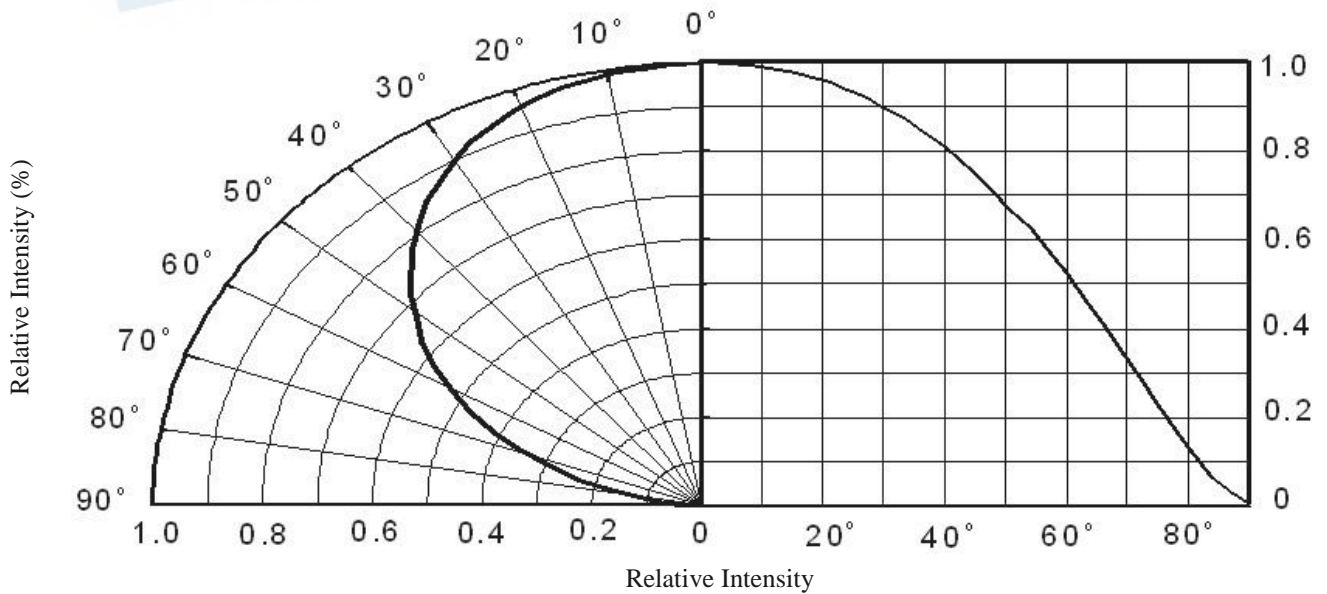
Note:
Tolerance of Chromaticity Coordinates : ± 0.01

Typical Electro-Optical Characteristics Curves
Typical Curve of Spectral Distribution



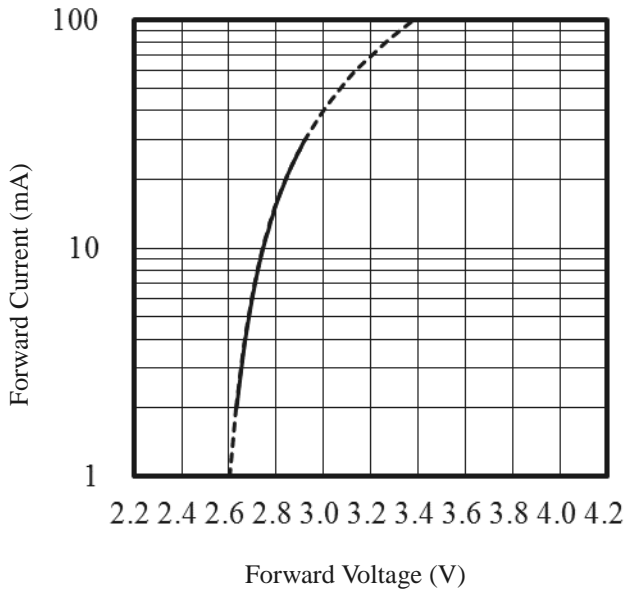
Note: $V(\lambda)$ =Standard eye response curve; $I_F=20\text{mA}$

Diagram Characteristics of Radiation

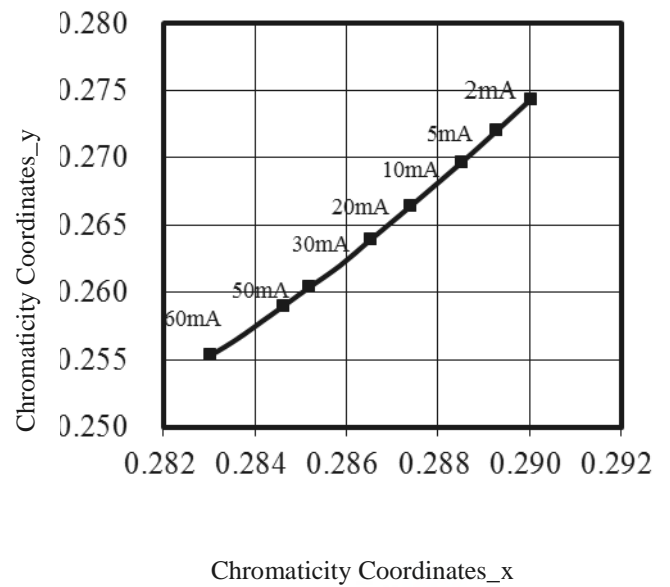


Typical Electro-Optical Characteristics Curves

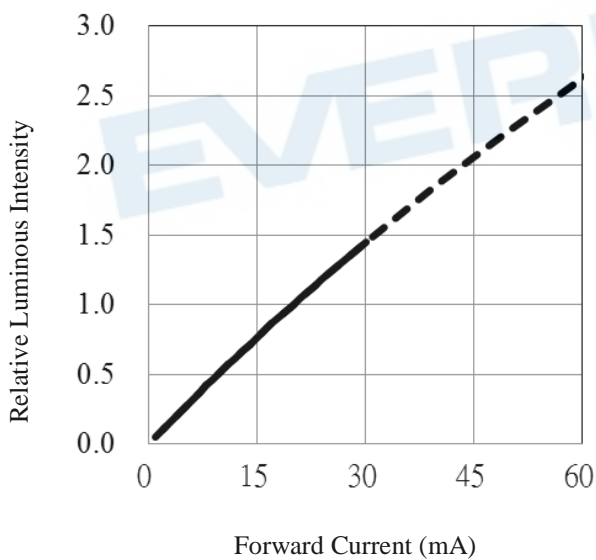
Forward Current vs. Forward Voltage
 (Ta=25°C)



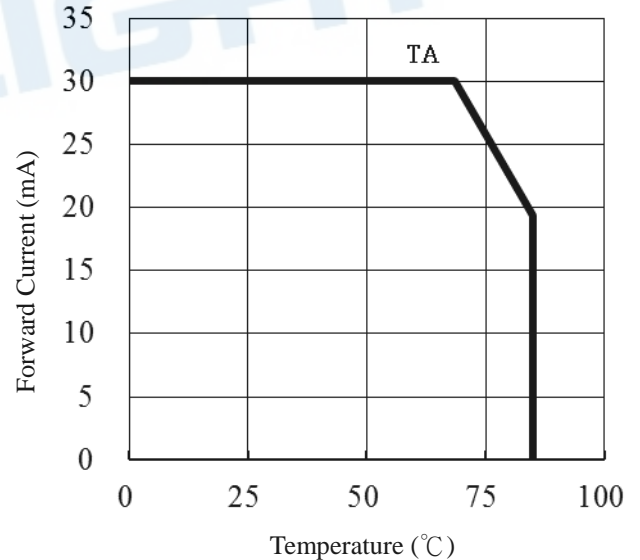
Chromaticity Coordinates vs. Forward Current
 (Ta=25°C)



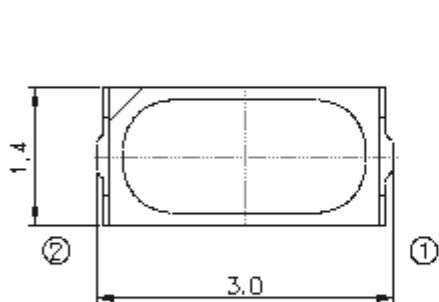
Relative Luminous Intensity vs. Forward Current
 (Ta=25°C)



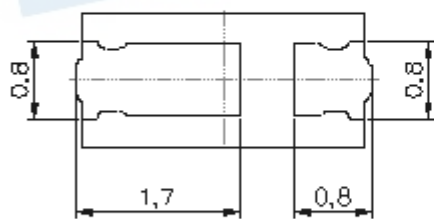
Max. Permissible Forwarded Current
 (Ta=25°C)



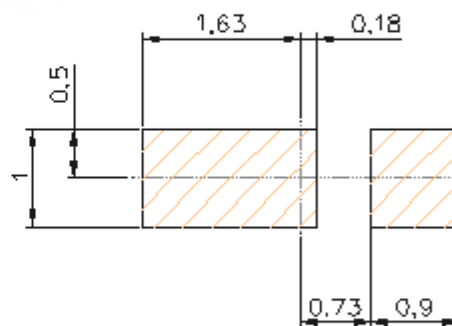
Package Dimension



Polarity



Bot. view

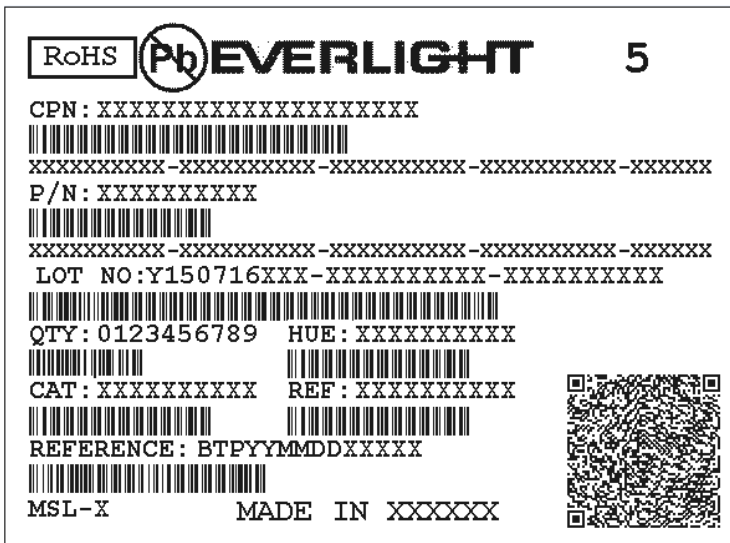


Soldering patterns

Suggested pad dimension is just reference only.
 Please modify the pad dimension based on individual need.

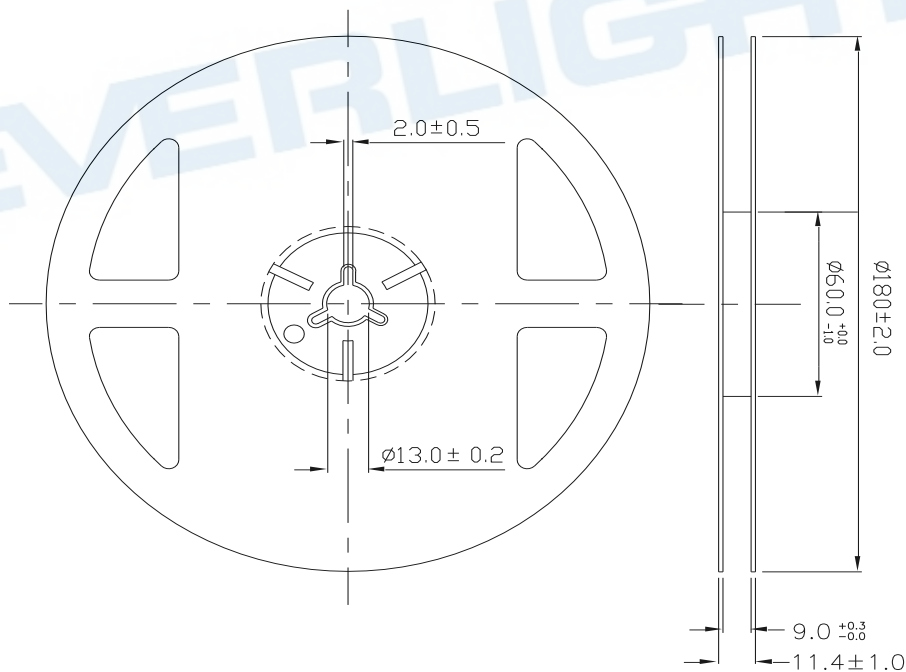
Note: Tolerances unless mentioned ± 0.1 mm. Unit = mm

Moisture Resistant Packing Materials
 Label Explanation



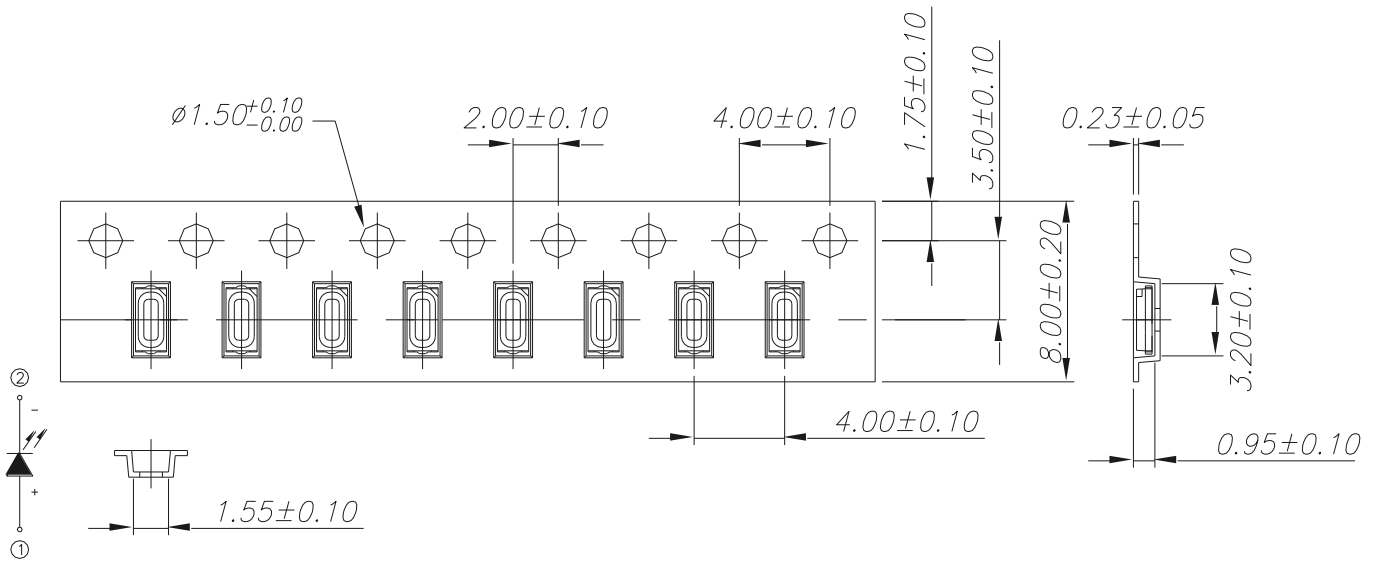
- CPN: Customer's Product Number
- P/N: Product Number
- QTY: Packing Quantity
- CAT: Luminous Intensity Rank
- HUE: Dom. Wavelength Rank
- REF: Forward Voltage Rank
- LOT No: Lot Number

Reel Dimensions



Note: Tolerances unless mentioned ±0.1mm. Unit = mm

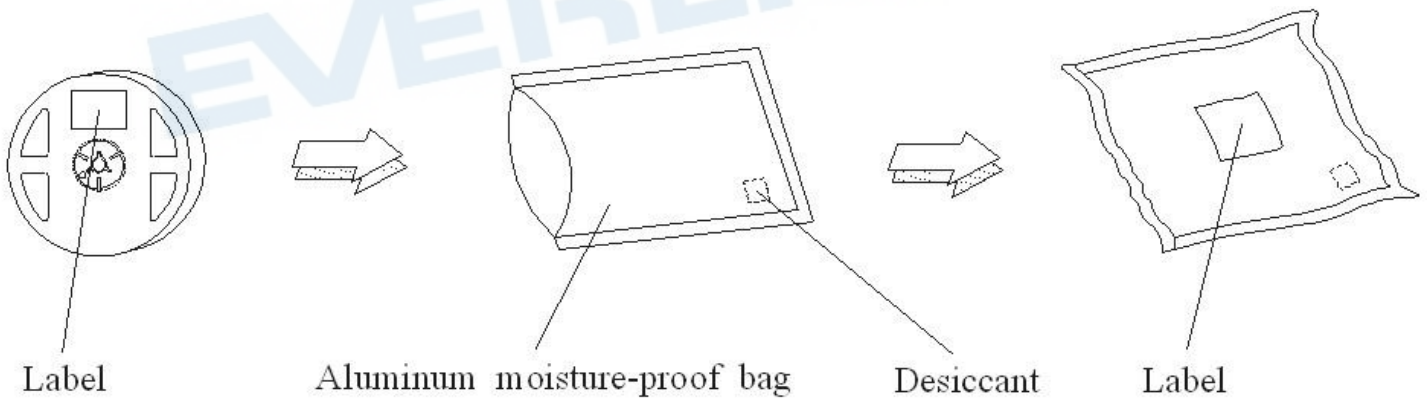
Carrier Tape Dimensions; Loaded Quantity 250/500/1000/2000 pcs Per Reel



Notes:

1. Tolerances unless mentioned ± 0.1 mm. Unit = mm
2. Minimum packing amount is 250/500/1000/2000 pcs per reel

Moisture Resistant Packing Process

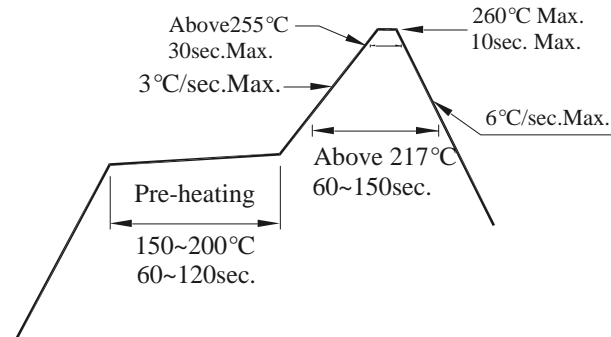


Note: Tolerances unless mentioned ± 0.1 mm. Unit = mm

Precautions for Use

1. Over-current-proof

1.1 Customer must apply resistors for protection, otherwise slight voltage shift will cause big current change (Burn out will happen).



2. Storage

- 2.1 Moisture proof bag should only be opened immediately prior to usage.
- 2.2 Environment should be less than 30°C and 60% RH when moisture proof bag is opened.
- 2.3 After opening the package MSL Conditions stated on page 1 of this spec should not be exceeded.
- 2.4 If the moisture sensitivity card indicates higher than acceptable moisture, the component should be baked at min. 60deg +/-5deg for 24 hours.

3. Soldering Condition

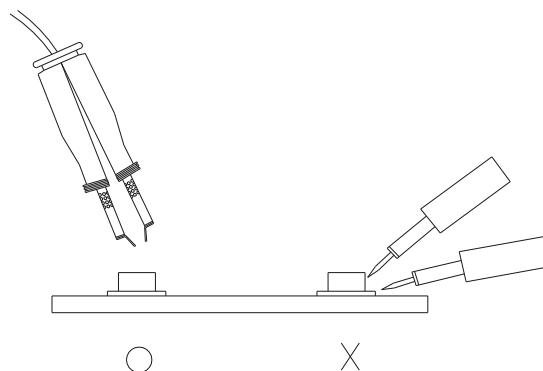
- 3.1 Pb-free solder temperature profile
- 3.2 Reflow soldering should not be done more than two times.
- 3.3 When soldering, do not put stress on the LEDs during heating.
- 3.4 After soldering, do not warp the circuit board.

4. Soldering Iron

Each terminal is to go to the tip of soldering iron temperature less than 350°C for 3 seconds within once in less than the soldering iron capacity 25W. Leave two seconds and more intervals, and do soldering of each terminal. Be careful because the damage of the product is often started at the time of the hand solder.

5. Repairing

Repair should not be done after the LEDs have been soldered. When repairing is unavoidable, a double-head soldering iron should be used (as below figure). It should be confirmed beforehand whether the characteristics of the LEDs will or will not be damaged by repairing.



Application Restrictions

High reliability applications such as military/aerospace, automotive safety/security systems, and medical equipment may require different product. If you have any concerns, please contact Everlight before using this product in your application. This specification guarantees the quality and performance of the product as an individual component. Do not use this product beyond the specification described in this document.

DISCLAIMER

1. EVERLIGHT reserves the right(s) on the adjustment of product material mix for the specification.
2. The product meets EVERLIGHT published specification for a period of twelve (12) months from date of shipment.
3. The graphs shown in this datasheet are representing typical data only and do not show guaranteed values.
4. When using this product, please observe the absolute maximum ratings and the instructions for using outlined in these specification sheets. EVERLIGHT assumes no responsibility for any damage resulting from the use of the product which does not comply with the absolute maximum ratings and the instructions included in these specification sheets.
5. These specification sheets include materials protected under copyright of EVERLIGHT. Reproduction in any form is prohibited without obtaining EVERLIGHT's prior consent.
6. This product is not intended to be used for military, aircraft, automotive, medical, life sustaining or life saving applications or any other application which can result in human injury or death. Please contact authorized Everlight sales agent for special application request.

单击下面可查看定价，库存，交付和生命周期等信息

[>>Everlight\(亿光\)](#)