

### CHIN Series ELCH06-BJ4J6Z10-N0

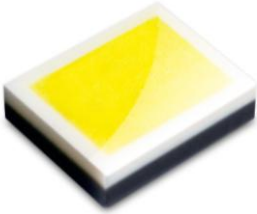
<b>Received</b>	
<input checked="" type="checkbox"/>	MASS PRODUCTION
<input type="checkbox"/>	PRELIMINARY
<input type="checkbox"/>	CUSTOMER DESIGN
DEVICE NO. : DHE-0001303	
PAGE : 13	

<b>Revised record</b>		
REV.	DESCRIPTION	RELEASE DATE
1	New spec	2010.12.01
2	1.Change format 2.Change IV 、 CCT 、 VF BIN 3.Change Package Dimension	2011.11.03
3	Add page 3 note.	2012.12.26
4	Input Low current low VF	2013.10.20
5	Change Product Labeling	2015.10.15

## CHIN Series

### ELCH06-BJ4J6Z10-N0

MASS PRODUCTION



#### Features

- Small & compact package and with high efficiency
- Typical luminous flux: 200 lm @ 1000mA
- Typical color temperature: 6000 K@1000mA
- Optical efficiency@1000mA : 54 lm/W
- ESD protection up to 8KV
- Moisture Sensitivity Level (MSL) Class 1
- Grouping parameter: total luminous flux, color coordinates.
- RoHS compliant & Pb free.

#### Applications

- Mobile Phone Camera Flash(Camera flash light /strobe light for mobile devices )
- Torch light for DV(Digital Video) application
- Indoor lighting applications
- Signal and symbol luminaries for orientation maker lights (e.g. steps, exit ways, etc.)
- TFT backlighting
- Exterior and interior illumination applications
- Decorative and Entertainment Lighting
- Exterior and interior automotive illumination

## Device Selection Guide

Chip Materials	Emitted Color
InGaN	White

## Absolute Maximum Ratings ( $T_{solder\ pad} = 25^{\circ}C$ )

Parameter	Symbol	Rating	Unit
DC Forward Current (mA)	$I_F$	350	mA
Peak Pulse Current (mA) (400ms : ON , 3600ms : OFF)	$I_{Pulse}$	1500	mA
ESD Resistance	$V_B$	8000	V
Reverse Voltage	$V_R$	[1]	V
Junction Temperature	$T_J$	125	$^{\circ}C$
Thermal Resistance(junction to case)	$R_s$	10	$^{\circ}C/W$
Operating Temperature	$T_{Opr}$	-40 ~ +85	$^{\circ}C$
Storage Temperature	$T_{Stg}$	-40 ~ +110	$^{\circ}C$
Power Dissipation (Pulse Mode)	$P_d$	6.5	W
Soldering Temperature	$T_{Sol}$	260	$^{\circ}C$
Allowable Reflow Cycles	n/a	2	cycles
Viewing Angle <sub>(2)</sub>	$2\theta_{1/2}$	120	deg

Note:

1. The Chin series LEDs are not designed for reverse bias used
2. View angle tolerance is  $\pm 5^{\circ}$
3. Avoid operating Chin series LEDs at maximum operating temperature exceed 1 hour.
4. All specification are assured by reliability test for 1000hr, IV degradation less than 30%.
5. For 1500 mA all reliability items are tested under good thermal management with 1.0x 1.0 cm<sup>2</sup> MCPCB.
6. Peak pulse current shall be applied under conditions as max duration time 50ms and max duty cycle 10%
7. Operate LED component at maximum rating conditions continuously will cause possible permanent damage and de-rating parameters.  
Exercise multiple maximum rating parameters simultaneously should not be allowed. When maximum rating parameters are applied over a long period will result potential reliability issue.

### JEDEC Moisture Sensitivity

Level	Floor Life		Soak Requirements Standard	
	Time (hours)	Conditions	Time (hours)	Conditions
1	unlimited	$\leq 30^{\circ}\text{C} / 85\% \text{ RH}$	168(+5/-0)	$85^{\circ}\text{C} / 85 \text{ RH}$

### Electro-Optical Characteristics ( $T_{\text{solder pad}} = 25^{\circ}\text{C}$ )

Parameter	Symbol	Min.	Typ.	Max.	Unit	Condition
Luminous Flux <sub>(1)</sub>	$\Phi_v$	160	200	250	lm	$I_F = 1000\text{mA}$
Forward Voltage <sub>(2)(3)</sub>	$V_F$	2.95	----	4.45	V	
Low current low VF@ $10\mu\text{A}$ <sub>(4)</sub>	VF	2.0	----	----	V	
Correlated Color Temperature	CCT	4500	----	7000	K	

Note:

1. Luminous flux measurement tolerance:  $\pm 10\%$
2. Forward voltage measurement tolerance:  $\pm 0.1\text{V}$
3. Electric and optical data is tested at 50 ms pulse condition
4. Low current voltage measurement tolerance:  $\pm 10\%$

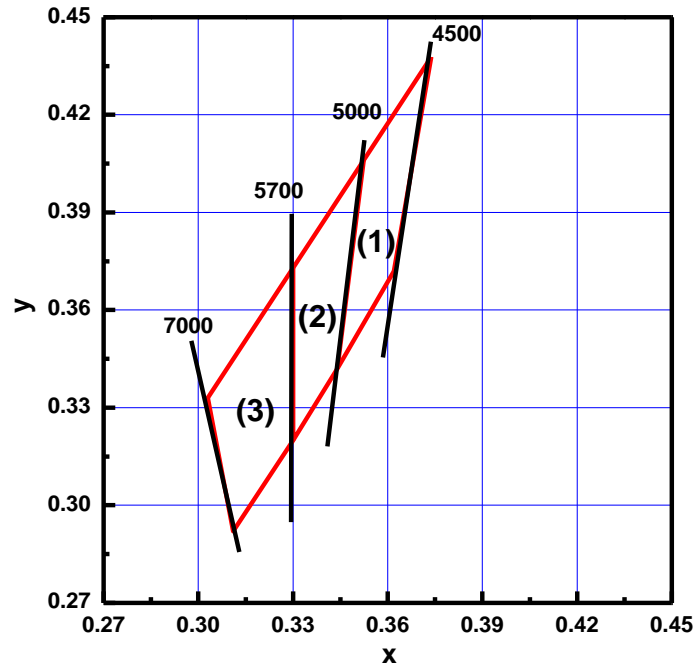
### Bin Range of Forward Voltage Binning

Bin Code	Min.	Typ.	Max.	Unit	Condition
2932	2.95	----	3.25	V	$I_F = 1000\text{mA}$
3235	3.25	----	3.55		
3538	3.55	----	3.85		
3841	3.85	----	4.15		
4144	4.15	----	4.45		

### Bin Range of Luminous Intensity

Bin Code	Min.	Typ.	Max.	Unit	Condition
J4	160	----	180	lm	I <sub>F</sub> =1000mA
J5	180	----	200		
J6	200	----	250		

### White Bin Structure



Notes :

1. Color Bin (1) : 4550K
2. Color Bin (2) : 5057K
3. Color Bin (3) : 5770K

### White Bin Coordinate

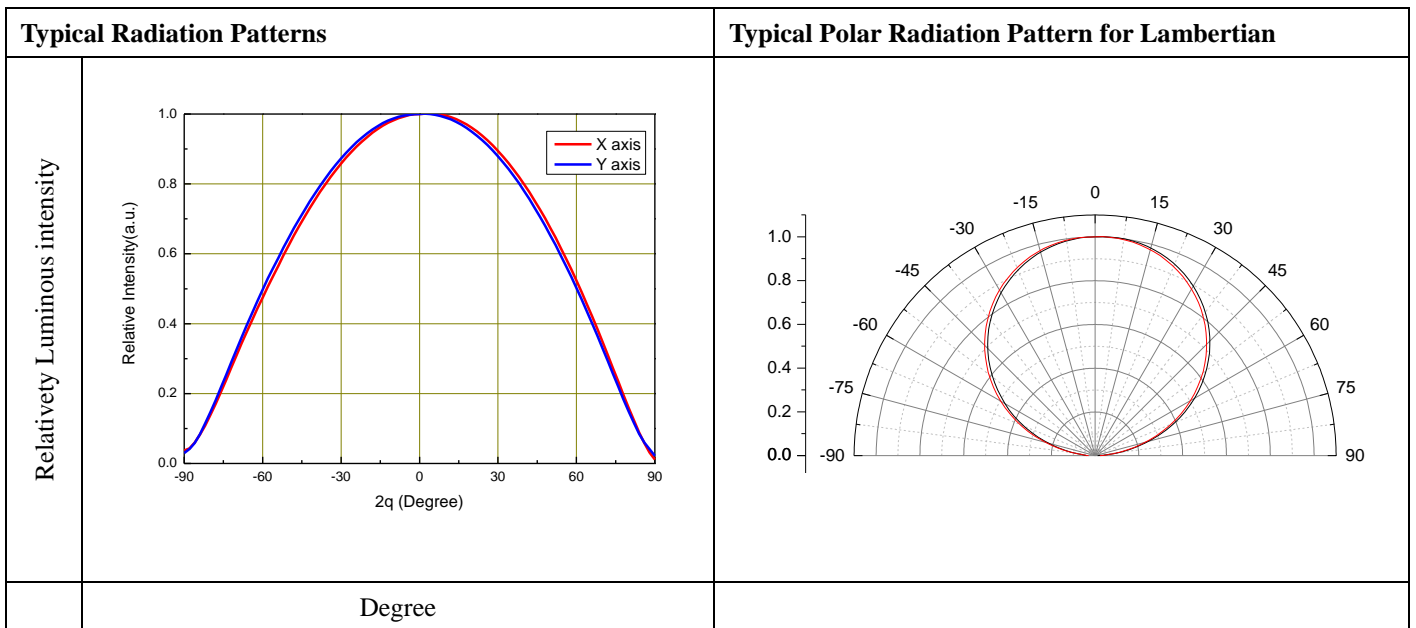
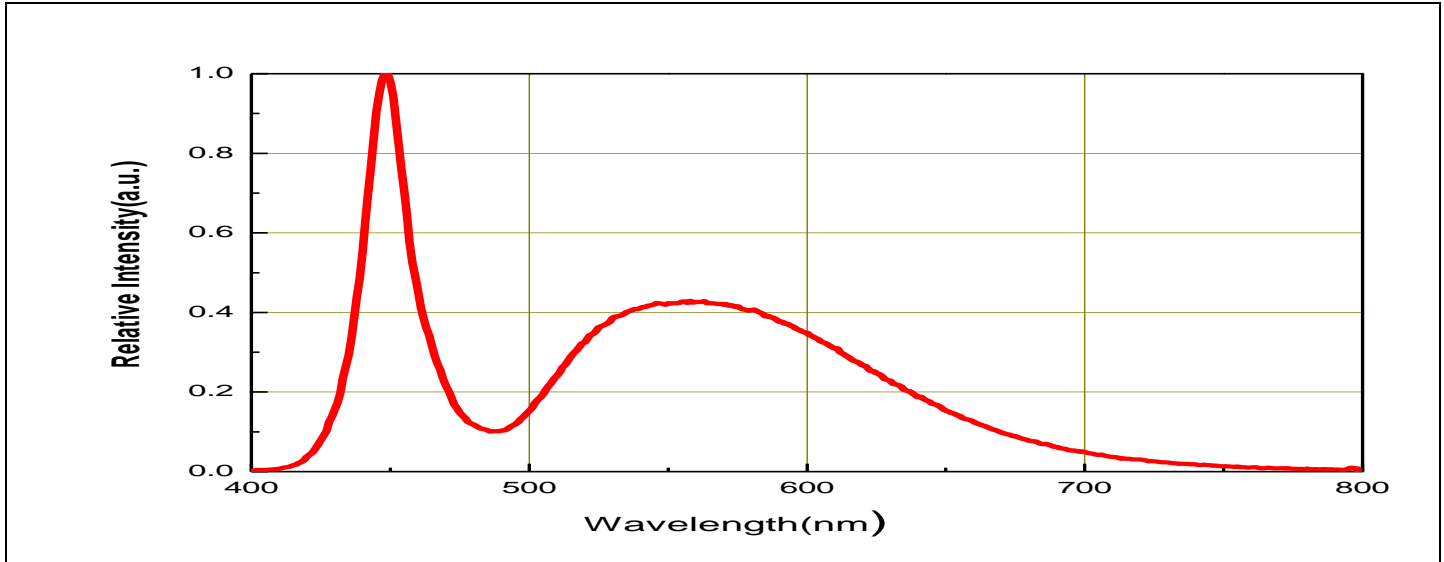
Bin	CIE-X	CIE-Y	CCT Reference Range
4550	0.3738	0.4378	4500K ~ 5000K
	0.3524	0.4061	
	0.3440	0.3420	
	0.3620	0.3720	
5057	0.3300	0.3200	5000K ~ 5700K
	0.3300	0.3730	
	0.3440	0.3420	
	0.3524	0.4061	
5770	0.3030	0.3330	5700K ~ 7000K
	0.3300	0.3730	
	0.3300	0.3200	
	0.3110	0.2920	

Note:

1. Color coordinates measurement allowance :  $\pm 0.01$
2. Color bins are defined at  $I_F = 1000\text{mA}$  and 50ms pulse operation condition.

Typical Electro-Optical Characteristics Curves

Relative Spectral Distribution,  $I_F=1000\text{mA}@50\text{ms}$ ,  $T_{\text{solder pad}}=25^\circ\text{C}$

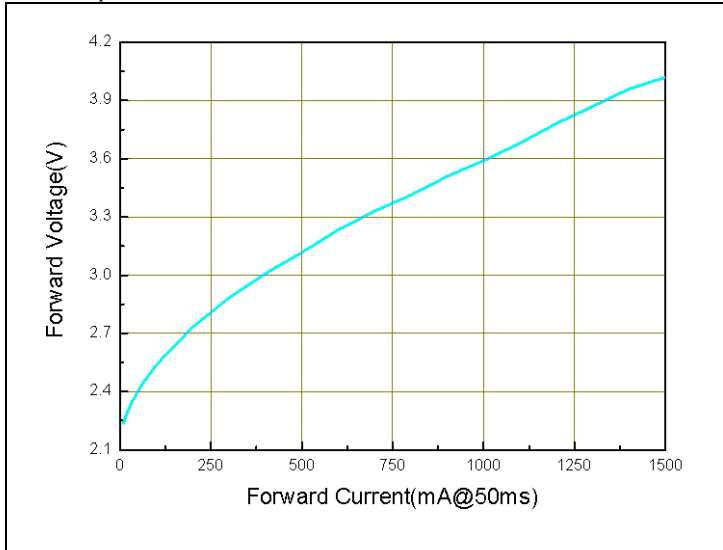


Note:

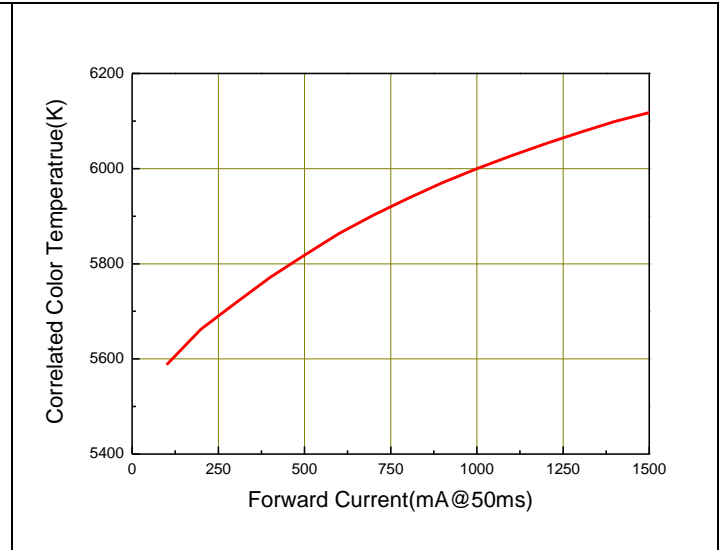
- $2\theta_{1/2}$  is the off axis angle from lamp centerline where the luminous intensity is 1/2 of the peak value.
- View angle tolerance is  $\pm 5^\circ$ .

**Forward Voltage vs Forward Current,**

$T_{solder\ pad} = 25^{\circ}C$

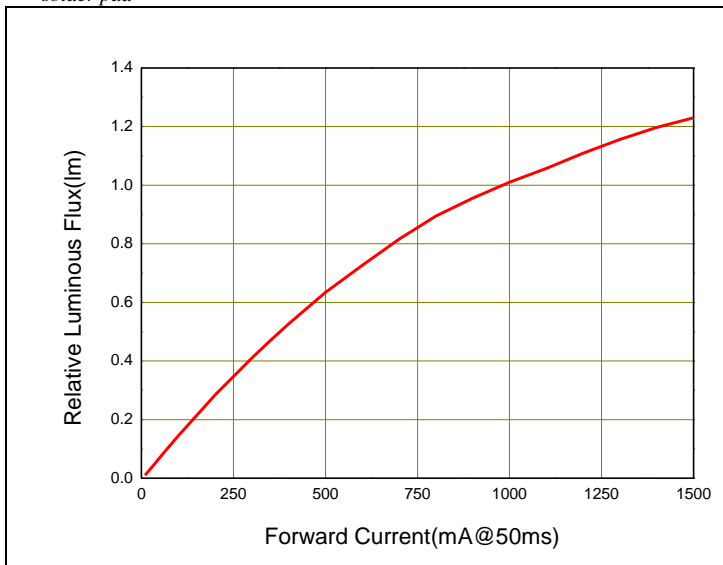


**Correlated Color Temperature(CCT) vs. Forward Current**

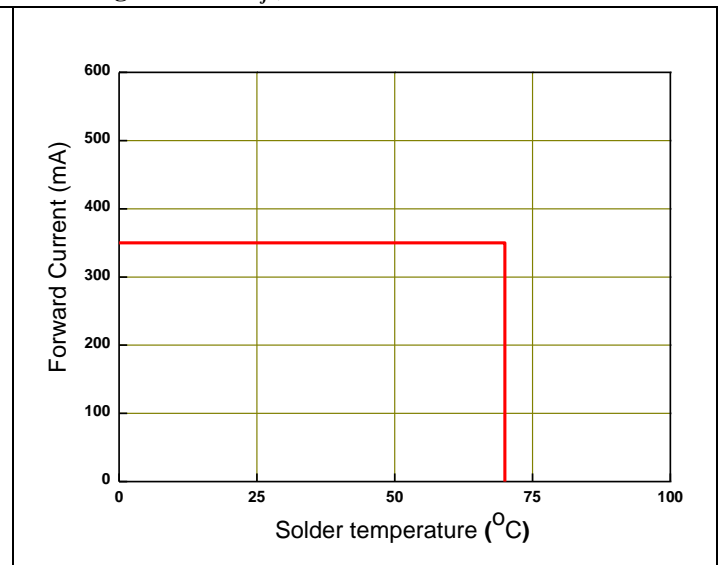


**Luminous Flux vs Forward Current,**

$T_{solder\ pad} = 25^{\circ}C$



**Forward Current Derating Curve,  
Derating based on  $T_{j\ MAX} = 125^{\circ}C$  at torch mode**

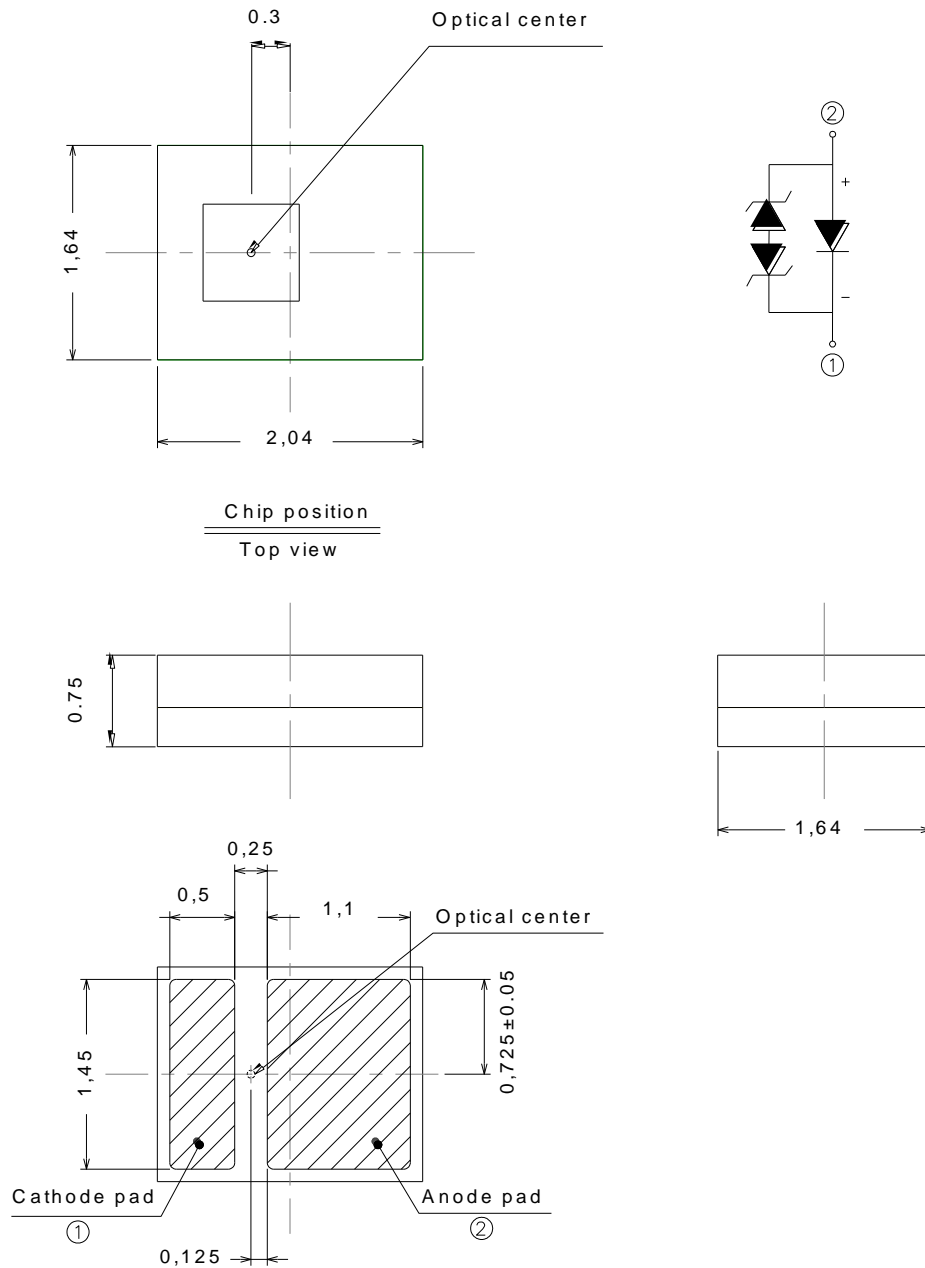


Note:

1. All correlation data is tested under superior thermal management with 1.0x 1.0 cm<sup>2</sup> MCPCB



## Package Dimension



Note:

1. Dimensions are in millimeters.
2. Tolerances unless mentioned are  $\pm 0.1$  mm.

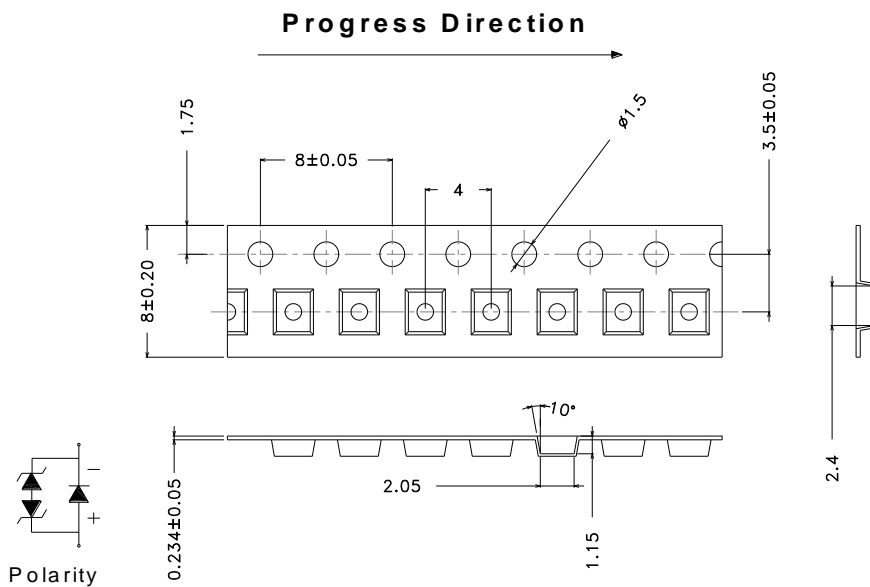
## Moisture Resistant Packing Materials

### Label Explanation



- CPN:Customer's Product Number
- P/N:Everlight Product Number
- LOT NO:Lot Number
- QTY:Packing Quantity
- CAT:Luminous Flux (Brightness) Bin
- HUE:Color Bin
- REF:Forward Voltage Bin
- REFERENCE:Reference
- MSL-X:MSL Level

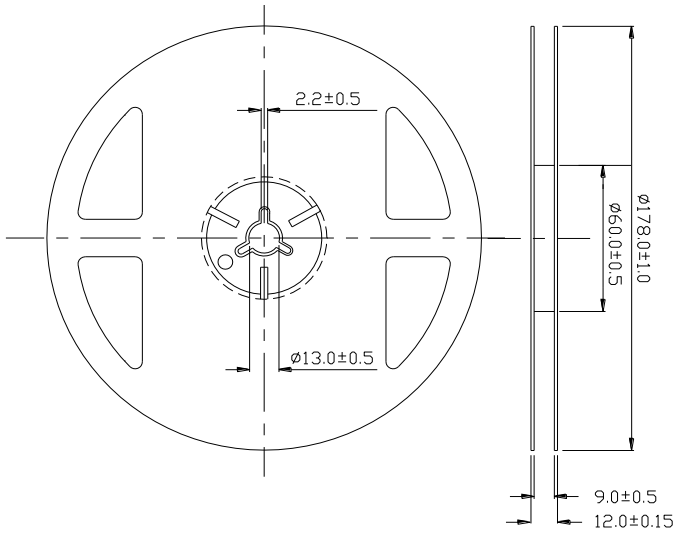
### Carrier Tape Dimensions: Loaded Quantity 2000 pcs Per Reel



Note:

1. Dimensions are in millimeters.

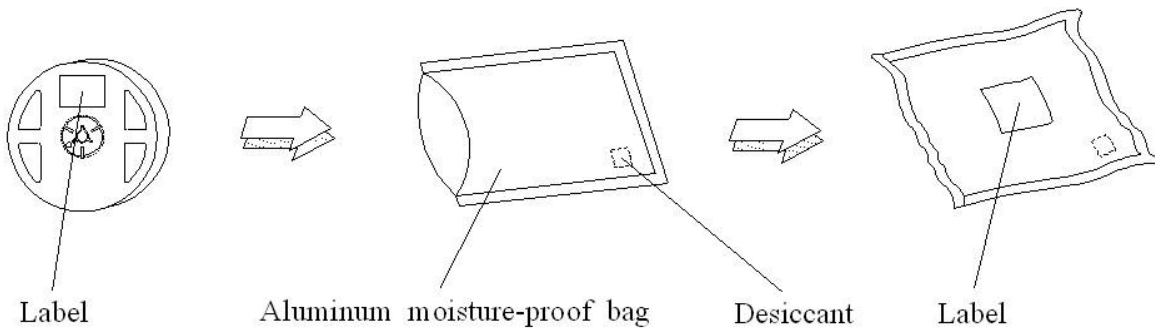
**Reel Dimensions**



**Note:**

1. Dimensions are in millimeters.

**Moisture Resistant Packing Process**



## Reflow Soldering Characteristics

### Soldering and Handling

#### 1. Over-current-proof

Though Chin series has conducted ESD protection mechanism, customers must not use the device in reverse and should apply resistors for extra protection. Otherwise, slight voltage shift may cause enormous current shift and burn out failure would happen

#### 2. Storage

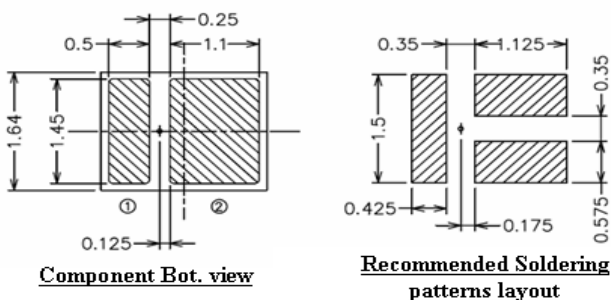
- i. Do not open the moisture-proof bag before the products are ready to use.
- ii. Before opening the package, the LEDs should be stored at temperature less than 30°C and less and relative humidity less than 90%.  
After opening the package, the LEDs should be stored at temperature less than 30°C and relative humidity less than 85%.
- iii. If the moisture absorbent material (silicone gel) has faded away or the LEDs have exceeded the storage time, baking treatment should be implemented based on the following conditions: Pre-curing at 60±5°C for 24 hours.

#### 3. Thermal Management

- i. For maintaining the high flux output and achieving reliability, Chin series LEDs should be mounted on a metal core printed circuit board (MCPCB), with proper thermal connection to dissipate approximately 1W to 5W of thermal energy under normal operation.
- ii. Sufficient thermal management must be conducted, or the die junction temperature will be over the limit under large electronic driving and LEDs lifetime will decrease critically
- iii. When operating , the solder pad temperature ( or the board temperature nearby the LED) must controlled under 70°C .

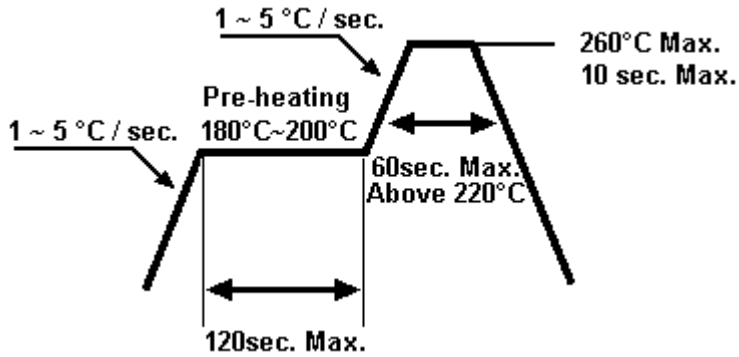
#### 4. Soldering Condition

##### 4.1 Soldering Pad



4.2 For Reflow Process

i. Lead reflow soldering temperature profile



- ii. Reflow soldering should not be done more than two times.
- iii. While soldering, do not put stress on the LEDs during heating.
- iv. After soldering, do not warp the circuit board.

单击下面可查看定价，库存，交付和生命周期等信息

[>>Everlight \(亿光\)](#)