

TCXO 2TG2600001	Product Specification	Produced date Revised date	2015.06.25
----------------------------------	------------------------------	-------------------------------	------------

Product Specification

TCXO

Model	2TG2600001
Size	2520
Frequency	26.000000MHz
Type	TCXO
Vcc	+1.7V ~ +3.3V
Vcont	-
AFC Range	-
Temp.	±0.5ppm max. @ -30 ~ +85°C
Slope	±0.1ppm/°C max. @ -20 ~ +70°C, ±0.2ppm/°C max. @ -30 ~ -20°C, ±0.2ppm/°C max. @ +70 ~ +85°C
Initial Frequency	±1.0ppm max.

Issued Date	2015.06.25
Revised Date	
Customer	
Prepared part	R&D
Drawn	Bai CuiLi
Checked	Jin Zhe
Approved	Liu GuoQiang

TCXO 2TG2600001	Product Specification	Produced date Revised date	2015.06.25
--------------------	------------------------------	-------------------------------	------------

1. Electrical Characteristics

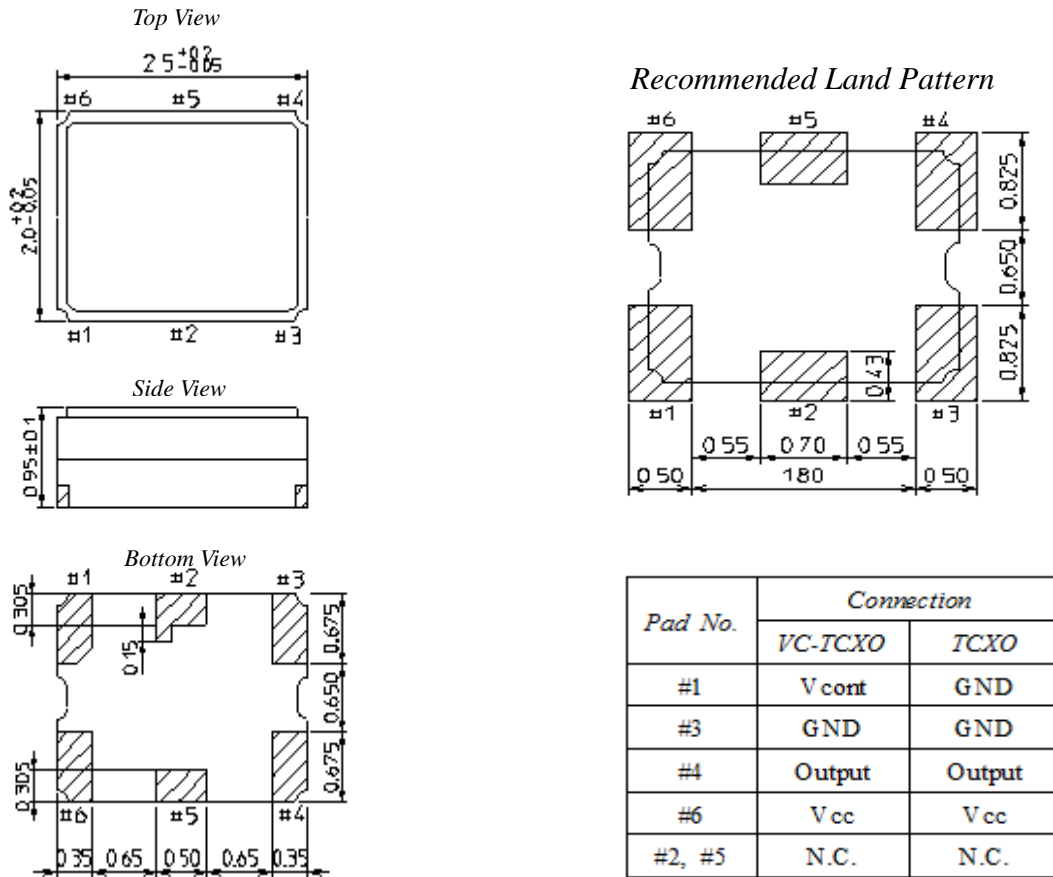
Supply Voltage(Vcc)	+1.8V ±5%
	+2.4V ±5%
	+2.8V ±5%
	+3.0V ±5%
Output Load	10kohm//10pF ±10%
Control Voltage(Vcont)	-

Parameter	Value	Conditions
Output Level	0.8Vp-p min	Clipped sine wave(DC-coupled)
Current	1.5mA max	10koms//10pF ±10%
Operating Temperature Range	-30 ~ +85°C	
Storage Temperature Range	-40 ~ +85°C	
Frequency Stability		
vs. Temperature(-30 ~ +85°C)	±0.5ppm max.	Referenced to 25°C frequency
vs. Supply Voltage	±0.2ppm max.	1.8V ±5% , 2.4V ±5% , 2.8V ±5% , 3.0V ±5%
vs. Load	±0.2ppm max.	5koms//40pF ±10% each
vs. Aging	±1.0ppm max.	1Year
vs. Reflow soldering	±1.0ppm max.	2times
Frequency Stability Slope		
vs. Temperature(-20 ~ +70°C)	±0.1ppm/°C max.	Every 2°C
vs. Temperature(-30 ~ -20°C)	±0.2ppm/°C max.	
vs. Temperature(+70 ~ +85°C)	±0.2ppm/°C max.	
Initial Frequency Tolerance	±1.0ppm max.	+25°C
Startup Time	2ms max.	more than 90% of final amplitude
Voltage Control Range		
Phase Noise	-92dBc/Hz typ. -116dBc/Hz typ. -137dBc/Hz typ. -144dBc/Hz typ. -144dBc/Hz typ.	10Hz offset 100Hz offset 1KHz offset 10KHz offset 100Hz offset

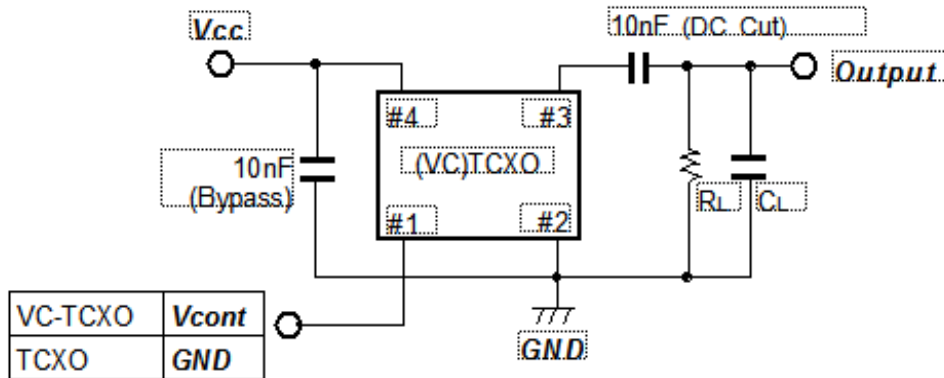
TCXO 2TG2600001	Product Specification	Produced date Revised date	2015.06.25
----------------------------------	------------------------------	-------------------------------	------------

2. Outline Specification

Unit: mm



Measurement Circuit



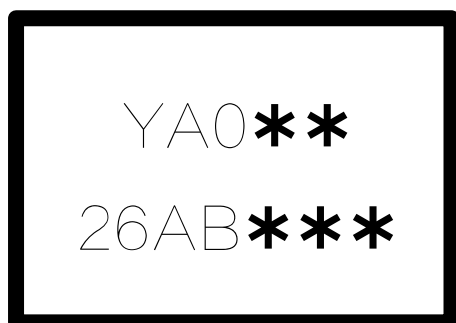
Note:

Please connect a bypass capacitor closely to V_{cc} Pad.

Load capacitance (CL) includes probe and test board capacitance.

TCXO 2TG2600001	Product Specification	Produced date Revised date	2015.06.25
--------------------	------------------------------	-------------------------------	------------

3. Marking Specification



● *CRYSTAL Marking*: $\frac{Y}{\textcircled{1}} \frac{A0}{\textcircled{2\sim3}} \frac{**}{\textcircled{4\sim5}}$

● *TCXO Marking*: $\frac{26A}{\textcircled{1\sim3}} \frac{B}{\textcircled{4}} \frac{***}{\textcircled{5\sim7}}$

<i>CRYSTAL Marking</i>		
<i>Digit order</i>	<i>Symbol</i>	<i>Explanation</i>
1	Y	YL(YouLian)
2~3	A0	Frequency
4~5	**	Production Week
<i>TCXO Marking</i>		
<i>Digit order</i>	<i>Symbol</i>	<i>Explanation</i>
1~3	26A	Frequency
4	B	Serial Number(A~Z)
5~7	***	Production Year + Month + Day

<i>CRYSTAL Frequency:A0</i>					
<i>Symbol</i>	<i>Frequency [MHz]</i>	<i>Symbol</i>	<i>Frequency [MHz]</i>	<i>Symbol</i>	<i>Frequency [MHz]</i>
A0	26.000000	E0	16.367000	I0	24.576000
B0	19.200000	F0	16.384000	J0	20.480000
C0	40.000000	G0	27.456000		
D0	16.368000	H0	38.400000		
<i>TCXO Frequency:26A</i>					
<i>Symbol</i>	<i>Frequency [MHz]</i>	<i>Symbol</i>	<i>Frequency [MHz]</i>	<i>Symbol</i>	<i>Frequency [MHz]</i>
16B	16.367667	13A	13.000000	40A	40.000000
16C	16.367000	19B	19.200000	38B	38.400000
16D	16.367600	26A	26.000000		
16E	16.368000	32A	32.000000		
16F	16.369000	32B	32.768000		

单击下面可查看定价，库存，交付和生命周期等信息

[>>FAILONG\(惠伦晶体\)](#)