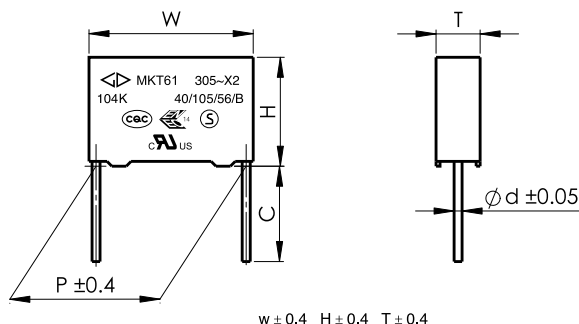


金属化聚酯膜抗干扰电容器 (X2类, THB防潮系列) Metallized polyester film interference suppression capacitor (Class X2, Temperature Humidity Bias (THB) series)

■ 外形图 Outline Drawing



■ 特点

- 金属化聚酯膜内串式结构
- 在严苛的环境下(如高湿高温)长期应用容量稳定性优异
- 优异的阻燃性能
- 广泛用于电源串联连接和阻容降压场合例如: 电表, LED供电模块等。

■ Features

- Metallized polyester with series construction
- High stability of capacitance under severe ambient condition, such as high humidity and high temperature
- Excellent active and passive flame resistant abilities
- For connection in series with the mains and capacitive divider power supply, such as energy meter, LED driver etc

■ 安全认证 Safety Approvals

●		CQC (中国)	IEC 60384-14:2013, X2, 305Vac, 0.01 μ F ~ 2.2 μ F, 40/105/56/B 证书号(Certificate No.): CQC03001002873
●		ENEC-SEMKO (欧盟)	EN 60384-14:2013, X2, 305Vac, 0.01 μ F ~ 2.2 μ F, 40/105/56/B 证书号(Certificate No.): SE/0366-5A
●		UL/CUL (美国/加拿大)	UL60384-14:2014, CSA E60384-14:09, X2, 305Vac, 0.01 μ F ~ 2.2 μ F, 40/105/56/B 证书号(File No.): E186600, CCN: FOWX2/8

■ 技术要求 Specifications

电容器类别 Class	X2 类		
气候类别 / 阻燃等级 Climatic Category/Passive Flammability Category	40/105/56/B		
工作温度范围 Operating Temperature Range	-40°C ~ +105°C		
额定电压 Rated Voltage (U_R)	305Vac, 50/60Hz		
最大连续直流电压 Maximum continuous DC voltage	560Vdc		
电容量范围 Capacitance Range	0.010 μ F ~ 2.2 μ F		
电容量偏差 Capacitance Tolerance	$\pm 10\%$ (K), $\pm 20\%$ (M)		
耐电压 Voltage Proof	引线之间 Between Terminals:	4.3 U_R (dc), 2s	
	极壳之间 Between Terminals To Case:	2 120Vac, 1min	
绝缘电阻 Insulation Resistance	R $\geq 15\ 000\ \Omega$, $C_N \leq 0.33\ \mu$ F RC _N $\geq 5\ 000$ s, $C_N > 0.33\ \mu$ F (20°C, 100V, 1min)		
损耗角正切 Dissipation Factor (tan δ)	0.010 μ F $\leq C_N \leq 1.0\ \mu$ F	$\leq 80 \times 10^{-4}$ (1kHz, 20°C)	$\leq 150 \times 10^{-4}$ (10kHz, 20°C)
	1.0 μ F < C _N	$\leq 80 \times 10^{-4}$ (1kHz, 20°C)	-----
耐湿负荷测试 THB test (Damp heat test with loading)	Temperature: 85°C ± 2 °C ; Humidity: 85%RH $\pm 2\%$ RH Voltage: 240Vac, 50Hz; Duration: 1 000h		
	Capacitance change ($\Delta C/C$): $\leq 10\%$ Dissipation factor change ($\Delta \tan \delta$): $\leq 0.5\%$ (1kHz) Insulation resistance: $\geq 50\%$ of the rated value		



MKT61

Code: C26

产品编码说明 Part number system

■ 18位产品代码如下:

The 18 digits part number is formed as follow:

1	2	3	4	5	6	7	8	9	10	11	12	13	14	15	16	17	18
C	2	6															

第1~3位	型号代码 C26=MKT61	Digit 1 to 3	Series code C26=MKT61
第4~5位	交流额定电压 Q2=305V P2=275V	Digit 4 to 5	AC rated voltage Q2=305V P2=275V
第6~8位	标称容量 举例: 103=10 × 10 ³ pF=0.01 μF	Digit 6 to 8	Rated capacitance value For example : 103=10 × 10 ³ pF=0.01 μF
第9位	容量偏差 K= ± 10%, M= ± 20%	Digit 9	Capacitance tolerance K= ± 10%, M= ± 20%
第10位	引线脚距P 4=10.0mm 6=15.0mm 9=22.5mm B=27.5mm F=37.5mm	Digit 10	Pitch 4=10.0mm 6=15.0mm 9=22.5mm B=27.5mm F=37.5mm
第11位	内部特征码	Digit 11	Internal use
第12~15位	引线加工和包装代码	Digit 12 to 15	Lead form and packaging code
第16~18位	内部特征码	Digit 16 to 18	Internal use

■ Table 1 引线加工和包装代码 lead form and packaging code

第 12 位 Digit 12		第 13 位 Digit 13		第 14 位 Digit 14		第 15 位 Digit 15	
代码 Code	说明 explanation	代码 Code	说明 explanation	代码 Code	说明 explanation	代码 Code	说明 explanation
A	弹带包装 ammo-pack	3 4 6	F=7.5mm F=10.0mm F=15.0mm	0	表示直脚 straight	1 5	产品在连续的两个载带孔之间 each cap. among two consecutive holes P3=12.7mm,H=18.5mm (For pitch=7.5mm) P3=25.4mm;H=18.5mm (For pitch=10.0/15.0mm) (Detail parameter refer to catalogue pag 17)
C	直脚 straight lead “C” in the figure above	代码 Code 00 45	说明 explanation 标准的引线长度 (18mm~26mm) standard lead length 引线长度 4.5mm lead length 4.5mm			0	引线长度偏差 ± 0.5mm 或标准长度 Length tolerance ± 0.5mm Or standard length
D	软绝缘线 (多股) Insulated stranded leads	C5 K0 K2 L0	35mm 100mm 120mm 200mm 注 1: 这里的长度包含剥线长度 Note 1: This length includes the stripping parts. 注 2: 一般 P ≥ 27.5 产品才可选用绝缘线方式 Note 2: Normally, for P ≥ 27.5 Caps can choice Insulated leads.			1 2 3 4	引线长度偏差 -5mm ~ 0mm Length tolerance -5 mm ~ 0 mm 引线长度偏差 0 mm ~ +5 mm Length tolerance 0 mm ~ +5 mm 引线长度偏差 0 mm ~ +10mm Length tolerance 0 mm ~ +10mm 引线长度偏差 ± 5 mm Length tolerance ± 5 mm
E	硬绝缘线 (单股) Insulated solid leads						
M	软绝缘线 (多股), 外壳带正底安装耳 Insulated stranded leads Box with mounting foot						

■ 外形尺寸 Dimensions (mm)

305Vac						
C _N (μF)	W ±0.4	H ±0.4	T ±0.4	P ±0.4	d ±0.4	Part number
0.010	13.0	9.0	4.0	10.0	0.6	C26Q2103-40****+++
0.012	13.0	9.0	4.0	10.0	0.6	C26Q2123-40****+++
0.015	13.0	9.0	4.0	10.0	0.6	C26Q2153-40****+++
0.018	13.0	9.0	4.0	10.0	0.6	C26Q2183-4S****+++
0.022	13.0	9.0	4.0	10.0	0.6	C26Q2223-4S****+++
0.027	13.0	11.0	5.0	10.0	0.6	C26Q2273-4S****+++
0.033	13.0	11.0	5.0	10.0	0.6	C26Q2333-4S****+++
0.039	13.0	11.0	5.0	10.0	0.6	C26Q2393-4S****+++
0.047	13.0	11.0	5.0	10.0	0.6	C26Q2473-4S****+++
0.056	13.0	12.0	6.0	10.0	0.6	C26Q2563-4S****+++
0.068	13.0	12.0	6.0	10.0	0.6	C26Q2683-4S****+++
0.082	13.0	13.0	7.0	10.0	0.6	C26Q2823-4S****+++
0.10	13.0	14.0	8.0	10.0	0.6	C26Q2104-4S****+++
0.010	17.5	9.5	5.0	15.0	0.6	C26Q2103-60****+++
0.012	17.5	9.5	5.0	15.0	0.6	C26Q2123-60****+++
0.015	17.5	9.5	5.0	15.0	0.6	C26Q2153-60****+++
0.018	17.5	9.5	5.0	15.0	0.6	C26Q2183-60****+++
0.022	17.5	9.5	5.0	15.0	0.6	C26Q2223-60****+++
0.027	17.5	9.5	5.0	15.0	0.6	C26Q2273-60****+++
0.033	17.5	9.5	5.0	15.0	0.6	C26Q2333-60****+++
0.039	17.5	9.5	5.0	15.0	0.6	C26Q2393-6S****+++
0.047	17.5	9.5	5.0	15.0	0.6	C26Q2473-6S****+++
0.056	17.5	9.5	5.0	15.0	0.6	C26Q2563-6S****+++
0.068	17.5	11.0	5.0	15.0	0.6	C26Q2683-6S****+++
0.082	17.5	11.0	5.0	15.0	0.6	C26Q2823-6S****+++
0.10	17.5	12.0	6.0	15.0	0.6	C26Q2104-6S****+++
0.12	17.5	12.0	6.0	15.0	0.6	C26Q2124-6S****+++
0.15	17.5	13.5	7.5	15.0	0.6	C26Q2154-6S****+++
0.18	17.5	13.5	7.5	15.0	0.6	C26Q2184-6S****+++
0.22	17.5	14.5	8.5	15.0	0.6	C26Q2224-6S****+++
0.27	17.5	16.0	10.0	15.0	0.8	C26Q2274-6S****+++
0.33	17.5	16.0	10.0	15.0	0.8	C26Q2334-6S****+++
0.39M	17.5	16.0	10.0	15.0	0.8	C26Q2394M6S****+++
0.39K	17.5	19.0	11.0	15.0	0.8	C26Q2394K6S****+++
0.47M	17.5	19.0	11.0	15.0	0.8	C26Q2474M6S****+++

305Vac						
C _N (μF)	W ±0.4	H ±0.4	T ±0.4	P ±0.4	d ±0.4	Part number
0.10	26.5	15.0	6.0	22.5	0.8	C26Q2104-90****+++
0.12	26.5	15.0	6.0	22.5	0.8	C26Q2124-90****+++
0.15	26.5	15.0	6.0	22.5	0.8	C26Q2154-9S****+++
0.18	26.5	15.0	6.0	22.5	0.8	C26Q2184-9S****+++
0.22	26.5	15.0	6.0	22.5	0.8	C26Q2224-9S****+++
0.27	26.5	16.0	7.0	22.5	0.8	C26Q2274-9S****+++
0.33	26.5	16.0	7.0	22.5	0.8	C26Q2334-9S****+++
0.39	26.5	17.0	8.5	22.5	0.8	C26Q2394-9S****+++
0.47	26.5	17.0	8.5	22.5	0.8	C26Q2474-9S****+++
0.56	26.5	18.5	10.0	22.5	0.8	C26Q2564-9S****+++
0.68	26.5	18.5	10.0	22.5	0.8	C26Q2684-9S****+++
0.82	26.5	20.0	11.0	22.5	0.8	C26Q2824-9S****+++
1.0	26.5	22.0	12.0	22.5	0.8	C26Q2105-9S****+++
1.2	26.5	23.0	13.5	22.5	0.8	C26Q2125-9S****+++
1.5	26.5	24.5	15.5	22.5	0.8	C26Q2155-9S****+++
1.5	26.5	29.5	14.5	22.5	0.8	C26Q2155-9A****+++
0.39	32.0	18.0	9.0	27.5	0.8	C26Q2394-B0****+++
0.47	32.0	18.0	9.0	27.5	0.8	C26Q2474-B0****+++
0.56	32.0	18.0	9.0	27.5	0.8	C26Q2564-BS****+++
0.68	32.0	18.0	9.0	27.5	0.8	C26Q2684-BS****+++
0.82	32.0	20.0	11.0	27.5	0.8	C26Q2824-BS****+++
1.0	32.0	20.0	11.0	27.5	0.8	C26Q2105-BS****+++
1.2	32.0	22.0	13.0	27.5	0.8	C26Q2125-BS****+++
1.5M	32.0	22.0	13.0	27.5	0.8	C26Q2155MBS****+++
1.5K	32.0	25.0	13.0	27.5	0.8	C26Q2155KBS****+++
1.8	32.0	28.0	14.0	27.5	0.8	C26Q2185-BS****+++
2.2	32.0	28.0	14.0	27.5	0.8	C26Q2225-BS****+++
2.2M	32.0	24.5	15.0	27.5	0.8	C26Q2225MBA****+++
1.0	41.0	22.0	11.0	37.5	1.0	C26Q2105-FS****+++
1.2	41.0	22.0	11.0	37.5	1.0	C26Q2125-FS****+++
1.5	41.0	24.0	13.0	37.5	1.0	C26Q2155-FS****+++
1.8	41.0	24.0	13.0	37.5	1.0	C26Q2185-FS****+++
2.2	42.0	28.0	14.0	37.5	1.0	C26Q2225-FS****+++
2.2	41.0	26.0	15.0	37.5	1.0	C26Q2225-FA****+++

备注: 1. “-”表示容量偏差。 “-”=capacitance tolerance code, M=±20%,K=±10%
2. “****”表示引线加工和包装代码(见table 1)。“****”=lead form and packing code(refer to table 1)

单击下面可查看定价，库存，交付和生命周期等信息

[>>Faratronics\(法拉\)](#)