



方成电子（东莞）有限公司  
**Fang cheng Electronics(Dong guan) Co,LTD**  
**SPECIFICATION FOR APPROVAL**

CUSTOMER:

Part Number : 低损输出共模电感

CUSTOMER Number: Common Mode Power line Choke

CUSTOMER Part :

Fangcheng part : FC-HLF2010-H-50uH-20A-LF

DATE: 2022-6-25

REV: 01



Confidential

made in fangcheng:

CUSTOMER APPROD:

| prepad | checd | Approd |
|--------|-------|--------|
| 黄敏     | 陈丽萍   | 刘凡     |

| prepad | checd | Approd |
|--------|-------|--------|
|        |       |        |

THE INFORMATION CONTAINED IN THIS DOCUMENT IS OF A PROPRIETARY NATURE AND IS INTENDED TO BE KEPT CONFIDENTIAL BETWEEN THE SENDER AND THE INTENDED RECIPIENT. IT MAY NOT BE REPRODUCED OR USED WITHOUT EXPRESS WRITTEN PERMISSION OF FC TECHNOLOGIES, OR FC

**Fangcheng Electronics (Dongguan) Co., Ltd.**

Tel: +86 0769-82988010

Fax: +86 0769-82988065

E-mail: yhl@fangchengcoils.com

URL: www.fangchengcoils.com

Address: Building 3, Jinmei Technology Park, No.16 Huanchang West Road, Changping Town, Dongguan City

**Fangcheng Electronics (China-Taiwan)**

Address: No. 31, MRT Road, Zhonghe District, New Taipei City

Tel: +8869-983491379

Postcode: 235050



Customer:

made : 方成电子(东莞)有限公司

Part Number: FC-HLF2010H-50uH-20A-LF

Page: 2 ----- 8

## Description of Revision

| REV | Description of Revision | DATE        | Prepad         | Notes |
|-----|-------------------------|-------------|----------------|-------|
| 01  | Initial Release         | 2022. 6. 25 | <i>zhangli</i> |       |
|     |                         |             |                |       |
|     |                         |             |                |       |
|     |                         |             |                |       |
|     |                         |             |                |       |
|     |                         |             |                |       |
|     |                         |             |                |       |
|     |                         |             |                |       |
|     |                         |             |                |       |
|     |                         |             |                |       |
|     |                         |             |                |       |
|     |                         |             |                |       |
|     |                         |             |                |       |
|     |                         |             |                |       |
|     |                         |             |                |       |
|     |                         |             |                |       |
|     |                         |             |                |       |
|     |                         |             |                |       |
|     |                         |             |                |       |
|     |                         |             |                |       |
|     |                         |             |                |       |
|     |                         |             |                |       |
|     |                         |             |                |       |
|     |                         |             |                |       |
|     |                         |             |                |       |
|     |                         |             |                |       |
|     |                         |             |                |       |
|     |                         |             |                |       |
|     |                         |             |                |       |
|     |                         |             |                |       |
|     |                         |             |                |       |
|     |                         |             |                |       |
|     |                         |             |                |       |
|     |                         |             |                |       |
|     |                         |             |                |       |
|     |                         |             |                |       |
|     |                         |             |                |       |
|     |                         |             |                |       |

|                          |                        |                             |
|--------------------------|------------------------|-----------------------------|
| Prepad<br><i>zhangli</i> | Checd<br><i>Wi-pen</i> | Approd<br><i>David-yuan</i> |
|--------------------------|------------------------|-----------------------------|

Customer:

made : 方成电子(东莞)有限公司

Part Number: FC-HLF2010H-50uH-20A-LF

Page: 3 ----- 8

**Notice of Use**

For the parameters not prescribed in the *Specification for Approval*, please refer to the following standards or the relative industry standards.

1. Product in packing storage condition : temperature 540, RH70%.
2. A storage of - F C -Electronic products for longer than 12 months is not recommended, Within other effects, the terminals may suffer degradation, resulting in bad solderability. Therefore, all products shall be used within the period of 12 months based on the day of shipment.
3. Do not keep products in unsuitable storage conditions, such as areas susceptible to high temperatures, high humidity, dust or corrosion.
- 4 Always handle products with care.
- 5 Don't touch electrodes directly with bare hands as oil secretions may inhibit soldering. Always ensure optimum conditions for soldering.
- 6 When this product will be used on a similar or new project to the original one, sometimes it might be unable to satisfy the specifications due to different condition of usage.
- 7 This inductor itself does not have any protective function in abnormal condition, such as overload, short-circuit, open-circuit conditions, etc. Therefore, it shall be confirmed that there is no risk of smoke, fire, dielectric withstand voltage, insulation resistance, etc., or use in abnormal conditions protective devices or protection circuit in the end product.
- 8 Hi-Pot test with higher voltage than spec value will damage insulating material and shorten its life.

IPC 020D Joint Industry standard

IEC1007 《Transformer and inductors for use in electronic and telecommunication equipment—Measuring methods and test procedures》

(ROHS or other environmental request)



|                          |                        |                             |
|--------------------------|------------------------|-----------------------------|
| Prepad<br><i>zhangli</i> | Checd<br><i>Wu-pen</i> | Approd<br><i>David-yuan</i> |
|--------------------------|------------------------|-----------------------------|

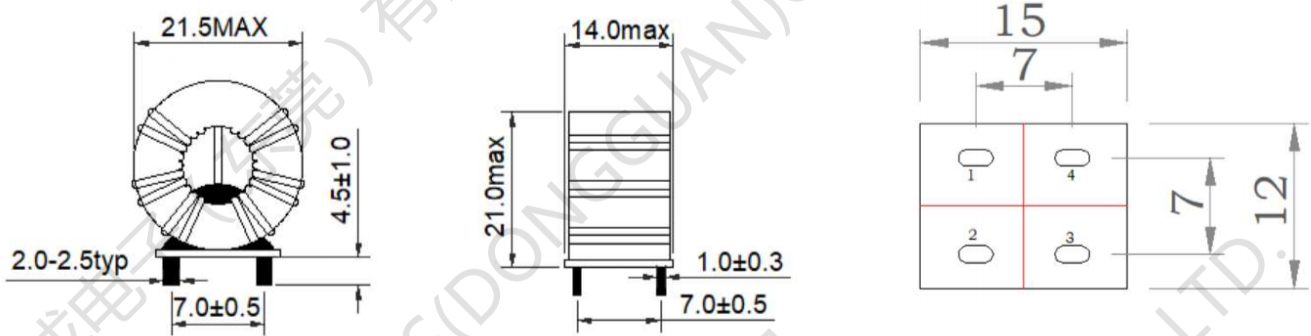
Customer:

made : 方成电子 (东莞) 有限公司

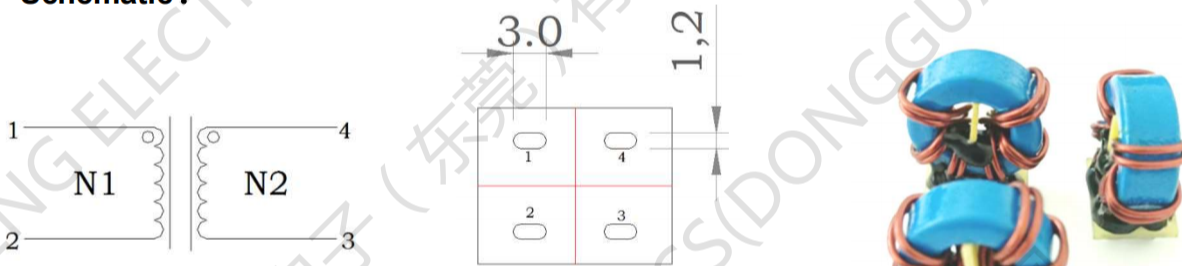
Part Number: FC-HLF2010H-50uH-20A-LF

Page: 4 ----- 8

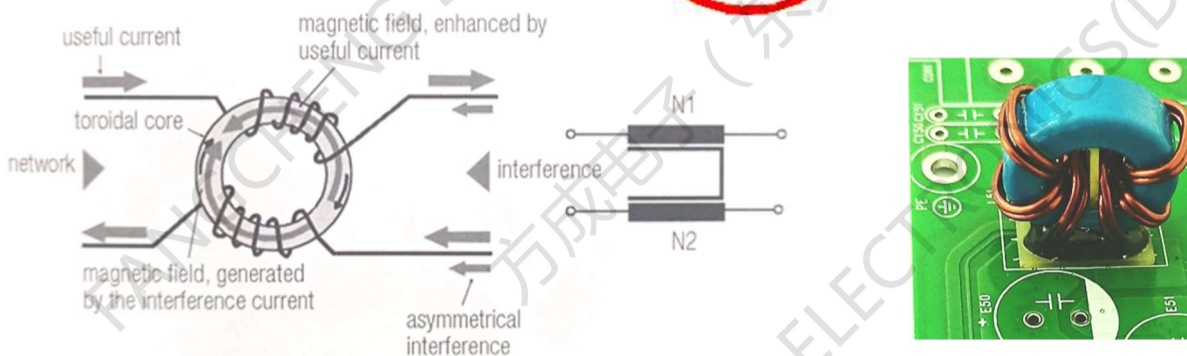
### 1. Appearance and Dimensions(mm)



### 2. Schematic :



### 3. APPLicationg fig :



|                              |                            |                                 |
|------------------------------|----------------------------|---------------------------------|
| Prepad<br><br><i>zhangli</i> | Checd<br><br><i>Yi-pen</i> | Approd<br><br><i>David-yuan</i> |
|------------------------------|----------------------------|---------------------------------|

Customer:

made : 方成电子 (东莞) 有限公司

Part Number: FC-HLF2010H-50uH-20A-LF

Page: 5 ----- 8

## 4. Electrical Characteristics:

| NO<br>序号 | PARAMETER<br>参数          | TERMINAL<br>脚位  | SPCIFICATION<br>规格 | TEST INSTRUMENTS<br>测试设备                   |
|----------|--------------------------|-----------------|--------------------|--|
| 1        | INDUCTANCE<br>电感量        | L=(1-2)         | 50uH/typ           | 100KHz,0.3V WK3260<br>CHROMA 3250 or EQUAL |
| 2        | INDUCTANCE<br>电感量        | L=(4-3)         | 50uH/typ           | 100KHz,0.3V WK3260<br>CHROMA 3250 or EQUAL |
| 3        | 工作电流                     | I=(1-4) I=(2-3) | 20A/min; 25A/typ   | WK3260B                                    |
| 4        | DCR 1                    | R=(1-4)         | 2.0mΩ Max          | CH502 25°C                                 |
|          | DCR 2                    | R=(2-3)         | 2.0mΩ Max          | CH502 25°C                                 |
| 5        | HI-POT                   | N1-N2           | DC 1500V           | 50Hz3mA 5Sec<br>CHROMA 19053 OR EQUAL      |
|          |                          | 绕组-磁芯           | AC/2250            |  |
| 6        | INSULATION<br>RESISTANCE | 绕组-绕组           | 100MΩ 500VDC       | CHROMA 19053 DC500V                        |
|          |                          | 绕组-磁芯           | 100MΩ 500VDC       |  |

Low Primary DCR version

Ambient temperature -40° C to +85° C

Storage temperature Component: -40° C to +125° C

Prepad

*zhangli*

Checd

*Wu-pen*

Approd

*David-yuan*

Customer:

made : 方成电子(东莞)有限公司

Part Number: FC-HLF2010H-50uH-20A-LF

Page: 6 ----- 8

## 5. Reliability and test condition:

| Test item   | test condition                  | Remark |
|---|---------------------------------|--------|
| Cold Operating Test   | GB2423.1 Ad                     |        |
| Heat Operating Test   | GB2423.2 Bd                     |        |
| Cold Storage Test   | GB2423.1 Ab                     |        |
| Heat Storage Test   | GB2423.2 Bb                     |        |
| Steady Damp Heat Test   | GB2423.3 Cb                     |        |
| Circular Damp Heat Test   | GB2423.4 Db                     |        |
| Temperature Cycling Test  | GB2423.22 Nb                    |        |
| Temperature Shock Test  | GB2423.22 Na                    |        |
| Vibration Test  | GB2423.10~15 Fc, Fdb            |        |
| Mechanical Shock Test(Bump)                                     | GB2423.5 Eb                     |        |
| Free Fall Test  | GB2423.8 Ed                     |        |
| Solderability   | GJB360A-96                      |        |
| High Temperature Step Stress Test                               | Enhancement Test Specifications |        |
| Low Temperature Step Stress Test                                |                                 |        |
| High-speed Thermal Cycling                                      |                                 |        |
| Limit Vibration   |                                 |        |
| Composite Stress  |                                 |        |
| Highly-Accelerated Temperature and Humidity Stress Test(HAST) ( |                                 |        |
|   |                                 |        |

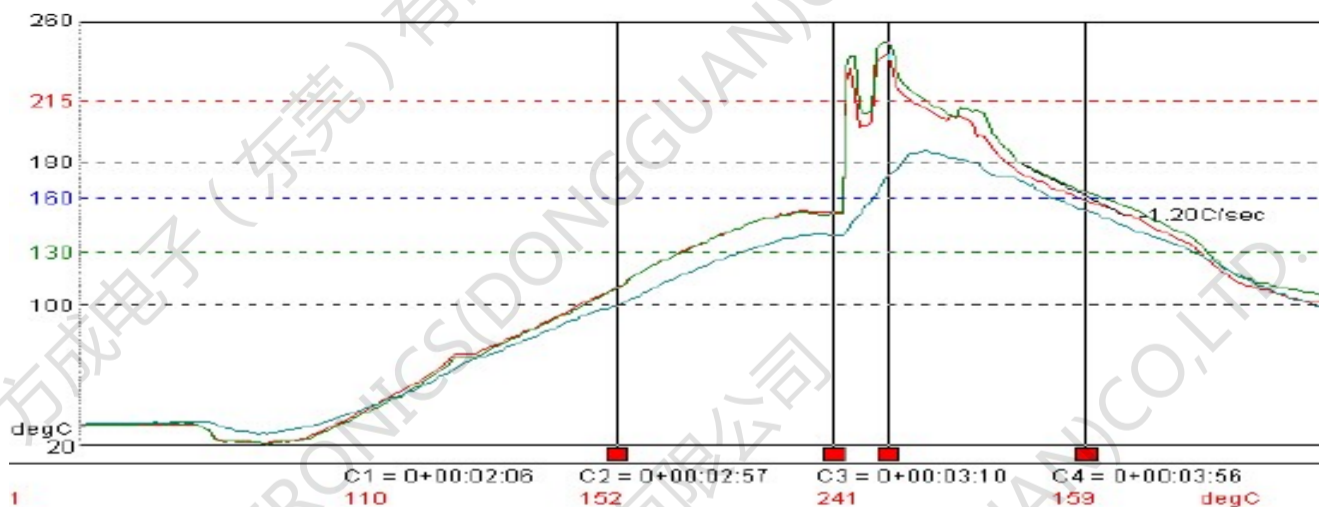


|                          |                          |                               |
|--------------------------|--------------------------|-------------------------------|
| Prepad<br><i>zhangli</i> | Checked<br><i>Wu-pen</i> | Approved<br><i>David-yuan</i> |
|--------------------------|--------------------------|-------------------------------|



## 6. Soldering Specification:

### 6.1 Reflow Profile for Components.



**6.2 波峰焊温度:255°C±5°C;时间:不少于 7 秒.**

波峰焊预热温度:100 至 160°C;时间:不少于 10 秒.

### 6.3 高温耐热性:

在 260°C 的熔融钎料中, 停留时间不少于 10 秒, 无质量问题。

### 6.4 返修温度和时间:

温度: 350°C; 时间: 不少于 5 秒。

### 6.5 焊接次数:

元器件能承受的焊接次数不少于 5 次。

### 7.1 包装:

- 1) 包装箱上应标明产品型号、名称、数量、出厂日期、承制方名称及出厂检验章;
- 2) 货物运达客户方后, 包装箱封条应完好, 箱体无破损、开裂等现象;
- 3) 电感用木箱或其他材料包装, 方便拆卸, 四周用软性材料填充;

### 7.2 外观:

- 1) 产品应有合格证和耐擦防水洗标签, 应注明型号、规格;
- 2) 产品外观整洁, 应无破损、划伤;

### 7.3 检验:

- 1) 产品生产中必须全数进行电气性能, 抗电强度检测; 箱内应有 100% 电气性能合格保证书或检测报告;
- 2) 产品出货前按批次, 必须根据承认书按国家行业标准进行抽样检验, 合格后出具出厂检验报告, 记录抽样测试数据, 在每批次包装尾箱中放置一份; 检验报告须注明 100% 耐压测试合格。注: 批次按订单号发货为准



|                          |                        |                             |
|--------------------------|------------------------|-----------------------------|
| Prepad<br><i>zhangli</i> | Checd<br><i>Wu-pen</i> | Approd<br><i>David-yuan</i> |
|--------------------------|------------------------|-----------------------------|

单击下面可查看定价，库存，交付和生命周期等信息

[>>FC\(方成\)](#)