

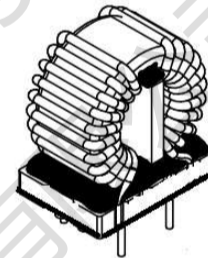
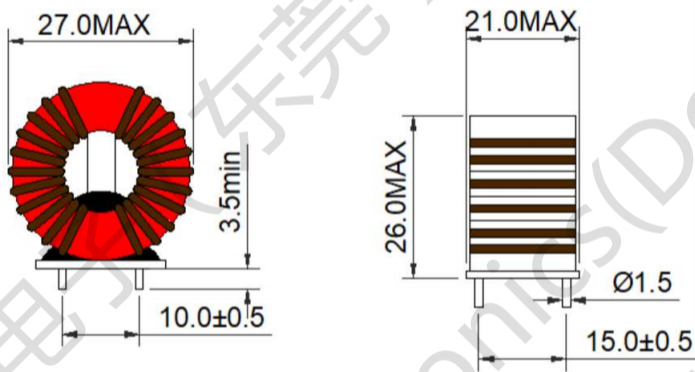
FC-DLFH2520-102Y-LF Common Mode Power Line Choke

- 1. Suitable for common noise reduction of AC Line.
适用于交流输入线路 EMI
- 2. Common mode noise filter for broadband transmission or communication equipment
2. 宽频传输或通信设备的共模噪声滤波器。

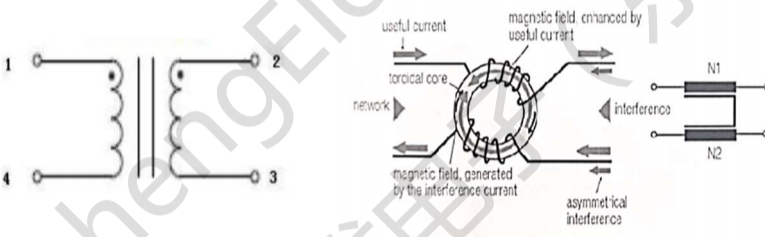


FC-DLFH2520-102Y-LF

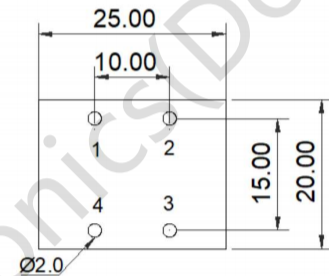
1. Dimensions:mm



2. Schematic:



3. LAYOUT RECOMMENDATION



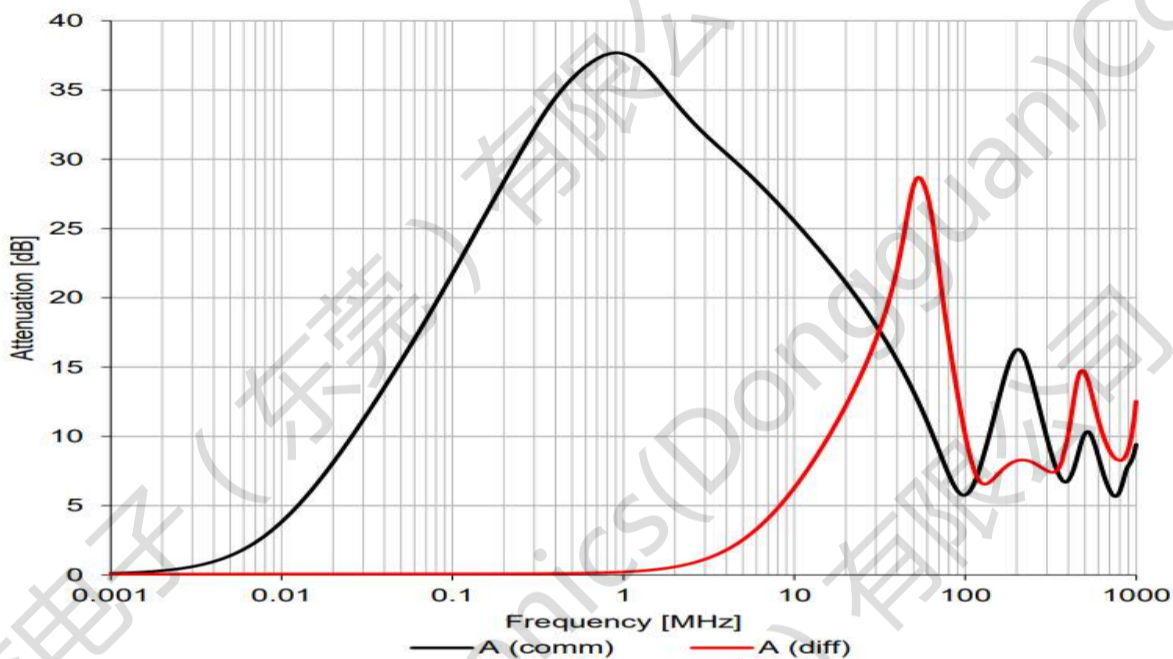
4. ELECTRIC CHARACTERICS

Part Number	Inductance L:mH(-30%+50%) 10KHZ/0.3V	RDC (mΩ) @ 25°C	Current Rating (A)	Insulation test voltage(ACV)
FC-DLFH2520-102Y-LF	1.0	6.5/max	18.0A	1500V

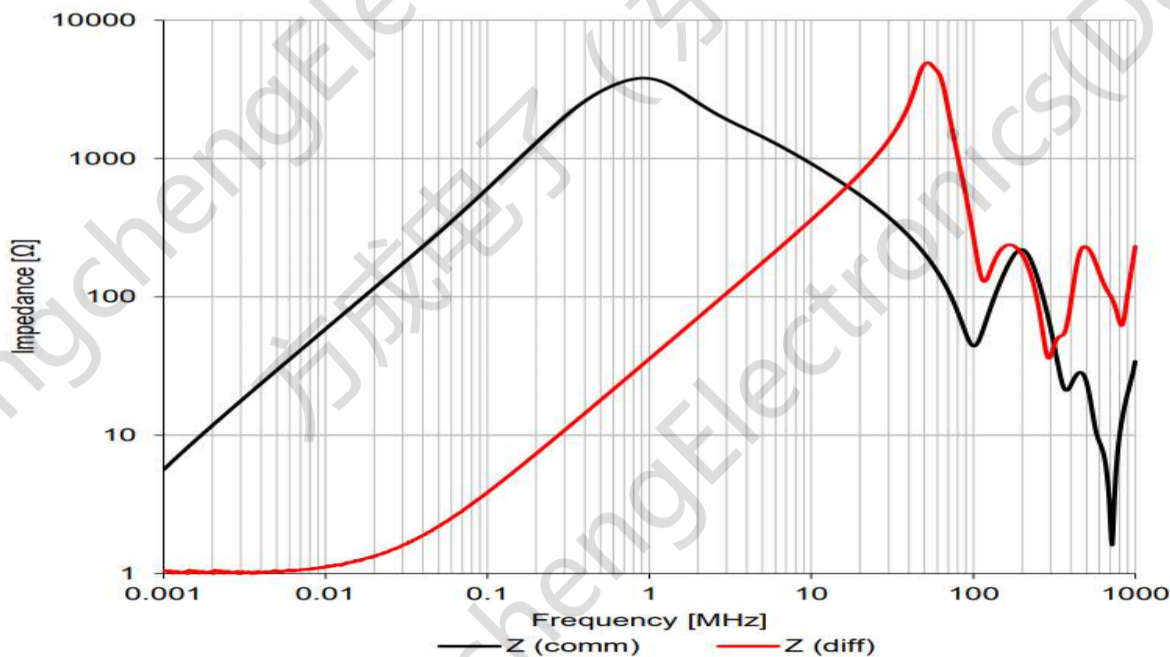
Electrical Specifications @ 25°C — Operating Temperature -40°C to +125°C .

FC-DLFH2520-102Y-LF Common Mode Power Line Choke

5. Typical Attenuation:



6. Typical Impedance Characteristics:



单击下面可查看定价，库存，交付和生命周期等信息

[>>FC\(方成\)](#)