

## SMD Common Mode Line Filter

### FC-SLF0904 –Series

Small si

Frequency Range: 1MHz, 0.1 Vrms

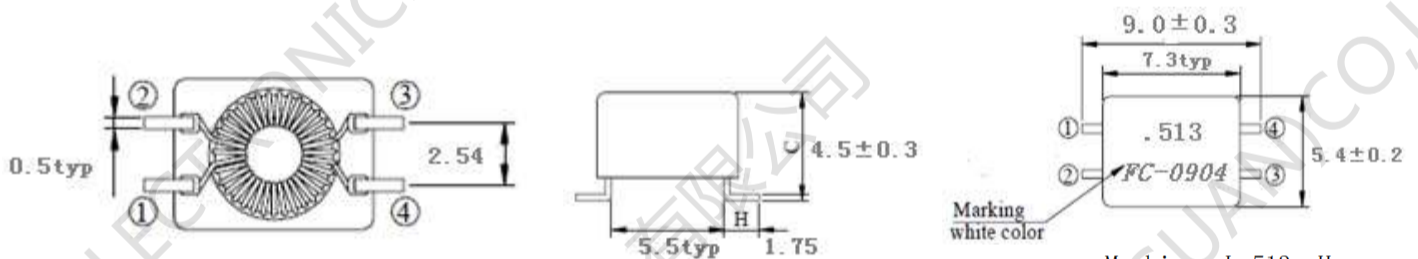
Low Primary DCR version

Ambient temperature  $-40^{\circ}\text{C}$  to  $+85^{\circ}\text{C}$

Storage temperature Component:  $-40^{\circ}\text{C}$  to  $+125^{\circ}\text{C}$



#### 1. Dimensions:mm



Marking: L=513=nH

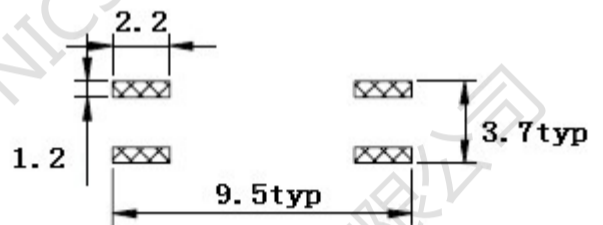
L=510=uH

L 值等同，美规和国标单

#### 2.Schematic:

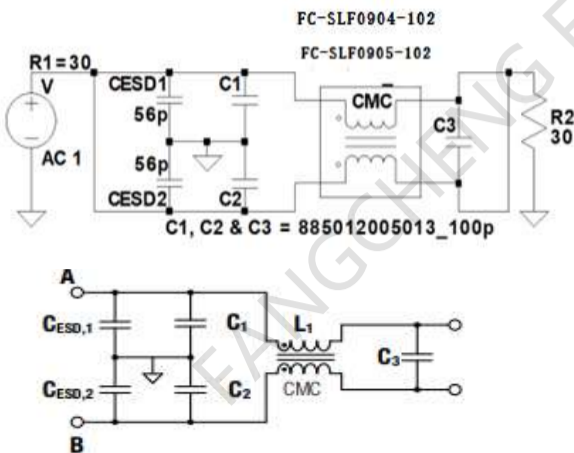


#### 3.LAYOUT RECOMMENDATION:(mm)



(PCB Pattern)

#### 4.Application Fig:





# 方成电子 ( 东莞 ) 有限公司

## FC-SLF0904 -Series SMD Common Mode Line Filter

### 5. ELECTRIC CHARACTERICS

Part Number	Turns Ration	Inductance (uH)	LK(uH) Typ.(2-3 short)	RDC (Ω)	Current Rating <sub>2</sub> (mA)
				1-4 2-3	
FC-SLF0904-110NL	1:1	11.0±25%	0.05	0.12	800
FC-SLF0904-250NL	1:1	25.0±25%	1.50	0.20	800
FC-SLF0904-513NL	1:1	51.0±25%	2.00	0.14	800
FC-SLF0904-513D-NL	1:1	51.0±25%	0.07	0.14	800
FC-SLF0904-101NL	1:1	100.0±25%	0.85	0.10	700
FC-SLF0904-471NL	1:1	470.0±25%	0.28	0.28	500
FC-SLF0904-102NL	1:1	1000.0±25%	0.29	0.40	500
FC-SLF0904-472NL	1:1	4700.0±25%	0.30	0.70	400

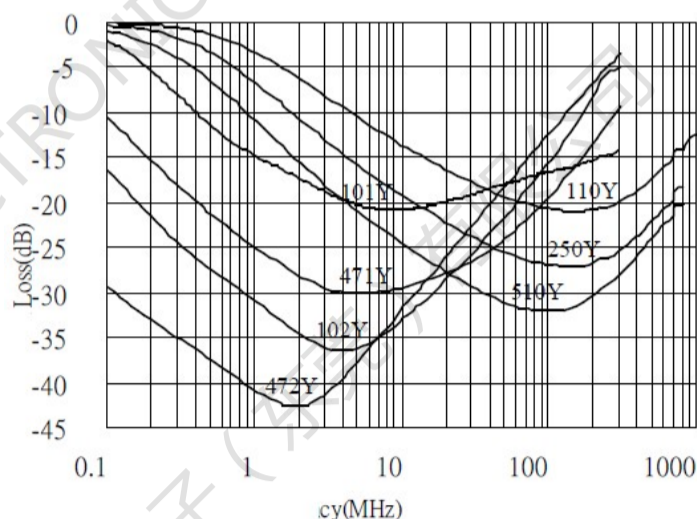
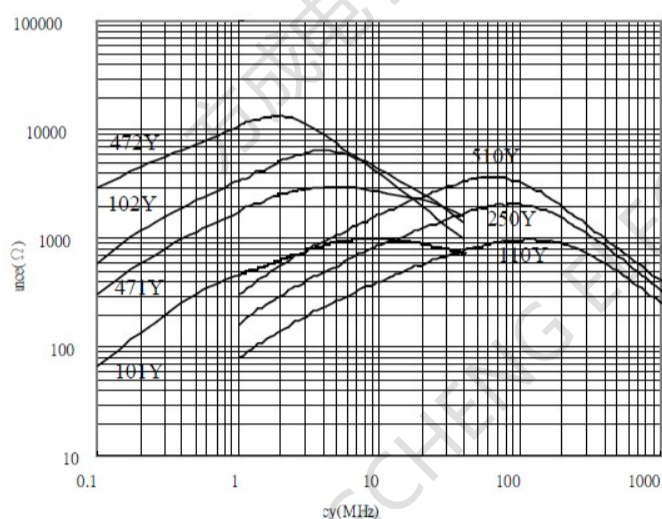
Electrical Specifications @ 25°C — Operating Temperature -40°C to +125°C.

Test equipment : Inductance 100KHZ/0.1V

Rated voltage 80 Vdc / 42 Vac

Hi-Pot ( N-N ) : 250 Vac / 60 Hz , 3 mA / 1sec

### 6.CHARACTERISTICS CURVE :



Impedance. vs Frequency Insertion loss VS. Frequency

单击下面可查看定价，库存，交付和生命周期等信息

[>>FC\(方成\)](#)