

## FC-SCTEE8.5-1-100T-25A.Current Sense Transformers

Height: 9.0mm Max

Current Rating: up to 15A

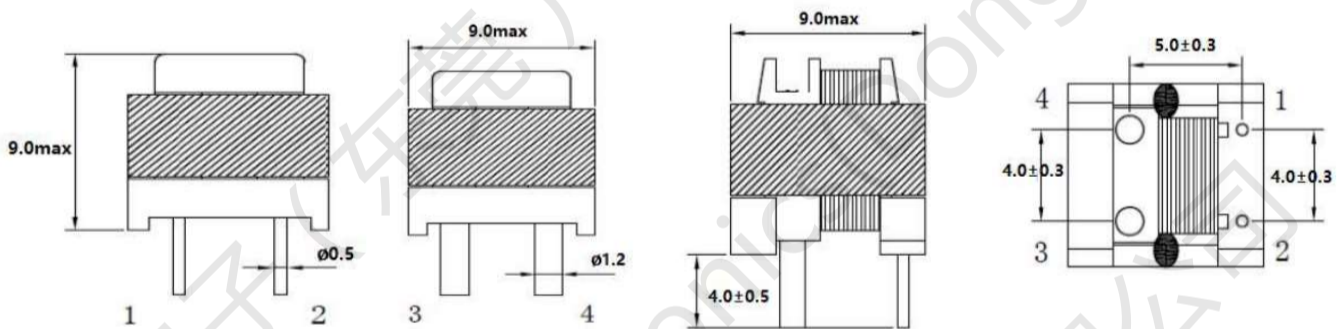
Low Primary DCR version

Ambient temperature  $-40^{\circ}\text{C}$  to  $+85^{\circ}\text{C}$

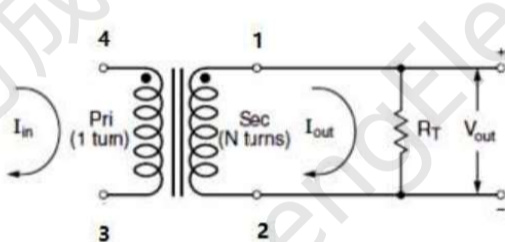
Storage temperature Component:  $-40^{\circ}\text{C}$  to  $+125^{\circ}\text{C}$



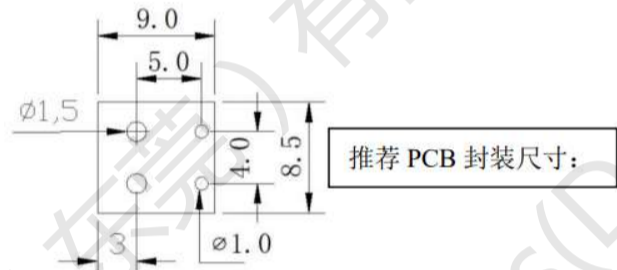
### 1. Dimensions:mm



### 2.Schematic:



### 3.LAYOUT RECOMMENDATION



### 4.Electrical Characteristics :

NO.	名称	测量端	测量值	测试条件	测试仪器
1	Inductance	L <sub>1-2</sub>	$\geq 5.0\text{mH}$	10kHz 0.3V 25°C	WK3260
2	DCR1	R <sub>1-2</sub>	2.5 $\Omega$ MAX	25°C	CH502BC
3	DCR2	R <sub>4-3</sub>	2.5m $\Omega$ MAX	25°C	CH502BC
4	Current	I=4-3	DC-25A	1kHz 0.3V 25°C	WK3250+3260B
5	Turns Ratio	N <sub>1</sub> : N <sub>2</sub>	100 : 1	20kHz 1V	WK3260
6	HI-POT	N <sub>1</sub> ---N <sub>2</sub>	DC1500V	1mA/3sec.	CH19503

单击下面可查看定价，库存，交付和生命周期等信息

[>>FC\(方成\)](#)