

FC-ULCT1013-Series-35A.Current Sense Transformers

Height: 21.0mm Max

Current Rating: up to 35A

Low Primary DCR version

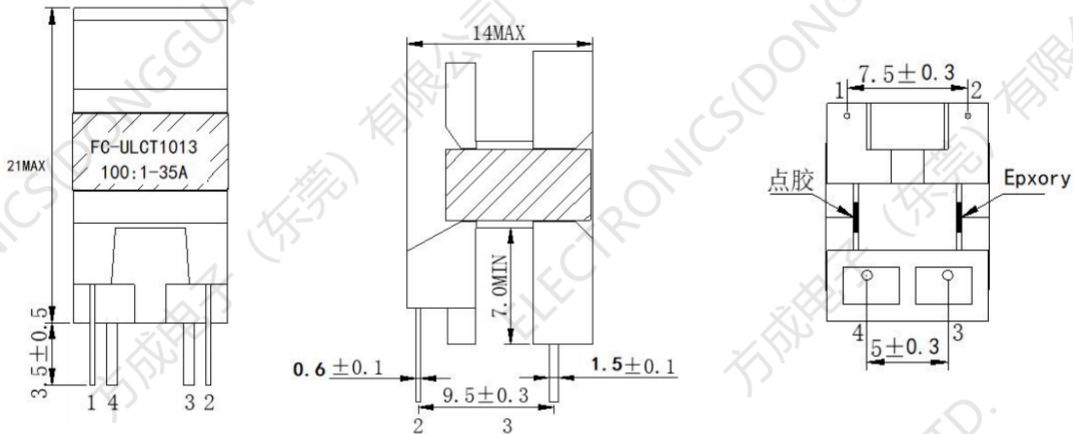
Isolation: AC3750Vrms UL

Operating temperature: -40°C to +125°C

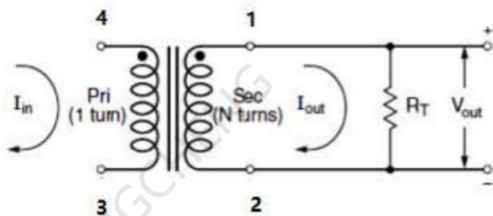
Storage temperature Component: -40°C to +85°C



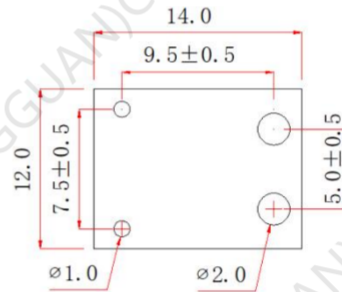
1. Dimensions:mm



2.Schematic:



3.PCB,LAYOUT RECOMMENDATION



4.Electrical Characteristics :

Part Number	Turns Ration	Current Rating NP4-3,(A)	Secondary Inductance (PIN1-2-mH min)	DCR (mΩ MAX)		Hipot (ACVRMS)
				Primary (4-3)	Secondary (1-2)	Np-Ns
FC-ULCT1013-1:100-35A	1:100	35	5.0	0.8	2000	3750V
FC-ULCT1013-1:150-35A	1:150	35	10.0	0.8	6000	3750V
FC-ULCT1013-1:200-35A	1:200	35	20.0	0.8	6000	3750V

This specification applies to the DIP type UL current transformer **Current Sense Transformers**

单击下面可查看定价，库存，交付和生命周期等信息

[>>FC\(方成\)](#)