

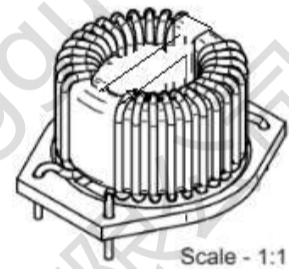
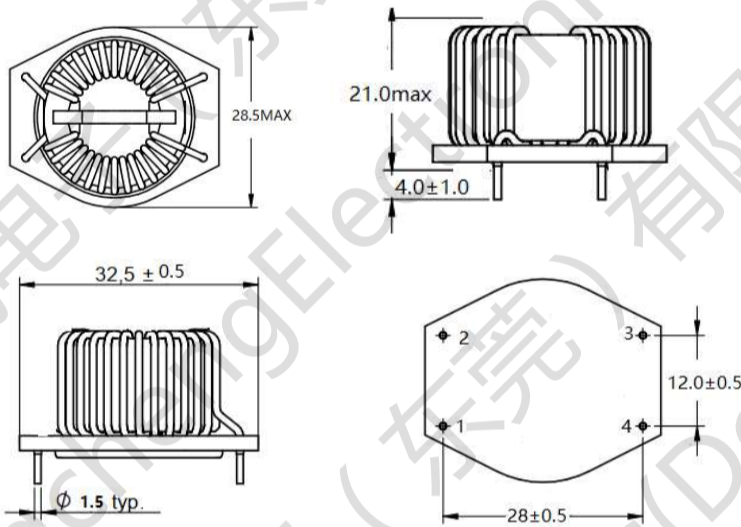
FC-DLFH2520H-102Y-LF Common Mode Power Line Choke

- 1.Suitable for common noise reduction of AC Line.  
适用于交流输入线路 EMI
- 2.Common mode noise filter for broadband transmission or communication equipment  
2. 宽频传输或通信设备的共模噪声滤波器。



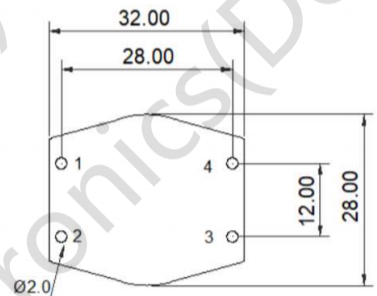
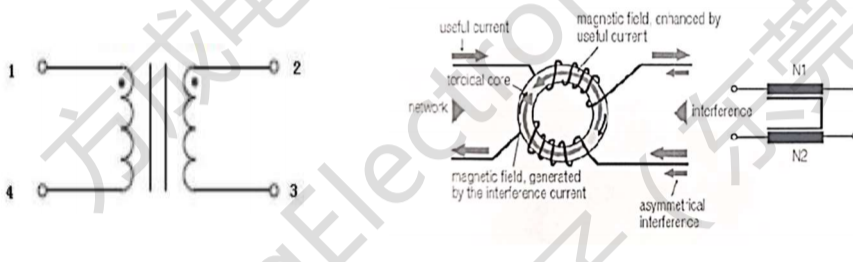
FC-DLFH2520H-102Y-HF

1. Dimensions:mm



3.LAYOUT RECOMMENDATION

2. Schematic:



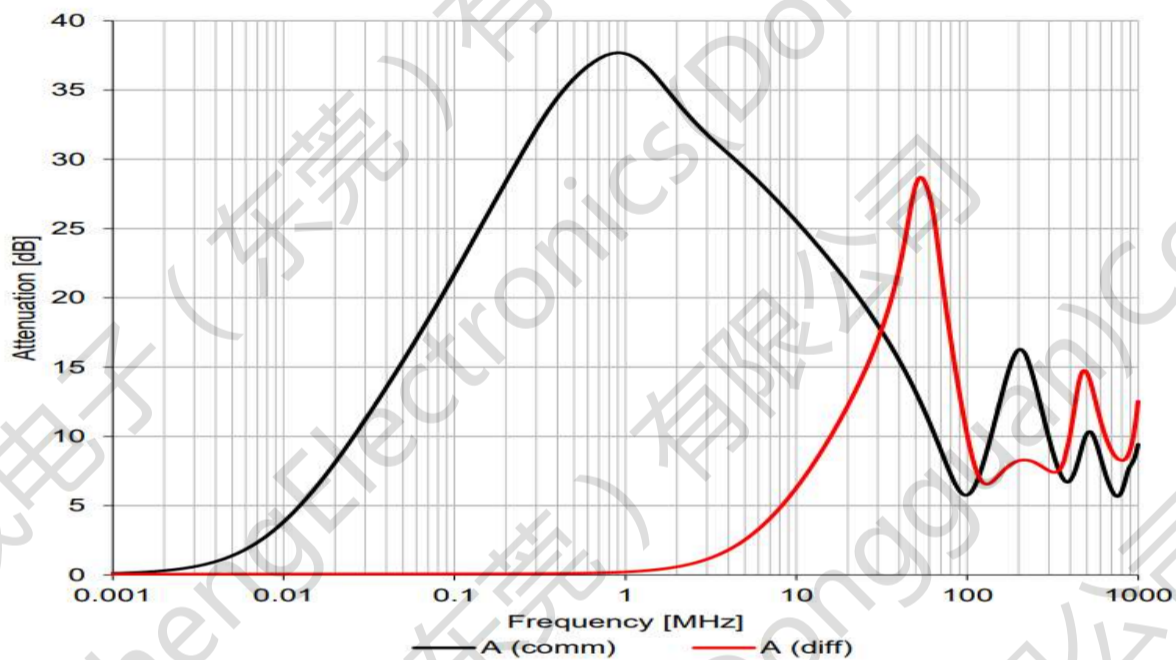
4. ELECTRIC CHARACTERICS

Part Number	Inductance L:mH(-30%+50%) 10KHZ/0.3V	RDC (mΩ) @ 25°C	Current Rating (A)	Insulation test voltage(ACV)
FC-DLFH2520-102Y-HF	1.0	6.5/max	18A	1500V

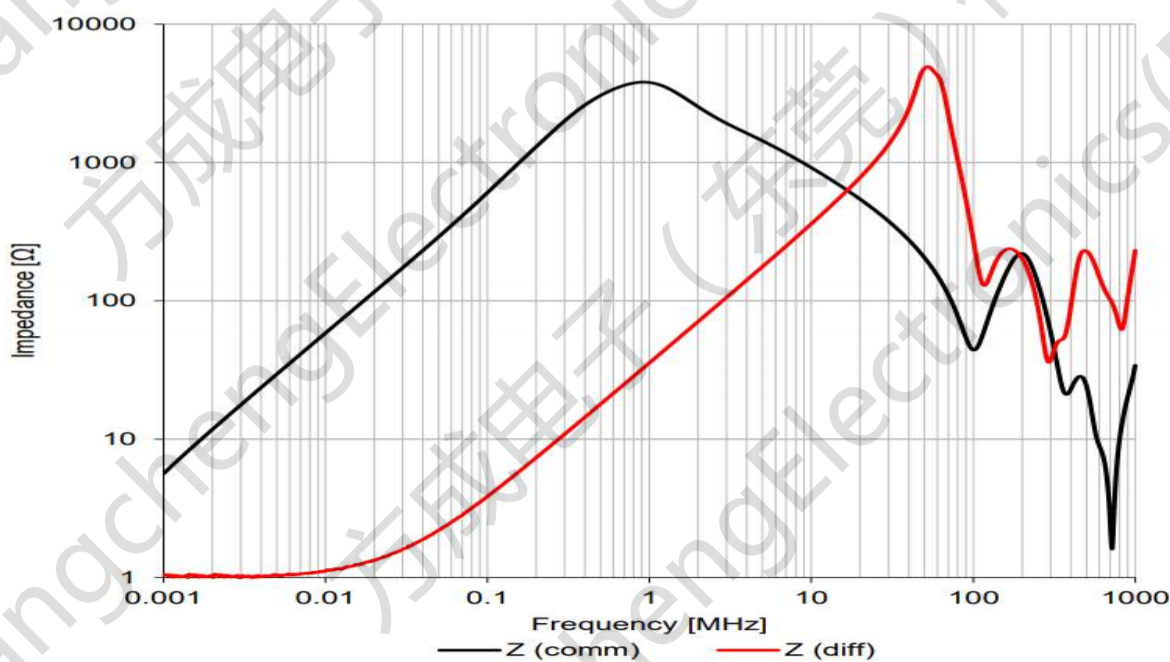
Electrical Specifications @ 25°C — Operating Temperature -40°C to +125°C .

FC-DLFH2520H-102Y-LF Common Mode Power Line Choke

5. Typical Attenuation:



6. Typical Impedance Characteristics:



单击下面可查看定价，库存，交付和生命周期等信息

[>>FC\(方成\)](#)