

### Features

- On-Resistance: 0.8Ω (TYP)
- -3dB Bandwidth: 80MHz
- Single-Supply Operation: +1.8V ~ +5.5V
- Break-Before-Make Switching
- Rail-to-Rail Operation
- Low Static Power
- TTL/CMOS Compatible
- Operating Temperature: -40°C ~ +125°C
- Small Package:  
GS4157B Available in SOT23-6 and SC70-6 Packages

### General Description

The GS4157B is low on-resistance (0.8Ω), fast single-pole double-throw (SPDT) CMOS switch with operation range +1.8V ~ +5.5V. The GS4157B is designed for low operating voltage, high current switching of signal gating, chopping, modulation or demodulation (modem), and speaker output for cell phone applications.

The device contains a break-before-make (BBM) feature. The control input, IN, tolerates input drive signals up to 5.5V, independent of supply voltage.

All devices are specified for the temperature range of -40°C to +125°C. The GS4157B single is available in Green SC70-6 and SOT23-6 packages.

### Applications

- Battery-Operated Equipment
- Wearable Devices
- Computer Peripherals
- Portable Systems
- Cell Phones
- PDAs

### Pin Configuration

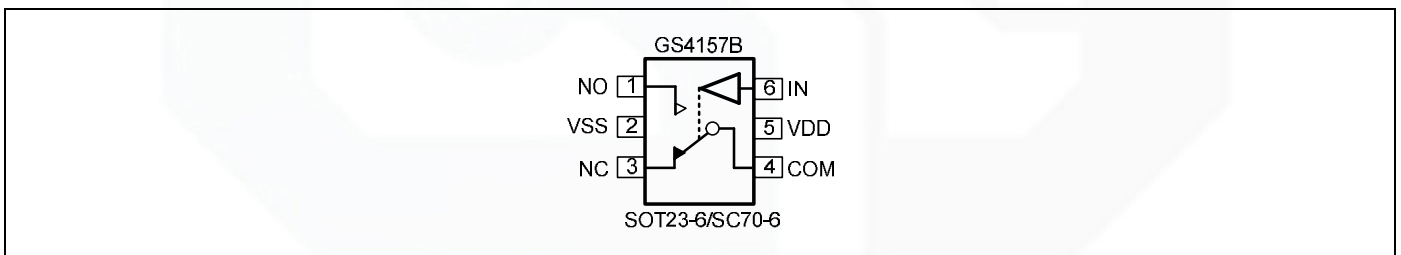


Figure 1. Pin Assignment Diagram

### Absolute Maximum Ratings

Condition	Min	Max
Power Supply Voltage ( $V_{DD}$ to $V_{SS}$ )	-0.5V	+7.5V
Analog Input Voltage (NC NO or COM)	$V_{SS}-0.5V$	$V_{DD}+0.5V$
PDB Input Voltage	$V_{SS}-0.5V$	+7V
Operating Temperature Range	-40°C	+125°C
Junction Temperature	+160°C	
Storage Temperature Range	-55°C	+150°C
Lead Temperature (soldering, 10sec)	+260°C	
<b>Package Thermal Resistance (<math>T_A=+25^\circ\text{C}</math>)</b>		
SOT23-6, $\theta_{JA}$	190°C/W	
SC70-6, $\theta_{JA}$	333°C/W	
<b>ESD Susceptibility</b>		
HBM	3500V	
MM	300V	

Note: Stress greater than those listed under Absolute Maximum Ratings may cause permanent damage to the device. This is a stress rating only and functional operation of the device at these or any other conditions outside those indicated in the operational sections of this specification are not implied. Exposure to absolute maximum rating conditions for extended periods may affect reliability.

### Package/Ordering Information

MODEL	CHANNEL	ORDER NUMBER	PACKAGE DESCRIPTION	PACKAGE OPTION	MARKING INFORMATION
GS4157B	Single	GS4157B-CR	SC70-6	Tape and Reel,3000	4157B
		GS4157B-TR	SOT23-6	Tape and Reel,3000	4157B

## Electrical Characteristics

(At  $V_S = +5V$ , and  $T_A = +25^\circ C$ , unless otherwise noted.)

PARAMETER	SYMBOL	CONDITIONS				
			TYP	MIN	MAX	UNITS
<b>ANALOG SWITCH</b>						
Analog Signal Range	$V_{NO}, V_{NC}, V_{COM}$			0	$V_S$	V
On-Resistance	$R_{ON}$	$V_S = 4.5V, V_{NO}$ or $V_{NC} = 3.5V,$ $I_{COM} = -10mA$ , Test Circuit 1	0.8			$\Omega$
		$V_S = 2.7V, V_{NO}$ or $V_{NC} = 1.5V,$ $I_{COM} = -10mA$ , Test Circuit 1	1.9			$\Omega$
On-Resistance Match Between Channels	$\Delta R_{ON}$	$V_S = 4.5V, V_{NO}$ or $V_{NC} = 3.5V,$ $I_{COM} = -10mA$ , Test Circuit 1	0.43		0.47	$\Omega$
		$V_S = 2.7V, V_{NO}$ or $V_{NC} = 1.5V,$ $I_{COM} = -10mA$ , Test Circuit 1	0.45		0.5	$\Omega$
On-Resistance Flatness	$R_{FLAT(ON)}$	$V_S = 4.5V, V_{NO}$ or $V_{NC} = 1.0V, 2.0V, 3.5V,$ $I_{COM} = -10mA$ , Test Circuit 1	0.2		0.3	$\Omega$
		$V_S = 2.7V, V_{NO}$ or $V_{NC} = 1.0V, 1.5V, 2.0V,$ $I_{COM} = -10mA$ , Test Circuit 1	0.2		0.35	$\Omega$
Source OFF Leakage Current	$I_{NC(OFF)}, I_{NO(OFF)}$	$V_S = 5.5V, V_{NO}$ or $V_{NC} = 1.0V, 4.5V,$ $V_{COM} = 4.5V, 1.0V$			1	$\mu A$
Channel ON Leakage Current	$I_{NC(ON)}, I_{NO(ON)}, I_{COM(ON)}$	$V_S = 5.5V, V_{COM} = 1.0V, 4.5V$ $V_{NO}$ or $V_{NC} = 1.0V, 4.5V$ , or floating			1	$\mu A$
<b>DIGITAL INPUTS</b>						
Input High Voltage	$V_{INH}$	$V_S = 5V$		1.5		V
		$V_S = 3V$		0.9		V
Input Low Voltage	$V_{INL}$	$V_S = 5V$			0.55	V
		$V_S = 3V$			0.45	V
Input Leakage Current	$I_{IN}$	$V_S = 5.5V, V_{IN} = 0V$ or $5.5V$			1	$\mu A$

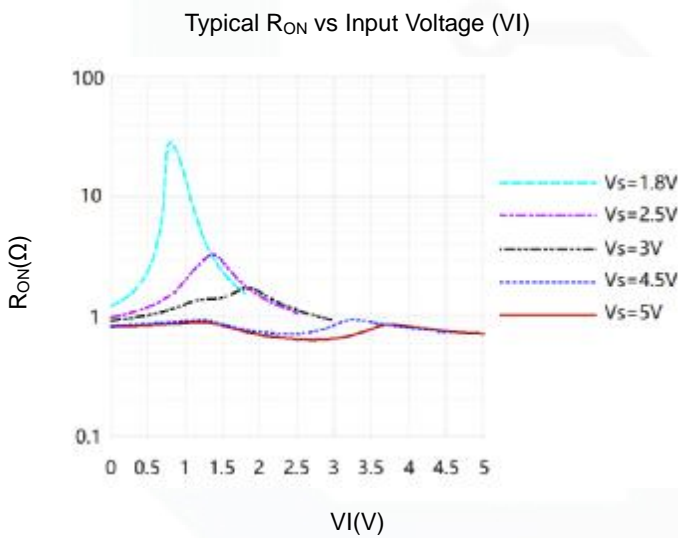
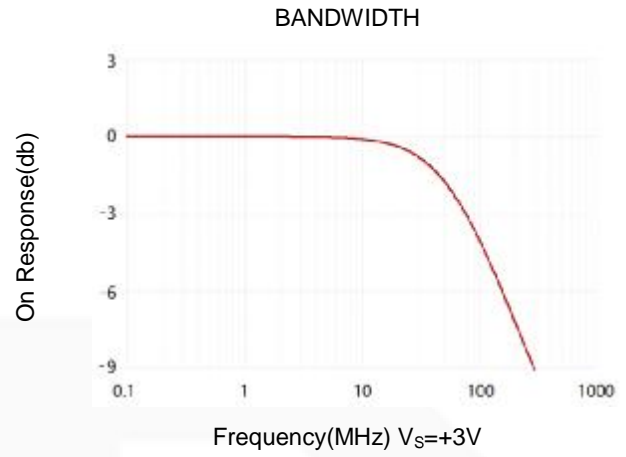
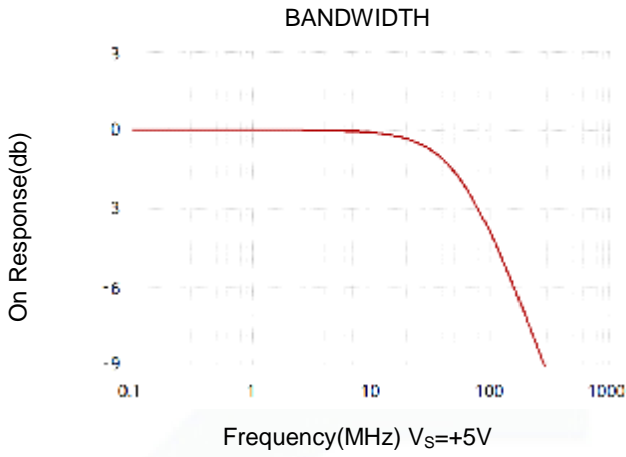
## Electrical Characteristics

(At  $V_S = +5V$ , and  $T_A = +25^\circ C$ , unless otherwise noted.)

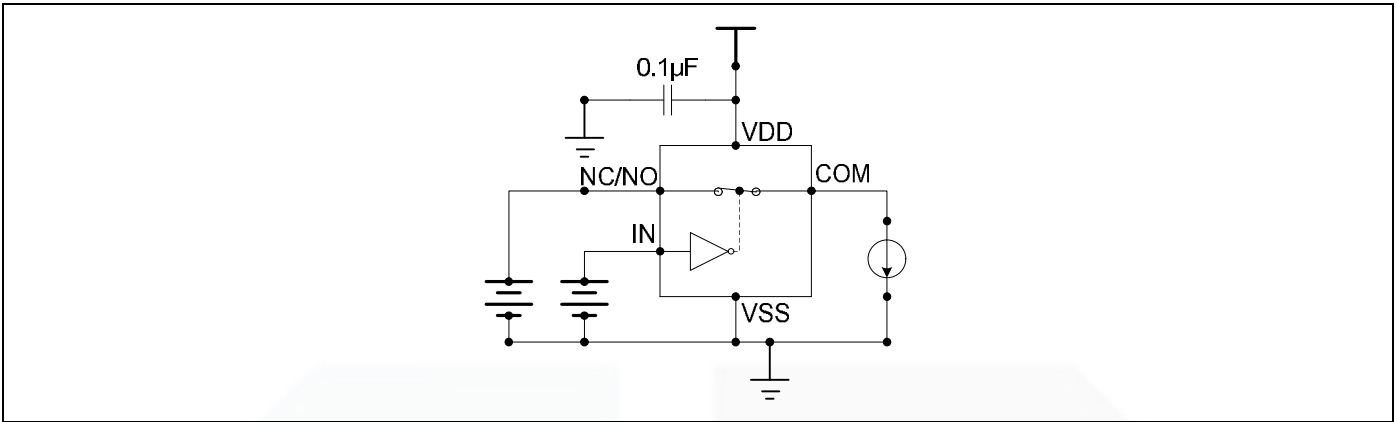
PARAMETER	SYMBOL	CONDITIONS				
			TYP	MIN	MAX	UNITS
<b>DYNAMIC CHARACTERISTICS</b>						
Turn-On Time	$T_{ON}$	$V_S = 5V, V_{NO} \text{ or } V_{NC} = 3V, V_{IN,H} = 1.5V, V_{IN,L} = 0V,$ $R_L = 300\Omega, C_L = 35pF, \text{ Test Circuit 2}$	20			ns
		$V_S = 3V, V_{NO} \text{ or } V_{NC} = 1.5V, V_{IN,H} = 1.5V, V_{IN,L} = 0V,$ $R_L = 300\Omega, C_L = 35pF, \text{ Test Circuit 2}$	28			ns
Turn-Off Time	$T_{OFF}$	$V_S = 5V, V_{NO} \text{ or } V_{NC} = 3V, V_{IN,H} = 1.5V, V_{IN,L} = 0V,$ $R_L = 300\Omega, C_L = 35pF, \text{ Test Circuit 2}$	23			ns
		$V_S = 3V, V_{NO} \text{ or } V_{NC} = 1.5V, V_{IN,H} = 1.5V, V_{IN,L} = 0V,$ $R_L = 300\Omega, C_L = 35pF, \text{ Test Circuit 2}$	22			ns
Break-Before-Make Time Delay	$T_{BBM}$	$V_S = 5V, V_{NO1} \text{ or } V_{NC1} = V_{NO2} \text{ or } V_{NC2} = 3V,$ $R_L = 300\Omega, C_L = 35pF, \text{ Test Circuit 3}$	23			ns
		$V_S = 3V, V_{NO1} \text{ or } V_{NC1} = V_{NO2} \text{ or } V_{NC2} = 3V,$ $R_L = 300\Omega, C_L = 35pF, \text{ Test Circuit 3}$	27			ns
Skew	$T_{SKEW}$	$V_S = 5V, R_S = 39\Omega, C_L = 50pF, \text{ Test Circuit 4}$	9			ns
		$V_S = 3V, R_S = 39\Omega, C_L = 50pF, \text{ Test Circuit 4}$	9			ns
Off Isolation	$O_{ISO}$	$R_L = 50\Omega, \text{ Signal} = 0dBm,$ $C_L = 5pF, \text{ Test Circuit 5}$				
			f=10MHz	-40		db
			f=1MHz	-60		db
-3dB Bandwidth	BW	$R_L = 50\Omega, \text{ Signal} = 0dBm, C_L = 5pF, \text{ Test Circuit 6}$	80			MHz
Source OFF Capacitance	$C_{NC(OFF)}, C_{NO(OFF)}$	f=1MHz	20			pF
Channel ON Capacitance	$C_{NC(ON)}, C_{NO(ON)}, C_{COM(ON)}$	f=1MHz	73			pF
<b>POWER REQUIREMENTS</b>						
Power Supply Range	$V_S$			1.8	5.5	V
Power Supply Current	$I_S$	$V_{IN} = 0V \text{ or } V_S$			1	$\mu A$

### Typical Performance characteristics

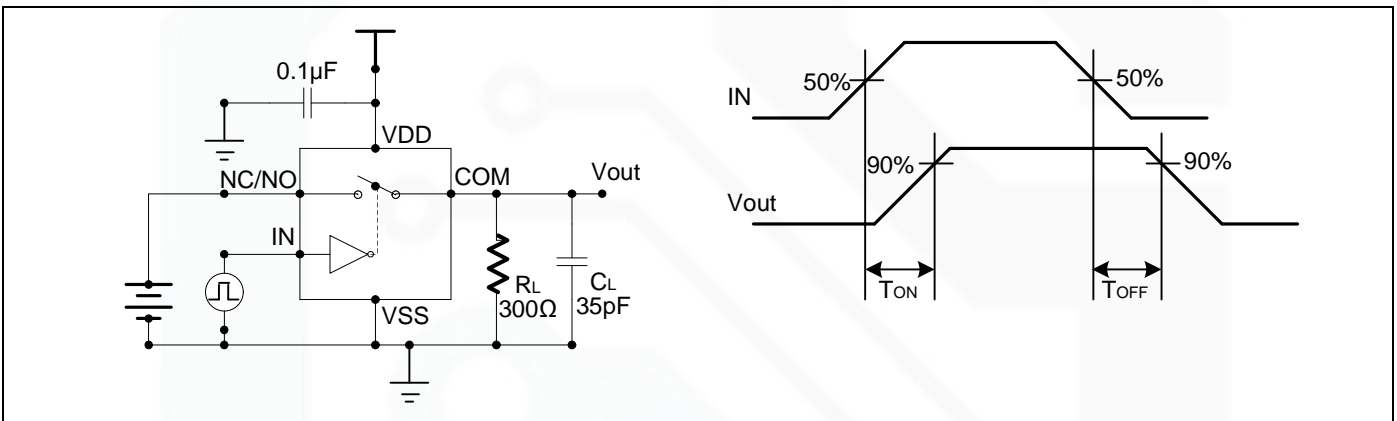
At  $T_A=+25^{\circ}\text{C}$ , and  $V_S=+5\text{V}$ , unless otherwise noted.



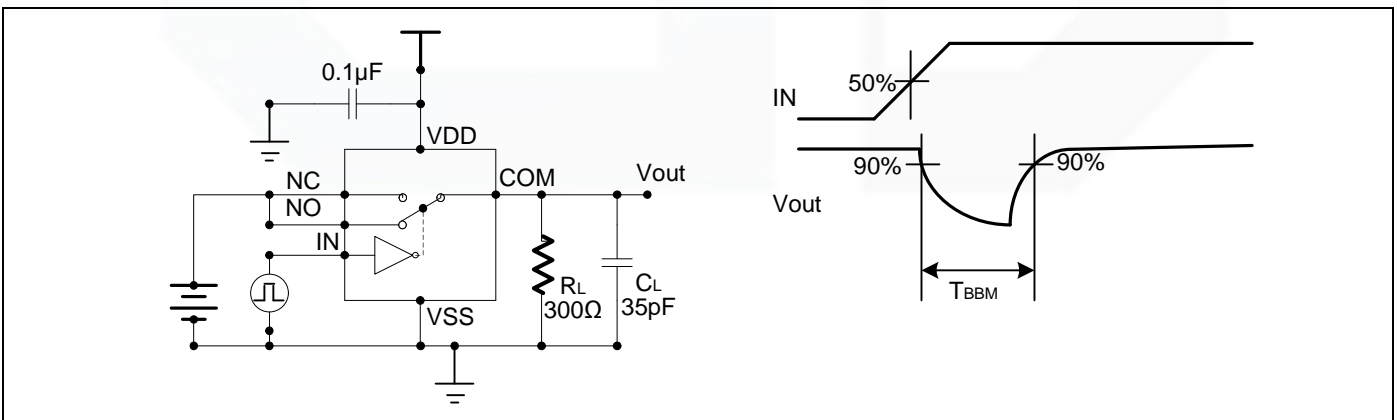
Parameter Measurement Information



Test Circuit 1. On-Resistance

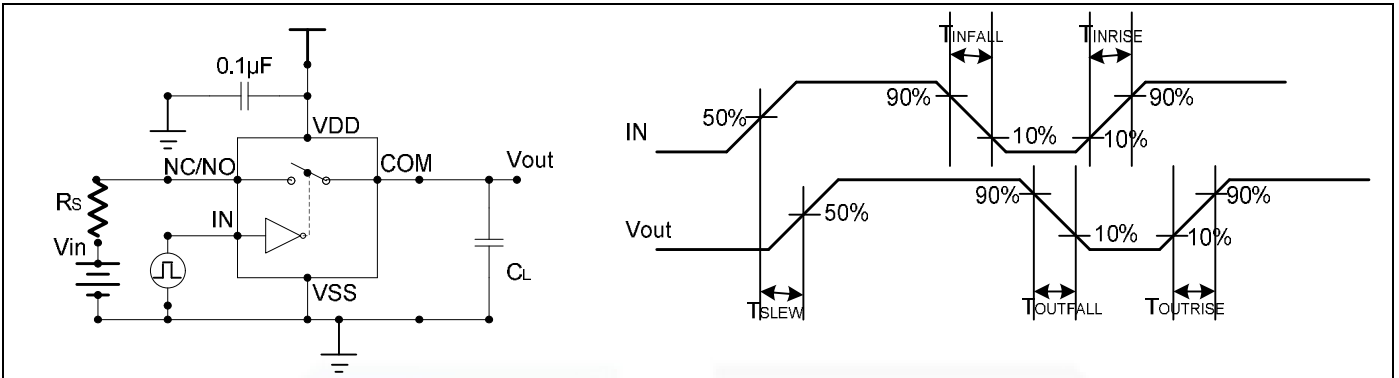


Test Circuit 2. Switching Times

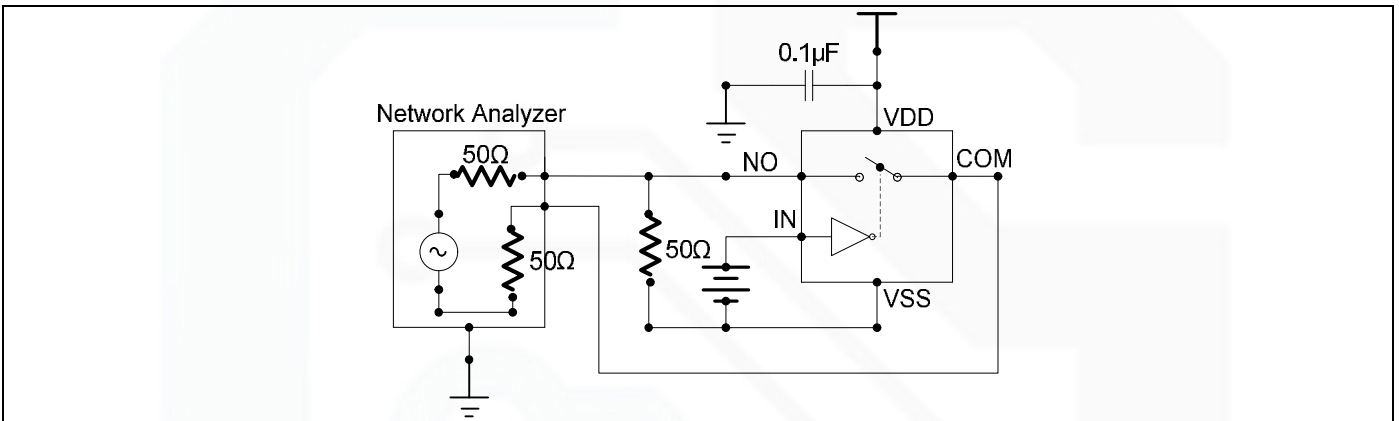


Test Circuit 3. Break-Before-Make Time Delay

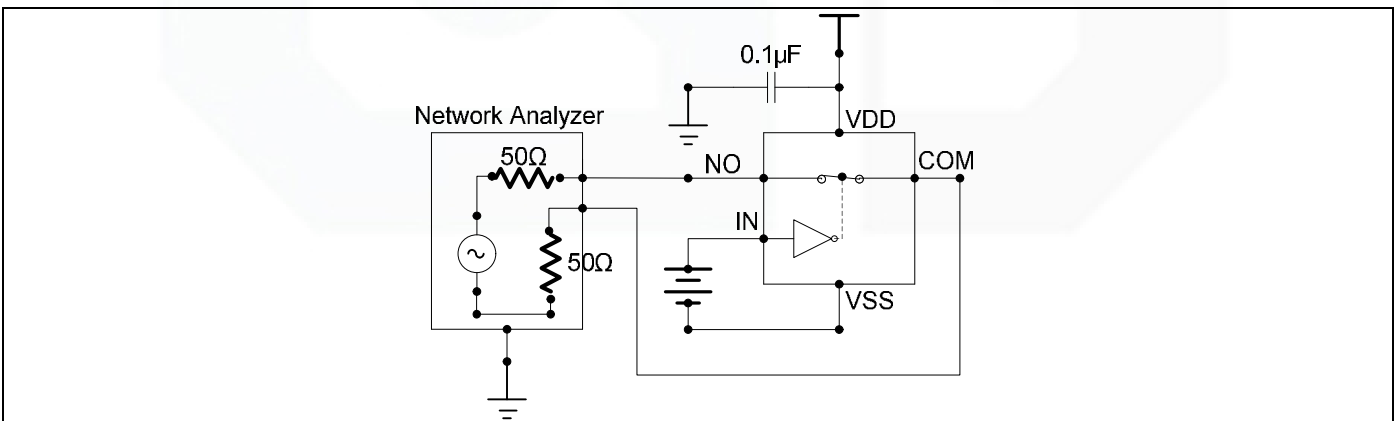
**Parameter Measurement Information**



Test Circuit 4. Output Signal Skew



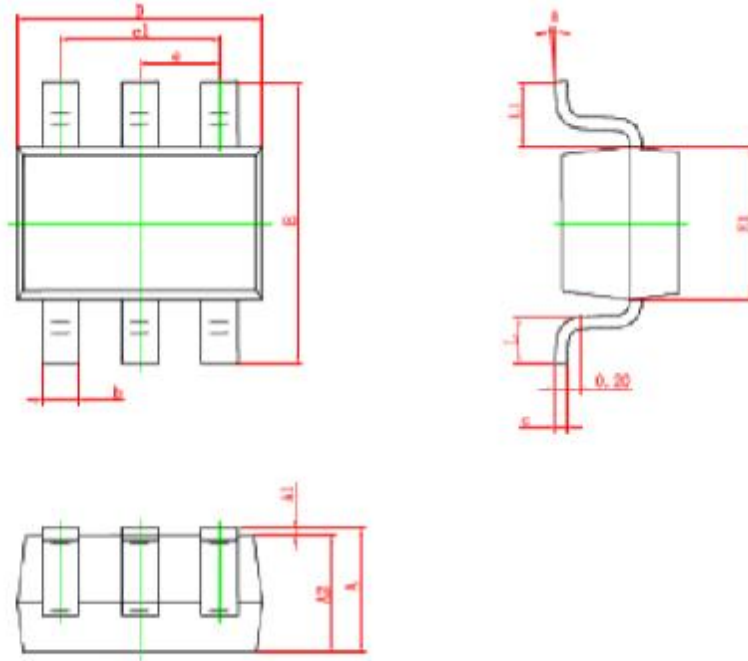
Test Circuit 5. Off Isolation



Test Circuit 6. -3dB Bandwidth

Package Information

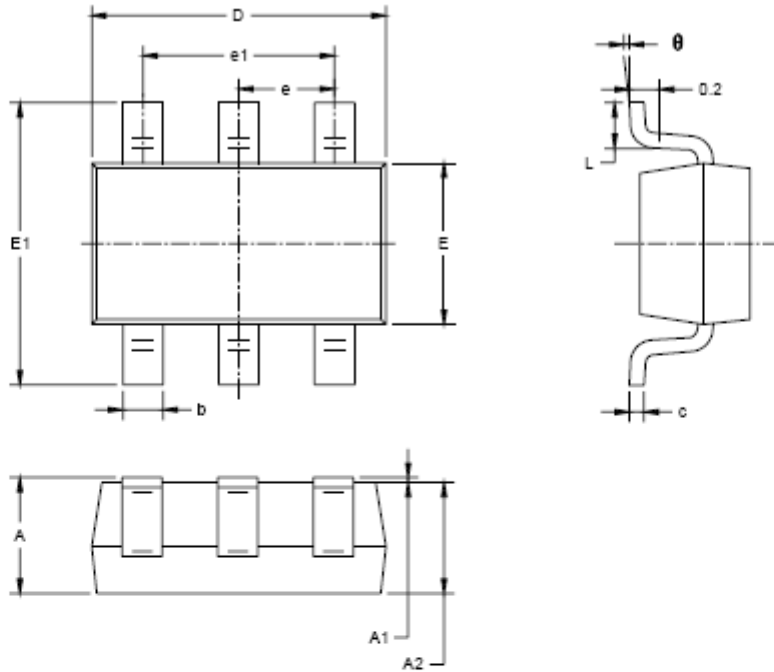
SC70-6



Symbol	Dimensions In Millimeters		Dimensions In Inches	
	Min.	Max.	Min.	Max.
A	0.900	1.100	0.035	0.043
A1	0.000	0.100	0.000	0.004
A2	0.900	1.000	0.035	0.039
b	0.150	0.350	0.008	0.014
c	0.080	0.150	0.003	0.006
D	2.000	2.200	0.079	0.087
E	2.150	2.450	0.085	0.098
E1	1.150	1.350	0.045	0.053
e	0.650 TYP.		0.026 TYP.	
e1	1.200	1.400	0.047	0.055
L	0.260	0.460	0.010	0.018
L1	0.525 REF.		0.021 REF.	
θ	0°	8°	0°	8°



SOT23-6



Symbol	Dimensions In Millimeters		Dimensions In Inches	
	MIN	MAX	MIN	MAX
A	1.050	1.250	0.041	0.049
A1	0.000	0.100	0.000	0.004
A2	1.050	1.150	0.041	0.045
b	0.300	0.500	0.012	0.020
c	0.100	0.200	0.004	0.008
D	2.820	3.020	0.111	0.119
E	1.500	1.700	0.059	0.067
E1	2.650	2.950	0.104	0.116
e	0.950 BSC		0.037 BSC	
e1	1.900 BSC		0.075 BSC	
L	0.300	0.600	0.012	0.024
θ	0°	8°	0°	8°

单击下面可查看定价，库存，交付和生命周期等信息

[>>Gainsil\(聚洵\)](#)