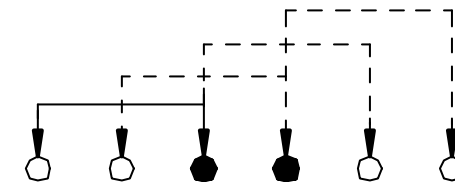
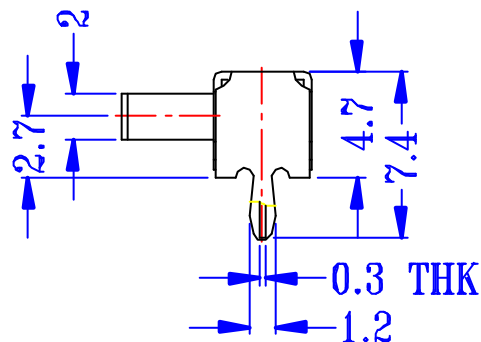
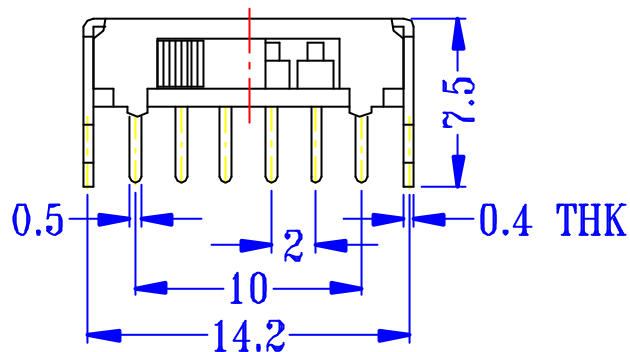
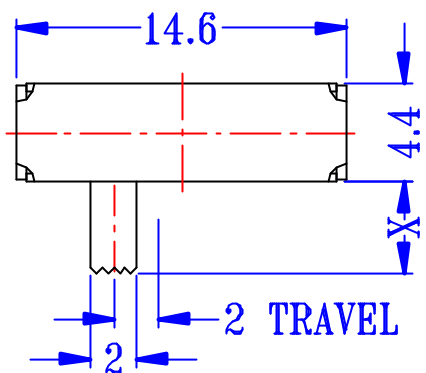
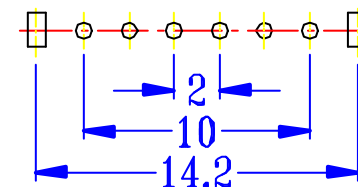


CAD FILE:



**SCHEMATIC (SHORTING)**



**P.C.B LAYOUT**

8									
7									
6	SPRING PLATE	STAINLESS STEEL	1	NATURAL	TOLERANCE UNLESS SPECIFIED WITHIN: 1.5±0.1mm OVER : 1.5±0.2mm				
5	CONTACT CLIP	PBS C5210R-EH	1	Ag CLAD		ISSUE	DATE	DESCRIPTIONS	APPD.
4	TERMINAL	BRASS STRIP	6	Ag PLATED OVER Ni PLATED	TITLE : HORIZONTAL SLIDE SWITCH MODEL: SK-14D01/402 深圳市港源实业发展有限公司	UNIT : MM	DRWG NO.: SF-DR-SK14D01-00		
3	BASE	PHENOLIC RESIN	1	NATURAL		SCALE: 3 : 1	DWN.		
2	KNOB	POM	1	BLACK			CHK'D		
1	FRAME	STEEL STRIP	1	Ni PLATED		APPD.			
NO.	PART NAME	MATERIAL.	QTY	FINISHING					

单击下面可查看定价，库存，交付和生命周期等信息

[>>Gangyuan\(港源\)](#)