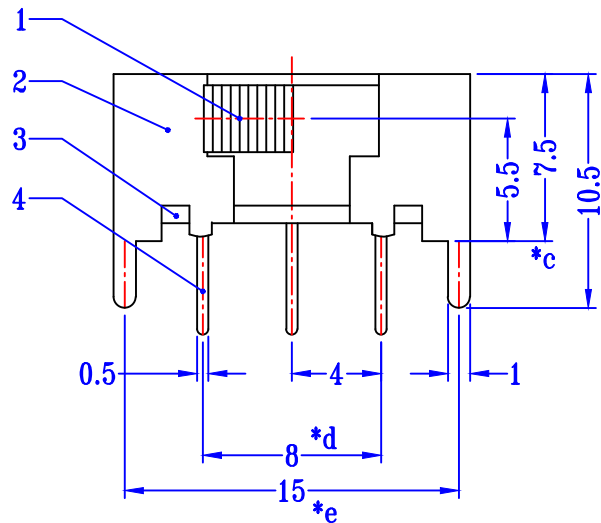
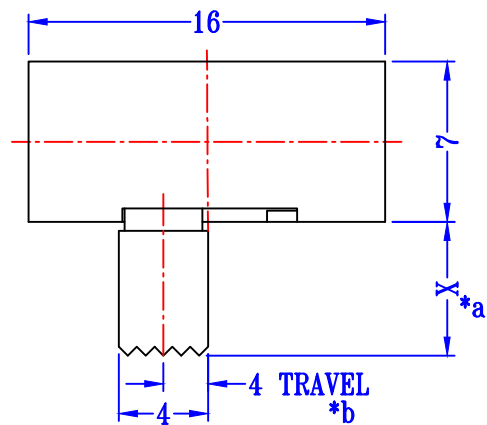
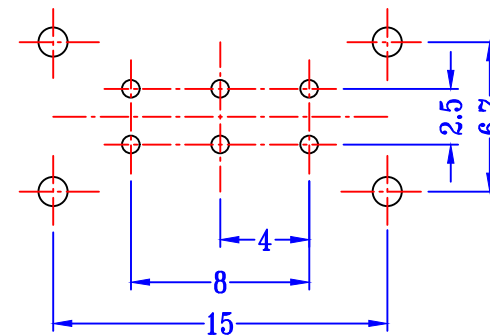
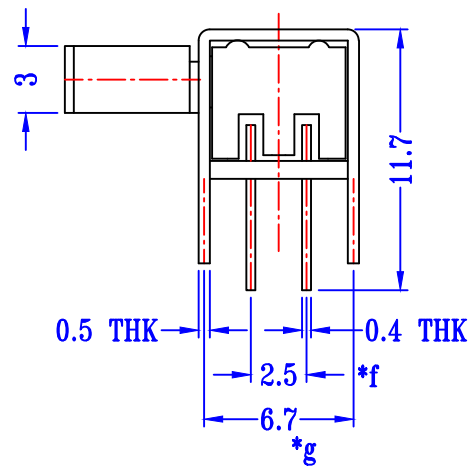




CAD FILE:

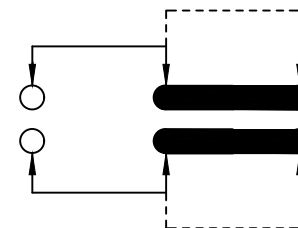


X=6mm±0.2mm



P.C.B LAYOUT  
BOTTOM VIEW

注：“\*”表示关键尺寸(7个).



SCHEMATIC (SHORTING)

NO.	PART NAME	MATERIAL	Q'TY	FINISHING	TOLERANCE UNLESS SPECIFIED					
8										
7	CONTACT CLIP	PBS STRIP	2	Ag PLATED	WITHIN 1.5mm : ±0.1mm	A	2019-12-15	初版		李燕
6	SPRING	STEEL WIRE	1	NATURAL	OVER 1.5mm : ±0.2mm	ISSUE	DATE	DESCRIPTIONS OF REVISION		APPD.
5	STEEL BALL	STEEL	1	NATURAL	TITLE : HORIZONTAL SLIDE SWITCH		UNIT : mm	DRWG NO.: DS-DR-SK22H03XX-00		
4	TERMINAL	BRASS STRIP	8	Ag PLATED	MODEL: SK22H02 G6		SCALE: 3:1	DWN.	余小珍	2019-12-15
3	BASE	PHENOLIC RESIN	1	NATURAL	深圳市港源微键技术有限公司		CHK'D	李明	2019-12-15	
2	FRAME	STEEL STRIP	1	Ni PLATED			APPD.	李燕	2019-12-15	
1	KNOB	POM	1	BLACK						

单击下面可查看定价，库存，交付和生命周期等信息

[>>Gangyuan\(港源\)](#)