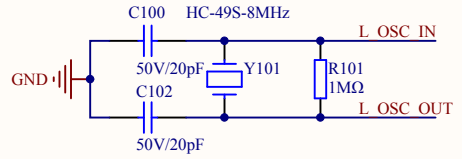
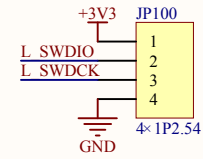
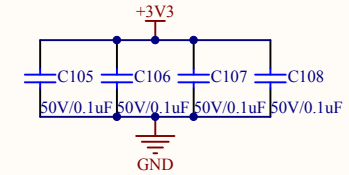
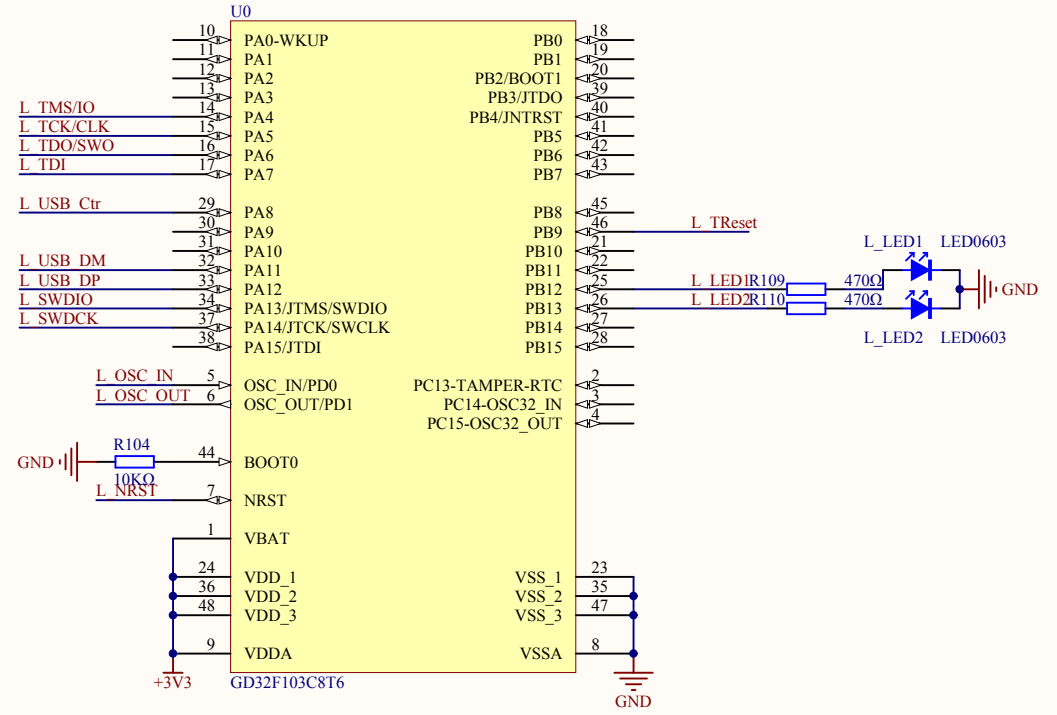
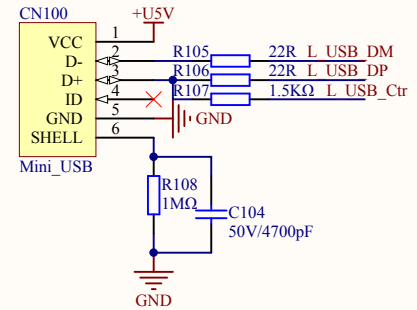
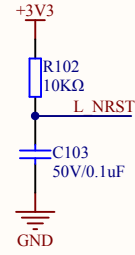


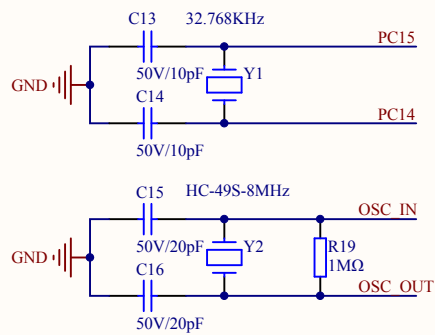
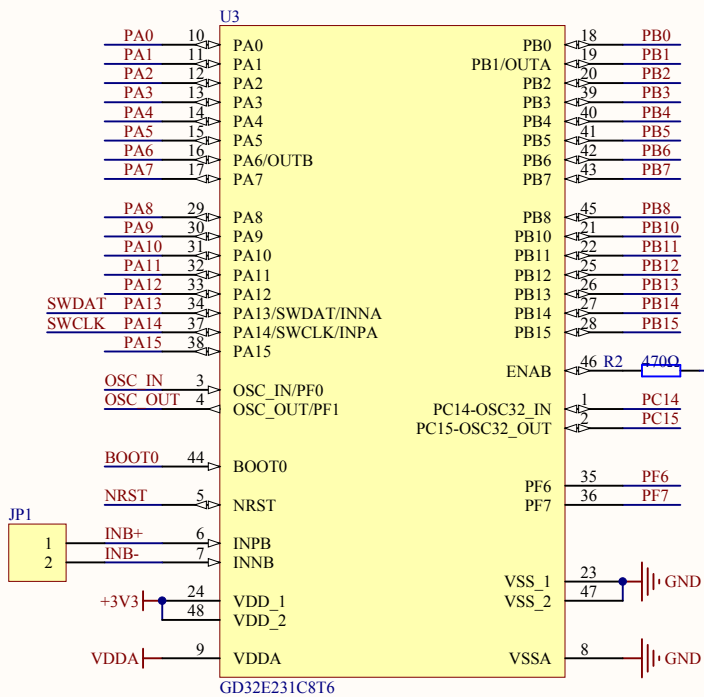
MCU SWD



Reset

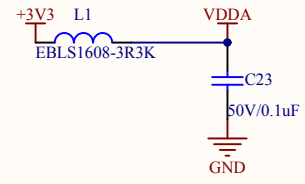
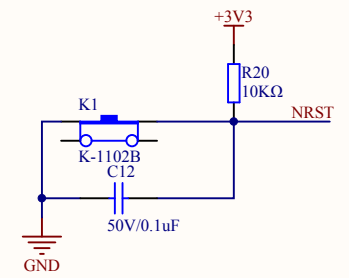
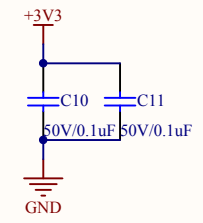


Company Name: GigaDevice		
File Name: GDLink		
Revision: 1.0	Data: 2018-9	Author: XuFei



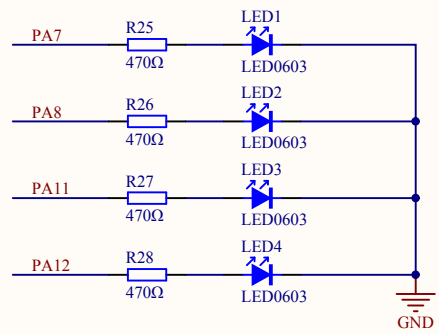
SWD GDLink

SWDAT	L TMS/IO
SWCLK	L TCK/CLK
NRST	L TRreset

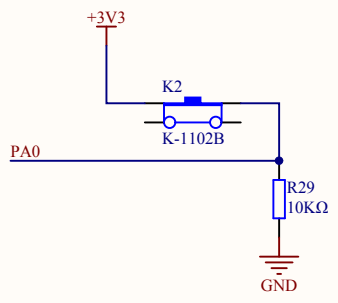


Company Name: GigaDevice		
File Name: MCU		
Revision: 1.0	Data: 2018-9	Author: Xufei

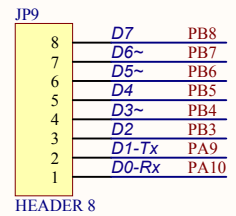
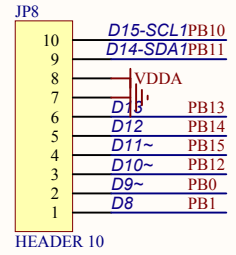
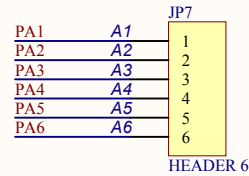
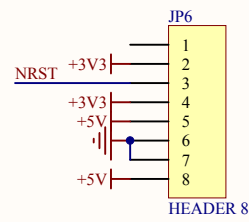
LED



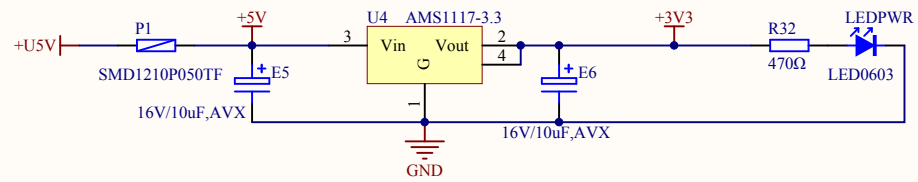
KEY



Arduino

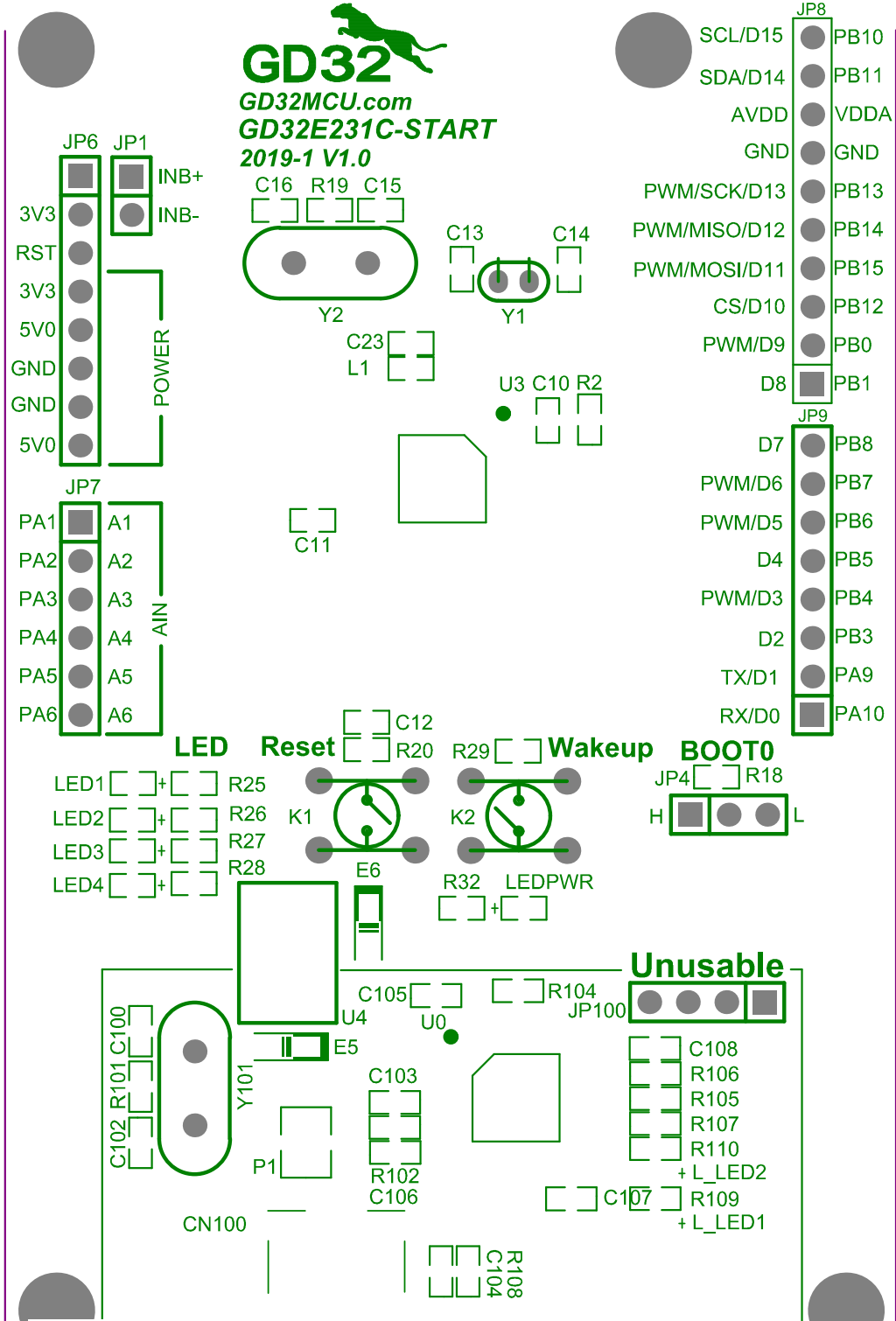


Company Name: GigaDevice		
File Name: Peripherals		
Revision: 1.0	Data: 2019-1	Author: Xufei



Company Name: GigaDevice		
File Name: Power		
Revision: 1.0	Data: 2018-9	Author: Xufei

GD32
 GD32MCU.com
GD32E231C-START
 2019-1 V1.0



单击下面可查看定价，库存，交付和生命周期等信息

[>>GigaDevice\(兆易创新\)](#)