

GigaDevice Semiconductor Inc.

GD32107C-EVAL Evaluation Board

User Manual

Table of Contents

List of Figures	2
1 Introduction	3
2 Function pin assignment	3
3 Getting started	5
4 Hardware layout overview	5
4.1 Power supply	5
4.2 Boot option	5
4.3 LED	6
4.4 Key	6
4.5 USART1/USART2	7
4.6 ADC/DAC	7
4.7 I2S	8
4.8 I2C	8
4.9 SPI-Serial Flash	9
4.10 USB	9
4.11 CAN	10
4.12 RTC	10
4.13 EXMC-LCD	11
4.14 EXMC-NAND Flash	12
4.15 Ethernet	12
4.16 Extension	13
5 Revision history	14

List of Figures

Figure 1 Schematic diagram of power supply	5
Figure 2. Schematic diagram of boot option.....	5
Figure 3. Schematic diagram of LED function.....	6
Figure 4. Schematic diagram of Key function.....	6
Figure 5. Schematic diagram of USART1/USART2 function	7
Figure 6. Schematic diagram of ADC/DAC function	7
Figure 7. Schematic diagram of I2S function.....	8
Figure 8. Schematic diagram of I2C function	8
Figure 9. Schematic diagram of SPI-Serial Flash function.....	9
Figure 10.Schematic diagram of USB function	9
Figure 11. Schematic diagram of CAN function	10
Figure 12. Schematic diagram of RTC function	10
Figure 13. Schematic diagram of EXMC-LCD function.....	11
Figure 14. Schematic diagram of EXMC-NAND Flash function	12
Figure 15. Schematic diagram of Ethernet	12
Figure 16. Schematic diagram of Extension Pin	13

1 Introduction

GD32107C-EVAL evaluation board uses GD32F107VCT6 as the main controller. As a complete development platform of GD32F107xx connectivity line powered by ARM® Cortex™-M3 core, the board supports full range of peripherals. It uses Mini USB interface or AC/DC adapter as 5V power supply. JTAG, Reset, Boot, User button key, LED, CAN, I2C, I2S, USART, RTC, EXMC, SPI, USB_OTG, ADC, DAC, Ethernet and Extension Pin are also included. This document details its hardware schematic and the relevant applications.

2 Function pin assignment

Table 1. Pin assignment

Function	Pin	Description
LED	PC0	LED2
	PC2	LED3
	PE0	LED4
	PE1	LED5
RESET		K1-Reset
KEY	PA0	KEY1
	PC13	KEY2
	PB14	KEY3
USB_OTG	PA9	USB_VBUS
	PA10	USB_ID
	PA11	USBDM
	PA12	USBDP
	PD13	VBUS control pin
CAN	PD0	CAN1_RX
	PD1	CAN1_TX
	PB5	CAN2_RX
	PB6	CAN2_TX
I2C	PB6	I2C1_SCL
	PB7	I2C_SDA
I2S	PB12	I2S_WS
	PB13	I2S_CK
	PB15	I2S_DIN
	PA4	MSEL
	PA5	MCLK
	PA7	MDIN
	PC6	I2S_MCK
USART1	PA9	USART1_TX
	PA10	USART1_RX
USART2	PA2	USART2_TX

Function	Pin	Description
	PA3	USART2_RX
EXMC	PD14	EXMC_D0
	PD15	EXMC_D1
	PD0	EXMC_D2
	PD1	EXMC_D3
	PE7	EXMC_D4
	PE8	EXMC_D5
	PE9	EXMC_D6
	PE10	EXMC_D7
	PE11	EXMC_D8
	PE12	EXMC_D9
	PE13	EXMC_D10
	PE14	EXMC_D11
	PE15	EXMC_D12
	PD8	EXMC_D13
	PD9	EXMC_D14
	PD10	EXMC_D15
	PD11	EXMC_A16
	PD12	EXMC_A17
	PE2	EXMC_A23
	PD4	EXMC_NOE
PD5	EXMC_NWE	
PD6	EXMC_NWAIT	
PD7	EXMC_NE1	
SPI	PA5	SPI1_SCK
	PA6	SPI1_MISO
	PA7	SPI1_MOSI
	PE3	SPI Flash_CS
ADC	PC3	ADC123_IN13
DAC	PA4	DAC_OUT1
	PA5	DAC_OUT2
Ethernet	PB11	RMII_TX_EN
	PB12	RMII_TXD0
	PB13	RMII_TXD1
	PC4	RMII_RXD0
	PC5	RMII_RXD1
	PA7	RMII_CRS_DV
	PC1	RMII_MDC
	PA2	RMII_MDIO
	PB0	RMII_INT
PA1	RMII_REF_CLK	

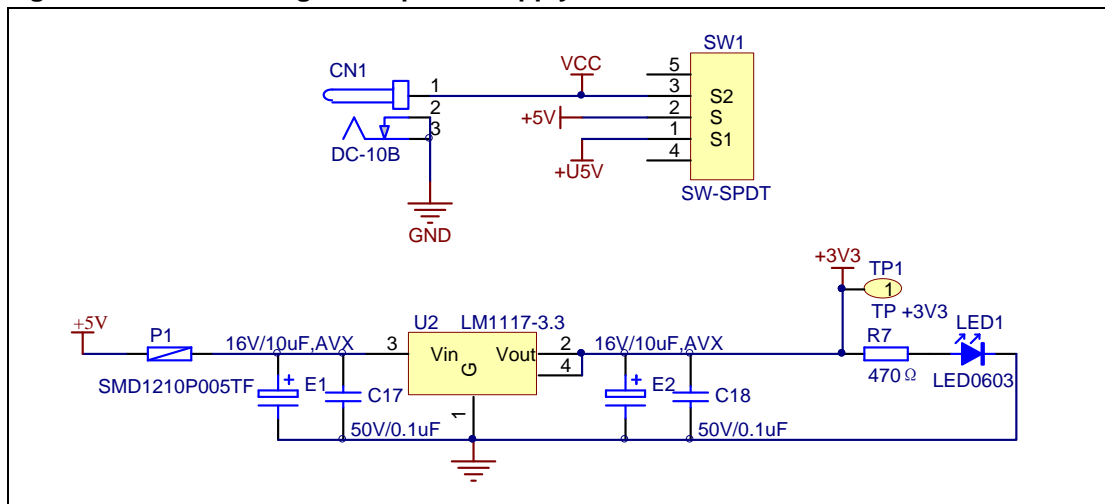
3 Getting started

The EVAL Board uses Mini USB connector to get power, the hardware system power is +3.3V. A Mini USB cable and a J-Link tool are necessary to down programs. Select the correct boot mode and then power on, the LED1 will turn on, which indicates the power supply is ready.

4 Hardware layout overview

4.1 Power supply

Figure 1 Schematic diagram of power supply



4.2 Boot option

Figure 2. Schematic diagram of boot option

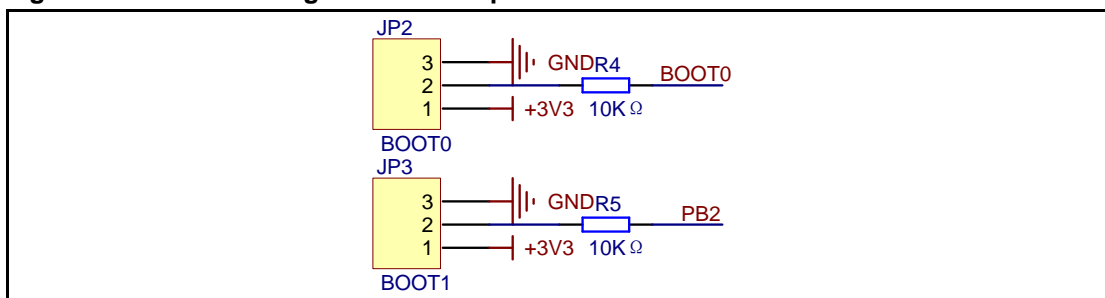
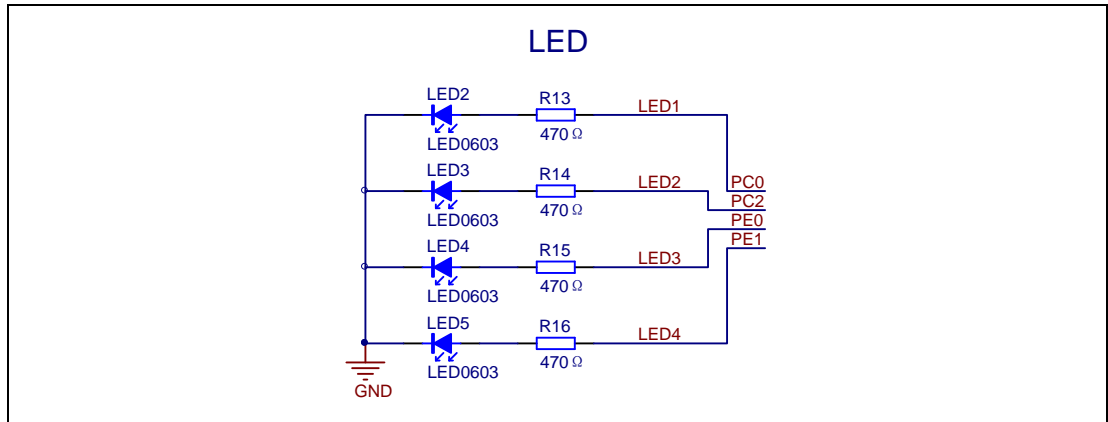


Table 2. Boot configuration

BOOT1	BOOT0	Boot Mode
Any	2-3	User memory
2-3	1-2	System memory
1-2	1-2	SRAM memory

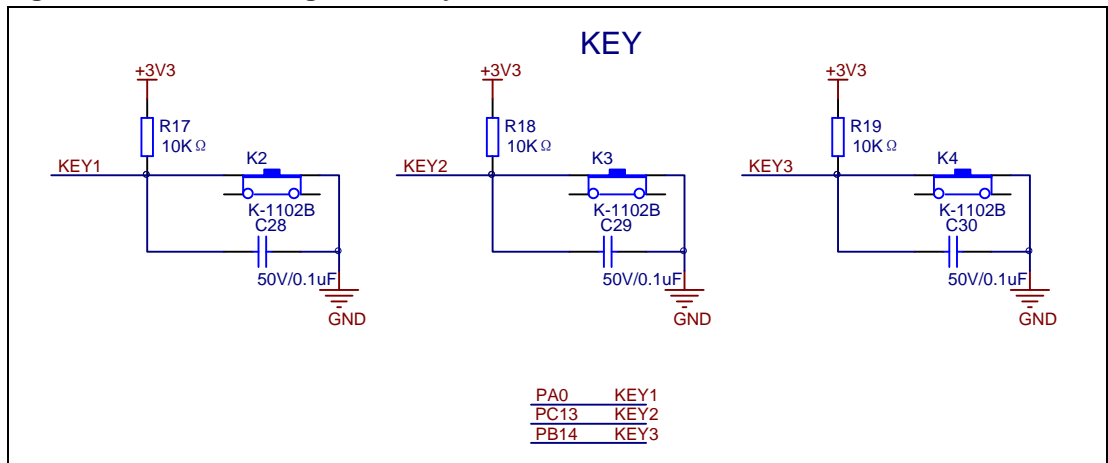
4.3 LED

Figure 3. Schematic diagram of LED function



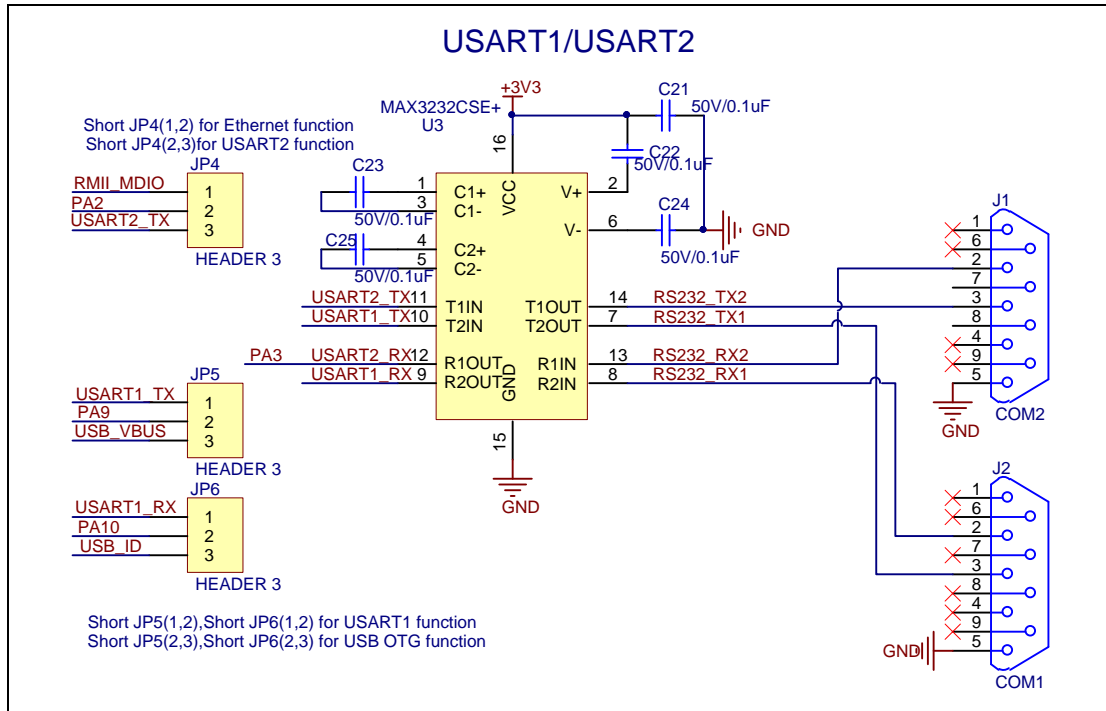
4.4 Key

Figure 4. Schematic diagram of Key function



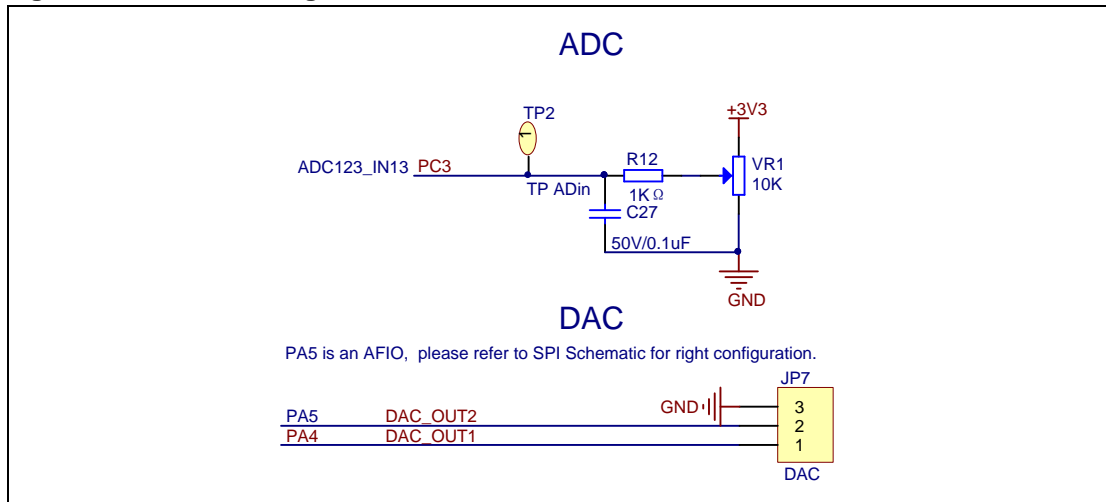
4.5 USART1/USART2

Figure 5. Schematic diagram of USART1/USART2 function



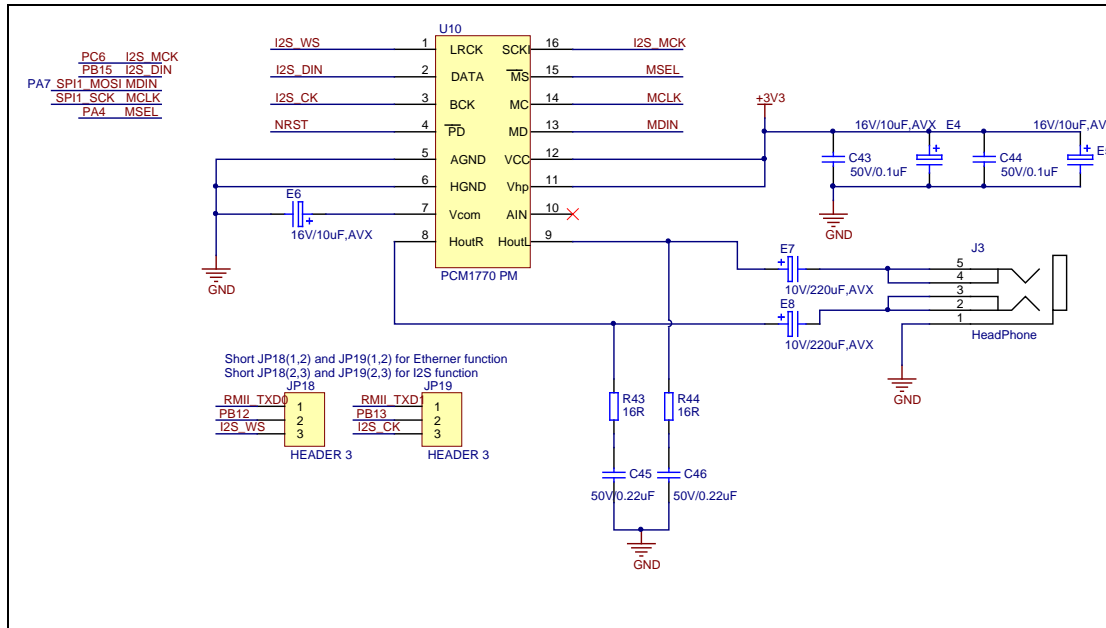
4.6 ADC/DAC

Figure 6. Schematic diagram of ADC/DAC function



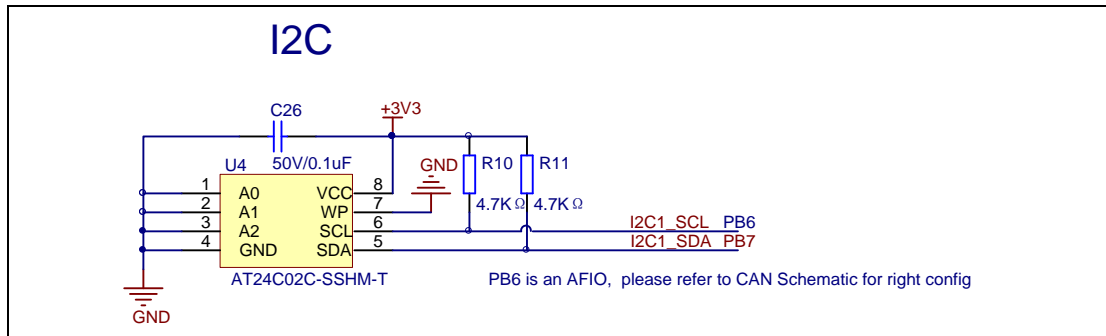
4.7 I2S

Figure 7. Schematic diagram of I2S function



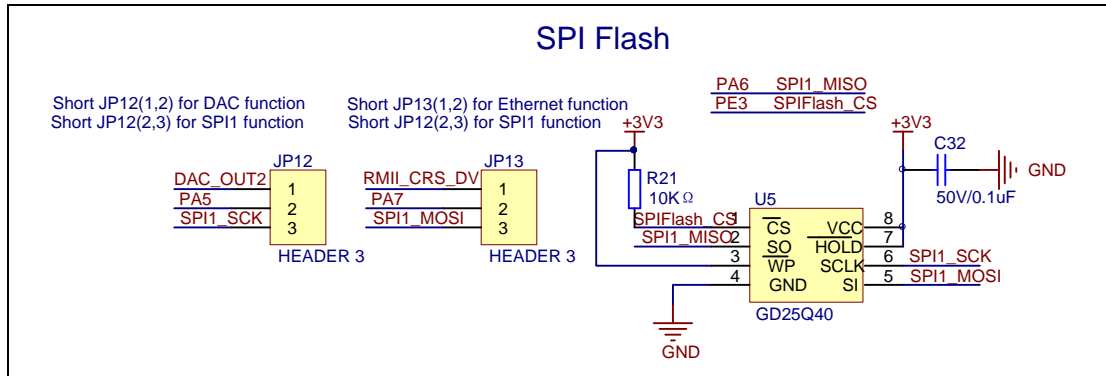
4.8 I2C

Figure 8. Schematic diagram of I2C function



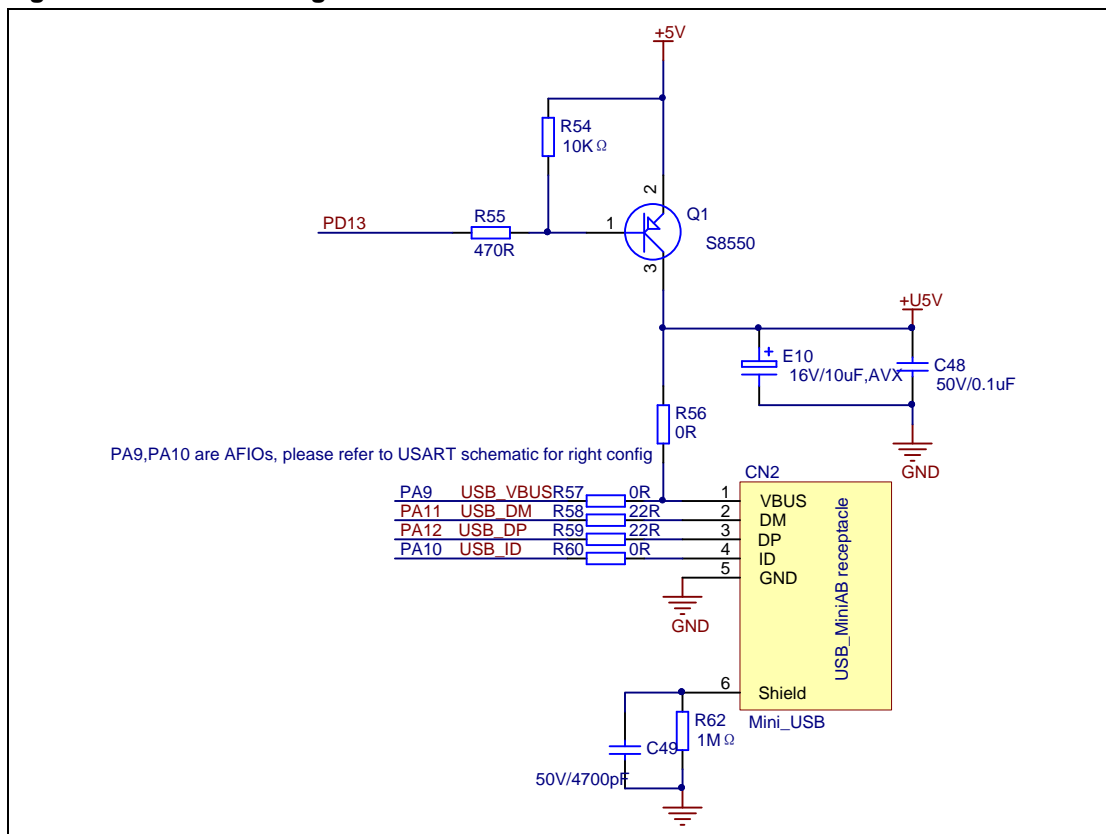
4.9 SPI-Serial Flash

Figure 9. Schematic diagram of SPI-Serial Flash function



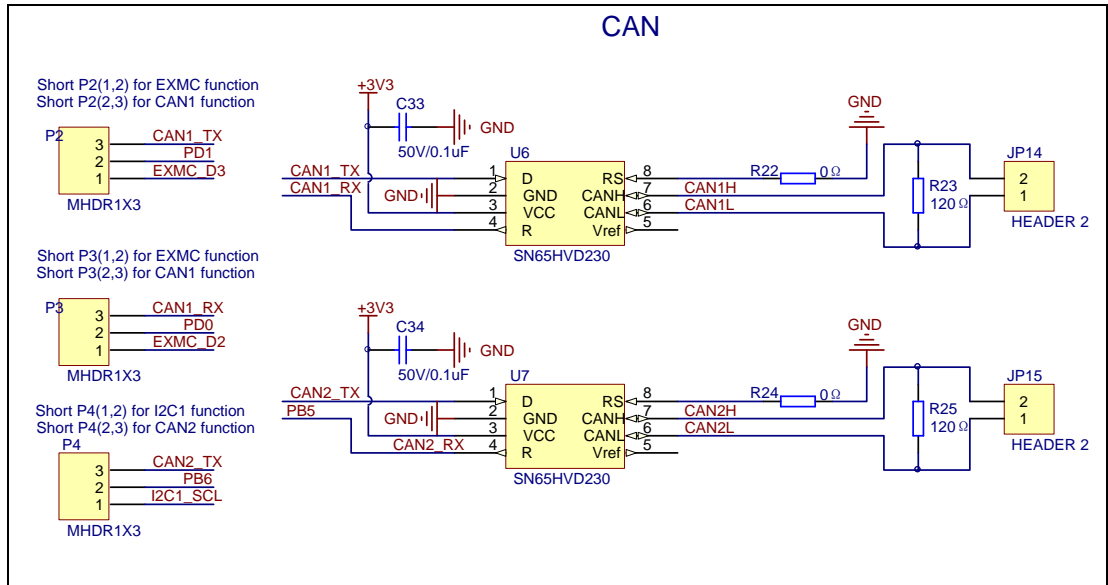
4.10 USB

Figure 10. Schematic diagram of USB function



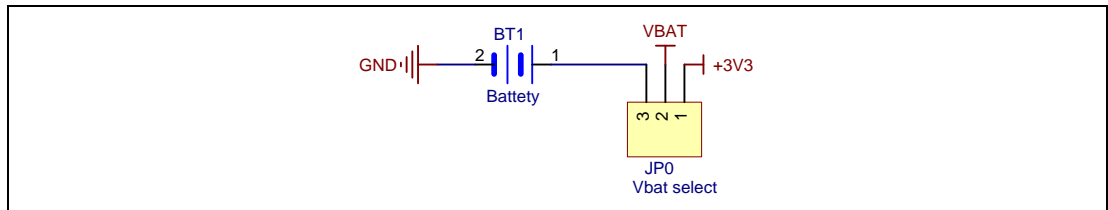
4.11 CAN

Figure 11. Schematic diagram of CAN function



4.12 RTC

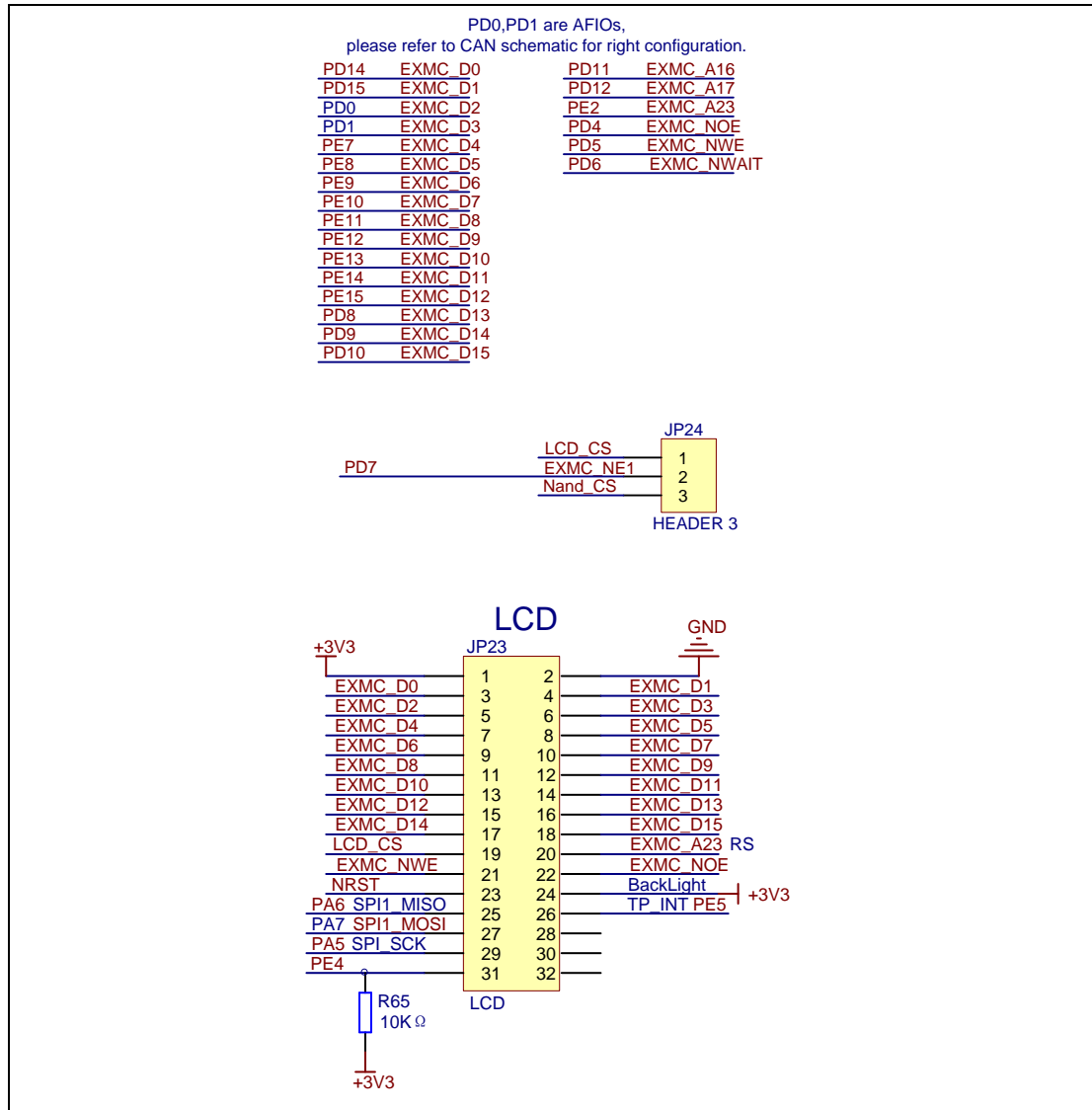
Figure 12. Schematic diagram of RTC function



4.13 EXMC-LCD

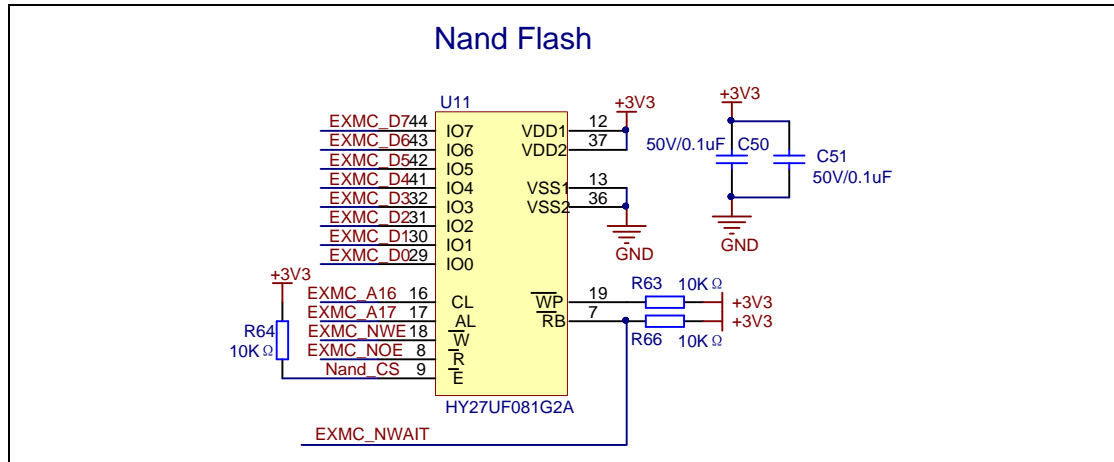
The EVAL Board supports EXMC function and uses a short jumper to extend EXMC_NE1. But only one extended NE1 (LCD_CS, Nand_CS) can be used at any time.

Figure 13. Schematic diagram of EXMC-LCD function



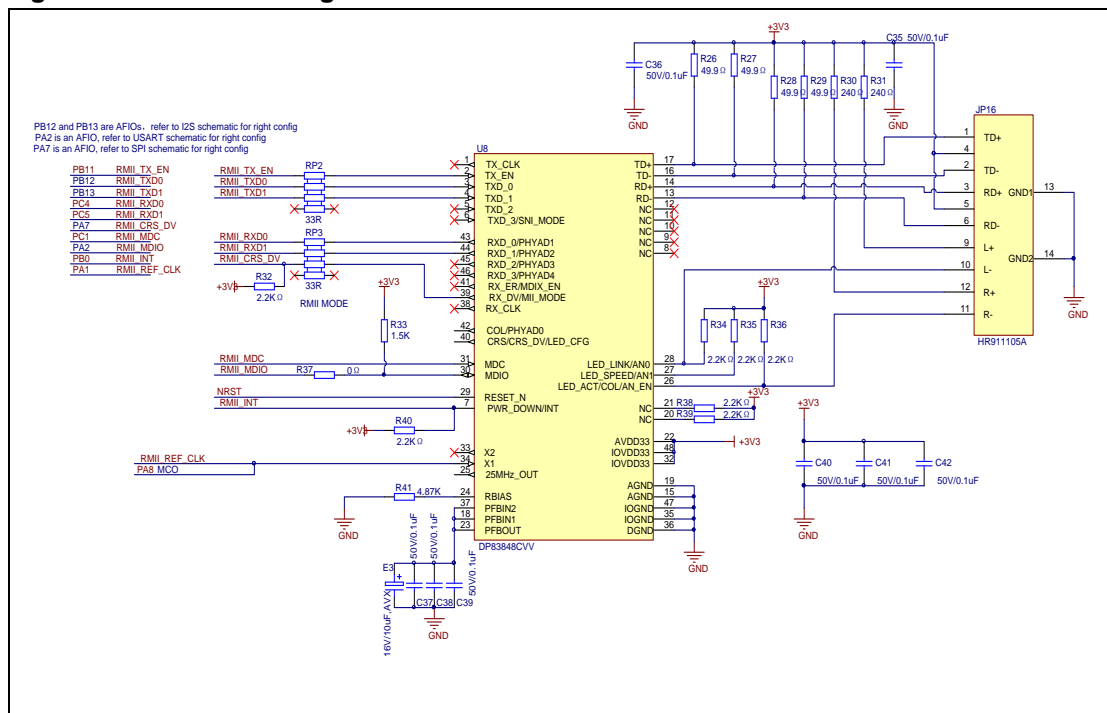
4.14 EXMC-NAND Flash

Figure 14. Schematic diagram of EXMC-NAND Flash function



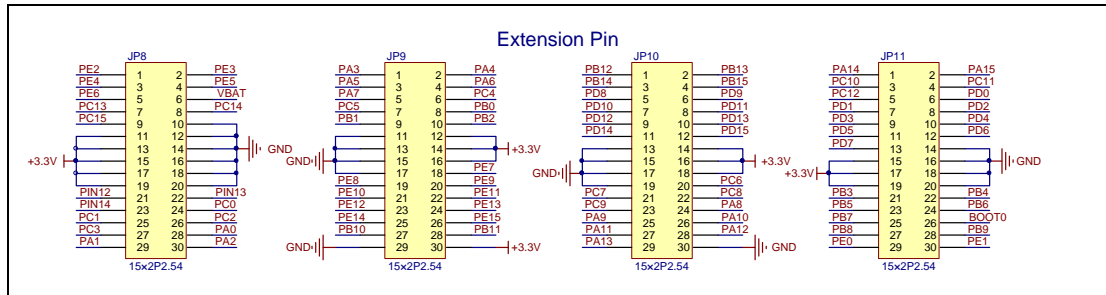
4.15 Ethernet

Figure 15. Schematic diagram of Ethernet



4.16 Extension

Figure 16. Schematic diagram of Extension Pin



5 Revision history

Table 3. Revision history

Revision No.	Description	Date
1.0	Initial Release	Nov.9, 2013

单击下面可查看定价，库存，交付和生命周期等信息

[>>GigaDevice\(兆易创新\)](#)