

#### DESCRIPTION

The GLF4001 is an integrated power multiplexer switch with dual independent power switches connected to a single output pin to enable seamless transition between two input sources.

The GLF4001 provides an automatic selection mode as well as a manual selection mode by the combination of the logic input pins of EN and SEL. The EN input pin is used along with the select (SEL) input pin to select the automatic switching function, select VIN1 only, select VIN2 only, or turn both switches off. In the automatic selection mode, the GLF4001 automatically selects the higher input voltage source out of two input DC power supplies.

The GLF4001 features an ultra-efficient  $I_{QSmart}^{\text{TM}}$  technology that offers quiescent current ( $I_Q$ ) and shutdown current ( $I_{SD}$ ) in the industry. Low  $R_{ON}$  reduces conduction losses while low  $I_Q$  and  $I_{SD}$  solutions help designers to reduce parasitic leakage current, improve system efficiency, and increase battery lifetime.

The GLF4001 blocks any cross-conduction current between two input power sources. When the switch is disabled, the GLF4001 prevents the reverse current to the input source from the output at any higher  $V_{out}$  than  $V_{in}$  condition.

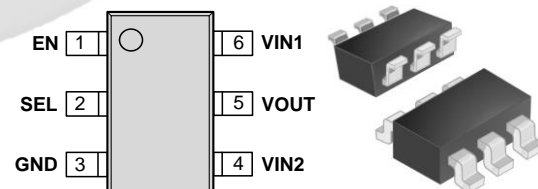
#### FEATURES

- Two-Input and Single-Output Power Multiplexer Switch
- Automatic and Manual Input Selection Mode
- Supply Voltage Range: 1.5 V to 5.5 V  
6 Vabs Max
- $R_{ON}$  : 68 m $\Omega$  Typ. at 5.5 V<sub>IN1</sub> or V<sub>IN2</sub>  
77 m $\Omega$  Typ. at 3.3 V<sub>IN1</sub> or V<sub>IN2</sub>
- 2 A Continuous Output Current Capability Per Channel
- Ultra-Low Supply Current at Operation  
 $I_Q$  : 4  $\mu$ A Typ at 5.5 V<sub>IN</sub>
- Ultra-Low Stand-by Current  
 $I_{SD}$  : 20 nA Typ at 5.5 V<sub>IN</sub>
- Smart Control Pins  
 $I_{EN}$  and  $I_{SEL}$  : 3 nA Typ at  $V_{EN}$  or  $V_{SEL} > V_{IH}$   
 $R_{EN}$  and  $R_{SEL}$  : 500 k $\Omega$  Typ
- No Cross Conduction Between Two Inputs
- Reverse Current Blocking when Disabled
- Operating Temperature Range: -40 to 85 °C
- HBM: 6 kV, CDM: 2 kV

#### APPLICATIONS

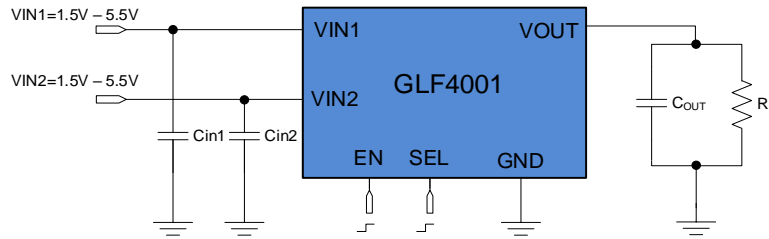
- Smart IoT Devices
- Wearables / Portable Devices

#### PACKAGE



SOT23-6L

**APPLICATION DIAGRAM**



**FUNCTIONAL BLOCK DIAGRAM**

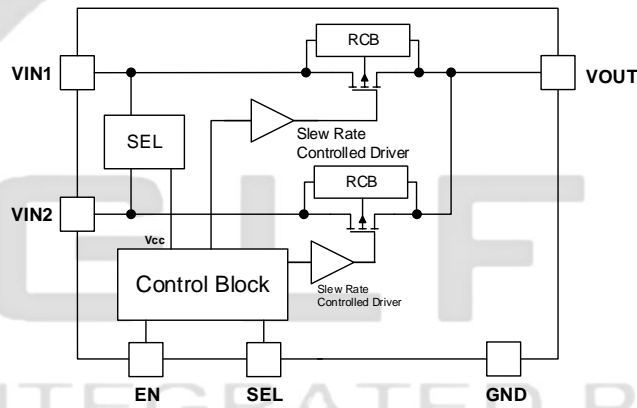
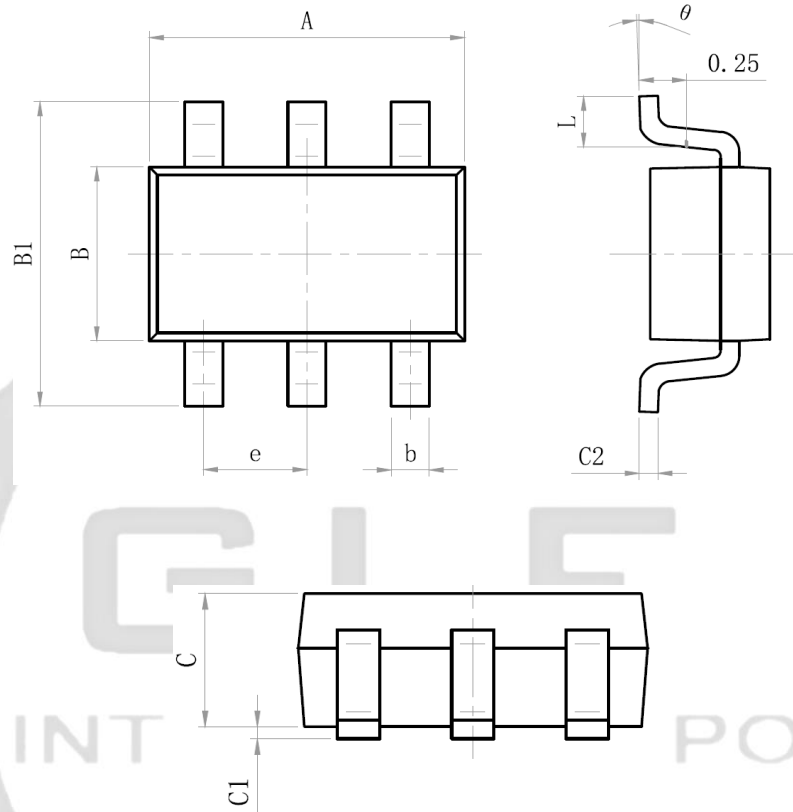


Figure 1. Functional Block Diagram

**PACKAGE OUTLINE**



Size Mark	Min (mm)	Max (mm)	Size Mark	Min (mm)	Max (mm)
A	2.82	3.02	C	1.05	1.15
e	0.95 (BSC)		C1	0.03	0.15
b	0.28	0.45	C2	0.12	0.23
B	1.50	1.70	L	0.35	0.55
B1	2.60	3.00	θ	0°	8°

单击下面可查看定价，库存，交付和生命周期等信息

[>>GLF](#)