

#### DESCRIPTION

The GLF2310A-T1G7 is an advanced technology fully integrated power switch for applications required for precision output current limiting. The GLF2310A-T1G7 features also various protection functions such as under voltage lockout, true reverse current blocking (TRCB), short circuit protection, and thermal shutdown.

The GLF2310A-T1G7 provides a built-in output voltage slew rate control to limit the inrush current and voltage surges. The FLGB output pin can be used to send a signal of fault events to the system controller. The integrated thermal shutdown (TSD) insures complete protection for the switch during output current limit and short circuit conditions. The GLF2310A-T1G7 is an ideal switch for USB power supply.

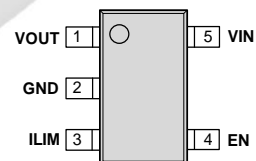
#### FEATURES

- Input Range: 2.5 V to 5.5 V
- Programmable Output Constant Current Limit
  - Range: 40 mA ~ 2.1 A
- Low  $R_{ON}$ : 56 m $\Omega$  Typ. @ 5 V<sub>IN</sub>
- Ultra-Low I<sub>Q</sub>: 20 uA Typ. @ 5.0 V<sub>IN</sub>
- Ultra-Low I<sub>SD</sub>: 50 nA Typ. @ 5.0 V<sub>IN</sub>
- Under Voltage Lockout Protection
- Output Voltage Slew Rate Controlled
- True Reverse Current Blocking Protection
- Short Circuit Protection
- Deglitched Fault Flag Indication
- Thermal Shutdown Protection
- IEC 62368-1:2018 CB Certification No. FI-52066

#### APPLICATIONS

- USB ports
- Notebooks
- Set-Top Boxes
- Telecom Systems

#### PACKAGE

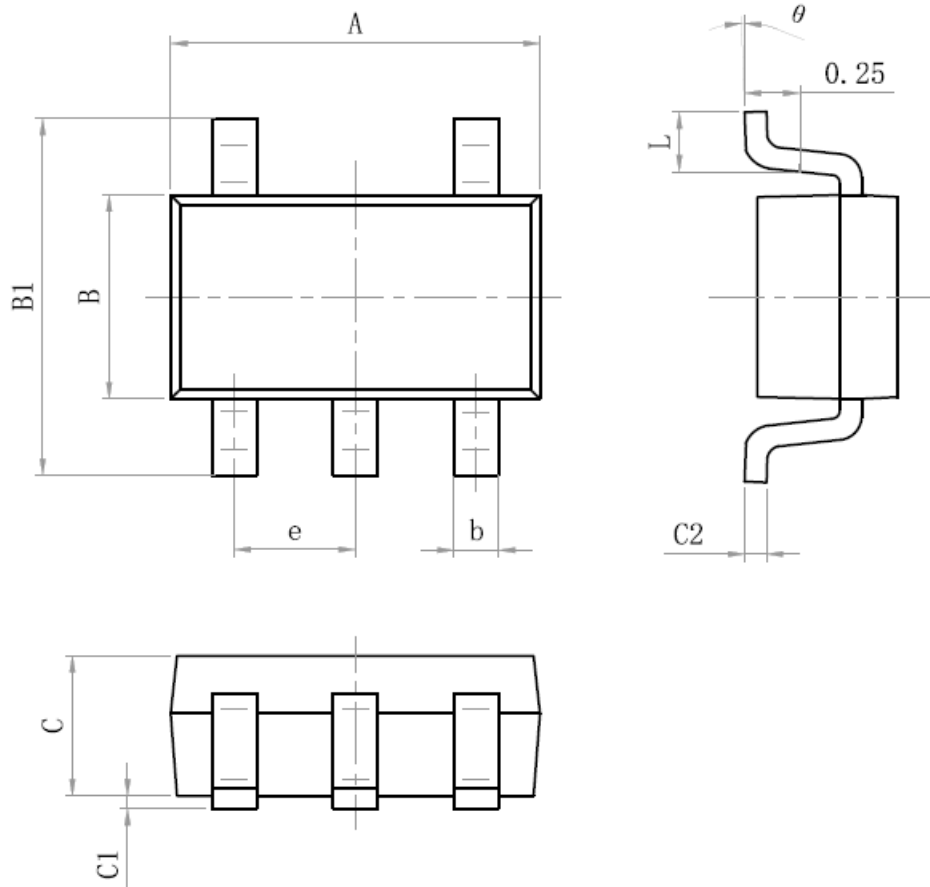


SOT23-5L

**PACKAGE OUTLINE**

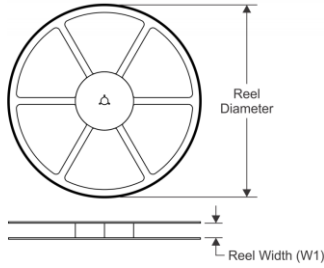
**SOT23-5L**

Size Mark	Min (mm)	Max (mm)	Size Mark	Min (mm)	Max (mm)
A	2.82	3.02	C	1.05	1.15
e	0.95 (BSC)		C1	0.03	0.15
b	0.28	0.45	C2	0.12	0.23
B	1.50	1.70	L	0.35	0.55
B1	2.60	3.00	$\theta$	0°	8°

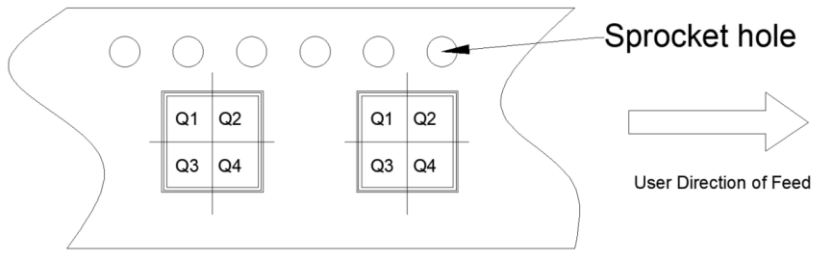


**TAPE AND REEL INFORMATION**

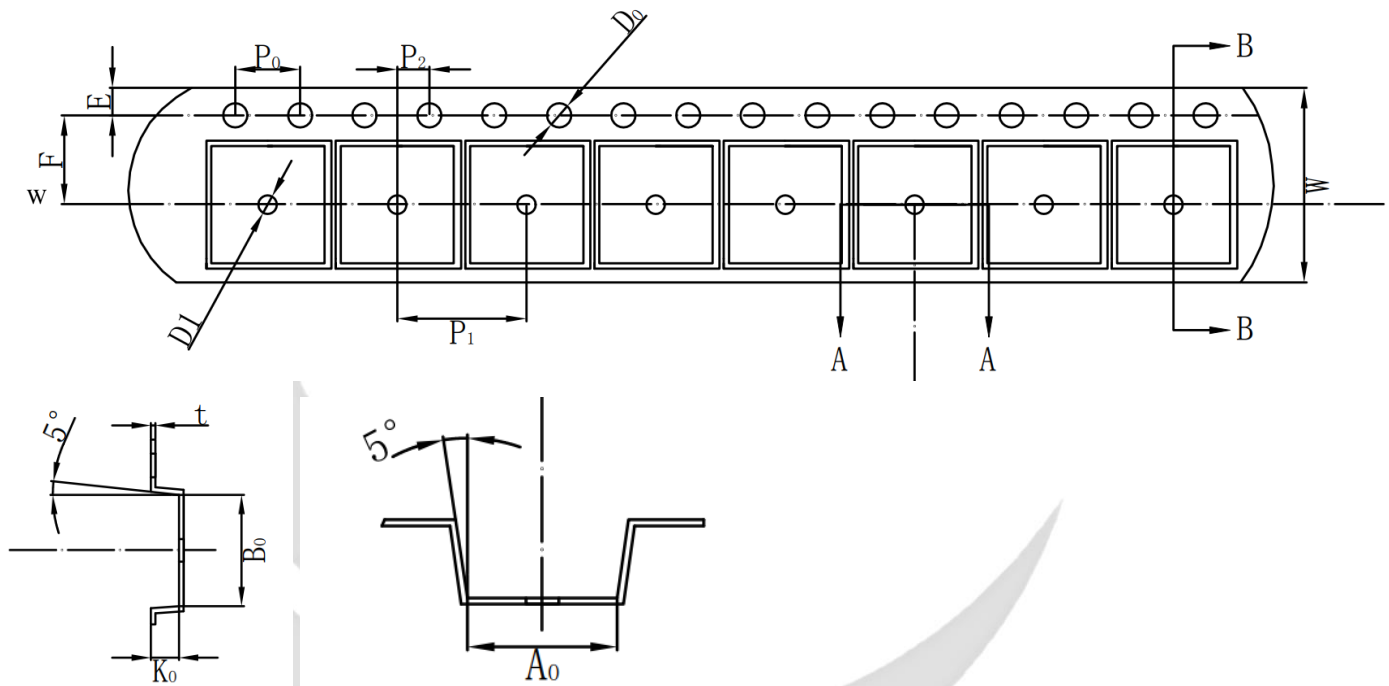
**REEL DIMENSIONS**



**QUADRANT ASSIGNMENTS PIN 1 ORIENTATION TAPE**



**TAPE DIMENSIONS**



Device	Package	Pins	SPQ	Reel Diameter(mm)	Reel Width W1	A0	B0	K0	P1	W	Pin1
GLF2310A-T1G7	SOT23-5	5	3000	178	9	3.25	3.30	1.38	4	8	Q3

**Remark:**

- A0: Dimension designed to accommodate the component width
- B0: Dimension designed to accommodate the component length
- C0: Dimension designed to accommodate the component thickness
- W: Overall width of the carrier tape
- P1: Pitch between successive cavity centers

单击下面可查看定价，库存，交付和生命周期等信息

[>>GLF\(杰夫微\)](#)