

DESCRIPTION

The GLF1501 load Switch is a fully integrated 3 A NMOS load switch with I_QSmart™ advanced technology. The device is targeted for the mobile computing and data storage markets as a high performance, low-cost solution for load switch applications.

The GLF1501 has a constant low on-resistance of 52 mΩ at room temperature. The fixed rise time helps prevent undesirable inrush current when turned on and the internal EN pin pull-down resistor ensures the device remains in the shutdown mode when disabled. In shutdown mode the GLF1501 draws only 6 nA typical at 3.6 V input supply voltage.

The GLF1501 features a reverse current blocking protection. When the GLF1501 is disabled, it prevents reverse current flowing from the output to the input source.

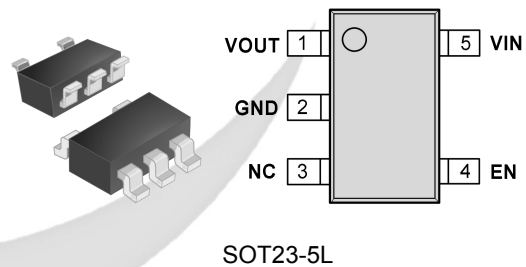
FEATURES

- Supply Voltage Range: 0.85 V to 3.6 V
- Low R_{ON}: 52 mΩ Typ at Supply Voltage Range
- I_{OUT} Max: 3 A
- Ultra-Low I_Q :
 - 50 nA Typ at 0.8 V_{IN}
 - 52 nA Typ at 1.0 V_{IN}
 - 70 nA Typ at 1.2 V_{IN}
- Integrated Slew Rate Control Driver
- Reverse Current Blocking Protection When Disabled
- Internal EN Pull-Down Resistor
- Integrated Output Discharge Switch
- HBM: 4 kV, CDM : 2 kV

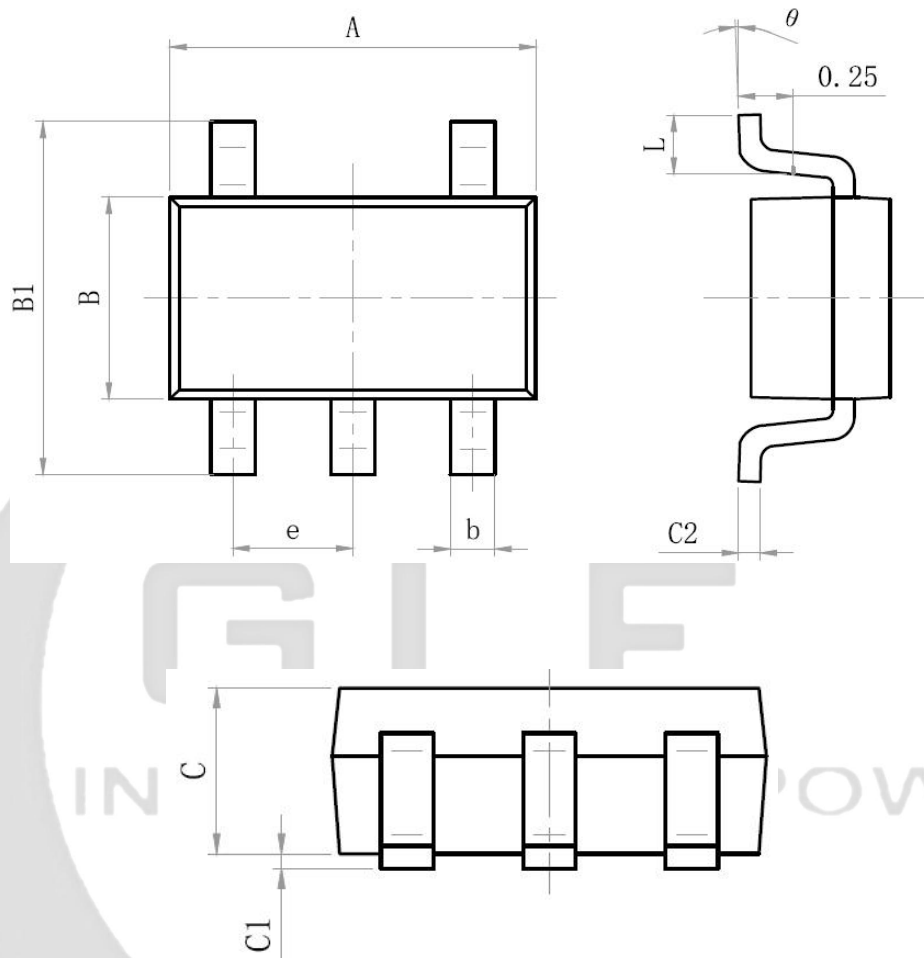
APPLICATIONS

- Low Power Subsystems
- Wearables
- Data Storage

PACKAGE



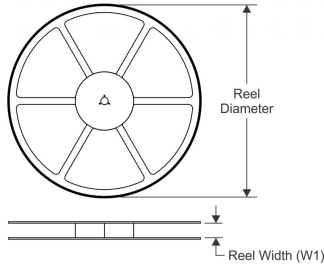
PACKAGE OUTLINE



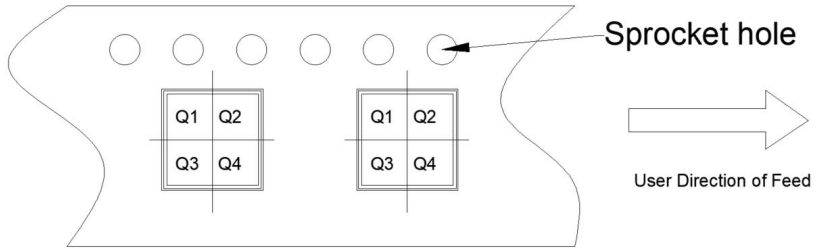
Size Mark	Min (mm)	Max (mm)	Size Mark	Min (mm)	Max (mm)
A	2.82	3.02	C	1.05	1.15
e	0.95 (BSC)		C1	0.03	0.15
b	0.28	0.45	C2	0.12	0.23
B	1.50	1.70	L	0.35	0.55
B1	2.60	3.00	θ	0°	8°

TAPE AND REEL INFORMATION

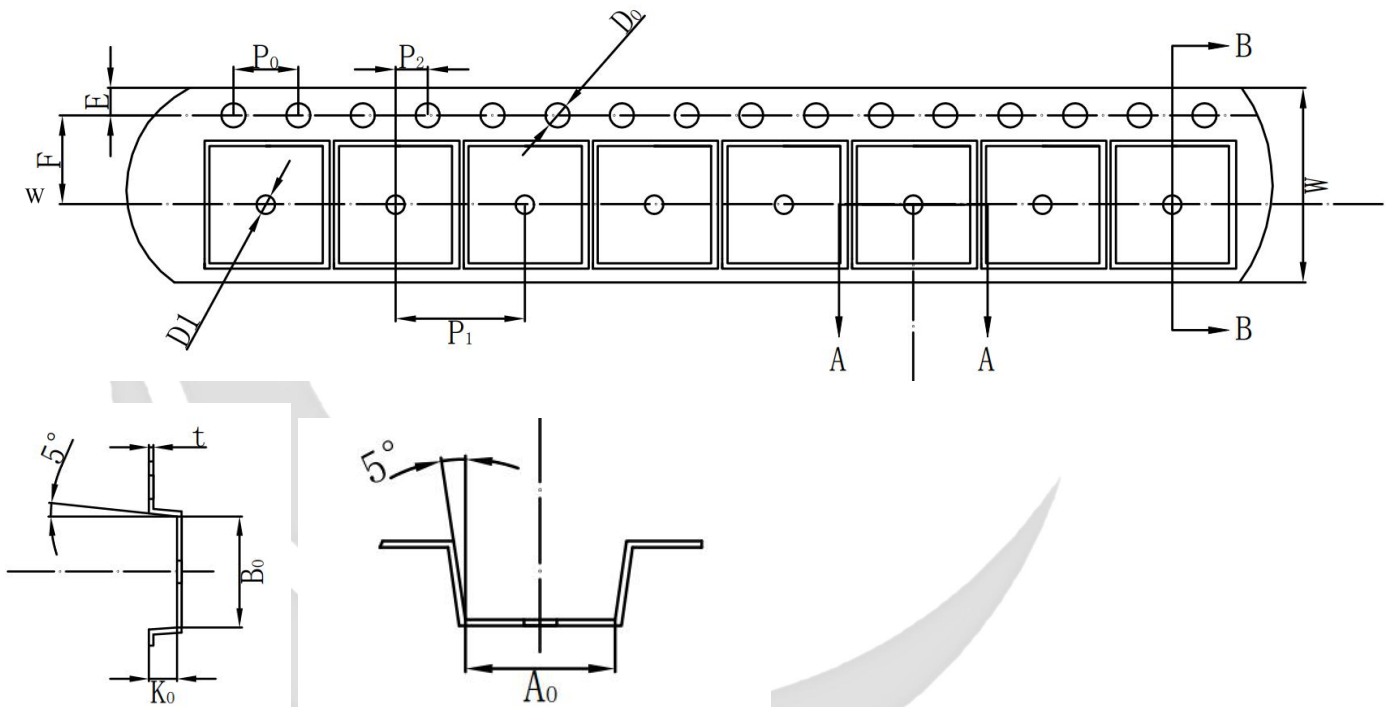
REEL DIMENSIONS



QUADRANT ASSIGNMENTS PIN 1 ORIENTATION TAPE



TAPE DIMENSIONS



Device	Package	Pins	SPQ	Reel Diameter(mm)	Reel Width W1	A0	B0	K0	P1	W	Pin1
GLF1501-T1G7	SOT23-5	5	3000	178	9	3.25	3.30	1.38	4	8	Q3

Remark:

A0: Dimension designed to accommodate the component width

B0: Dimension designed to accommodate the component length

C0: Dimension designed to accommodate the component thickness

W: Overall width of the carrier tape

P1: Pitch between successive cavity centers

单击下面可查看定价，库存，交付和生命周期等信息

[>>GLF\(杰夫微\)](#)