

DESCRIPTION

The GLF4020 is an integrated power multiplexer switch with dual independent power switches connected to a single output pin to enable seamless transition between two input sources.

The GLF4020 provides an automatic selection mode as well as a manual selection mode by the combination of the logic input pins of EN and SEL. The EN input pin is used along with the select (SEL) input pin to select the automatic switching function, select VIN1 only, select VIN2 only, or turn both switches off. In the automatic selection mode, the GLF4020 automatically selects the higher input voltage source out of two input DC power supplies.

The GLF4020 features an ultra-efficient I_{QSmart}^{TM} technology that offers quiescent current (I_Q) and shutdown current (I_{SD}) in the industry. Low R_{ON} reduces conduction losses while low I_Q and I_{SD} solutions help designers to reduce parasitic leakage current, improve system efficiency, and increase battery lifetime.

The GLF4020 blocks any cross-conduction current between two input power sources. When the switch is disabled, the GLF4020 prevents the reverse current to the input source from the output at any higher V_{out} than V_{in} condition.

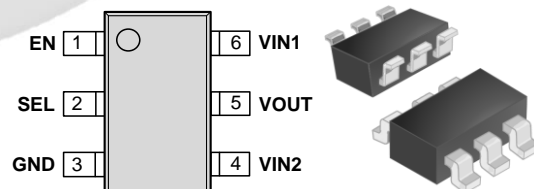
FEATURES

- Two-Input and Single-Output Power Multiplexer Switch
- Automatic and Manual Input Selection Mode
- Supply Voltage Range: 2.5 V to 6.5 V
7 Vabs Max
- R_{ON} : 92 m Ω Typ. at 6.5 V_{IN1} or V_{IN2}
105 m Ω Typ. at 4.5 V_{IN1} or V_{IN2}
- 2 A Continuous Output Current Capability Per Channel
- Ultra-Low Supply Current at Operation
 I_Q : 4 μ A Typ at 6.5 V_{IN}
- Ultra-Low Stand-by Current
 I_{SD} : 10 nA Typ at 6.5 V_{IN}
- Smart Control Pins
 I_{EN} and I_{SEL} : 3 nA Typ at V_{EN} or $V_{SEL} > V_{IH}$
 R_{EN} and R_{SEL} : 500 k Ω Typ
- No Cross Conduction Between Two Inputs
- Reverse Current Blocking when Disabled
- Operating Temperature Range: - 40 to 85 °C
- HBM: 6 kV, CDM: 2 kV

APPLICATIONS

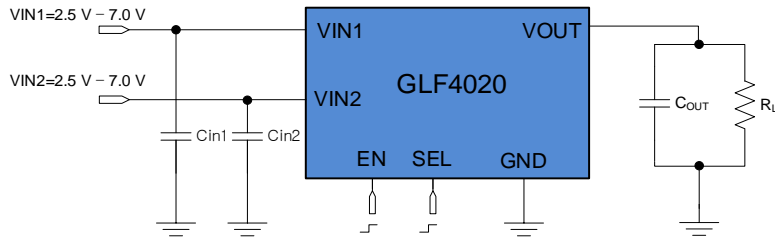
- Smart Devices
- Smart Home Electronics

PACKAGE



SOT23-6L

APPLICATION DIAGRAM



FUNCTIONAL BLOCK DIAGRAM

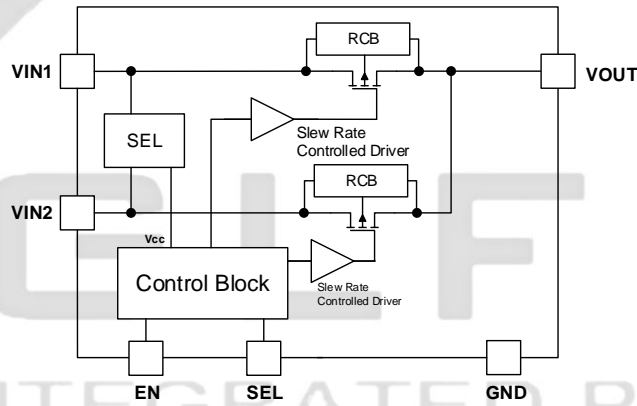
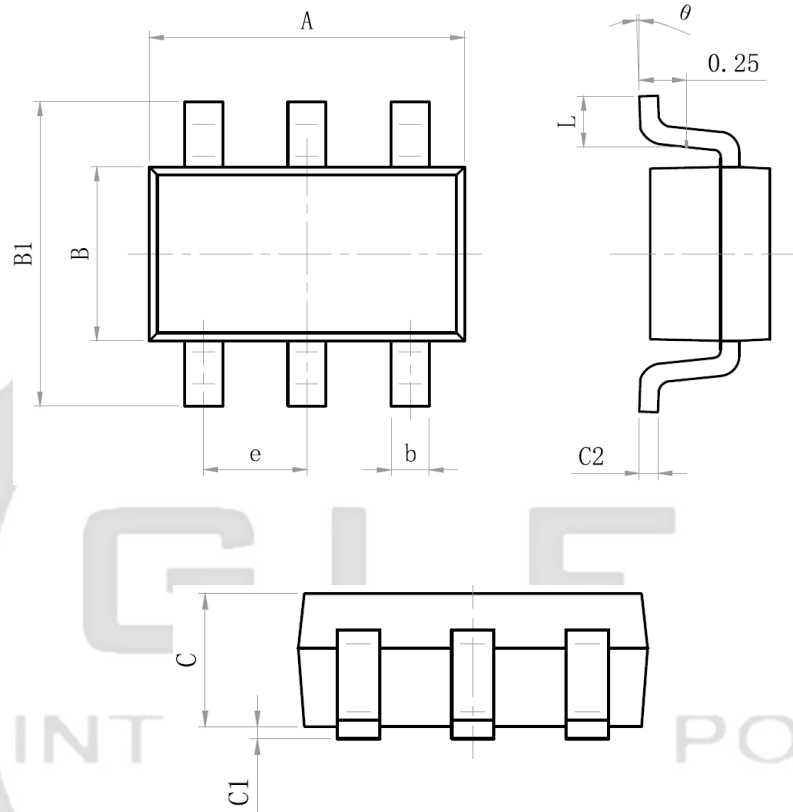


Figure 1. Functional Block Diagram

PACKAGE OUTLINE



Size Mark	Min (mm)	Max (mm)	Size Mark	Min (mm)	Max (mm)
A	2.82	3.02	C	1.05	1.15
e	0.95 (BSC)		C1	0.03	0.15
b	0.28	0.45	C2	0.12	0.23
B	1.50	1.70	L	0.35	0.55
B1	2.60	3.00	θ	0°	8°

单击下面可查看定价，库存，交付和生命周期等信息

[>>GLF](#)