

# GLF72122

## 4 A, Slew Rate Controlled I<sub>Q</sub>Smart™ Load Switch with True Reverse Current Blocking

### Product Specification

#### DESCRIPTION

The GLF72122 are an advanced technology fully integrated I<sub>Q</sub>Smart™ load switch device with True Reverse Current Blocking (TRCB) technology and the slew rate control of the output voltage.

The GLF72122 offer industry leading True Reverse Current Blocking (TRCB) performance, featuring an ultra-low threshold voltage. It minimizes reverse current flow in the event that the V<sub>OUT</sub> pin voltage exceeds the V<sub>IN</sub> voltage.

The GLF72122 have industry leading efficiency. It features a 14 mΩ R<sub>ON</sub> typical at 5.5 V, reducing power loss during conduction. The device also features ultra-low shutdown current (I<sub>SD</sub>) to reduce power loss and battery drain in the off state. When EN is pulled low, and the output is grounded, the GLF72122 can achieve an I<sub>SD</sub> as low as 56 nA typical at 5.5 V.

The GLF72122 load switch device support an industry leading wide input voltage range and helps to improve operating life and system robustness. Furthermore, one device can be used in multiple voltage rail applications which helps to simplify inventory management and reduces operating cost.

The GLF72122 load switch device are in a 0.97 mm x 1.47 mm x 0.55 mm chip scale package with 6 bumps and a 0.5 mm pitch.

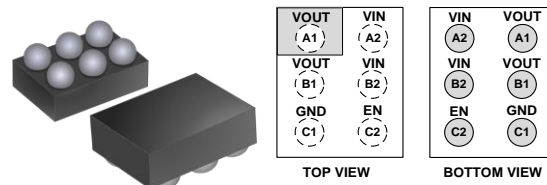
#### FEATURES

- True Reverse Current Blocking
- Low R<sub>ON</sub>: 14 mΩ Typ at 5.5 V<sub>IN</sub>
- Ultra-Low I<sub>Q</sub>: 1.3 μA Typ at 5.5 V<sub>IN</sub>
- Ultra-Low I<sub>SD</sub>: 56 nA Typ at 5.5 V<sub>IN</sub>
- I<sub>OUT</sub> Max: 4 A
- Supply Voltage Range: 1.5 V to 5.5 V  
6 Vabs max
- Controlled V<sub>OUT</sub> Rise Time  
2000 μs at 3.3 V<sub>IN</sub>
- Internal EN Pull-Down Resistor
- 0.97 mm x 1.47 mm x 0.55 mm Wafer Level Chip Scale Package

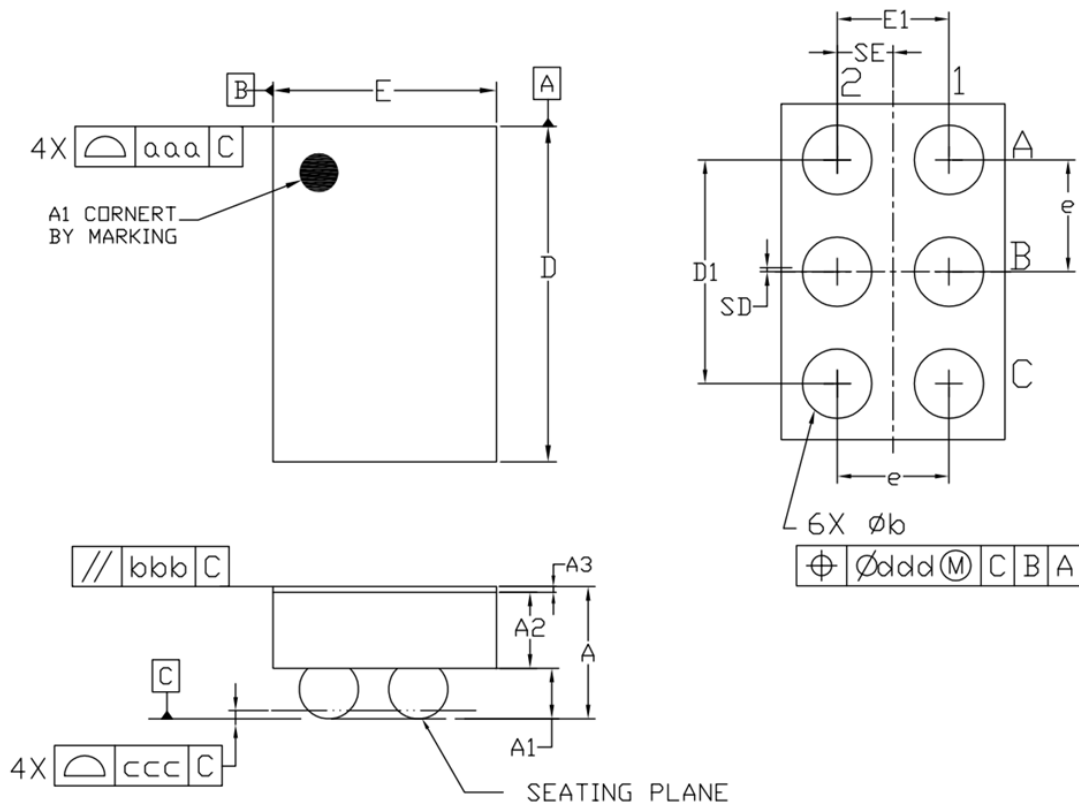
#### APPLICATIONS

- Mobile Devices
- Wearables
- Low Power Subsystems

#### PACKAGE



**PACKAGE OUTLINE**



ER

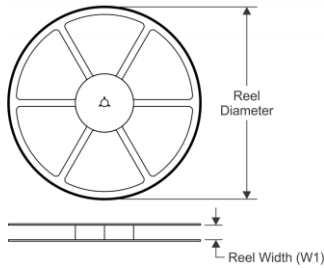
Notes

1. ALL DIMENSIONS ARE IN MILLIMETERS (ANGLES IN DEGREES)
2. DIMENSIONING AND TOLERANCING PER ANSI Y14.5M-1994.
3. A3: BACKSIDE LAMINATION

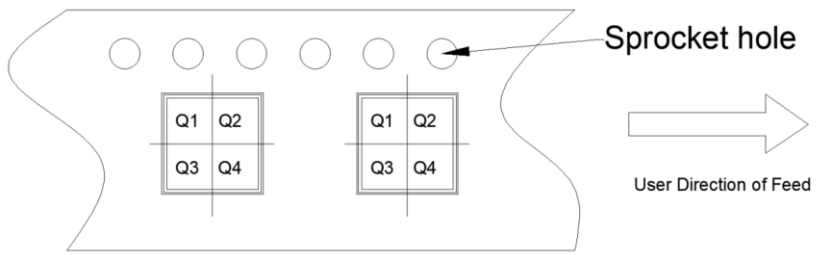
Dimensional Ref.			
REF.	Min.	Nom.	Max.
A	0.500	0.550	0.600
A1	0.225	0.250	0.275
A2	0.250	0.275	0.300
A3	0.020	0.025	0.030
D	1.460	1.470	1.485
E	0.960	0.970	0.985
D1	0.950	1.000	1.050
E1	0.450	0.500	0.550
b	0.260	0.310	0.360
e	0.500 BSC		
SD	0.000 BSC		
SE	0.250 BSC		
Tol. of Form&Position			
aaa	0.10		
bbb	0.10		
ccc	0.05		
ddd	0.05		

**TAPE AND REEL INFORMATION**

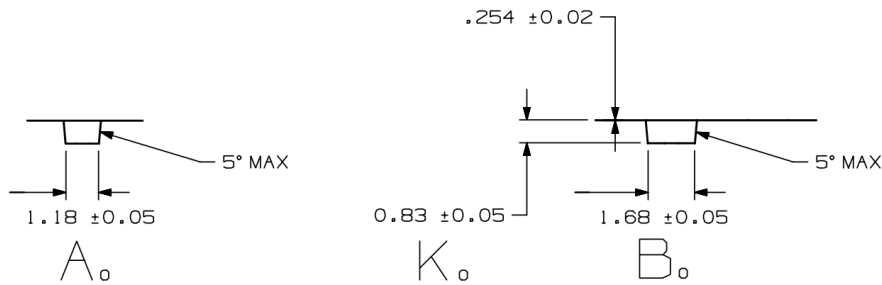
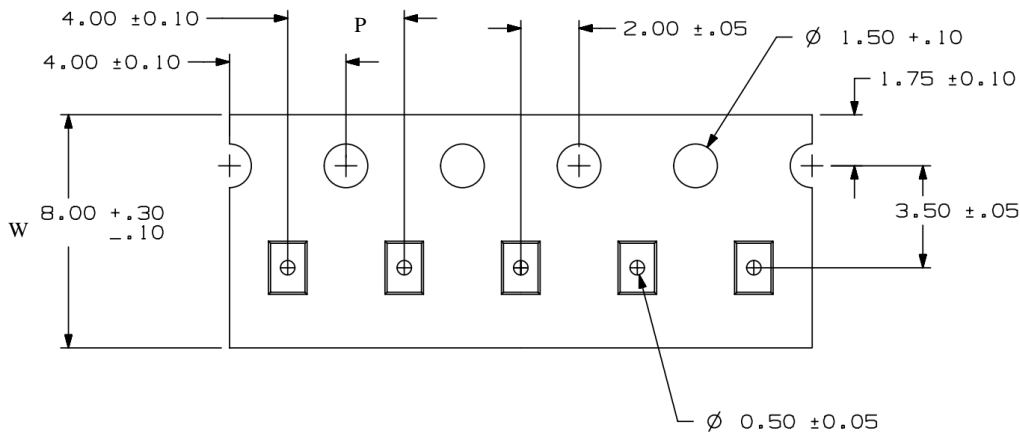
**REEL DIMENSIONS**



**QUADRANT ASSIGNMENTS PIN 1 ORIENTATION TAPE**



**TAPE DIMENSIONS**



Device	Package	Pins	SPQ	Reel Diameter(mm)	Reel Width W1	A0	B0	K0	P	W	Pin1
GLF72122	WLCSP	6	3000	180	9	1.18	1.68	0.83	4	8	Q1

**Remark:**

- A0: Dimension designed to accommodate the component width
- B0: Dimension designed to accommodate the component length
- C0: Dimension designed to accommodate the component thickness
- W: Overall width of the carrier tape
- P: Pitch between successive cavity centers

单击下面可查看定价，库存，交付和生命周期等信息

[>>GLF\(杰夫微\)](#)