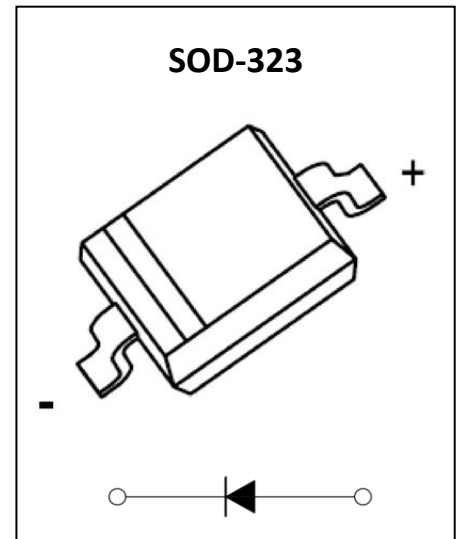


**1N4448WS Fast Switching Diodes**
**Feature**

- $V_R$  75V
- $I_{FAV}$  250mA

**Application**

- Extreme fast switches

**MARKING:**

**ABSOLUTE MAXIMUM RATINGS ( $T_a=25^\circ\text{C}$  unless otherwise noted)**

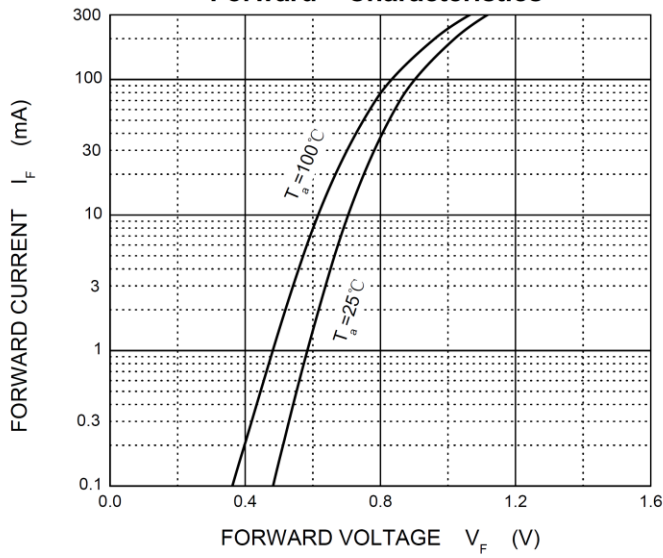
Parameter	Symbol	Value	Unit
Non-Repetitive Peak Reverse Voltage	$V_{RSM}$	100	V
Repetitive Peak Reverse Voltage	$V_{RRM}$	75	V
Average rectified output current	$I_O$	0.25	A
Forward continuous current	$I_{FM}$	0.50	A
Non-repetitive Peak Forward Surge Current @ $t=1\ \mu\text{s}$	$I_{FSM}$	4	A
Power Dissipation	$P_D$	0.5	W
Junction Temperature	$T_J$	150	$^\circ\text{C}$
Storage Temperature	$T_{STG}$	-65 ~ +150	$^\circ\text{C}$

**ELECTRICAL CHARACTERISTICS ( $T_a=25^\circ\text{C}$  unless otherwise noted)**

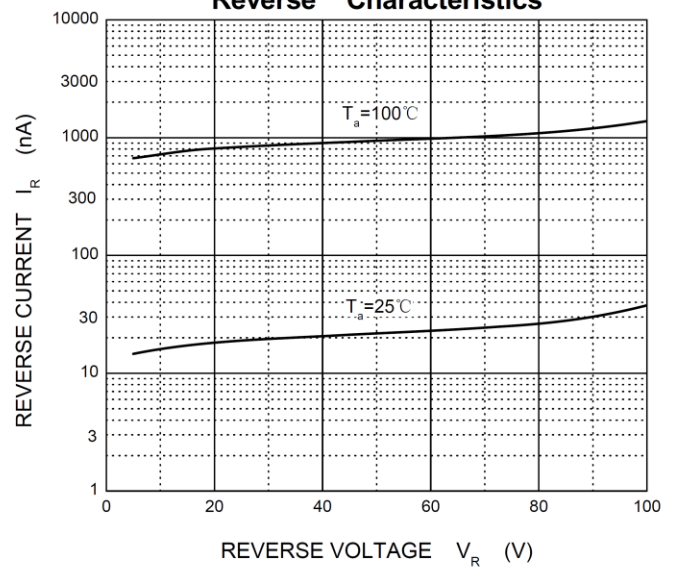
Parameter	Symbol	Test Condition	Min	Max	Unit
Forward voltage	$V_F$	$I_F = 1\text{mA}$		0.715	V
		$I_F = 10\text{mA}$		0.855	V
		$I_F = 50\text{mA}$		1.0	V
		$I_F = 150\text{mA}$		1.25	V
Reverse current	$I_R$	$V_R = 20\text{V}$		25	nA
		$V_R = 75\text{V}$		2.5	$\mu\text{A}$
Diode capacitance	$C_D$	$V_R = 0\text{V}, f = 1\text{MHz}$		4	pF
Reverse Recovery Time	$t_{rr}$	$I_F = I_R = 10\text{mA}, I_{rr} = 0.1 \cdot I_R, R_L = 100\Omega$		4	ns

**Typical Electrical and Thermal Characteristics**

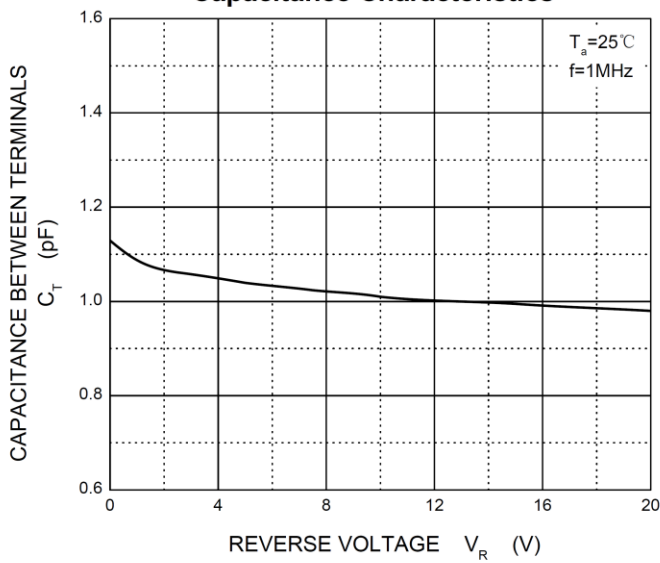
**Forward Characteristics**



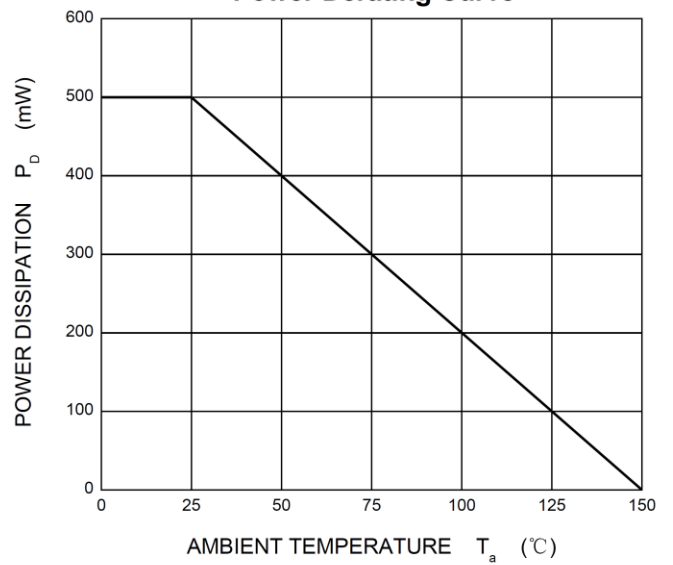
**Reverse Characteristics**

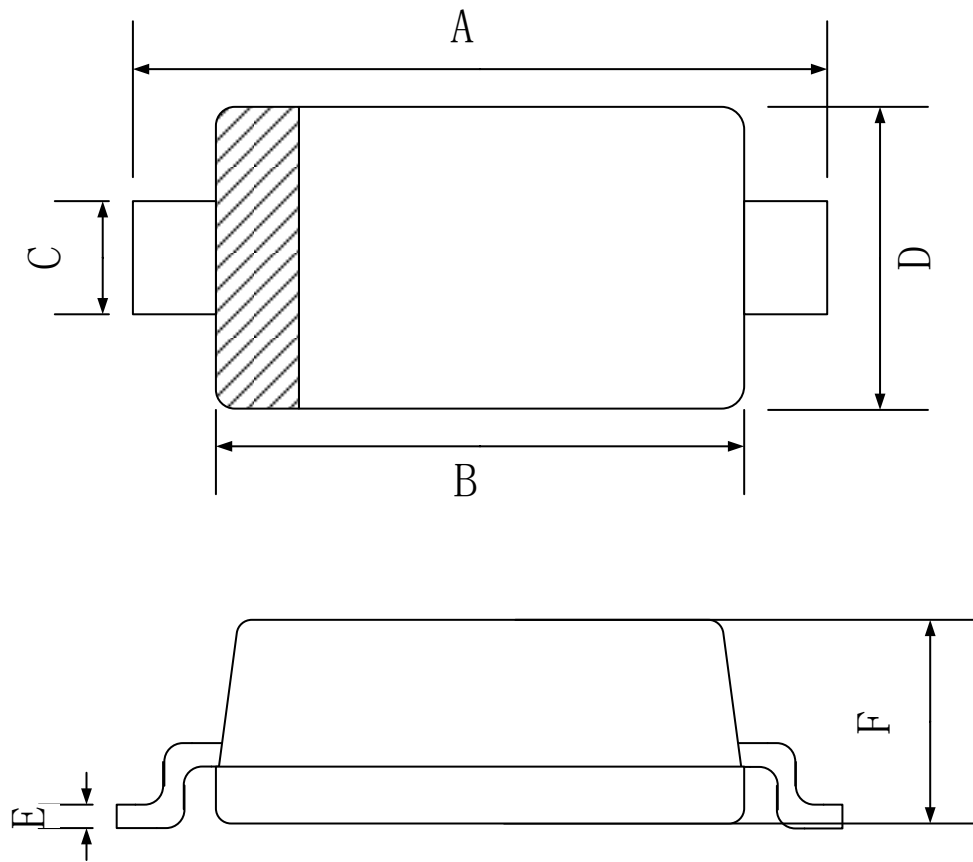


**Capacitance Characteristics**



**Power Derating Curve**

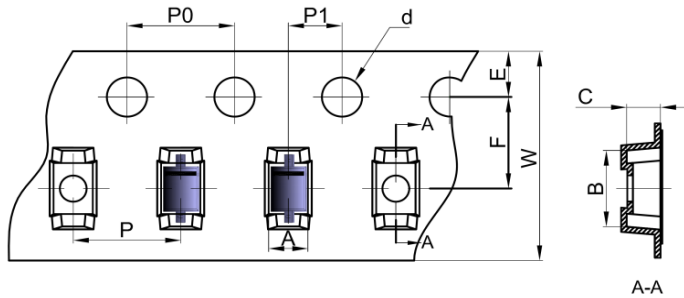


**SOD-323 Package Outline Dimensions**


Symbol	Dimensions In Millimeters		
	Min.	Typ.	Max.
A	2.30	2.50	2.70
B	1.60	1.70	1.90
C	0.25	0.325	0.40
D	1.15	1.25	1.35
E	0.089	0.095	0.101
F	0.80	0.90	1.00

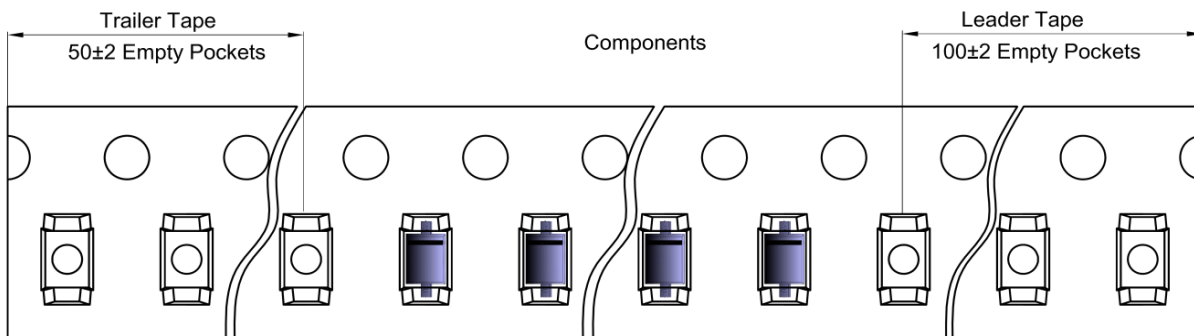
**SOD-323 Package Outline Dimensions**

**SOD-323 Embossed Carrier Tape**

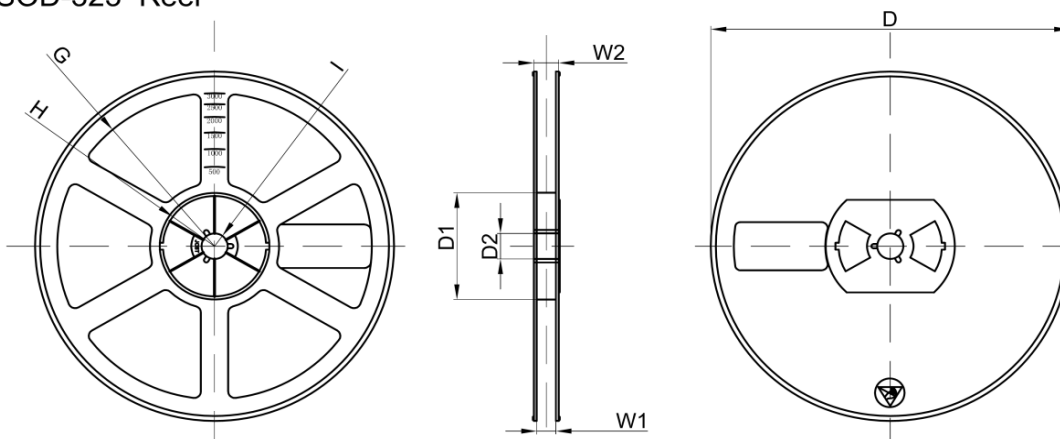


Dimensions are in millimeter										
Pkg type	A	B	C	d	E	F	P0	P	P1	W
SOD-323	1.48	3.3	1.25	Ø1.50	1.75	3.50	4.00	4.00	2.00	8.00

**SOD-323 Tape Leader and Trailer**



**SOD-323 Reel**



Dimensions are in millimeter								
Reel Option	D	D1	D2	G	H	I	W1	W2
7" Dia	Ø178.00	54.40	13.00	R78.00	R25.60	R6.50	9.50	12.30

REEL	Reel Size	Box	Box Size(mm)	Carton	Carton Size(mm)	G.W.(kg)
3000 pcs	7 inch	45,000 pcs	203×203×195	180,000 pcs	438×438×220	

单击下面可查看定价，库存，交付和生命周期等信息

[>>GP\(格瑞宝\)](#)