



**BAS316WS Switching Diode**

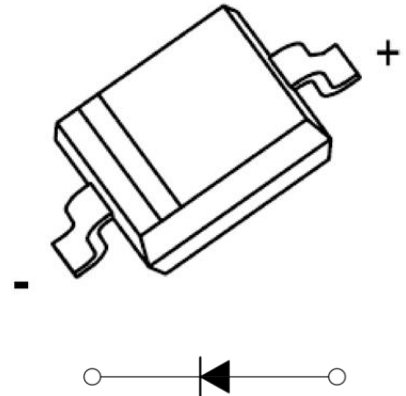
**Feature**

- Low Forward Voltage Drop
- Low Reverse Current
- High-speed Switching

**MARKING:**



**SOD-323**



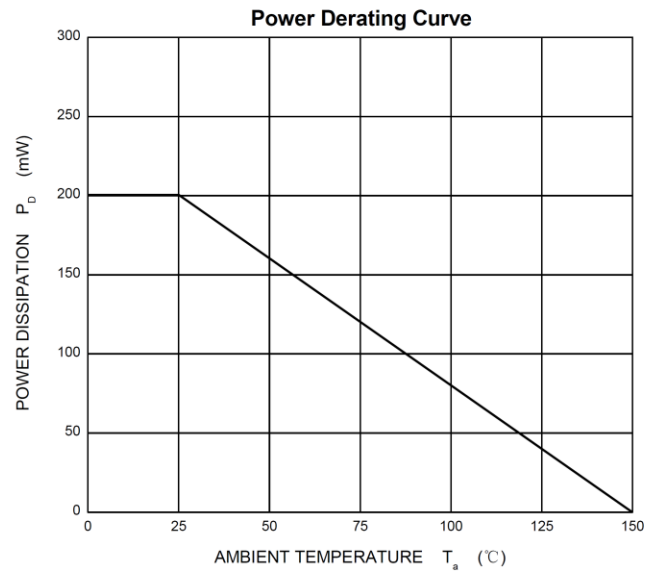
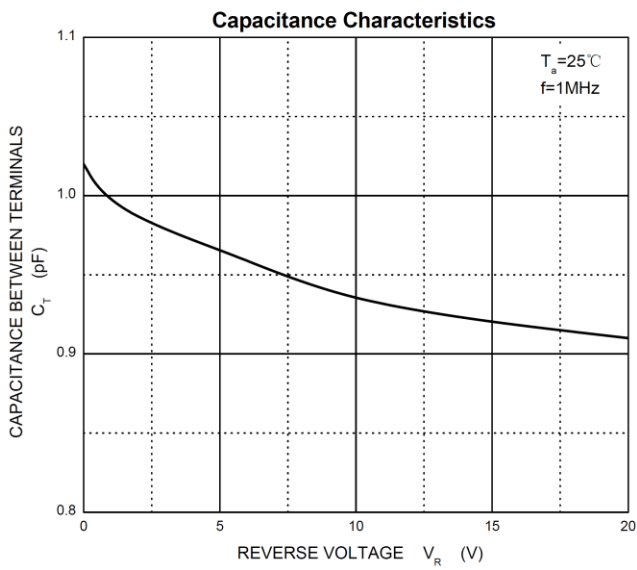
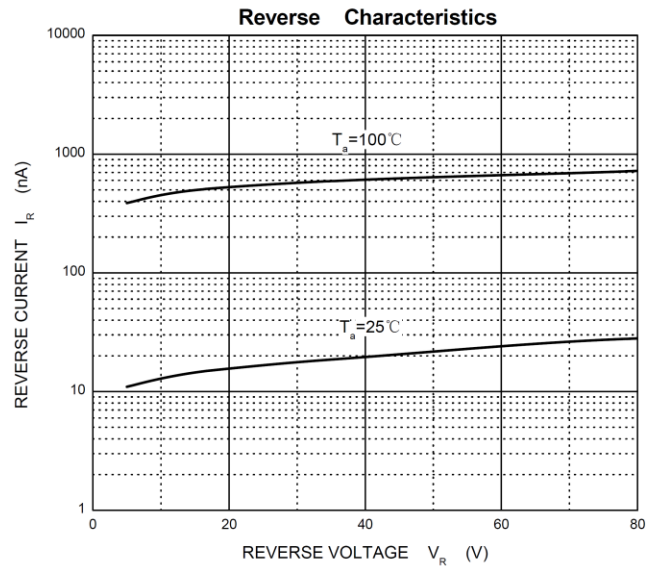
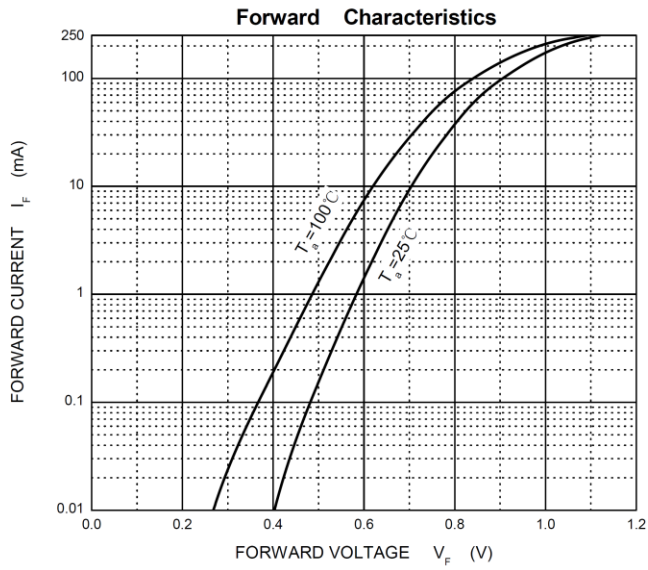
**ABSOLUTE MAXIMUM RATINGS (T<sub>a</sub>=25°C unless otherwise noted)**

| Parameter   | Symbol           | Value      | Unit |
|---|------------------|------------|------|
| Reverse voltage                                   | V <sub>R</sub>   | 100        | V    |
| Continuous Forward Current                        | I <sub>F</sub>   | 0.25       | A    |
| Repetitive Peak Forward Current                   | I <sub>FRM</sub> | 0.50       | A    |
| Non-repetitive Peak Forward Surge Current @ t=1ms | I <sub>FSM</sub> | 1          | A    |
| Power Dissipation                                 | P <sub>D</sub>   | 0.2        | W    |
| Junction Temperature                              | T <sub>J</sub>   | 150        | °C   |
| Storage Temperature                               | T <sub>STG</sub> | -65 ~ +150 | °C   |

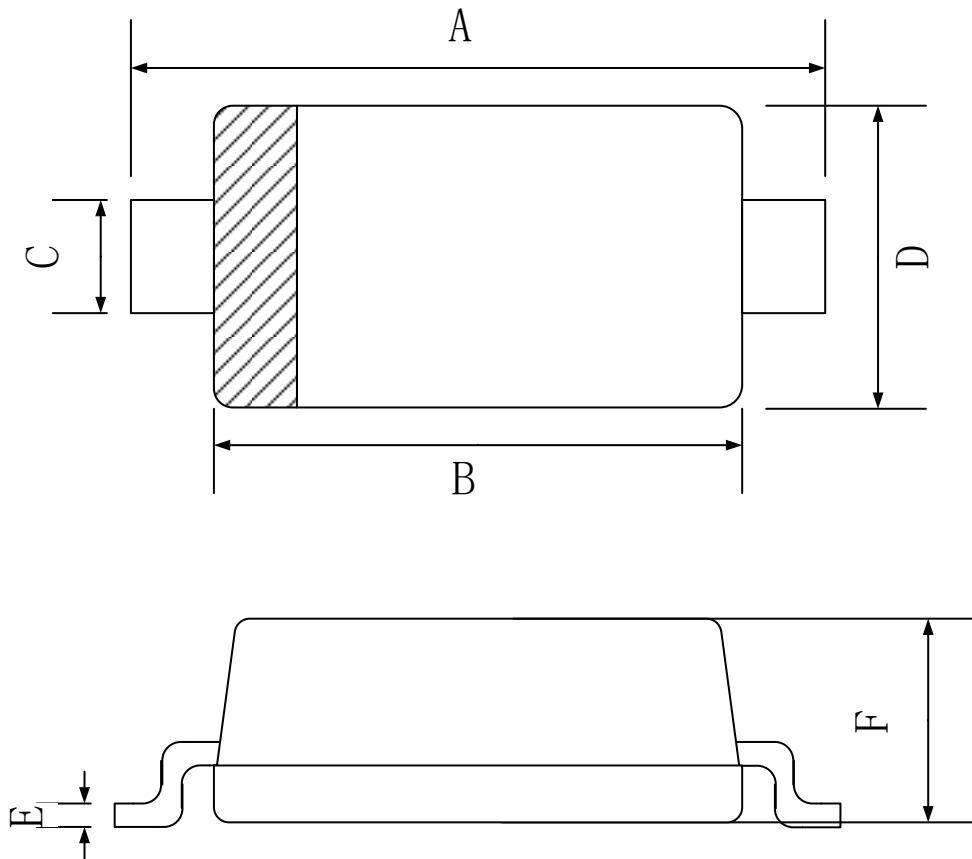
**ELECTRICAL CHARACTERISTICS (T<sub>a</sub>=25°C unless otherwise noted)**

| Parameter             | Symbol          | Test Condition   | Min | Type | Max   | Unit |
|-----------------------|-----------------|--|-----|------|-------|------|
| Reverse current       | I <sub>R</sub>  | V <sub>R</sub> =25V  |     |      | 30    | nA   |
|                       |                 | V <sub>R</sub> =25V, T <sub>j</sub> =150°C   |     |      | 30    | μA   |
|                       |                 | V <sub>R</sub> =75V  |     |      | 1     | μA   |
|                       |                 | V <sub>R</sub> =75V, T <sub>j</sub> =150°C   |     |      | 50    | μA   |
| Forward voltage       | V <sub>F</sub>  | I <sub>F</sub> =1mA  |     |      | 0.715 | V    |
|                       |                 | I <sub>F</sub> =10mA   |     |      | 0.855 | V    |
|                       |                 | I <sub>F</sub> =50mA   |     |      | 1     | V    |
|                       |                 | I <sub>F</sub> =150mA  |     |      | 1.25  | V    |
| Diode capacitance     | C <sub>D</sub>  | V <sub>R</sub> =0V, f=1MHz   |     |      | 1.5   | pF   |
| Reverse Recovery Time | t <sub>rr</sub> | I <sub>F</sub> = I <sub>R</sub> = 10 mA, I <sub>rr</sub> = 0.1 X I <sub>R</sub> , R <sub>L</sub> = 100 Ω |     |      | 4     | ns   |

**Typical Characteristics**



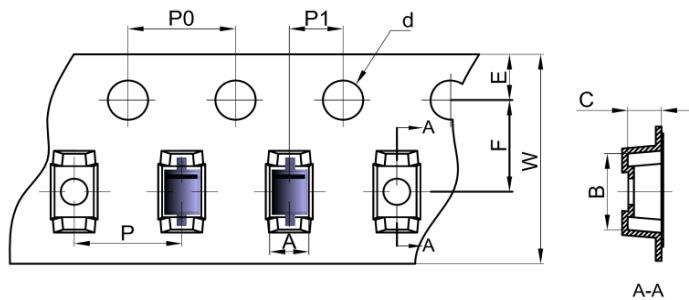
**SOD-323 Package Outline Dimensions**



| Symbol | Dimensions In Millimeters |       |       |
|--------|---------------------------|-------|-------|
|        | Min.                      | Typ.  | Max.  |
| A      | 2.30                      | 2.50  | 2.70  |
| B      | 1.60                      | 1.70  | 1.90  |
| C      | 0.25                      | 0.325 | 0.40  |
| D      | 1.15                      | 1.25  | 1.35  |
| E      | 0.089                     | 0.095 | 0.101 |
| F      | 0.80                      | 0.90  | 1.00  |

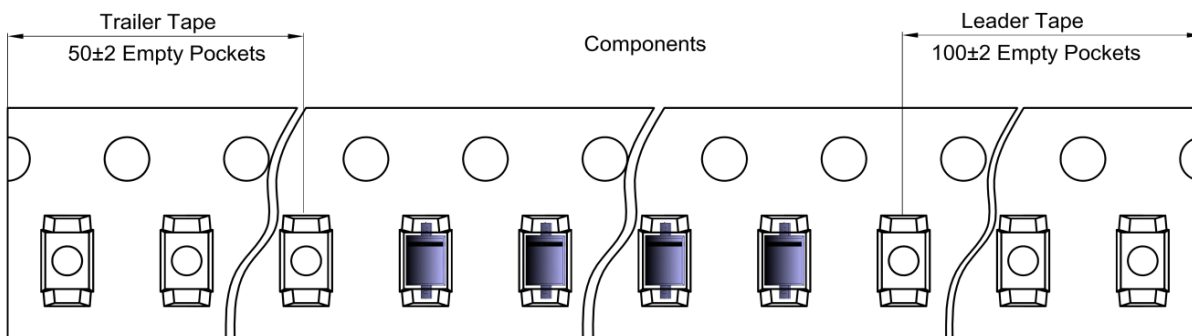
**SOD-323 Package Outline Dimensions**

**SOD-323 Embossed Carrier Tape**

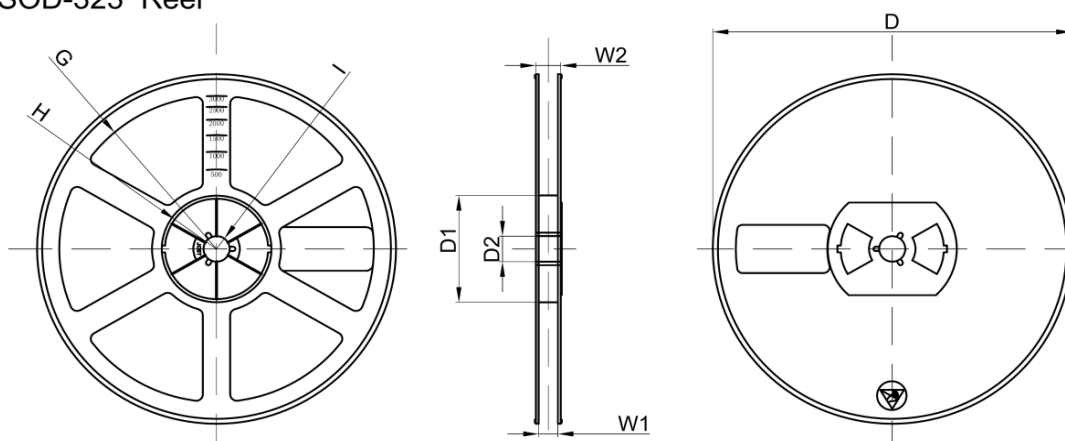


| Dimensions are in millimeter |      |     |      |       |      |      |      |      |      |      |
|------------------------------|------|-----|------|-------|------|------|------|------|------|------|
| Pkg type                     | A    | B   | C    | d     | E    | F    | P0   | P    | P1   | W    |
| SOD-323                      | 1.48 | 3.3 | 1.25 | Ø1.50 | 1.75 | 3.50 | 4.00 | 4.00 | 2.00 | 8.00 |

**SOD-323 Tape Leader and Trailer**



**SOD-323 Reel**



| Dimensions are in millimeter |         |       |       |        |        |       |      |       |
|------------------------------|---------|-------|-------|--------|--------|-------|------|-------|
| Reel Option                  | D       | D1    | D2    | G      | H      | I     | W1   | W2    |
| 7" Dia                       | Ø178.00 | 54.40 | 13.00 | R78.00 | R25.60 | R6.50 | 9.50 | 12.30 |

| REEL     | Reel Size | Box        | Box Size(mm) | Carton      | Carton Size(mm) | G.W.(kg) |
|----------|-----------|------------|--------------|-------------|-----------------|----------|
| 3000 pcs | 7 inch    | 45,000 pcs | 203×203×195  | 180,000 pcs | 438×438×220     |          |

单击下面可查看定价，库存，交付和生命周期等信息

[>>GP\(格瑞宝\)](#)