

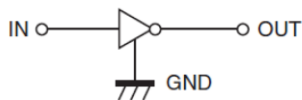
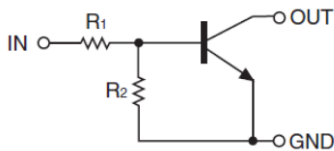


DTC143ZCA Digital Transistor

Feature

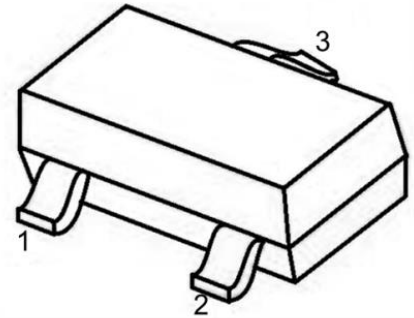
- Built-in bias resistors enable the configuration of an inverter circuit without connecting external input resistors
- The bias resistors consist of thin-film resistors with complete isolation to allow positive biasing of the input. They also have the advantage of almost completely eliminating parasitic effects
- Only the on/off conditions need to be set for operation, making device design easy

Schematic diagram



Marking: E23

SOT-23



1.IN 2.GND 3.OUT

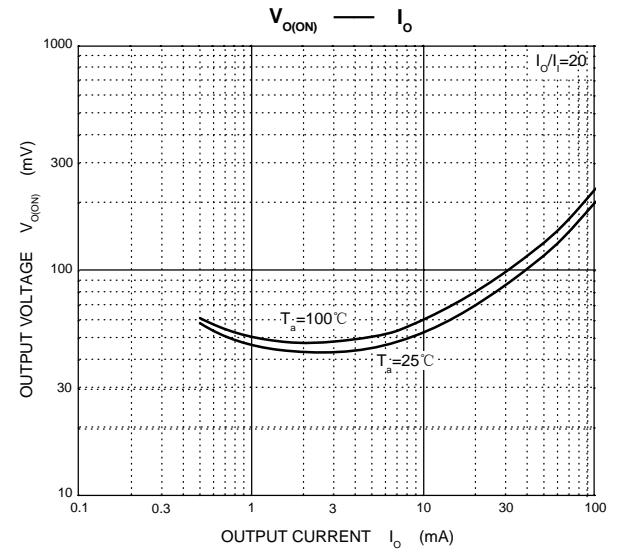
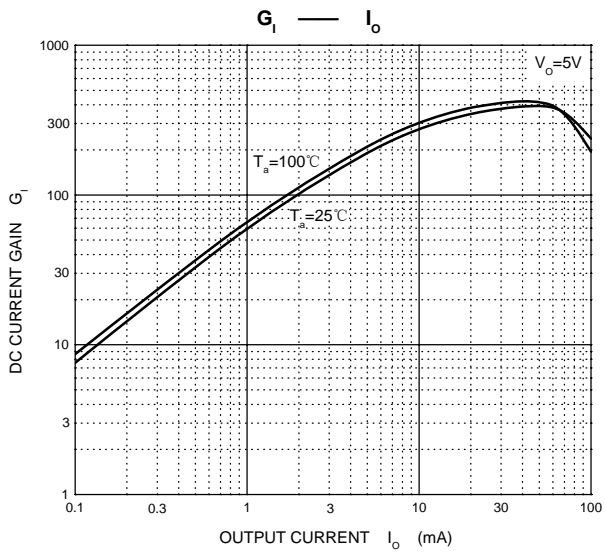
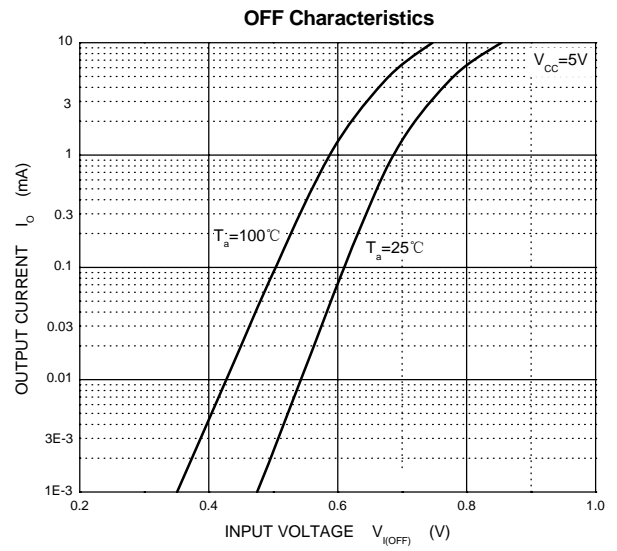
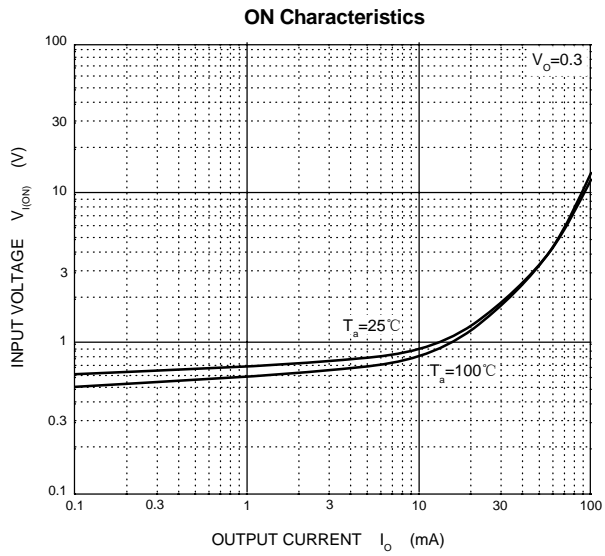
ABSOLUTE MAXIMUM RATINGS ($T_a=25^{\circ}\text{C}$ unless otherwise noted)

Parameter	Symbol	Value	Unit
Supply Voltage	V_{CC}	50	V
Input Voltage	V_{IN}	-5~+30	V
Output Current	I_o	100	mA
Power Dissipation	P_D	200	mW
Junction Temperature	T_J	150	$^{\circ}\text{C}$
Storage Temperature Range	T_{STG}	-55 ~ +150	$^{\circ}\text{C}$

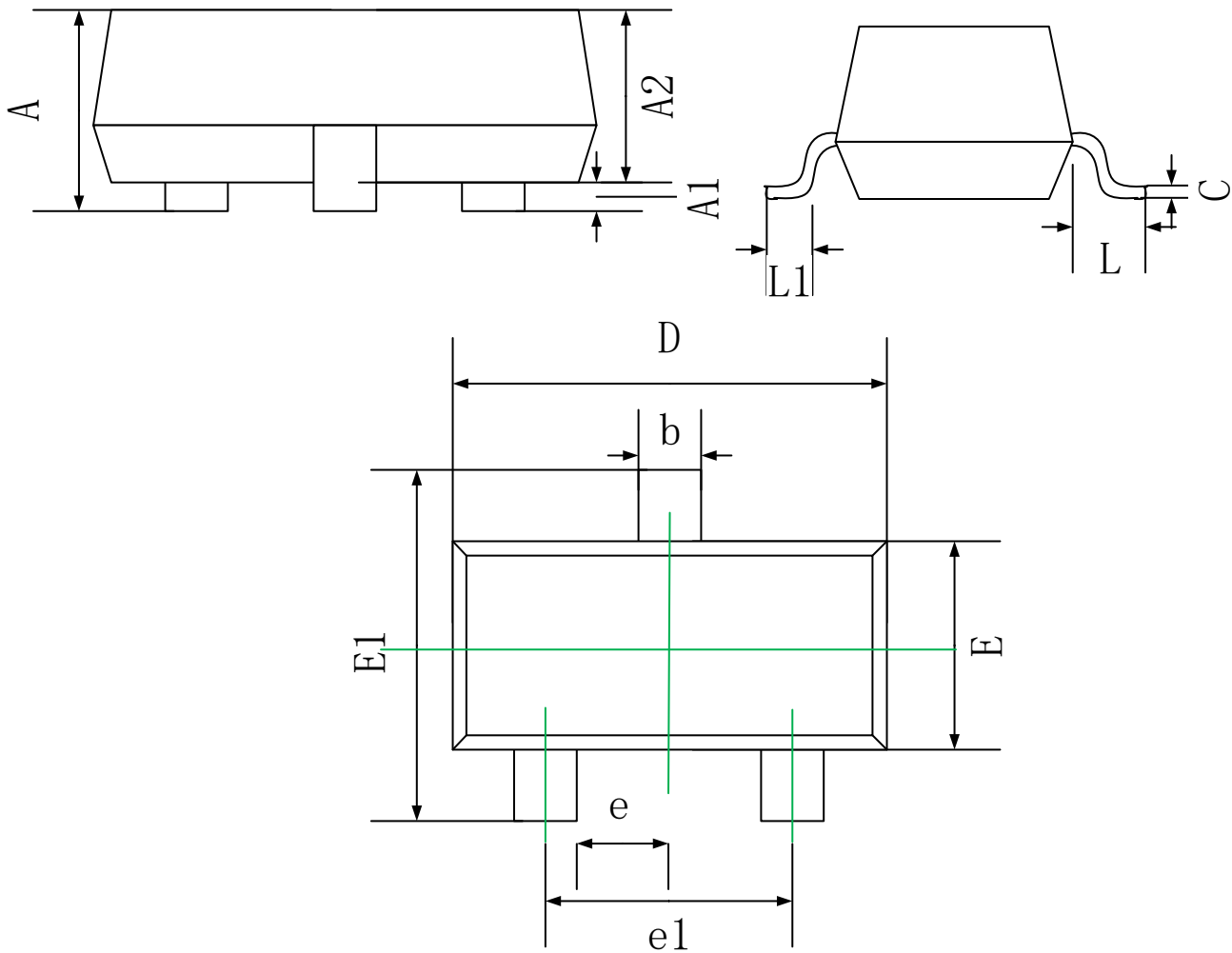
ELECTRICAL CHARACTERISTICS ($T_a=25^{\circ}\text{C}$ unless otherwise noted)

Parameter	Symbol	Test Condition	Min	Type	Max	Unit
Input voltage	$V_{I(off)}$	$V_{CC}=5V, I_o=100\mu A$	0.5			V
	$V_{I(on)}$	$V_o=0.3V, I_o=5mA$			1.3	V
Output voltage	$V_{O(on)}$	$I_o/I_i=5mA/0.25mA$		0.1	0.3	V
Input current	I_i	$V_i=5V$			1.8	mA
Output current	$I_{O(off)}$	$V_{CC}=50V, V_i=0V$			0.5	μA
DC current gain	G_i	$V_o=5V, I_o=10mA$	80			
Input resistance	R_1		3.29	4.7	6.11	k Ω
Resistance ratio	R_2/R_1		8	10	12	
Transition frequency	f_T	$V_o=10V, I_o=5mA, f=100MHz$		250		MHz

Typical Characteristics



SOT-23 Package Information



Symbol	Dimensions In Millimeters	
	Min.	Max.
A	0.90	1.15
A1	0.00	0.10
A2	0.90	1.05
b	0.30	0.50
c	0.08	0.15
D	2.80	3.00
E	1.20	1.40
E1	2.25	2.55
e	0.95 REF.	
e1	1.80	2.00
L	0.55 REF.	
L1	0.30	0.50

单击下面可查看定价，库存，交付和生命周期等信息

[>>GP\(格瑞宝\)](#)