



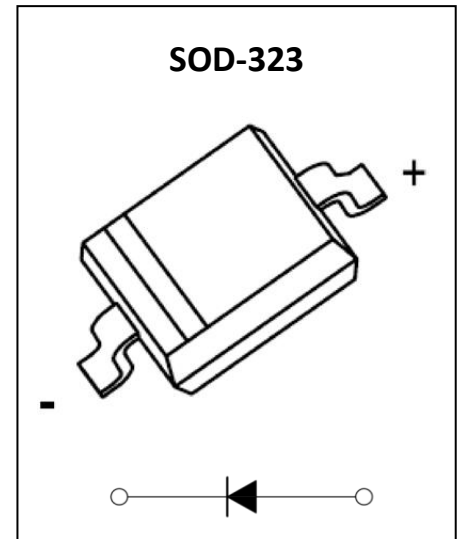
#### RB551V-30 Schottky Barrier Diode

##### Feature

- Small Power Mold Type
- Low VF
- Low IR
- High Reliability

##### Application

- High Frequency Inverters
- Free Wheeling
- Polarity Protection Applications



##### MARKING:



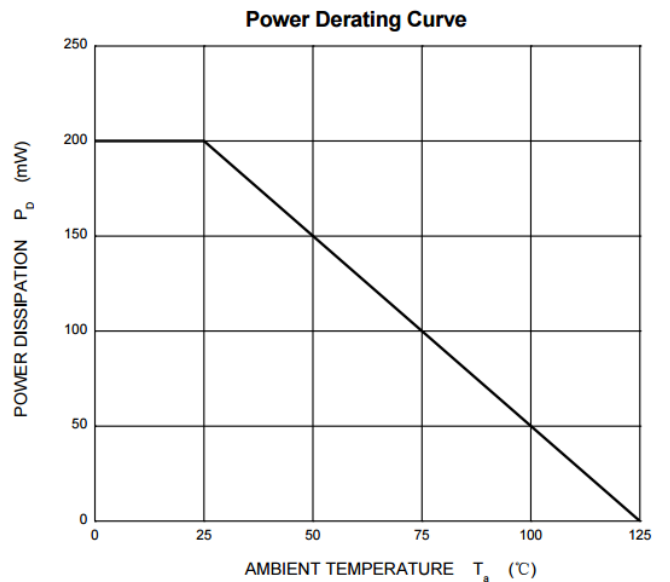
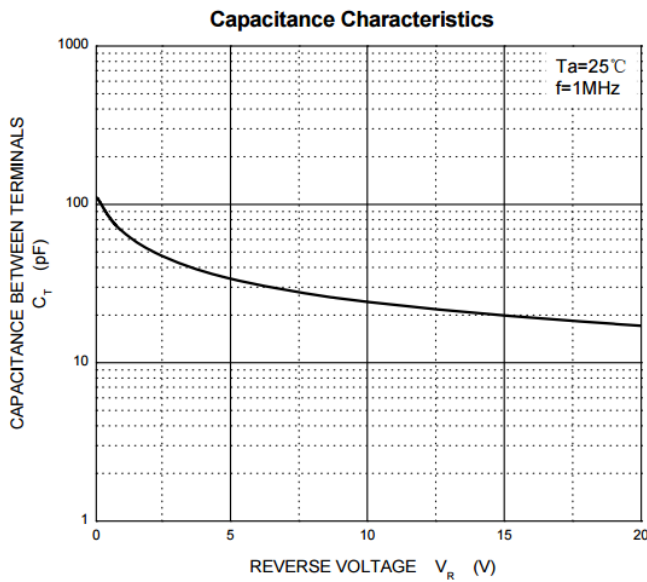
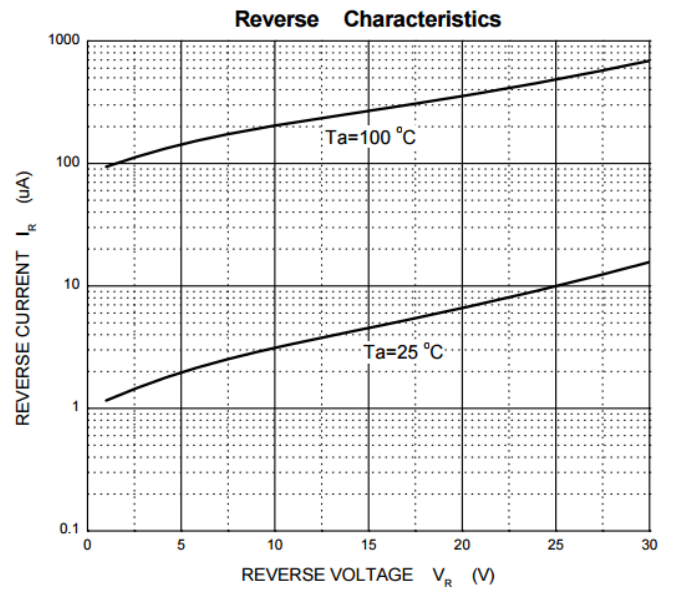
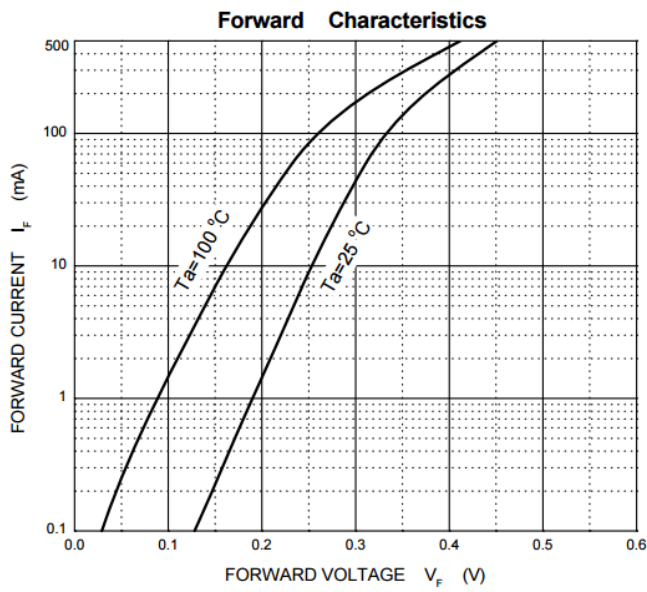
#### ABSOLUTE MAXIMUM RATINGS ( $T_a=25^\circ\text{C}$ unless otherwise noted)

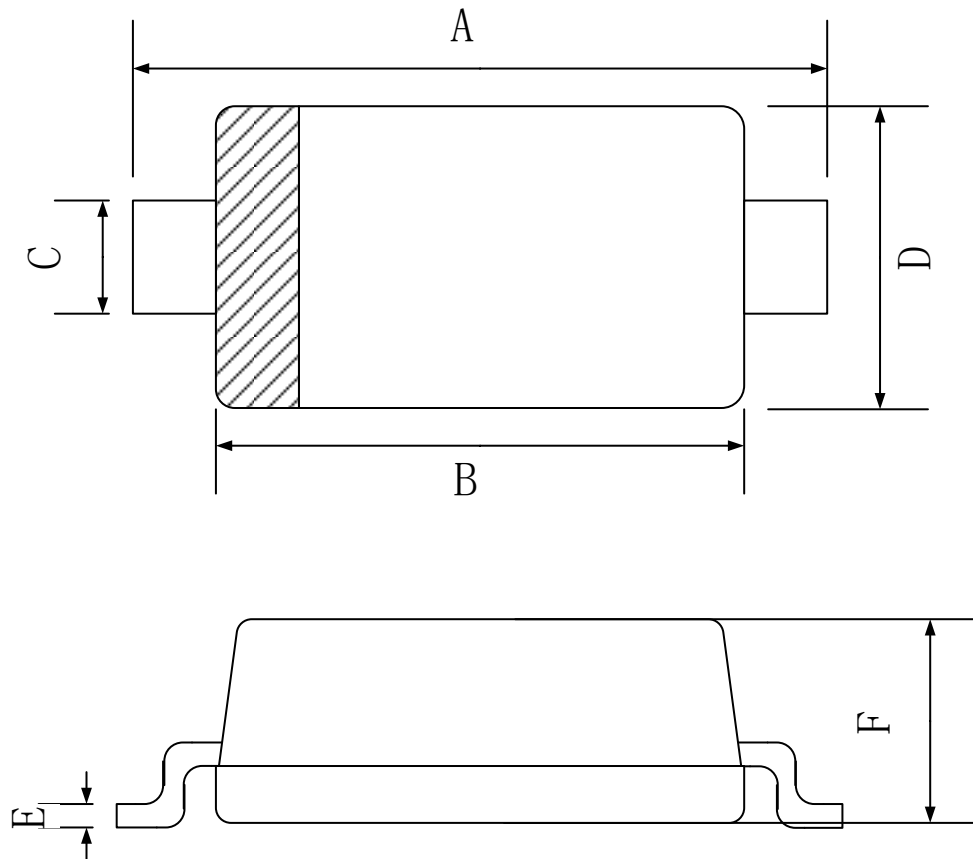
Parameter	Symbol	Value	Unit
DC reverse voltage	$V_R$	30	V
Mean rectifying current	$I_o$	0.5	A
Non-repetitive Peak Forward Surge Current @ $t=8.3\text{ms}$	$I_{FSM}$	2	A
Power Dissipation	$P_D$	0.2	W
Thermal Resistance from Junction to Ambient	$R_{\theta JA}$	500	$^\circ\text{C/W}$
Junction Temperature	$T_J$	125	$^\circ\text{C}$
Storage Temperature	$T_{STG}$	-55 ~ +150	$^\circ\text{C}$

#### ELECTRICAL CHARACTERISTICS ( $T_a=25^\circ\text{C}$ unless otherwise noted)

Parameter	Symbol	Test Condition	Min	Type	Max	Unit
Reverse voltage	$V_{BR}$	$I_R = 250\mu\text{A}$	30			V
Forward voltage	$V_F$	$I_F = 0.1\text{A}$			0.36	V
		$I_F = 0.5\text{A}$			0.47	V
Reverse current	$I_R$	$V_R = 20\text{V}$			100	$\mu\text{A}$
Diode capacitance	$C_D$	$V_R = 4\text{V}, f = 1\text{MHz}$		20		pF

**Typical Characteristics**



**SOD-323 Package Outline Dimensions**


Symbol	Dimensions In Millimeters		
	Min.	Typ.	Max.
A	2.30	2.50	2.70
B	1.60	1.70	1.90
C	0.25	0.325	0.40
D	1.15	1.25	1.35
E	0.089	0.095	0.101
F	0.80	0.90	1.00

单击下面可查看定价，库存，交付和生命周期等信息

[>>GP\(格瑞宝\)](#)