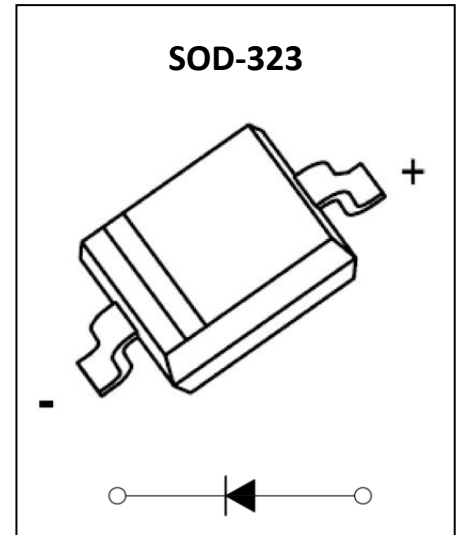


1N4148WS Fast Switching Diodes
Feature

- V_R 75V
- I_{FAV} 150mA

Application

- Extreme fast switches

MARKING:

ABSOLUTE MAXIMUM RATINGS ($T_a=25^\circ\text{C}$ unless otherwise noted)

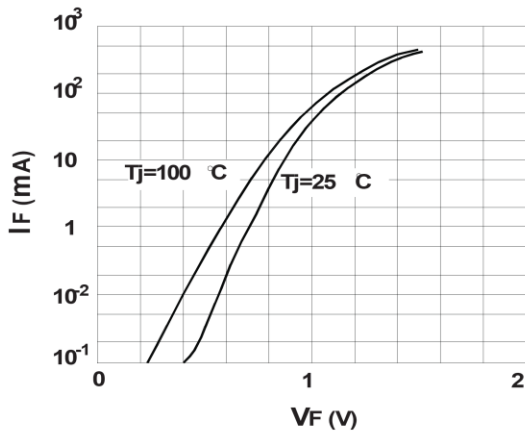
Parameter	Symbol	Value	Unit
Non-Repetitive Peak Reverse Voltage	V_{RSM}	100	V
Repetitive Peak Reverse Voltage	V_{RRM}	75	V
Mean rectifying current	I_o	0.15	A
Non-repetitive Peak Forward Surge Current @ $t=1\ \mu\text{s}$	I_{FSM}	2	A
Power Dissipation	P_D	0.2	W
Junction Temperature	T_J	125	$^\circ\text{C}$
Storage Temperature	T_{STG}	-55 ~ +150	$^\circ\text{C}$

ELECTRICAL CHARACTERISTICS ($T_a=25^\circ\text{C}$ unless otherwise noted)

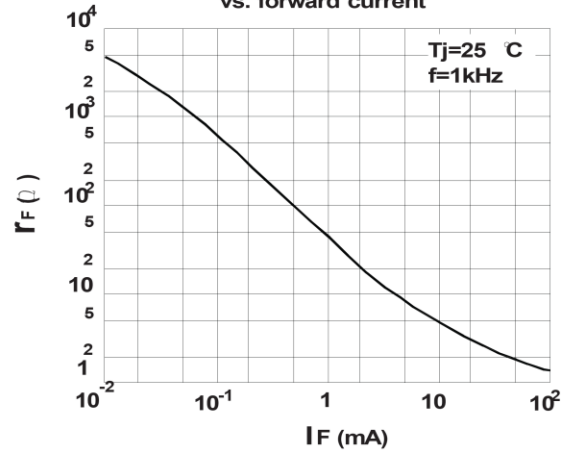
Parameter	Symbol	Test Condition	Min	Max	Unit
Forward voltage	V_F	$I_F = 1\text{mA}$		0.715	V
		$I_F = 10\text{mA}$		0.855	V
		$I_F = 50\text{mA}$		1.0	V
		$I_F = 150\text{mA}$		1.25	V
Reverse current	I_R	$V_R = 20\text{V}$		25	nA
		$V_R = 75\text{V}$		1	μA
Diode capacitance	C_D	$V_R = 4\text{V}, f = 1\text{MHz}$		2	pF
Reverse Recovery Time	t_{rr}	$I_F = I_R = 10\text{mA}, I_{rr} = 0.1 * I_R, RL = 100\Omega$		4	ns

Typical Electrical and Thermal Characteristics

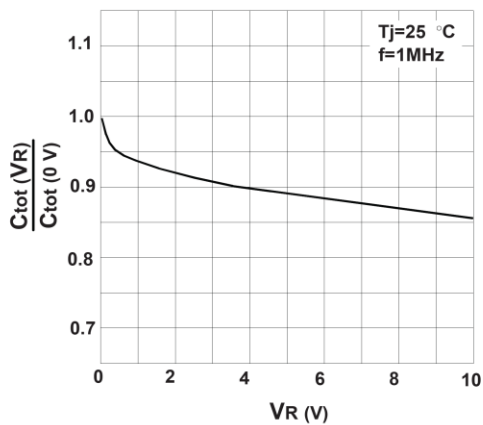
Forward characteristics



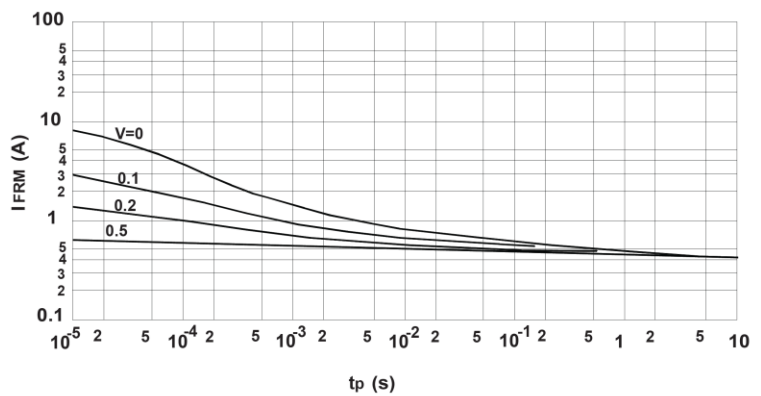
Dynamic forward resistance vs. forward current

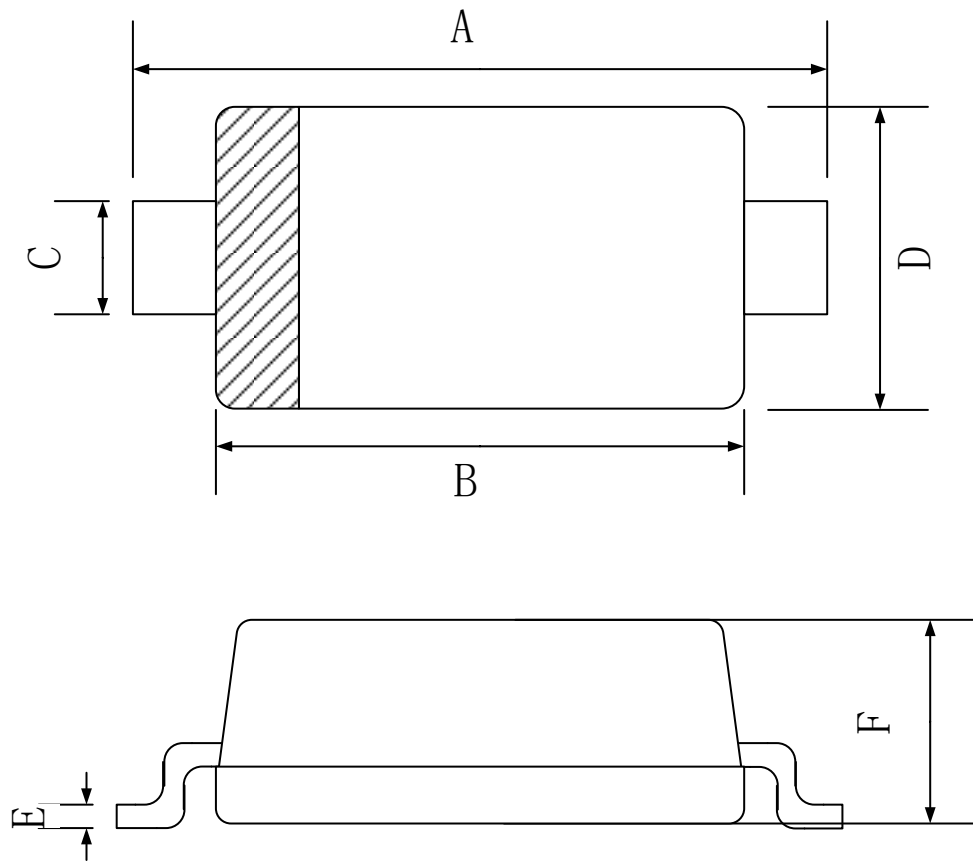


Reverse capacitance vs. reverse voltage



Ammissible repetitive peak forward current vs. pulse duration



SOD-323 Package Outline Dimensions


Symbol	Dimensions In Millimeters		
	Min.	Typ.	Max.
A	2.30	2.50	2.70
B	1.60	1.70	1.90
C	0.25	0.325	0.40
D	1.15	1.25	1.35
E	0.089	0.095	0.101
F	0.80	0.90	1.00

单击下面可查看定价，库存，交付和生命周期等信息

[>>GP\(格瑞宝\)](#)