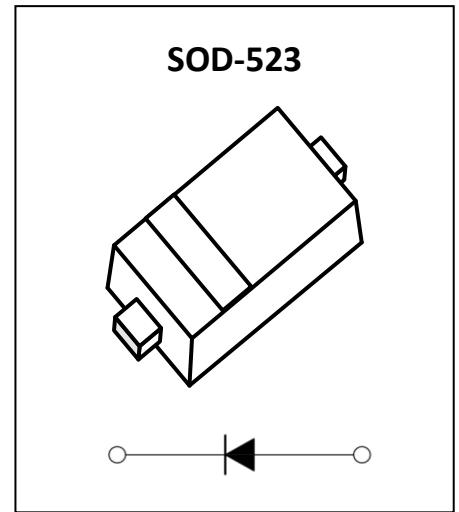


RB520S-30 Schottky Barrier Diode

Feature

- Small surface mounting type
- Low IR
- High Reliability

MARKING:



ABSOLUTE MAXIMUM RATINGS (T_a=25°C unless otherwise noted)

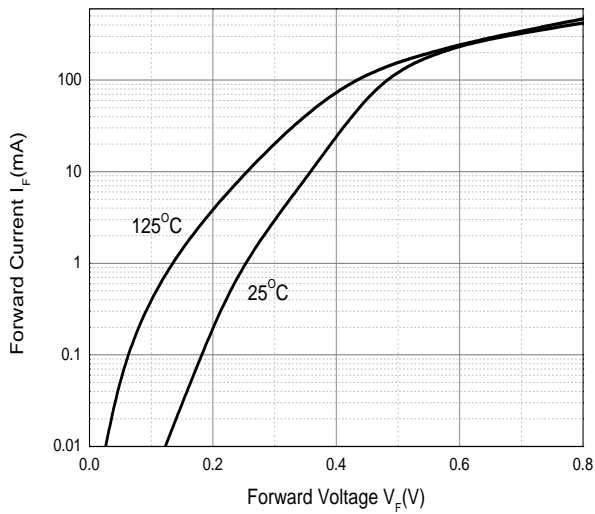
Parameter	Symbol	Value	Unit
DC reverse voltage	V _R	30	V
Mean rectifying current	I _O	0.2	A
Non-repetitive Peak Forward Surge Current @ t=8.3ms	I _{FSM}	1	A
Power Dissipation	P _D	0.15	W
Thermal Resistance from Junction to Ambient	R _{θJA}	667	°C/W
Junction Temperature	T _J	125	°C
Storage Temperature Range	T _{STG}	-55 ~ +150	°C

ELECTRICAL CHARACTERISTICS (T_a=25°C unless otherwise noted)

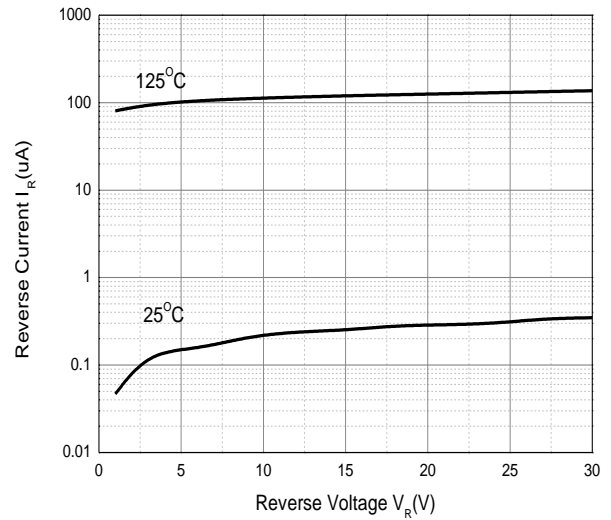
Parameter	Symbol	Test Condition	Min	Type	Max	Unit
Reverse voltage	V _{BR}	I _R = 100μA	30			V
Forward voltage	V _F	I _F = 10mA			0.45	V
		I _F = 200mA			0.6	V
Reverse current	I _R	V _R = 10V			1	μA

Typical Characteristics

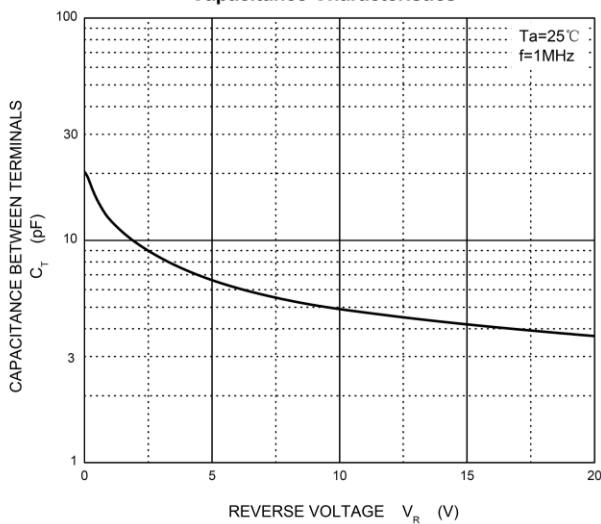
Forward Characteristics



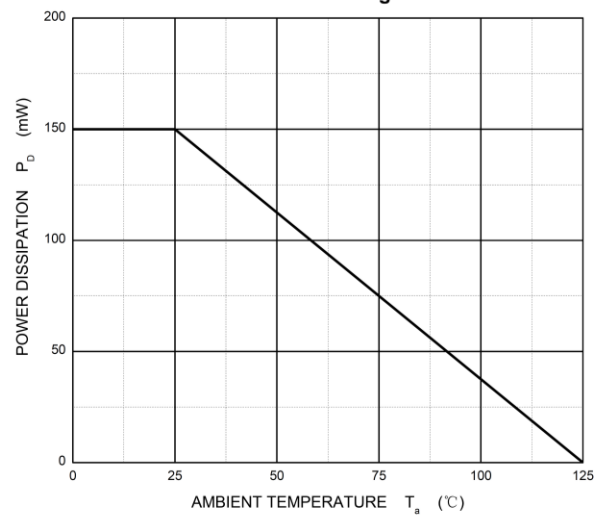
Reverse Characteristics

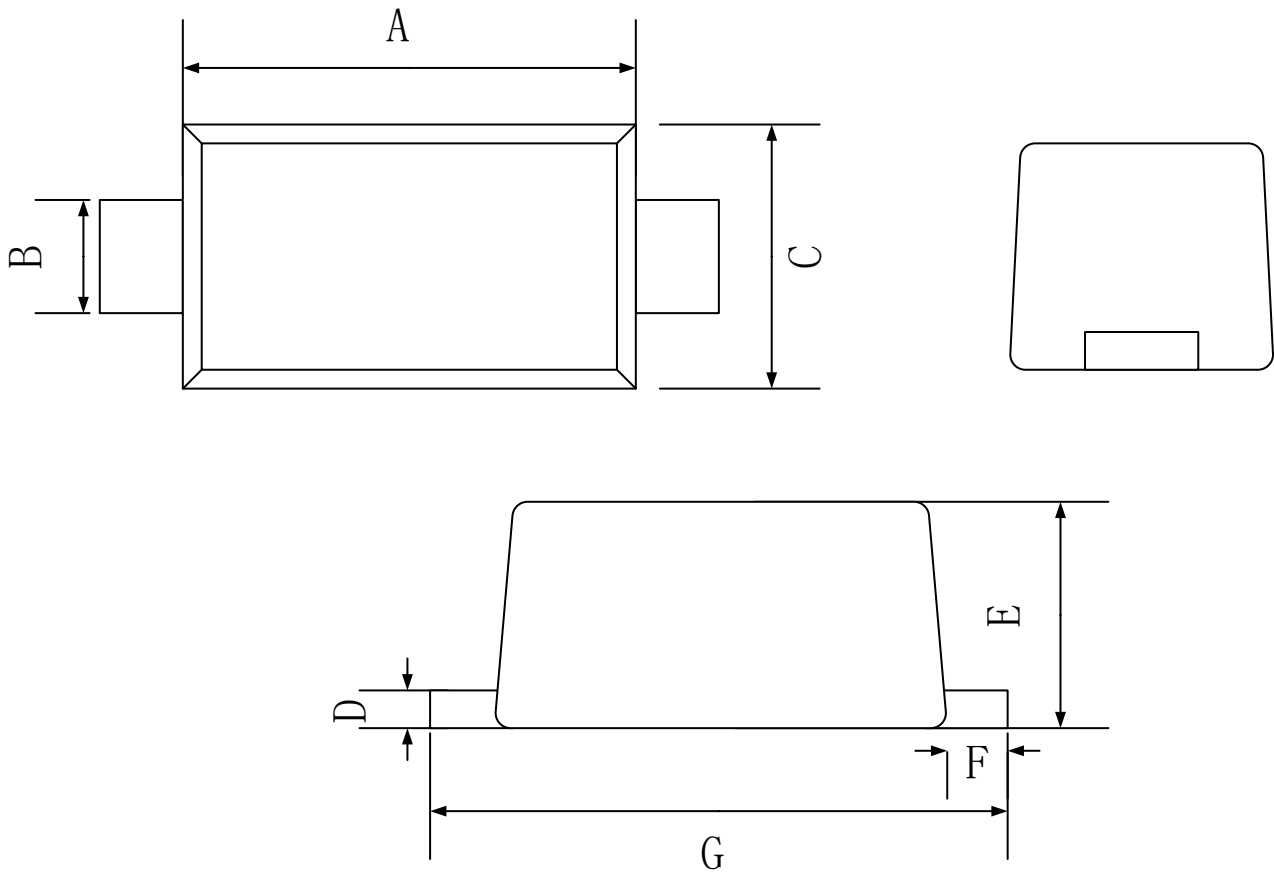


Capacitance Characteristics



Power Derating Curve



SOD-523 Package Outline Dimensions


Symbol	Dimensions In Millimeters		
	Min.	Typ.	Max.
A	1.10	1.20	1.30
B	0.25	0.30	0.35
C	0.75	0.80	0.85
D	0.08	0.10	0.15
E	0.45	0.65	0.70
F	0.20 REF		
G	1.50	1.60	1.70

单击下面可查看定价，库存，交付和生命周期等信息

[>>GP\(格瑞宝\)](#)