

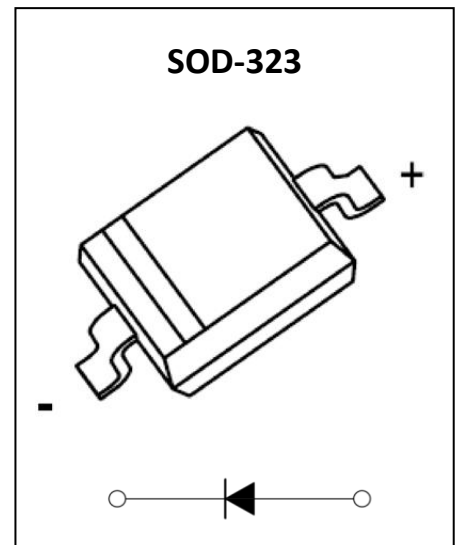


BAT46WS Schottky Barrier Diode

Feature

- Extremely Fast Switch Speed
- Low Forward Voltage

MARKING:



ABSOLUTE MAXIMUM RATINGS ($T_a=25^{\circ}\text{C}$ unless otherwise noted)

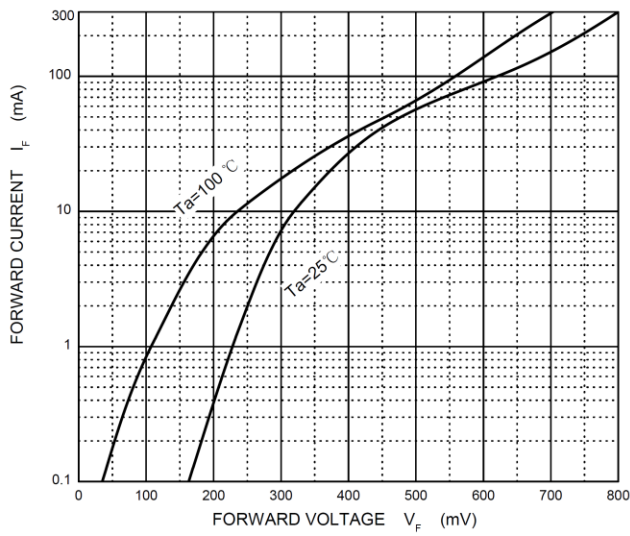
| Parameter | Symbol | Value | Unit |
|--|-----------------|------------|-----------------------------|
| DC reverse voltage | V_R | 100 | V |
| Mean rectifying current | I_o | 0.15 | A |
| Non-repetitive Peak Forward Surge Current @ $t=8.3\text{ms}$ | I_{FSM} | 0.75 | A |
| Power Dissipation | P_D | 0.20 | W |
| Thermal Resistance from Junction to Ambient | $R_{\theta JA}$ | 500 | $^{\circ}\text{C}/\text{W}$ |
| Junction Temperature | T_J | 125 | $^{\circ}\text{C}$ |
| Storage Temperature Range | T_{STG} | -55 ~ +150 | $^{\circ}\text{C}$ |

ELECTRICAL CHARACTERISTICS ($T_a=25^{\circ}\text{C}$ unless otherwise noted)

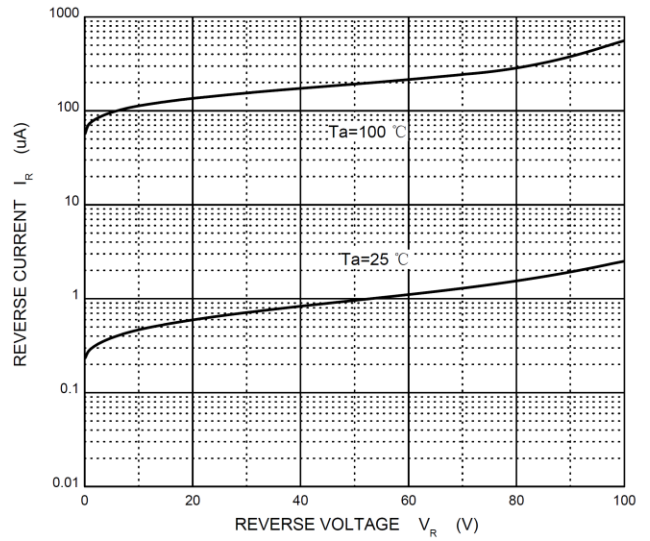
| Parameter | Symbol | Test Condition | Min | Type | Max | Unit |
|-------------------------------|------------|--------------------------------|-----|------|------|---------------|
| Reverse breakdown voltage | $V_{(BR)}$ | $I_R=100\mu\text{A}$ | 100 | | | V |
| Forward voltage | V_{F1} | $I_F=0.1\text{mA}$ | | | 0.25 | V |
| | | $I_F=10\text{mA}$ | | | 0.45 | |
| | | $I_F=250\text{mA}$ | | | 1 | |
| Reverse current | I_R | $V_R=1.5\text{V}$ | | | 0.3 | μA |
| | | $V_R=10\text{V}$ | | | 0.5 | |
| | | $V_R=50\text{V}$ | | | 1 | |
| | | $V_R=75\text{V}$ | | | 2 | |
| Capacitance between terminals | C_T | $V_R=0\text{V}, f=1\text{MHz}$ | | 20 | | pF |
| | | $V_R=1\text{V}, f=1\text{MHz}$ | | 12 | | |

Typical Characteristics

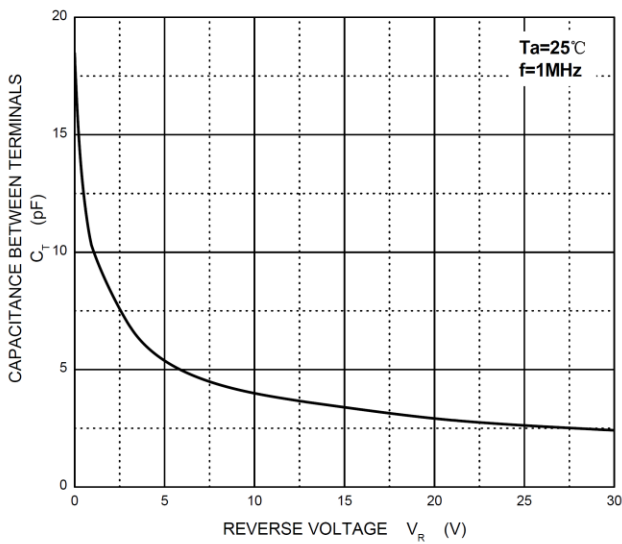
Forward Characteristics



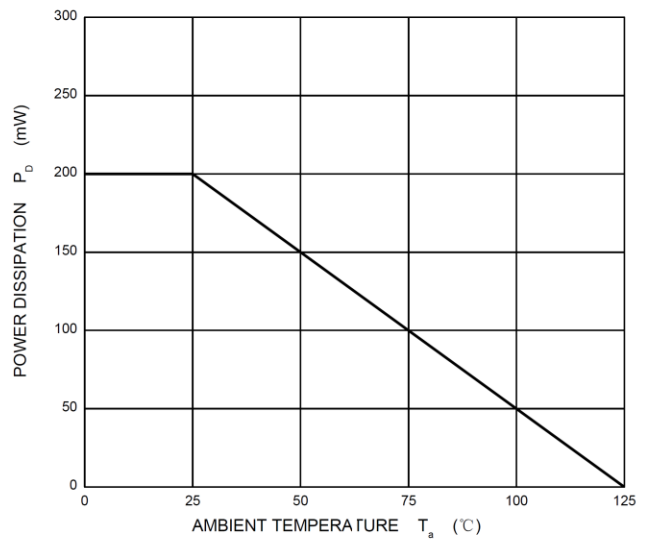
Reverse Characteristics



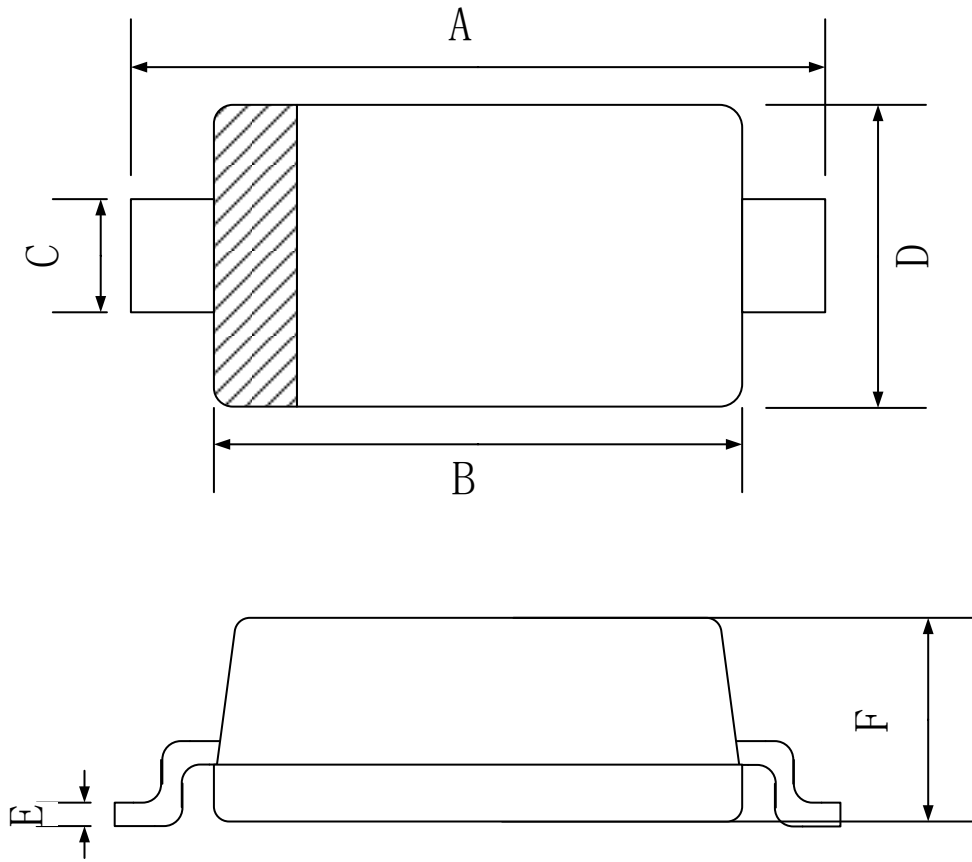
Capacitance Characteristics



Power Derating Curve



SOD-323 Package Outline Dimensions



| Symbol | Dimensions In Millimeters | | |
|--------|---------------------------|---|-------|
| | Min. | | Min. |
| A | 2.30 | A | 2.30 |
| B | 1.60 | B | 1.60 |
| C | 0.25 | C | 0.25 |
| D | 1.15 | D | 1.15 |
| E | 0.089 | E | 0.089 |
| F | 0.80 | F | 0.80 |

单击下面可查看定价，库存，交付和生命周期等信息

[>>GP\(格瑞宝\)](#)