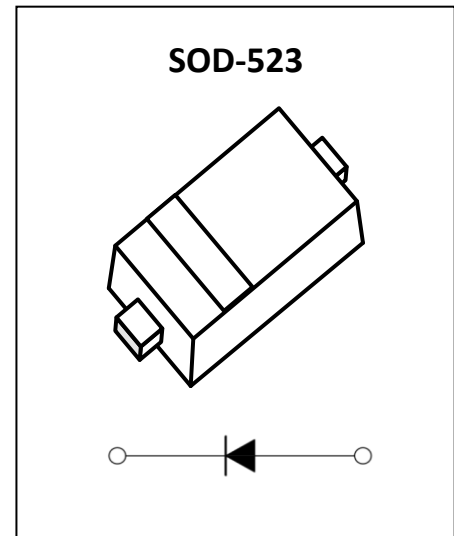


1N4148WT Fast Switching Diodes
Feature

- V_R 75V
- I_{FAV} 150mA

Application

- Extreme fast switches

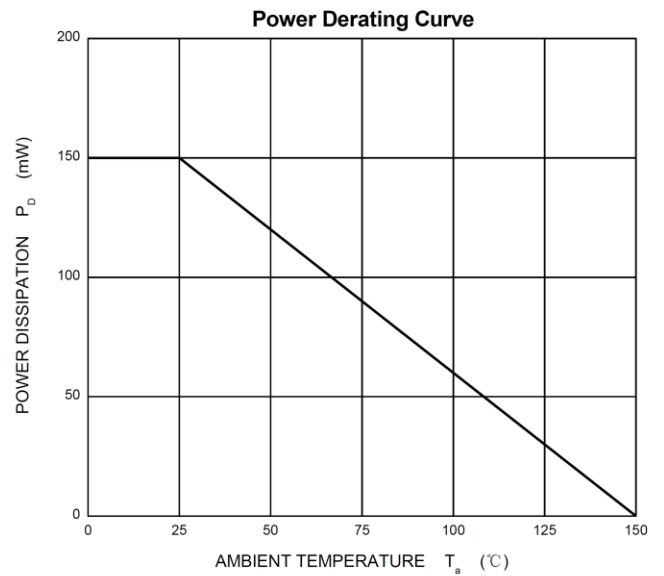
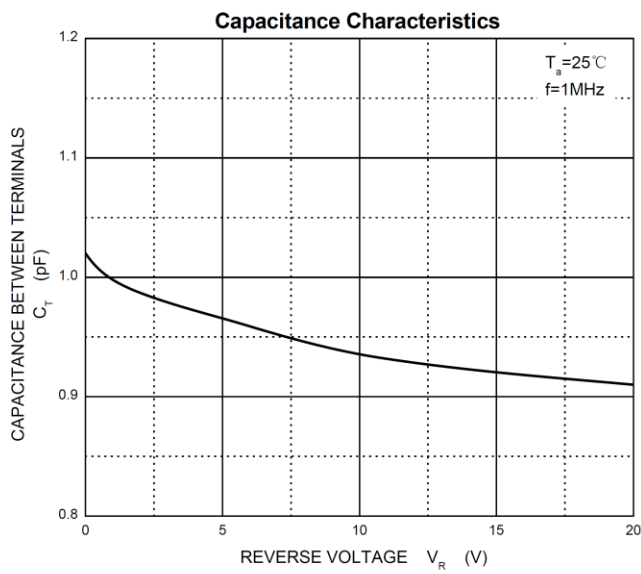
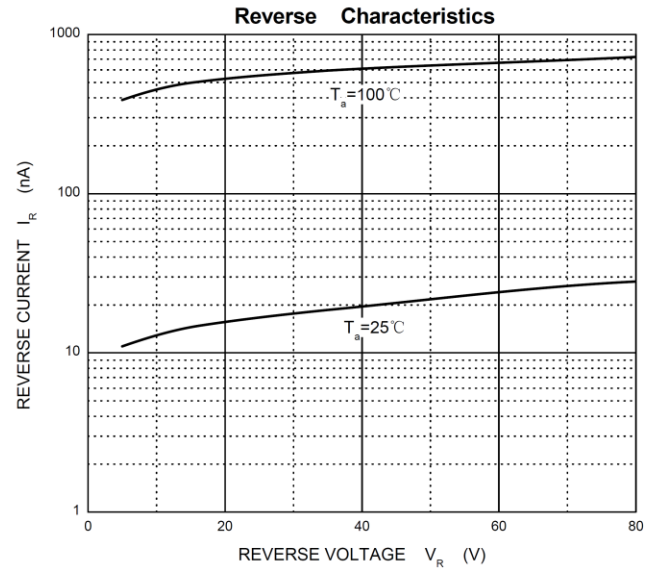
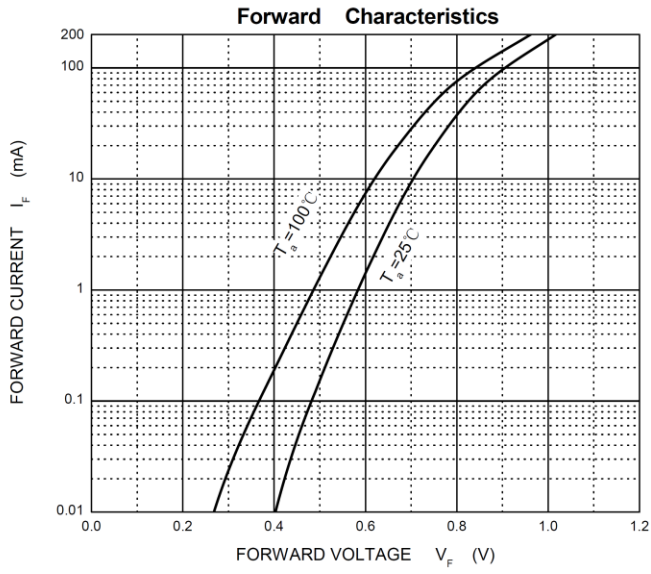
MARKING:

ABSOLUTE MAXIMUM RATINGS ($T_a=25^\circ\text{C}$ unless otherwise noted)

Parameter	Symbol	Value	Unit
Non-Repetitive Peak Reverse Voltage	V_{RSM}	100	V
Repetitive Peak Reverse Voltage	V_{RRM}	75	V
Average rectified output current	I_o	0.15	A
Forward continuous current	I_{FM}	0.30	A
Non-repetitive Peak Forward Surge Current @ $t=8.3$ ms	I_{FSM}	2	A
Power Dissipation	P_D	0.15	W
Junction Temperature	T_J	150	$^\circ\text{C}$
Storage Temperature	T_{STG}	-65 ~ +150	$^\circ\text{C}$

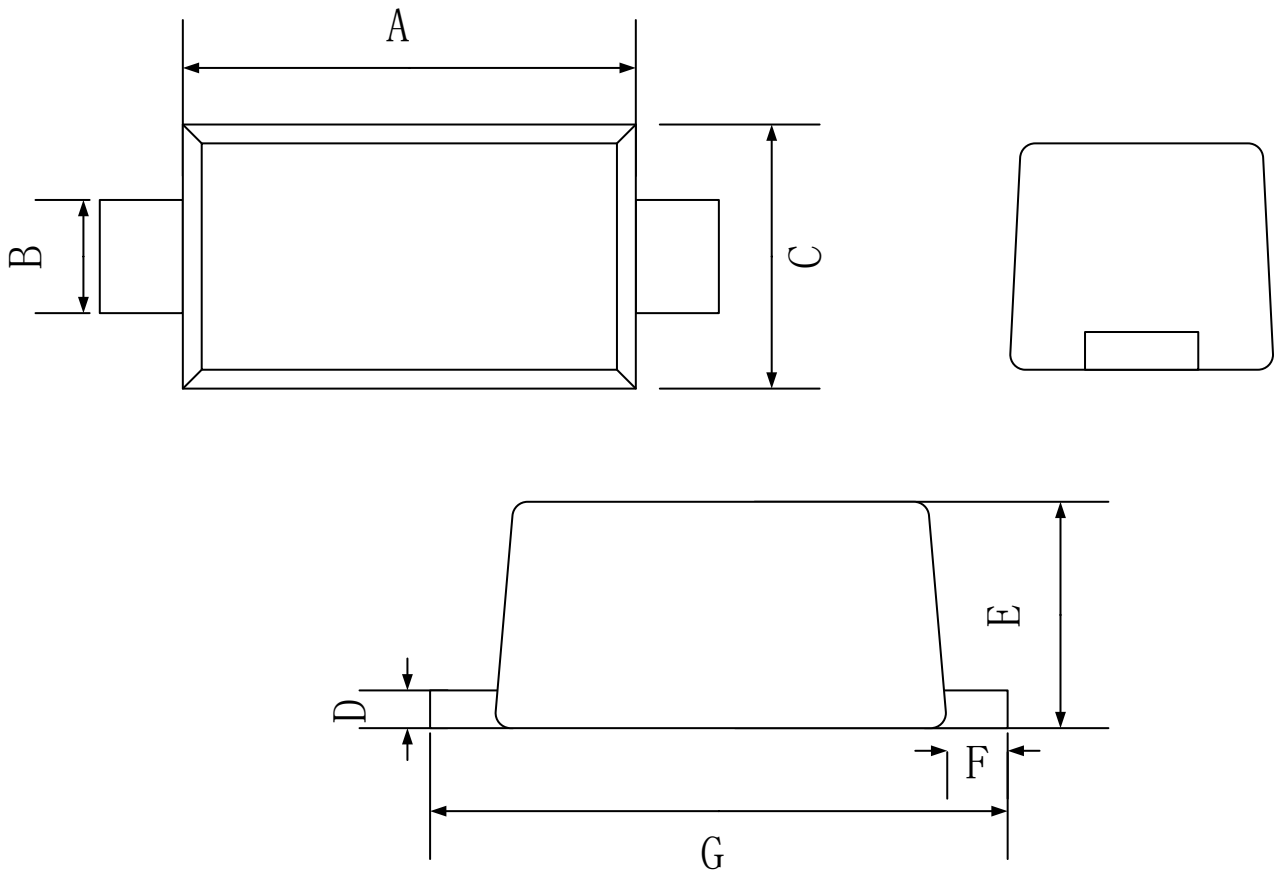
ELECTRICAL CHARACTERISTICS ($T_a=25^\circ\text{C}$ unless otherwise noted)

Parameter	Symbol	Test Condition	Min	Max	Unit
Forward voltage	V_F	$I_F = 1\text{mA}$		0.715	V
		$I_F = 10\text{mA}$		0.855	V
		$I_F = 50\text{mA}$		1.0	V
		$I_F = 150\text{mA}$		1.25	V
Reverse current	I_R	$V_R = 20\text{V}$		25	nA
		$V_R = 75\text{V}$		1	μA
Diode capacitance	C_D	$V_R = 0\text{V}$, $f = 1\text{MHz}$		2	pF
Reverse Recovery Time	t_{rr}	$I_F = I_R = 10\text{mA}$, $I_{rr} = 0.1 * I_R$, $R_L = 100\Omega$		4	ns

Typical Electrical and Thermal Characteristics



SOD-523 Package Outline Dimensions



Symbol	Dimensions In Millimeters		
	Min.	Typ.	Max.
A	1.10	1.20	1.30
B	0.25	0.30	0.35
C	0.75	0.80	0.85
D	0.08	0.10	0.15
E	0.45	0.65	0.70
F	0.20 REF		
G	1.50	1.60	1.70

单击下面可查看定价，库存，交付和生命周期等信息

[>>GP\(格瑞宝\)](#)