

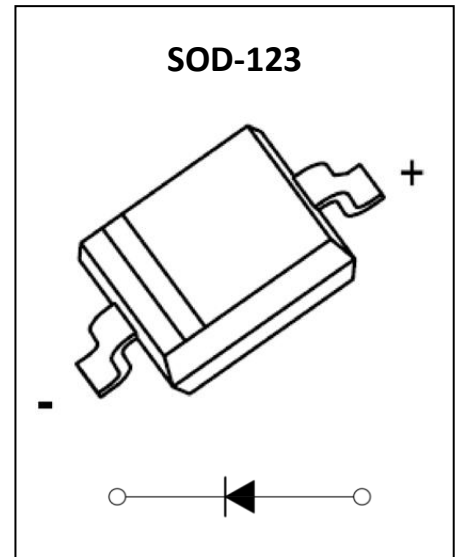
**B0540W Schottky Barrier Diode**

**Feature**

- Small Power Mold Type
- Low VF
- Low IR
- High Reliability

**Application**

- High Frequency Inverters
- Free Wheeling
- Polarity Protection Applications



**MARKING:**



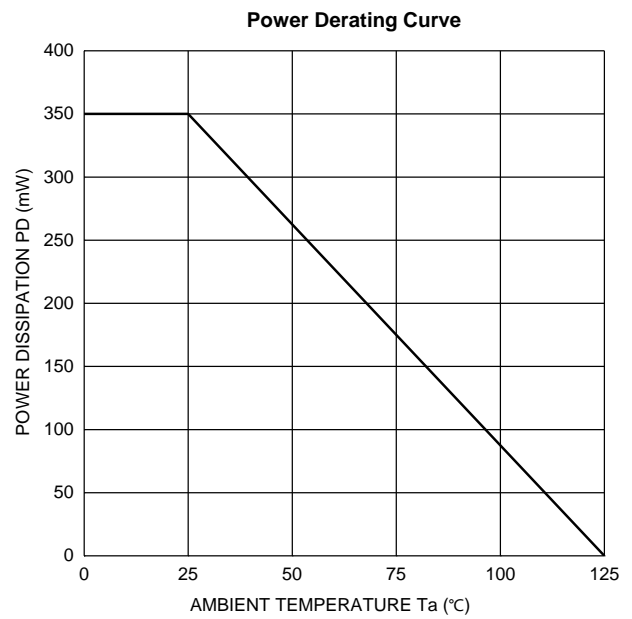
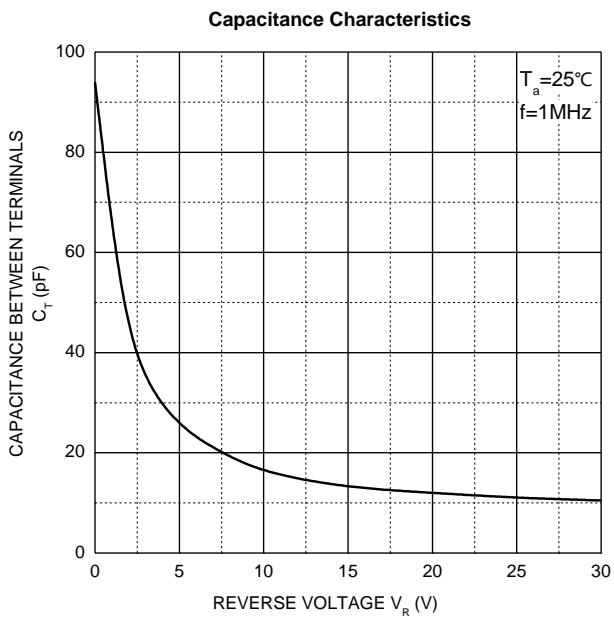
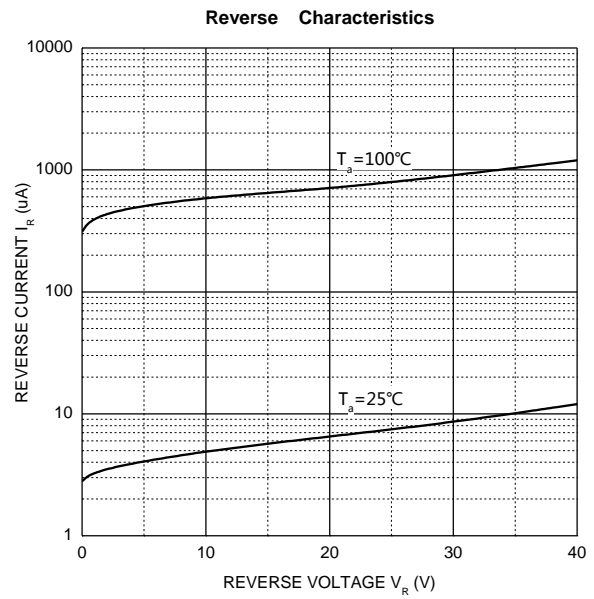
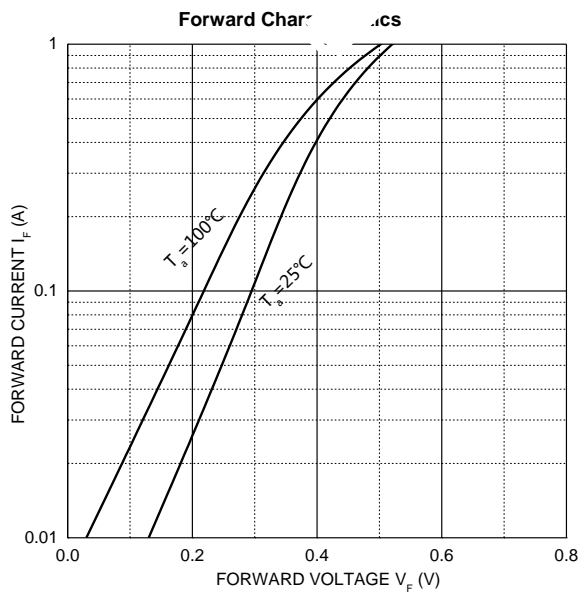
**ABSOLUTE MAXIMUM RATINGS (T<sub>a</sub>=25°C unless otherwise noted)**

Parameter	Symbol	Value	Unit
DC reverse voltage	V <sub>R</sub>	40	V
Mean rectifying current	I <sub>o</sub>	0.5	A
Non-repetitive Peak Forward Surge Current @ t=8.3ms	I <sub>FSM</sub>	9	A
Power Dissipation	P <sub>D</sub>	0.35	W
Thermal Resistance from Junction to Ambient	R <sub>θJA</sub>	285	°C/W
Junction Temperature	T <sub>J</sub>	125	°C
Storage Temperature	T <sub>STG</sub>	-55 ~ +150	°C

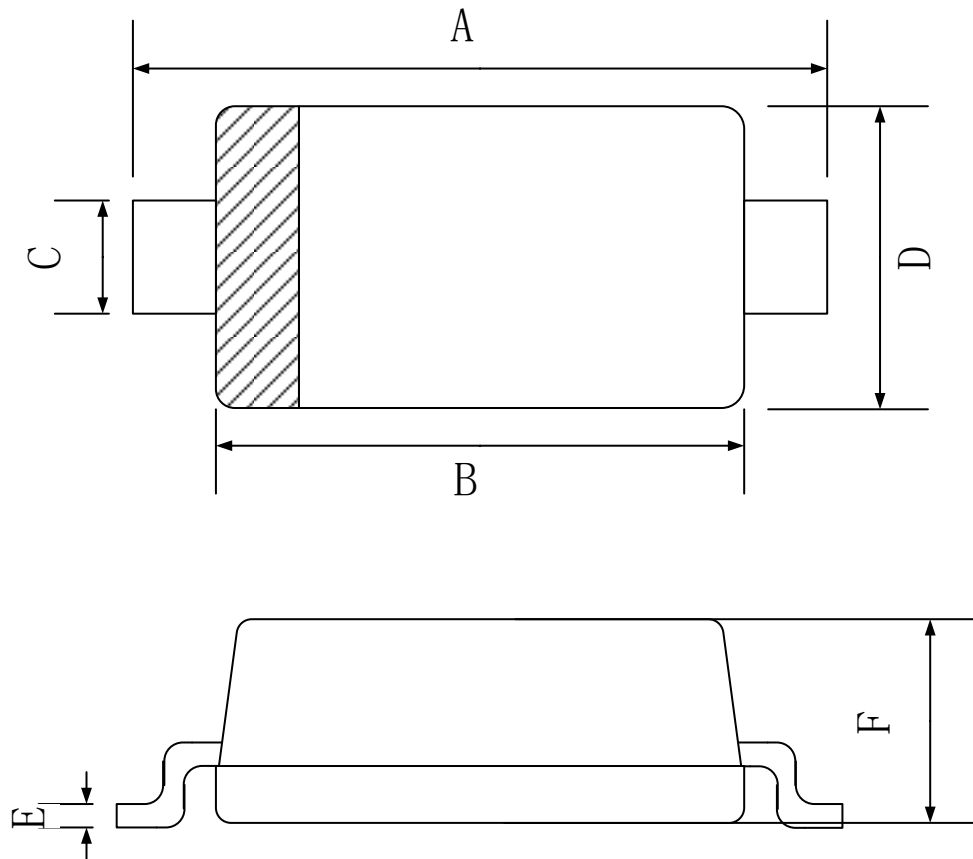
**ELECTRICAL CHARACTERISTICS (T<sub>a</sub>=25°C unless otherwise noted)**

Parameter	Symbol	Test Condition	Min	Type	Max	Unit
Reverse voltage	V <sub>BR</sub>	I <sub>R</sub> = 20μA	40			V
Forward voltage	V <sub>F</sub>	I <sub>F</sub> = 0.5A	0	0.42	0.51	V
		I <sub>F</sub> = 1.0A	0	0.52	0.62	V
Reverse current	I <sub>R</sub>	V <sub>R</sub> = 20V		4	10	μA
		V <sub>R</sub> = 40V		8	20	μA
Diode capacitance	C <sub>D</sub>	V <sub>R</sub> = 4V, f = 1MHz		30	170	pF

**Typical Characteristics**



## SOD-123 Package Outline Dimensions



Symbol	Dimensions In Millimeters		
	Min.	Typ.	Max.
A	3.45	3.65	3.85
B	2.55	2.65	2.75
C	0.45	0.55	0.65
D	1.50	1.60	1.70
E	0.09	0.105	0.12
F	0.95	1.15	1.35

单击下面可查看定价，库存，交付和生命周期等信息

[>>GP\(格瑞宝\)](#)