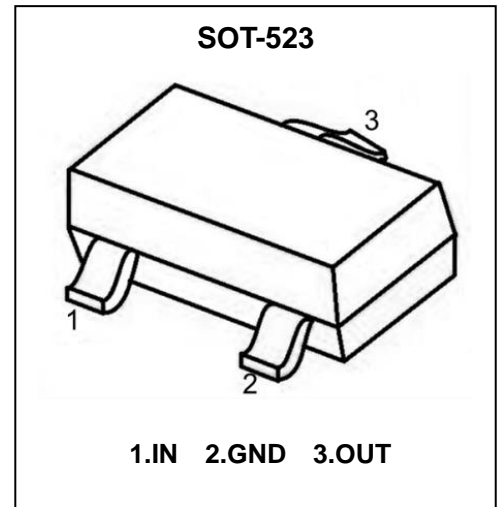
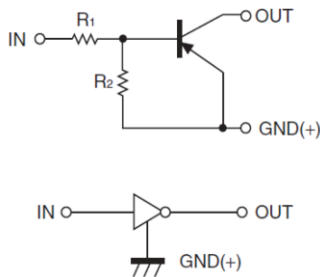


DTA143XE Digital Transistor(PNP)

Feature

- Built-in bias resistors enable the configuration of an inverter circuit without connecting external input resistors
- The bias resistors consist of thin-film resistors with complete isolation to allow positive biasing of the input .They also have the advantage of almost completely eliminating parasitic effects
- Only the on/off conditions need to be set for operation, making device design easy

Schematic diagram



ABSOLUTE MAXIMUM RATINGS (T_a=25°C unless otherwise noted)

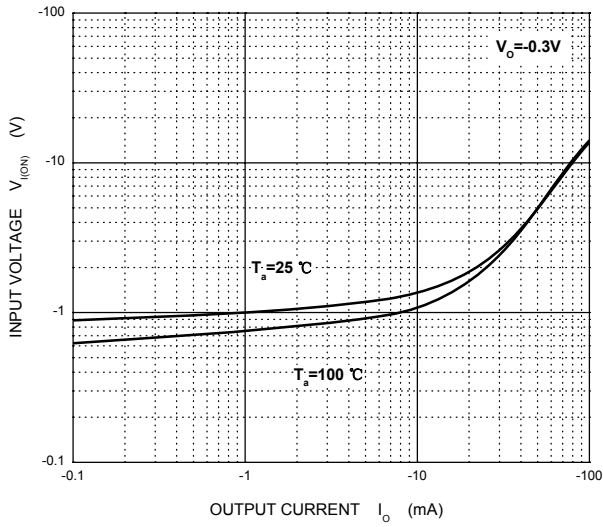
Parameter	Symbol	Value	Unit
Supply Voltage	V _{CC}	-50	V
Input Voltage	V _{IN}	-20~+7	V
Output Current	I _O	-100	mA
Power Dissipation	P _D	150	mW
Junction Temperature	T _J	125	°C
Storage Temperature Range	T _{STG}	-45 ~ +125	°C

ELECTRICAL CHARACTERISTICS (T_a=25°C unless otherwise noted)

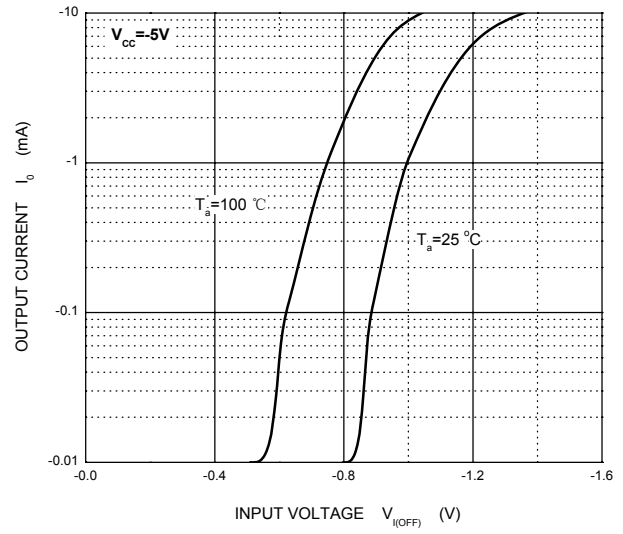
Parameter	Symbol	Test Condition	Min	Type	Max	Unit
Input voltage	V _{I(off)}	V _{CC} =-5V , I _O =-100μA	-0.3			V
	V _{I(on)}	V _O =0.3V , I _O =-20mA			-2.5	V
Output voltage	V _{O(on)}	I _O =-10mA , I _I =-0.5mA			-0.3	V
Output current	I _{O(off)}	V _{CC} =-50V , V _I =0V			-0.5	μA
DC current gain	G _I	V _O =-5V , I _O =-10mA	30			
Input resistance	R ₁		3.29	4.7	6.11	kΩ
Resistance ratio	R ₂ / R ₁		1.7	2.1	2	
Transition frequency	f _T	V _O =-10V, I _O =-5mA, f=1MHz		250		MHz

Typical Characteristics

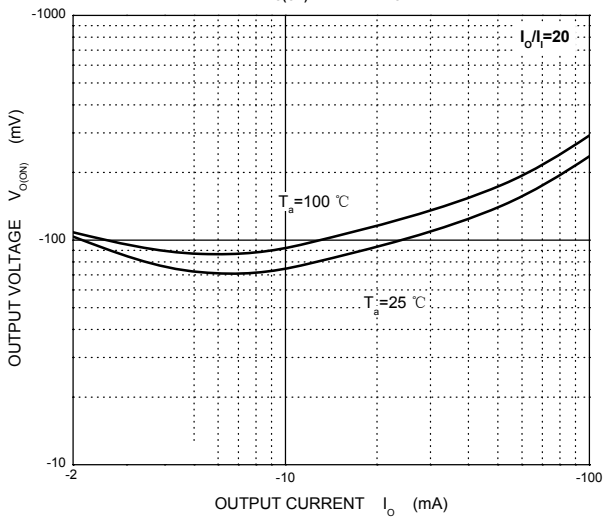
ON Characteristics



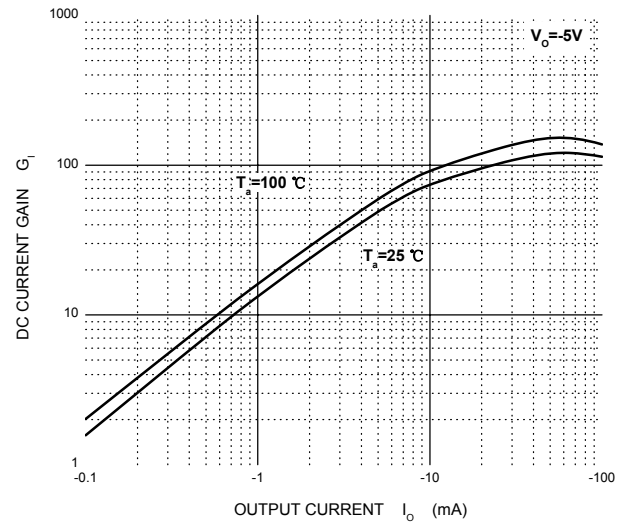
OFF Characteristics



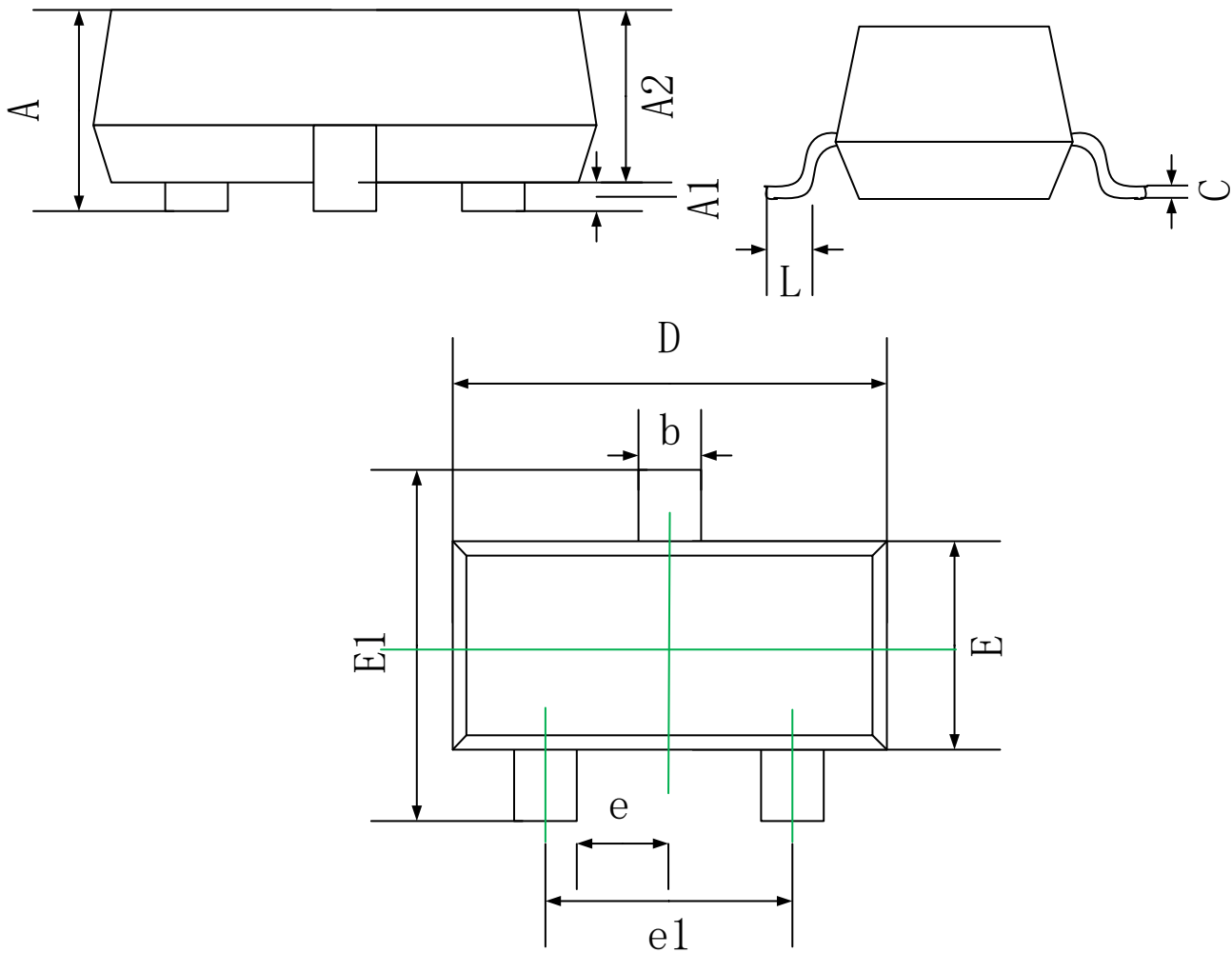
$V_{O(ON)} - I_O$



$G_1 - I_O$



SOT-523 Package Information



Symbol	Dimensions In Millimeters	
	Min.	Max.
A	0.70	0.90
A1	0.00	0.10
A2	0.70	0.80
b	0.25	0.35
c	0.10	0.20
D	1.50	1.70
E	0.70	0.90
E1	1.45	1.75
e	0.50 TYP.	
e1	0.90	1.10
L	0.40 REF.	
L1	0.26	0.46

单击下面可查看定价，库存，交付和生命周期等信息

[>>GP\(格瑞宝\)](#)