

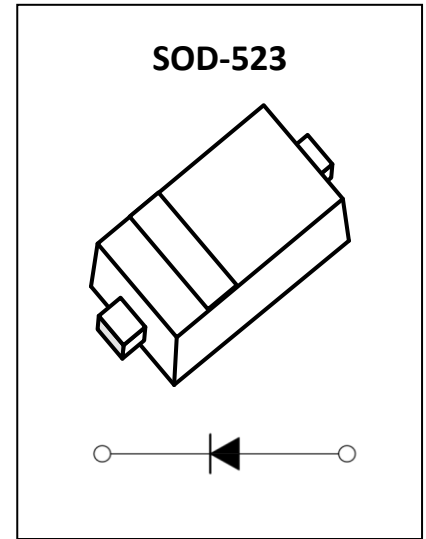
B1040X Schottky Barrier Diode

Feature

- Low Forward Voltage Drop
- Very Small SMD Package

Application

- Low Voltage Rectification
- High Efficiency DC/DC Conversion
- Switch Mode Power Supply
- Inverse Polarity Protection
- Low Power Consumption Applications



MARKING:



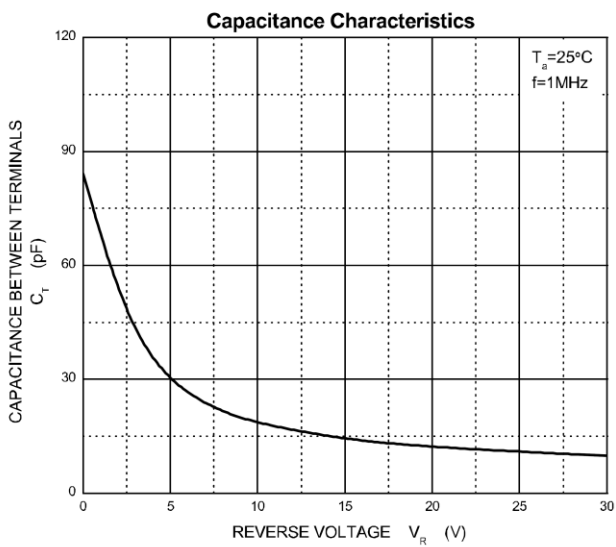
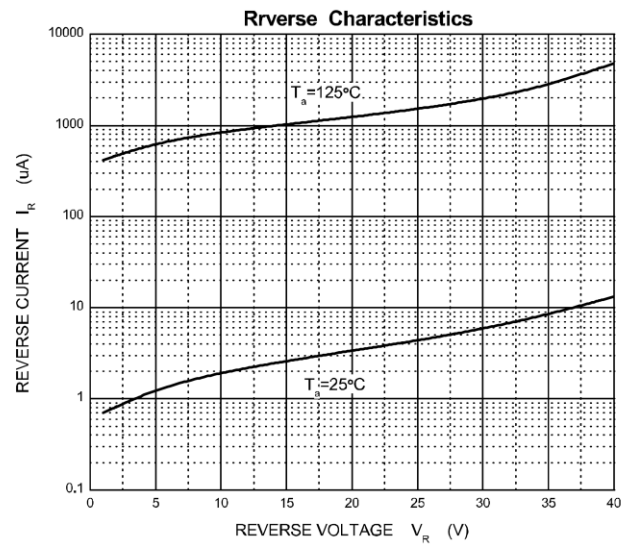
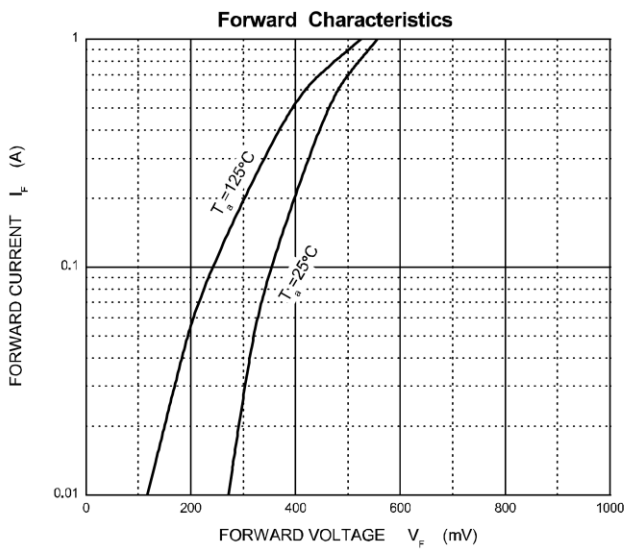
ABSOLUTE MAXIMUM RATINGS (T_a=25°C unless otherwise noted)

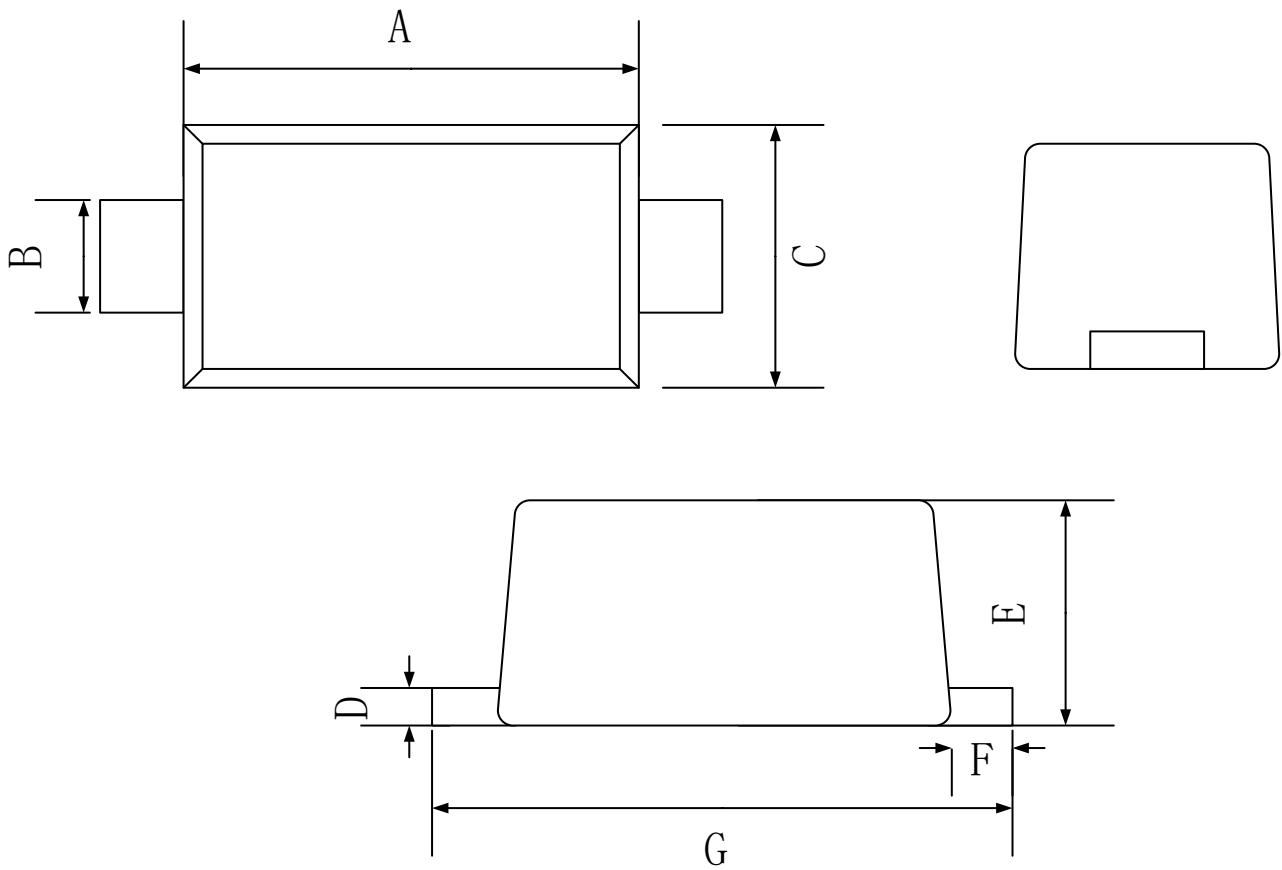
Parameter	Symbol	Value	Unit
DC reverse voltage	V _R	40	V
Mean rectifying current	I _O	1	A
Non-repetitive Peak Forward Surge Current @ t=8.3ms	I _{FSM}	7	A
Power Dissipation	P _D	0.5	W
Thermal Resistance from Junction to Ambient	R _{θJA}	250	°C/W
Junction Temperature	T _J	150	°C
Storage Temperature	T _{STG}	-55 ~ +150	°C

ELECTRICAL CHARACTERISTICS (T_a=25°C unless otherwise noted)

Parameter	Symbol	Test Condition	Min	Type	Max	Unit
Reverse voltage	V _{BR}	I _R = 1mA	40			V
Reverse current	I _R	V _R = 40V		10	40	μA
Forward voltage	V _F	I _F = 0.1A		0.35	0.38	V
		I _F = 0.2A		0.37	0.40	V
		I _F = 0.5A		0.42	0.49	V
		I _F = 0.7A		0.47	0.55	V
		I _F = 1A		0.51	0.61	V
Total capacitance	C _{tot}	V _R =10V, f=1MHz		19		pF

Typical Characteristics



SOD-523 Package Outline Dimensions


Symbol	Dimensions In Millimeters		
	Min.	Typ.	Max.
A	1.10	1.20	1.30
B	0.25	0.30	0.35
C	0.75	0.80	0.85
D	0.08	0.10	0.15
E	0.45	0.65	0.70
F	0.20 REF		
G	1.50	1.60	1.70

单击下面可查看定价，库存，交付和生命周期等信息

[>>GP\(格瑞宝\)](#)