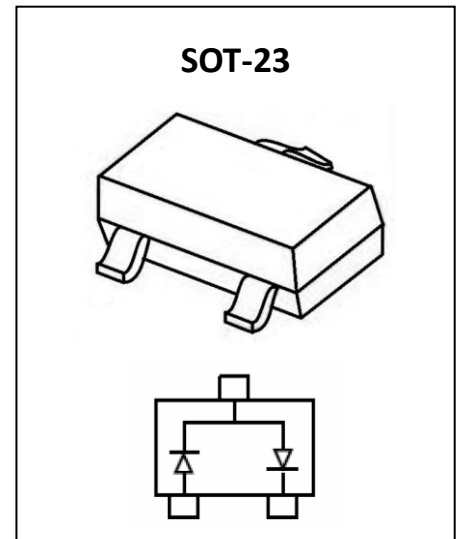


**BAV99 Switching Diodes**
**Feature**

- High Conductance
- Fast Switching Speed
- For General Purpose Switching Applications

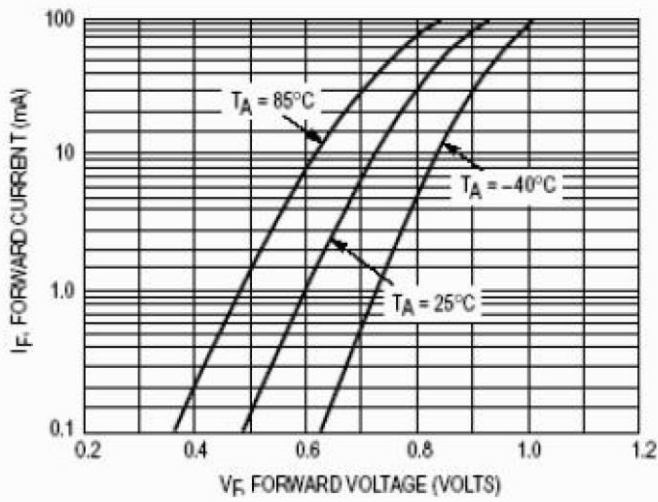
**MARKING: A7**

**ABSOLUTE MAXIMUM RATINGS ( $T_a=25^{\circ}\text{C}$  unless otherwise noted)**

Parameter	Symbol	Value	Unit
Reverse Voltage	$V_R$	70	V
Forward Current	$I_F$	0.20	A
Reverse current	$I_R$	2.5	$\mu\text{A}$
Non-repetitive Peak Forward Surge Current @ $t=8.3\text{ ms}$	$I_{FSM}$	2.0	A
Power Dissipation	$P_D$	200	mW
Junction Temperature	$T_J$	150	$^{\circ}\text{C}$
Storage Temperature	$T_{STG}$	-65 ~ +150	$^{\circ}\text{C}$

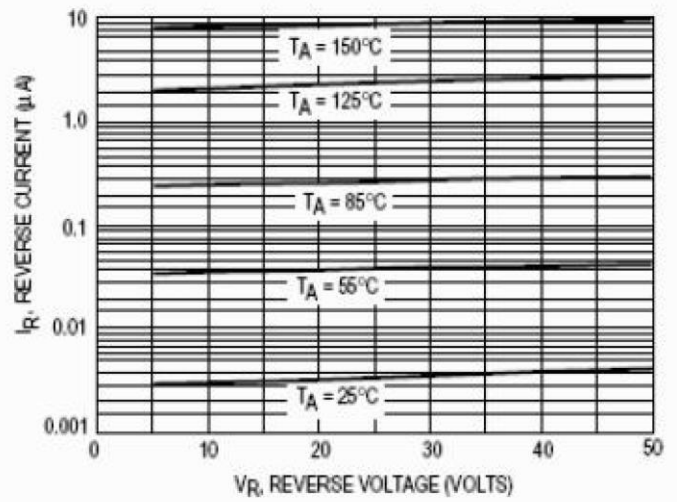
**ELECTRICAL CHARACTERISTICS ( $T_a=25^{\circ}\text{C}$  unless otherwise noted)**

Parameter	Symbol	Test Condition	Min	Max	Unit
Forward voltage	$V_F$	$I_F = 1\text{mA}$		0.715	V
		$I_F = 10\text{mA}$		0.855	V
		$I_F = 50\text{mA}$		1.0	V
		$I_F = 150\text{mA}$		1.25	V
Reverse Breakdown Voltage	$V_{(BR)R}$	$I_R = 100\mu\text{A}$	75		V
Reverse current	$I_R$	$V_R = 70\text{V}$		2.5	$\mu\text{A}$
Reverse Recovery Time	$T_{rr}$	$I_F = I_R = 10\text{mA}$ , $I_{rr} = 0.1 \cdot I_R$ , $R_L = 100\Omega$		6	ns

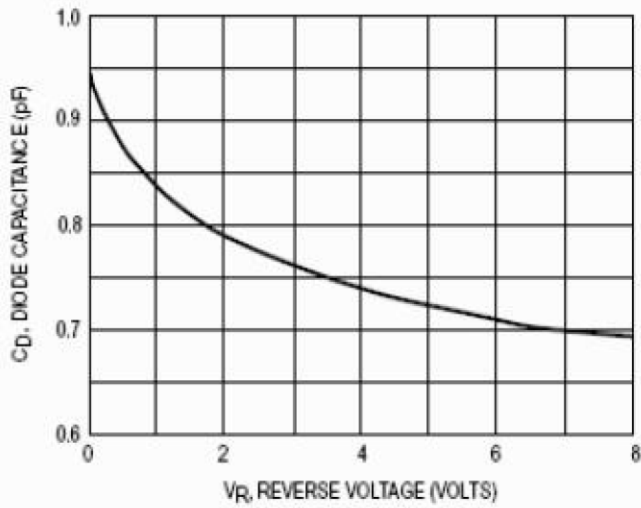
**Typical Electrical and Thermal Characteristics**



**Figure 1 Forward Voltage**

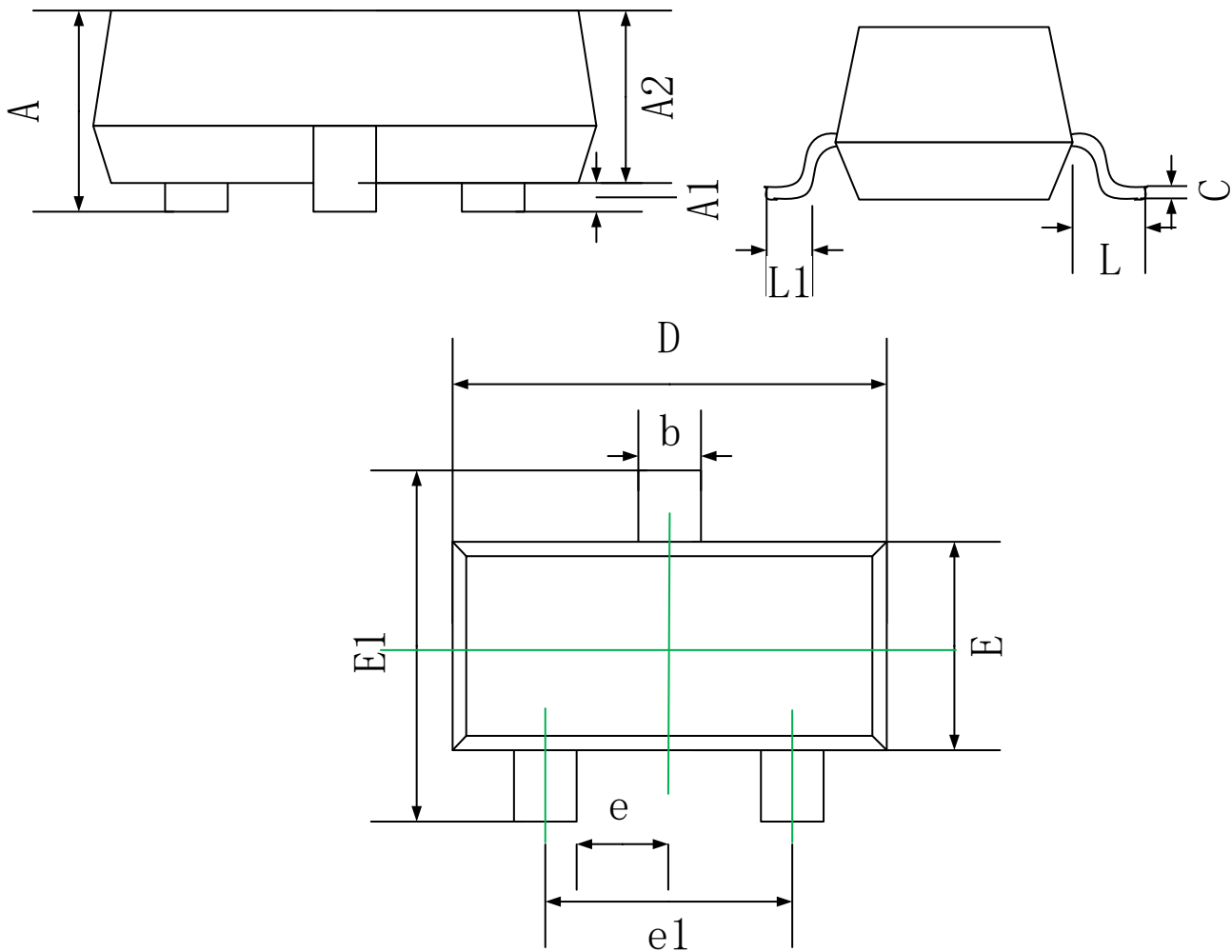


**Figure 2 Leakage Current**



**Figure 3 Capacitance**

## SOT-23 Package Information



Symbol	Dimensions In Millimeters	
	Min.	Max.
A	0.90	1.15
A1	0.00	0.10
A2	0.90	1.05
b	0.30	0.50
c	0.08	0.15
D	2.80	3.00
E	1.20	1.40
E1	2.25	2.55
e	0.95 REF.	
e1	1.80	2.00
L	0.55 REF.	
L1	0.30	0.50

单击下面可查看定价，库存，交付和生命周期等信息

[>>GP\(格瑞宝\)](#)