

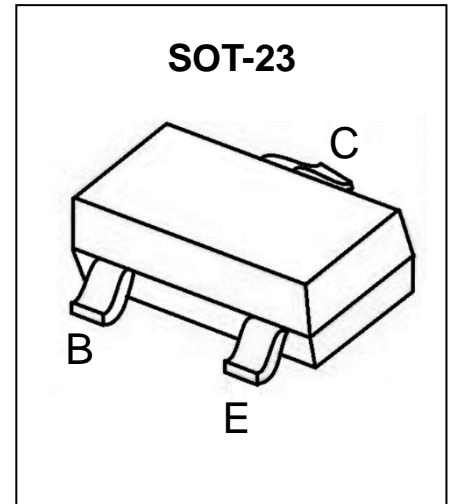


**BC847C Transistor(NPN)**

**Feature**

- Ideally suited for automatic insertion
- For Switching and AF Amplifier Applications

**Marking: 1G**



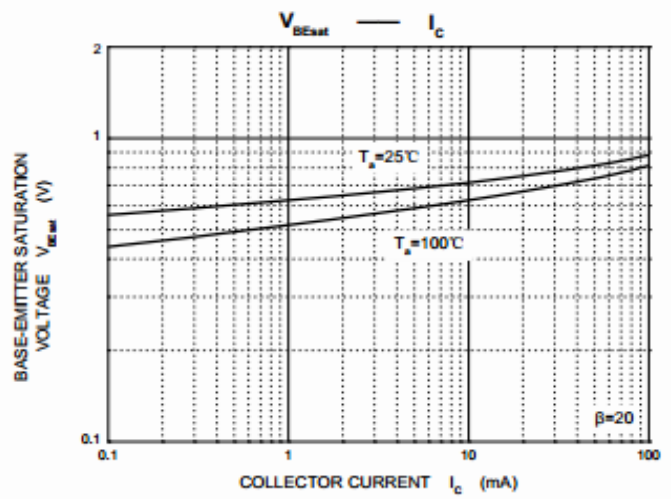
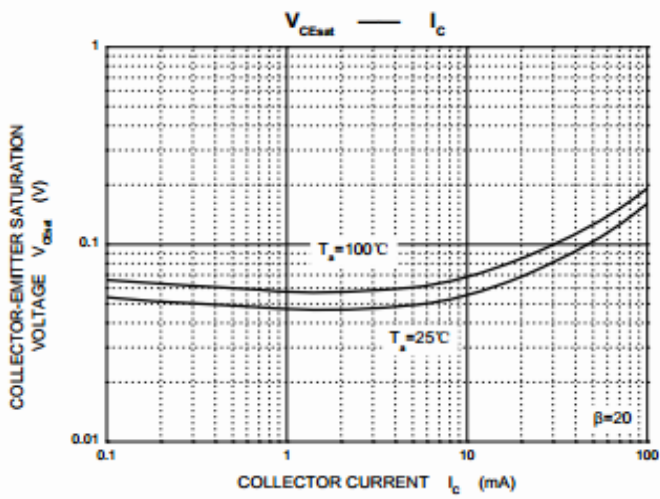
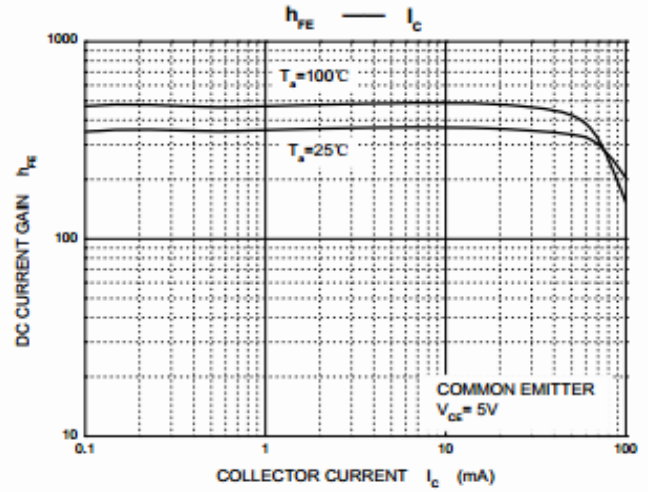
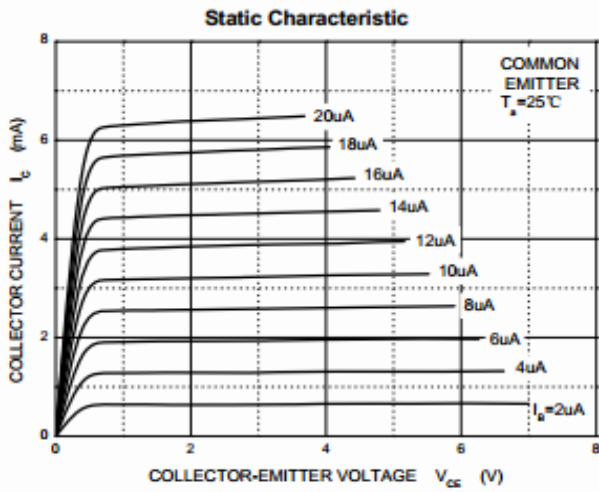
**MAXIMUM RATINGS (T<sub>a</sub>=25°C unless otherwise noted)**

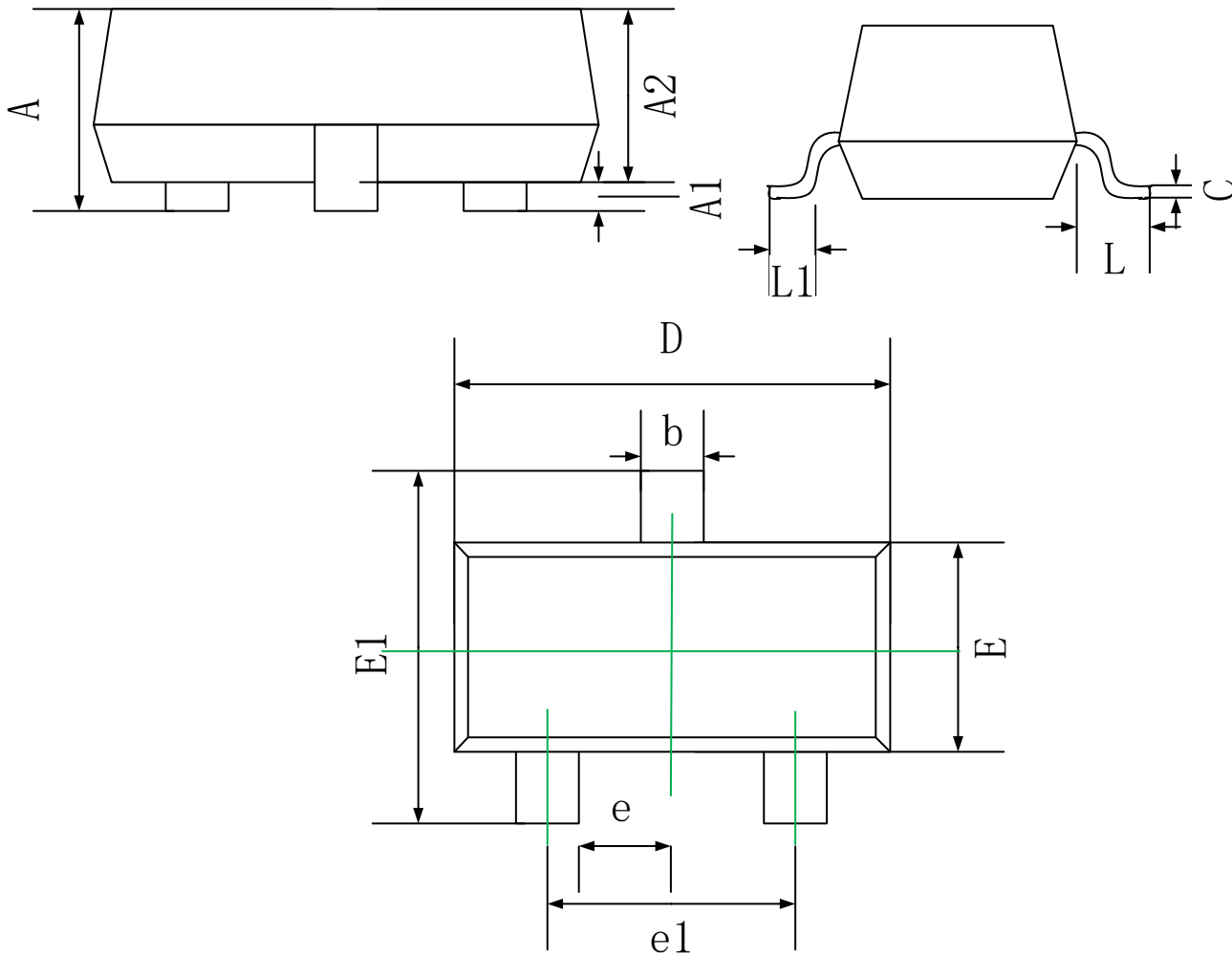
Parameter	Symbol	Value	Unit
Collector-Base Voltage	V <sub>CB0</sub>	50	V
Collector-Emitter Voltage	V <sub>CEO</sub>	45	V
Emitter-Base Voltage	V <sub>EB0</sub>	5	V
Collector Current -Continuous	I <sub>c</sub>	0.1	A
Collector Power Dissipation	P <sub>c</sub>	0.4	W
Junction Temperature	T <sub>J</sub>	150	°C
Storage Temperature	T <sub>STG</sub>	-55~ +150	°C

**ELECTRICAL CHARACTERISTICS(T<sub>a</sub>=25°C unless otherwise noted)**

Parameter	Symbol	Test Condition	Min	Typ	Max	Unit
Collector-base breakdown voltage	V <sub>(BR)CBO</sub>	I <sub>c</sub> =100μA, I <sub>E</sub> =0	50			V
Collector-emitter breakdown voltage	V <sub>(BR)CEO</sub>	I <sub>c</sub> =1mA, I <sub>B</sub> =0	45			V
Emitter-base breakdown voltage	V <sub>(BR)EBO</sub>	I <sub>E</sub> =100μA, I <sub>c</sub> =0	5			V
Collector cut-off current	I <sub>CB0</sub>	V <sub>CB</sub> =50V, I <sub>E</sub> =0V			100	nA
Collector cut-off current	I <sub>CEO</sub>	V <sub>CE</sub> =45V, I <sub>B</sub> =0V			100	nA
Emitter cut-off current	I <sub>EBO</sub>	V <sub>EB</sub> =5V, I <sub>c</sub> =0V			100	nA
DC current gain	h <sub>FE</sub>	V <sub>CE</sub> =5V, I <sub>c</sub> =1mA	420		800	
Collector-emitter saturation voltage	V <sub>CE(sat)</sub>	I <sub>c</sub> =100mA, I <sub>B</sub> = 5mA			0.5	V
Base-emitter saturation voltage	V <sub>BE(sat)</sub>	I <sub>c</sub> =100mA, I <sub>B</sub> = 5mA			1.1	V
Transition frequency	f <sub>T</sub>	V <sub>CE</sub> = 5V, I <sub>c</sub> =10mA, f =100MHz	100			MHZ

Typical Characteristics



**SOT-23 Package Information**


Symbol	Dimensions In Millimeters	
	Min.	Max.
A	0.90	1.15
A1	0.00	0.10
A2	0.90	1.05
b	0.30	0.50
c	0.08	0.15
D	2.80	3.04
E	1.20	1.40
E1	2.10	2.64
e	0.95 REF.	
e1	1.78	2.05
L	0.55 REF.	
L1	0.30	0.50

单击下面可查看定价，库存，交付和生命周期等信息

[>>GP\(格瑞宝\)](#)