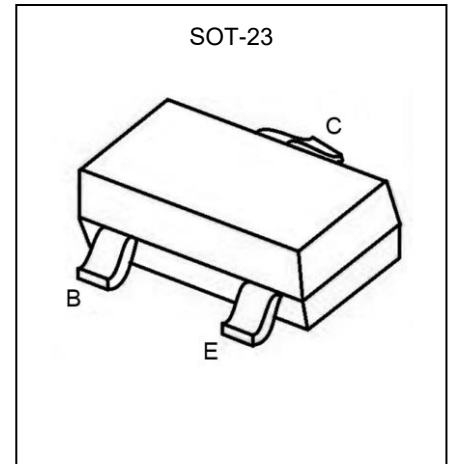


**BC807 Transistor(PNP)**
**Feature**

- For general AF applications
- High collector current
- High current gain
- Complementary type: BC817(NPN)


**MAXIMUM RATINGS (T<sub>a</sub>=25°C unless otherwise noted)**

Parameter	Symbol	Value	Unit
Collector-Base Voltage	V <sub>CB0</sub>	-50	V
Collector-Emitter Voltage	V <sub>CEO</sub>	-45	V
Emitter-Base Voltage	V <sub>EBO</sub>	-5	V
Collector Current -Continuous	I <sub>c</sub>	-0.5	A
Power Dissipation	P <sub>d</sub>	0.3	W
Junction Temperature	T <sub>J</sub>	150	°C
Storage Temperature	T <sub>STG</sub>	-55~ +150	°C

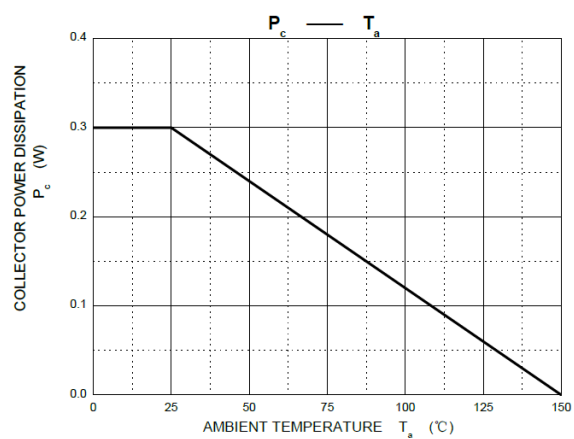
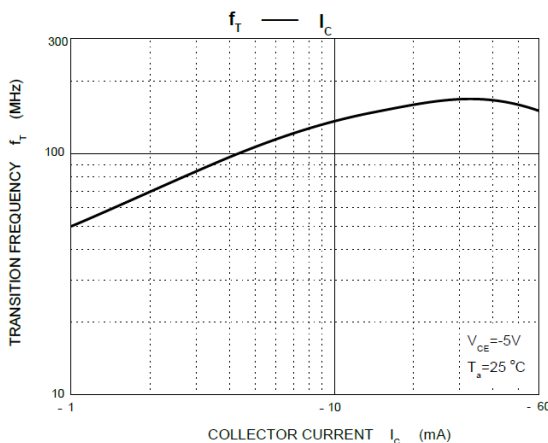
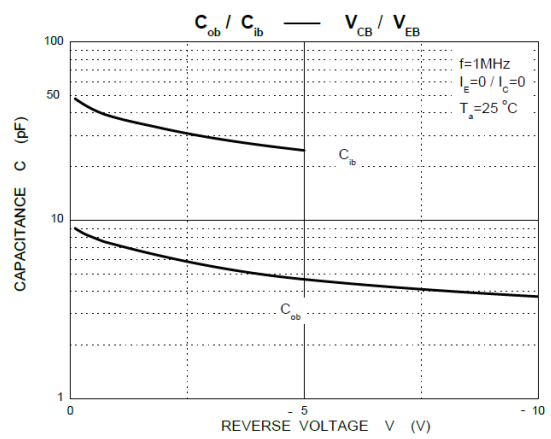
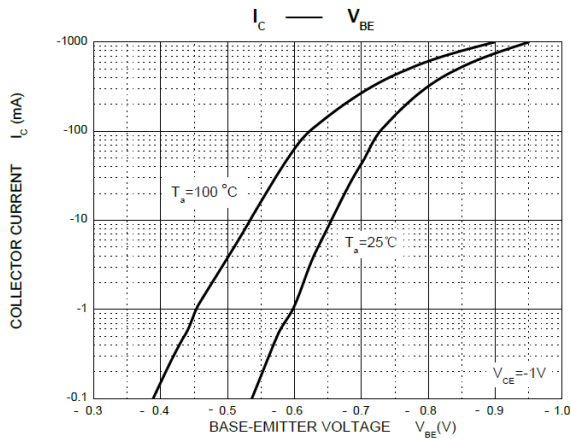
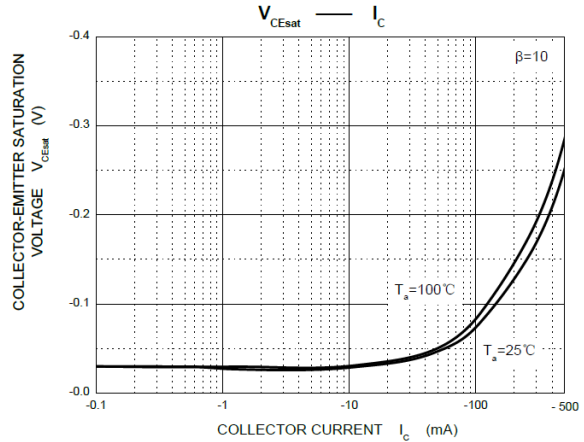
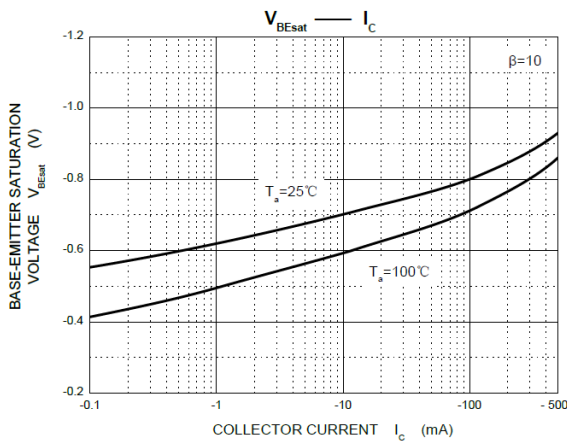
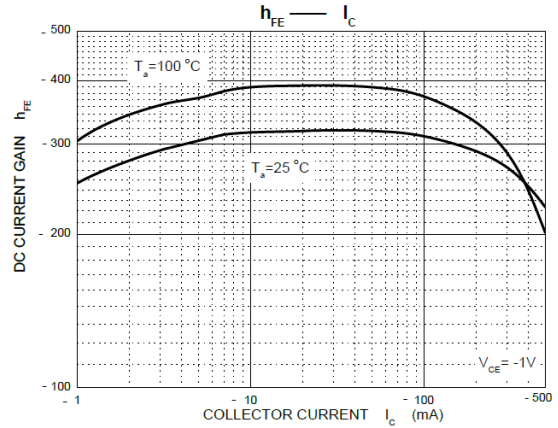
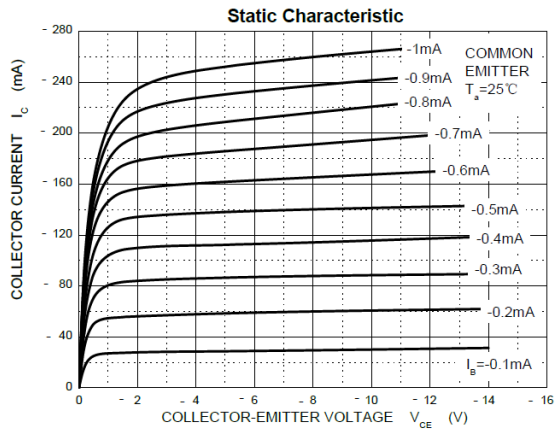
**ELECTRICAL CHARACTERISTICS(T<sub>a</sub>=25°C unless otherwise noted)**

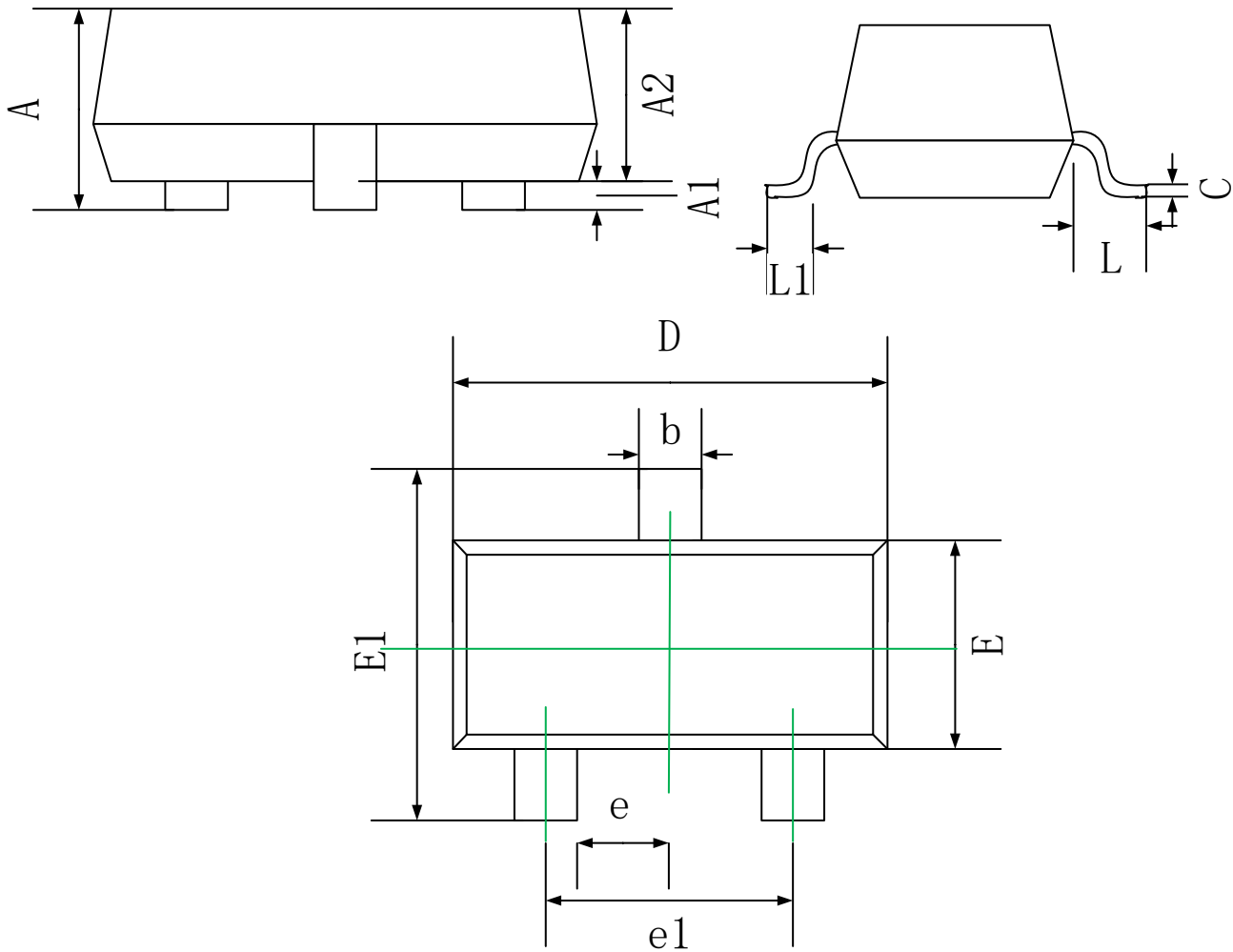
Parameter	Symbol	Test Condition	Min	Typ	Max	Unit
Collector-base breakdown voltage	V <sub>(BR)CBO</sub>	I <sub>c</sub> =-10μA, I <sub>E</sub> =0	-50			V
Collector-emitter breakdown voltage	V <sub>(BR)CEO</sub>	I <sub>c</sub> =-10mA, I <sub>B</sub> =0	-45			V
Emitter-base breakdown voltage	V <sub>(BR)EBO</sub>	I <sub>E</sub> =-1μA, I <sub>c</sub> =0	-5			V
Collector cut-off current	I <sub>CB0</sub>	V <sub>CB</sub> =-45V, I <sub>E</sub> =0			-0.1	μA
Emitter cut-off current	I <sub>EBO</sub>	V <sub>EB</sub> =-4V, I <sub>c</sub> =0			-0.1	μA
DC current gain	h <sub>FE1</sub>	V <sub>CE</sub> =-1V, I <sub>c</sub> =-100mA	100		600	
	h <sub>FE2</sub>	V <sub>CE</sub> =-1V, I <sub>c</sub> =-500mA	40			
Collector-emitter saturation voltage	V <sub>CE(sat)</sub>	I <sub>c</sub> =-500mA, I <sub>B</sub> =-50mA			-0.7	V
Base-emitter saturation voltage	V <sub>BE(sat)</sub>	I <sub>c</sub> =-500mA, I <sub>B</sub> =-50mA			-1.2	V
Transition frequency	f <sub>T</sub>	V <sub>CE</sub> =-5V, I <sub>c</sub> =-10mA, f =100MHz	100			MHZ

**Classification of h<sub>FE1</sub>**

Rank	BC807-16	BC807-25	BC807-40
Range	100~250	160~400	250~600
Marking	5A	5B	5C

**Typical Characteristics**



**SOT-23 Package Information**


Symbol	Dimensions In Millimeters	
	Min.	Max.
A	0.90	1.15
A1	0.00	0.10
A2	0.90	1.05
b	0.30	0.50
c	0.08	0.15
D	2.80	3.00
E	1.20	1.40
E1	2.25	2.55
e	0.95 REF.	
e1	1.80	2.00
L	0.55 REF.	
L1	0.30	0.50

单击下面可查看定价，库存，交付和生命周期等信息

[>>GP\(格瑞宝\)](#)