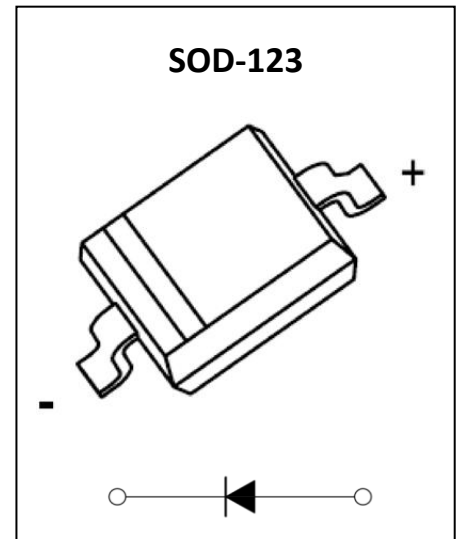


1N4448W Fast Switching Diodes
Feature

- V_R 75V
- I_{FAV} 250mA

Application

- Extreme fast switches

MARKING:

ABSOLUTE MAXIMUM RATINGS ($T_a=25^\circ\text{C}$ unless otherwise noted)

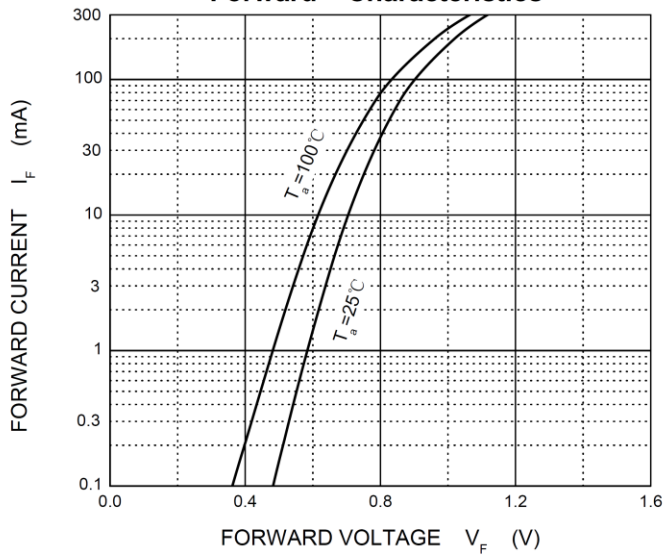
| Parameter | Symbol | Value | Unit |
|--|-----------|------------|------------------|
| Non-Repetitive Peak Reverse Voltage | V_{RSM} | 100 | V |
| Repetitive Peak Reverse Voltage | V_{RRM} | 75 | V |
| Average rectified output current | I_O | 0.25 | A |
| Forward continuous current | I_{FM} | 0.50 | A |
| Non-repetitive Peak Forward Surge Current @ $t=1\ \mu\text{s}$ | I_{FSM} | 4 | A |
| Power Dissipation | P_D | 0.5 | W |
| Junction Temperature | T_J | 150 | $^\circ\text{C}$ |
| Storage Temperature | T_{STG} | -65 ~ +150 | $^\circ\text{C}$ |

ELECTRICAL CHARACTERISTICS ($T_a=25^\circ\text{C}$ unless otherwise noted)

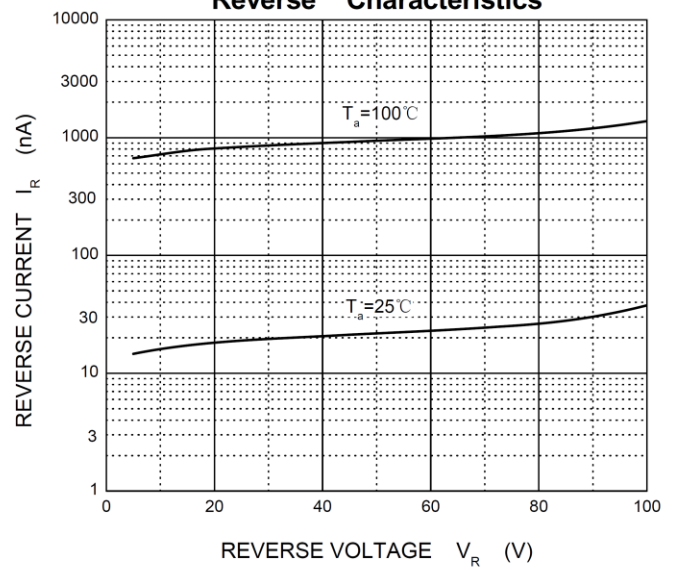
| Parameter | Symbol | Test Condition | Min | Max | Unit |
|-----------------------|----------|--|-----|-------|---------------|
| Forward voltage | V_F | $I_F = 1\text{mA}$ | | 0.715 | V |
| | | $I_F = 10\text{mA}$ | | 0.855 | V |
| | | $I_F = 50\text{mA}$ | | 1.0 | V |
| | | $I_F = 150\text{mA}$ | | 1.25 | V |
| Reverse current | I_R | $V_R = 20\text{V}$ | | 25 | nA |
| | | $V_R = 75\text{V}$ | | 2.5 | μA |
| Diode capacitance | C_D | $V_R=0\text{V}, f=1\text{MHz}$ | | 4 | pF |
| Reverse Recovery Time | t_{rr} | $I_F=I_R=10\text{mA}, I_{rr}=0.1 \cdot I_R, R_L=100\Omega$ | | 4 | ns |

Typical Electrical and Thermal Characteristics

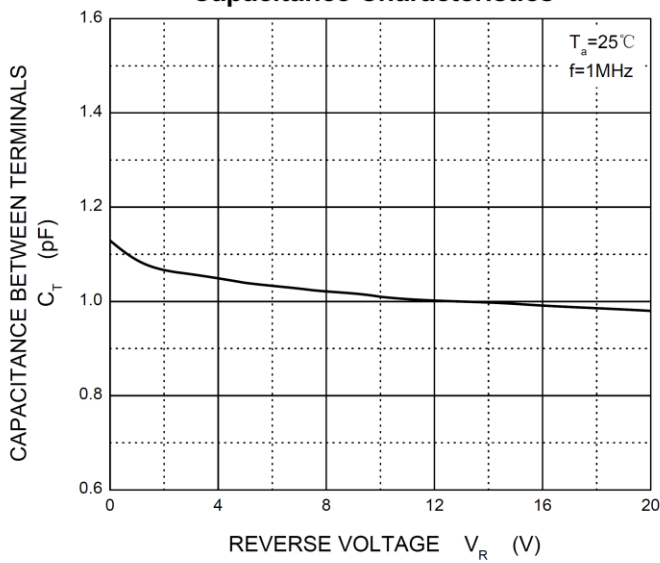
Forward Characteristics



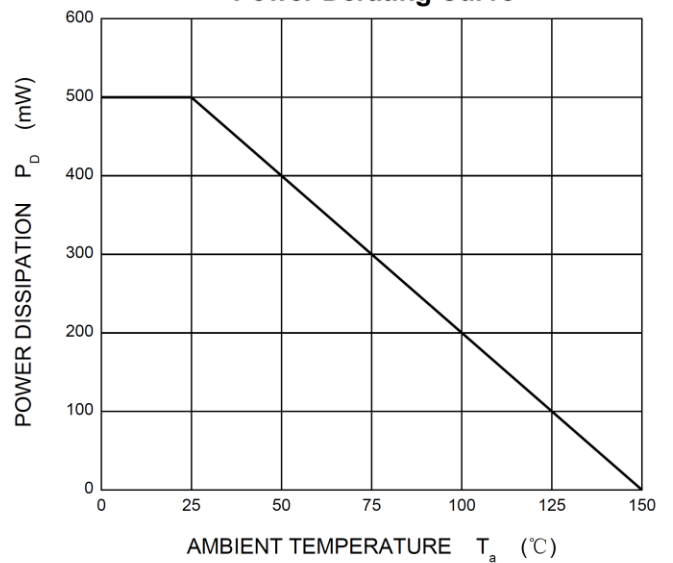
Reverse Characteristics

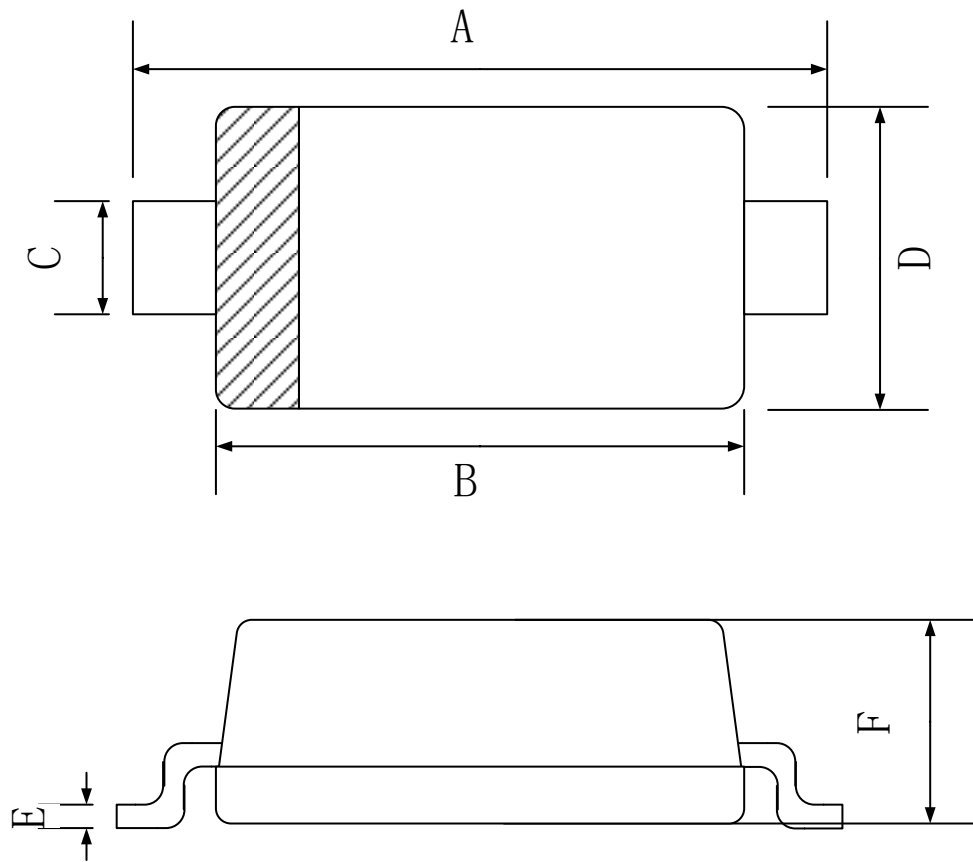


Capacitance Characteristics



Power Derating Curve

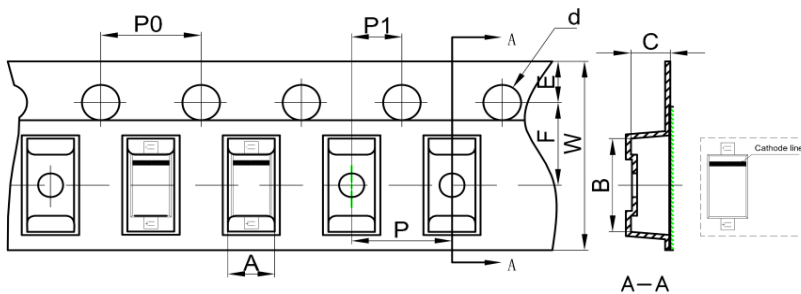


SOD-123 Package Outline Dimensions


| Symbol | Dimensions In Millimeters | | |
|--------|---------------------------|-------|------|
| | Min. | Typ. | Max. |
| A | 3.45 | 3.65 | 3.85 |
| B | 2.55 | 2.65 | 2.75 |
| C | 0.45 | 0.55 | 0.65 |
| D | 1.50 | 1.60 | 1.70 |
| E | 0.09 | 0.105 | 0.12 |
| F | 0.95 | 1.15 | 1.35 |

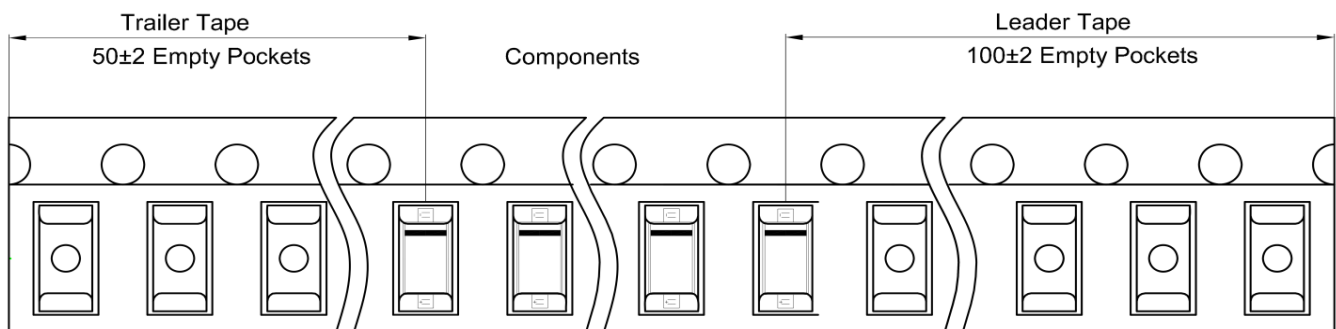
SOD-123 Package Outline Dimensions

SOD-123 Embossed Carrier Tape

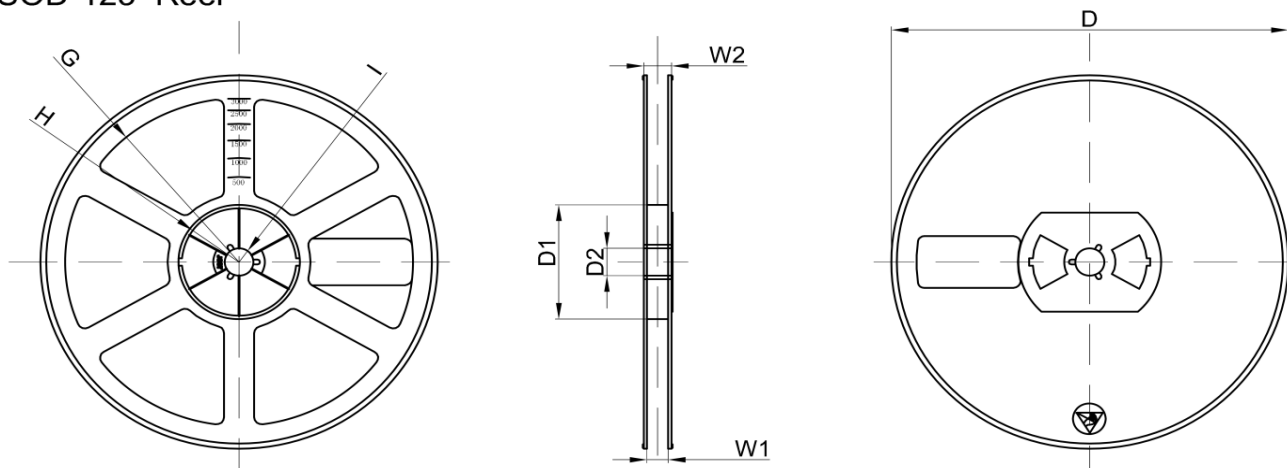


| Dimensions are in millimeter | | | | | | | | | | |
|------------------------------|---------|---------|---------|--------|--------|--------|--------|--------|--------|-----------|
| Pkg type | A | B | C | d | E | F | P0 | P | P1 | W |
| SOD-123 | 1.85 | 3.94 | 1.57 | Ø1.55 | 1.75 | 3.50 | 4.00 | 4.00 | 2.00 | 8.00 |
| (Tolerance) | +/-0.05 | +/-0.05 | +/-0.05 | +/-0.1 | +/-0.1 | +/-0.1 | +/-0.1 | +/-0.1 | +/-0.1 | +0.3/-0.1 |

SOD-123 Tape Leader and Trailer



SOD-123 Reel



| Dimensions are in millimeter | | | | | | | | |
|------------------------------|---------|-------|-------|--------|--------|-------|------|-------|
| Reel Option | D | D1 | D2 | G | H | I | W1 | W2 |
| 7" Dia | Ø178.00 | 54.40 | 13.00 | R78.00 | R25.60 | R6.50 | 9.50 | 12.30 |
| Tolerance | +/-2 | +/-1 | +/-1 | +/-1 | +/-1 | +/-1 | +/-1 | +/-1 |

| REEL | Reel Size | Box | Box Size(mm) | Carton | Carton Size(mm) | G.W.(kg) |
|----------|-----------|------------|--------------|-------------|-----------------|----------|
| 3000 pcs | 7 inch | 45,000 pcs | 203×203×195 | 180,000 pcs | 438×438×220 | |

单击下面可查看定价，库存，交付和生命周期等信息

[>>GP\(格瑞宝\)](#)