

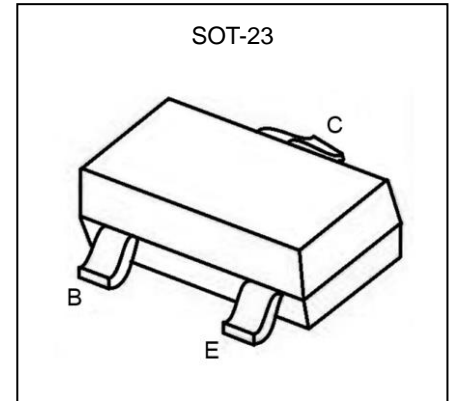


**MMBTA06 Transistor(NPN)**

**Feature**

- For Switching and Amplifier Applications
- Complementary PNP Type Available(MMBTA56)

**Marking: 1GM**



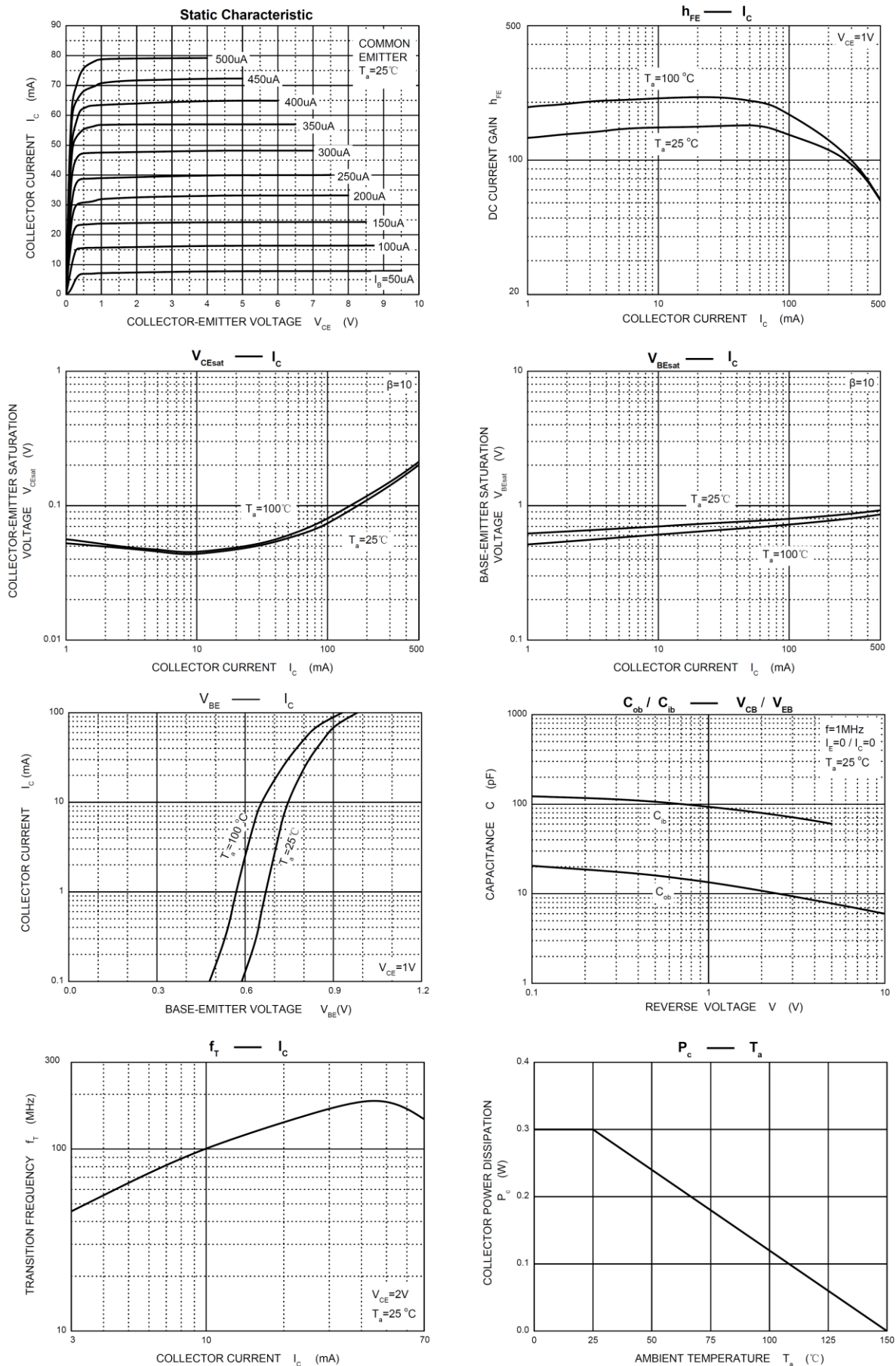
**MAXIMUM RATINGS (T<sub>a</sub>=25°C unless otherwise noted)**

Parameter	Symbol	Value	Unit
Collector-Base Voltage	V <sub>CB0</sub>	80	V
Collector-Emitter Voltage	V <sub>CE0</sub>	80	V
Emitter-Base Voltage	V <sub>EB0</sub>	4	V
Collector Current -Continuous	I <sub>c</sub>	0.5	A
Power Dissipation	P <sub>d</sub>	0.3	W
Junction Temperature	T <sub>J</sub>	150	°C
Storage Temperature	T <sub>STG</sub>	-55~ +150	°C

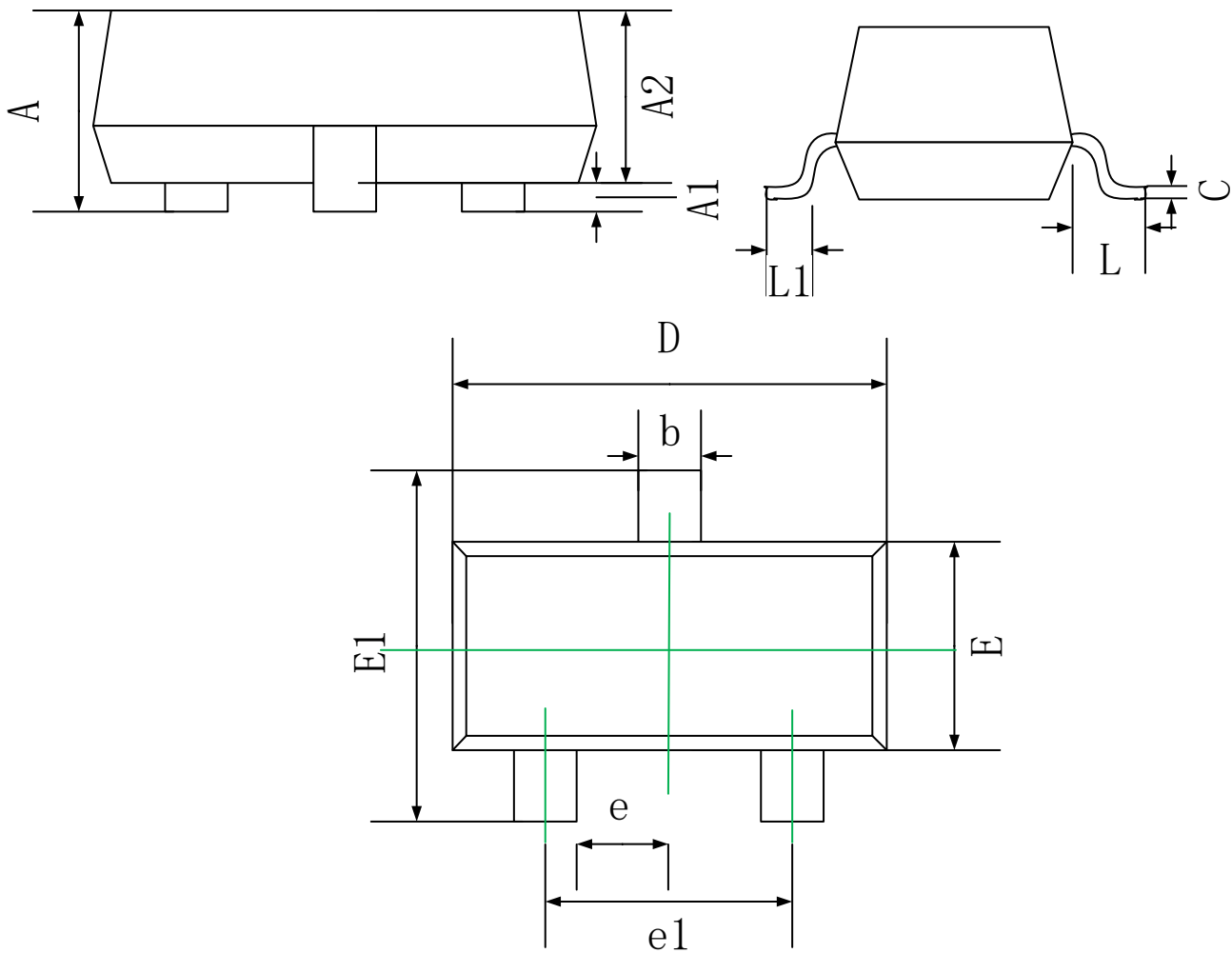
**ELECTRICAL CHARACTERISTICS(T<sub>a</sub>=25°C unless otherwise noted)**

Parameter	Symbol	Test Condition	Min	Max	Unit
Collector-base breakdown voltage	V <sub>(BR)CBO</sub>	I <sub>c</sub> =100μA, I <sub>E</sub> =0	80		V
Collector-emitter breakdown voltage	V <sub>(BR)CEO</sub>	I <sub>c</sub> =-1mA, I <sub>B</sub> =0	80		V
Emitter-base breakdown voltage	V <sub>(BR)EBO</sub>	I <sub>E</sub> =100μA, I <sub>c</sub> =0	4		V
Collector cut-off current	I <sub>CBO</sub>	V <sub>CB</sub> =80V, I <sub>E</sub> =0		100	nA
Collector cut-off current	I <sub>CEO</sub>	V <sub>CE</sub> =60V, I <sub>B</sub> =0		100	nA
Emitter cut-off current	I <sub>EBO</sub>	V <sub>EB</sub> =3V, I <sub>c</sub> =0		100	nA
DC current gain	h <sub>FE</sub>	V <sub>CE</sub> =1V, I <sub>c</sub> =10mA	100	400	
		V <sub>CE</sub> =1V, I <sub>c</sub> =100mA	100		
Collector-emitter saturation voltage	V <sub>CE(sat)</sub>	I <sub>c</sub> =100mA, I <sub>B</sub> = 10mA		0.25	V
Base-emitter saturation voltage	V <sub>BE(sat)</sub>	I <sub>c</sub> =100mA, I <sub>B</sub> = 10mA		1.2	V
Transition frequency	f <sub>T</sub>	V <sub>CE</sub> = 2V, I <sub>c</sub> =10mA, f =100MHz	100		MHZ

Typical Characteristics



## SOT-23 Package Information



Symbol	Dimensions In Millimeters	
	Min.	Max.
A	0.90	1.15
A1	0.00	0.10
A2	0.90	1.05
b	0.30	0.50
c	0.08	0.15
D	2.80	3.00
E	1.20	1.40
E1	2.25	2.55
e	0.95 REF.	
e1	1.80	2.00
L	0.55 REF.	
L1	0.30	0.50

单击下面可查看定价，库存，交付和生命周期等信息

[>>GP\(格瑞宝\)](#)