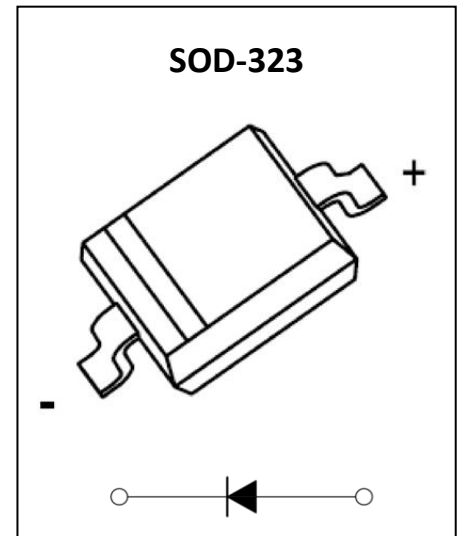


**GP5817WS Schottky Barrier Diode**
**Feature**

- Small power mold type
- Low VF
- Low IR
- High reliability

**Application**

- High frequency inverters
- Free wheeling
- Polarity protection applications


**MARKING:**

**ABSOLUTE MAXIMUM RATINGS (T<sub>a</sub>=25°C unless otherwise noted)**

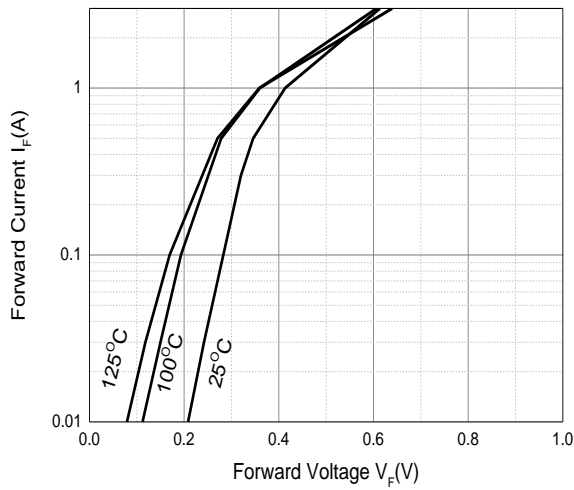
Parameter	Symbol	Value	Unit
DC reverse voltage	V <sub>R</sub>	20	V
Mean rectifying current	I <sub>o</sub>	1	A
Non-repetitive Peak Forward Surge Current @ t=8.3ms	I <sub>FSM</sub>	15	A
IEC 61000-4-2 ESD Voltage Air Model	V <sub>ESD</sub>	±15	KV
IEC 61000-4-2 ESD Voltage Contact Model		±8	KV
Power Dissipation	P <sub>D</sub>	0.25	W
Thermal Resistance from Junction to Ambient	R <sub>θJA</sub>	400	°C/W
Junction Temperature	T <sub>J</sub>	125	°C
Storage Temperature	T <sub>STG</sub>	-55 ~ +150	°C

**ELECTRICAL CHARACTERISTICS (T<sub>a</sub>=25°C unless otherwise noted)**

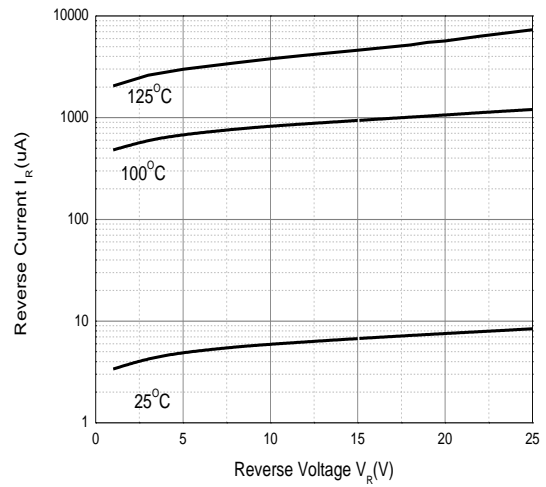
Parameter	Symbol	Test Condition	Min	Type	Max	Unit
Reverse voltage	V <sub>BR</sub>	I <sub>R</sub> =250μA	20			V
Forward voltage	V <sub>F</sub>	I <sub>F</sub> =0.5A	0	0.37	0.40	V
		I <sub>F</sub> =1.0A	0	0.42	0.45	V
		I <sub>F</sub> =3.0A	0	0.62	0.75	V
Reverse current	I <sub>R</sub>	V <sub>R</sub> =20V		5	50	μA
Diode capacitance	C <sub>D</sub>	V <sub>R</sub> =4V, f=1MHz		60		pF

**Typical Electrical and Thermal Characteristics**

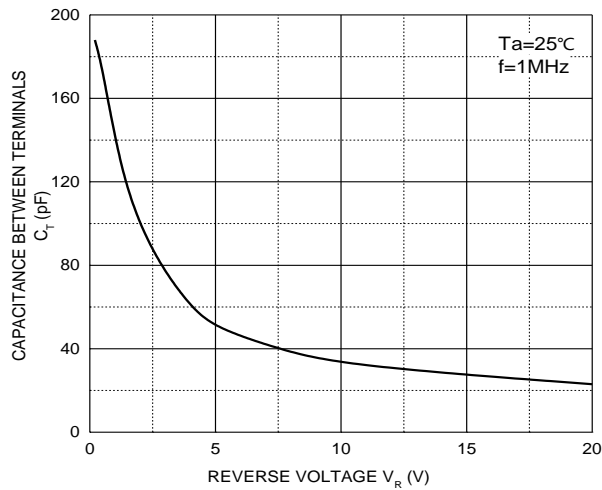
Forward Characteristics



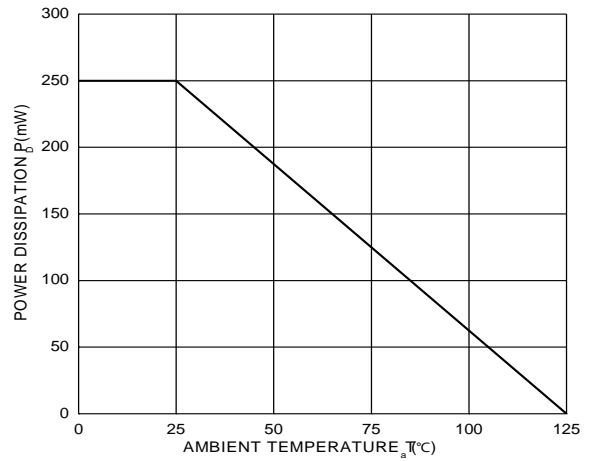
Reverse Characteristics



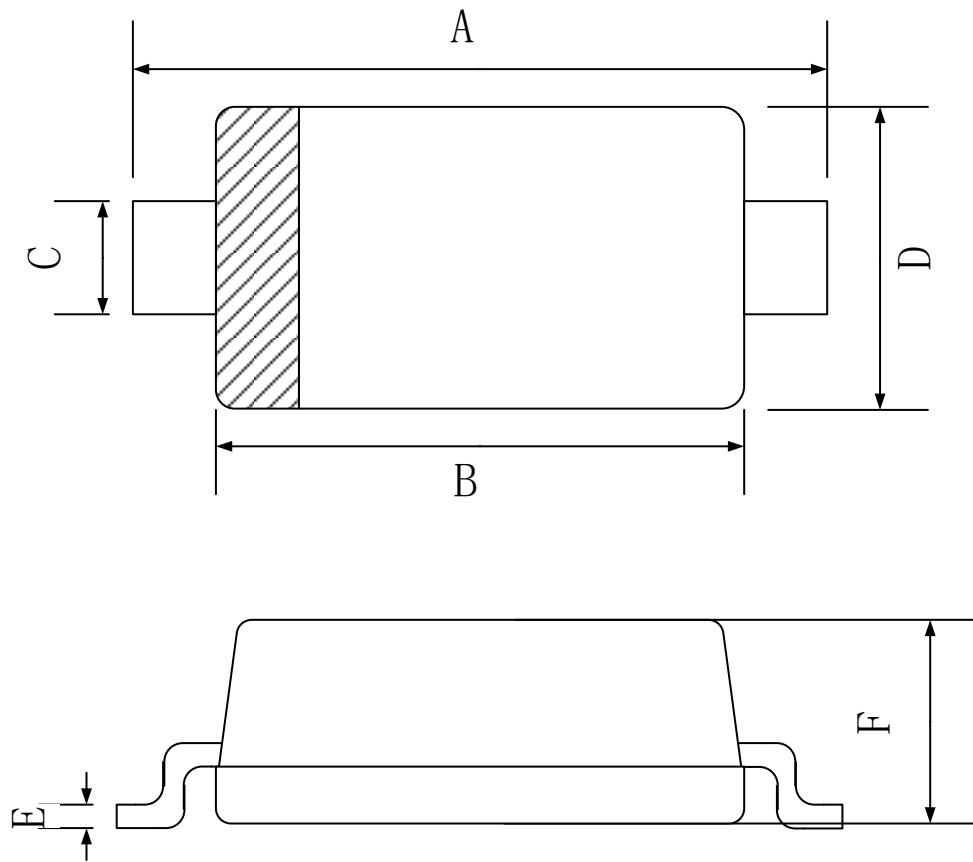
Capacitance Characteristics



Power Derating Curve



## SOD-323 Package Outline Dimensions



Symbol	Dimensions In Millimeters		
	Min.	Typ.	Max.
A	2.30	2.50	2.70
B	1.60	1.70	1.90
C	0.25	0.325	0.40
D	1.15	1.25	1.35
E	0.089	0.095	0.101
F	0.80	0.90	1.00

单击下面可查看定价，库存，交付和生命周期等信息

[>>GP\(格瑞宝\)](#)