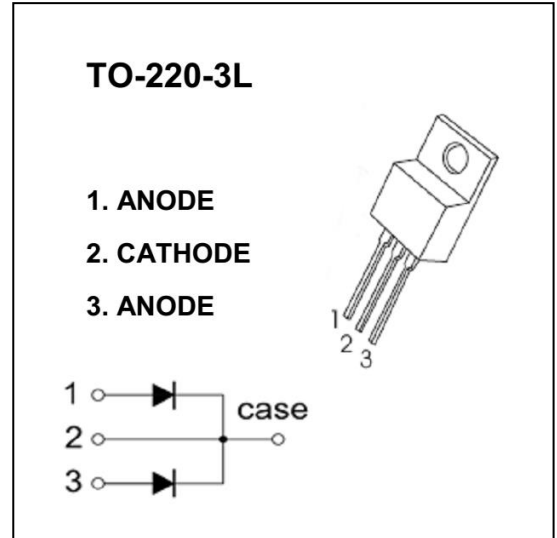




**MBR20L100CT**

**Feature**

- Low Power Loss, High Efficiency
- Low Reverse Current
- High Surge Capability
- High Current Capability and Low Forward Voltage



**ABSOLUTE MAXIMUM RATINGS (T<sub>a</sub>=25°C unless otherwise noted)**

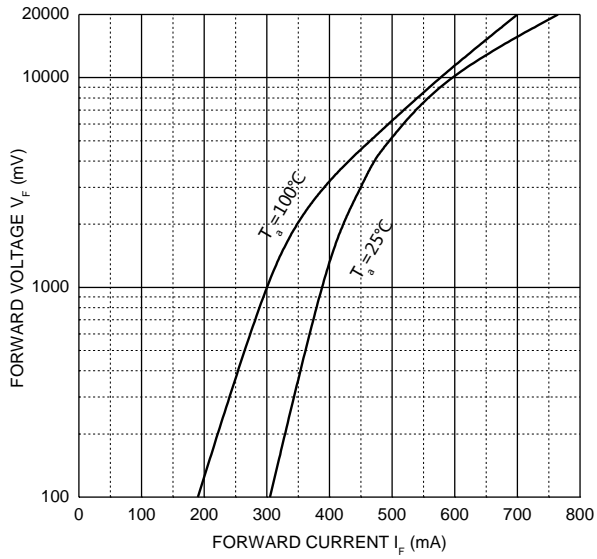
Parameter	Symbol	Value	Unit
Peak repetitive reverse voltage	V <sub>RRM</sub>	100	V
Working peak reverse voltage	V <sub>RWM</sub>		
DC blocking voltage	V <sub>R</sub>		
RMS reverse voltage	V <sub>R(RMS)</sub>	70	V
Average rectified output current@ T <sub>c</sub> =100°C	I <sub>O</sub>	20	A
Non-Repetitive peak forward surge current 8.3ms half sine wave	IFSM	280	A
Power dissipation	P <sub>D</sub>	2.5	W
Thermal resistance from junction to ambient	R <sub>θJA</sub>	50	°C/W
Junction temperature	T <sub>j</sub>	150	°C
Storage temperature	T <sub>stg</sub>	-55~+150	°C

**ELECTRICAL CHARACTERISTICS(T<sub>a</sub>=25°C unless otherwise noted)**

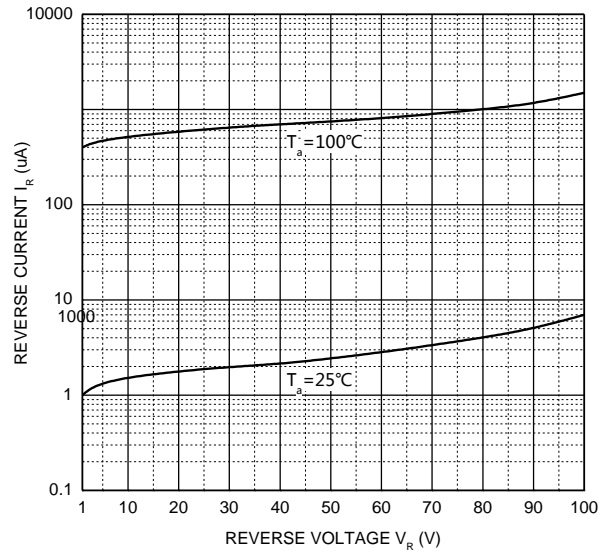
Parameter	Symbol	Test Condition	Min	Type	Max	Unit
Reverse voltage	V <sub>(BR)</sub>	I <sub>R</sub> =250μA	100	120		V
Reverse current	I <sub>R</sub>	V <sub>R</sub> =100V		5	50	μA
Forward voltage	V <sub>F</sub>	I <sub>F</sub> =2A		0.43	0.46	V
		I <sub>F</sub> =5A		0.50	0.55	V
		I <sub>F</sub> =10A		0.60	0.65	V
Typical total capacitance	C <sub>tot</sub>	V <sub>R</sub> =4V,f=1MHz		650		pF

**Typical Characteristics**

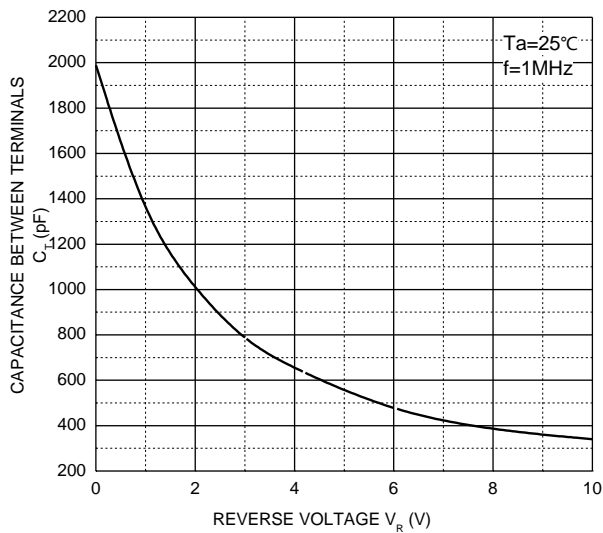
**Forward Characteristics**



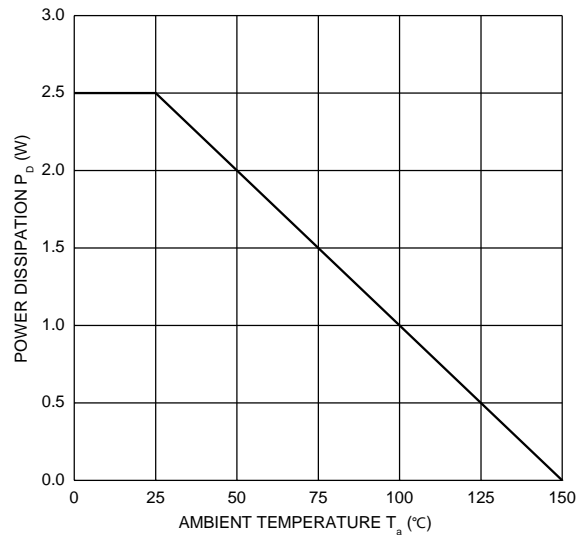
**Reverse Characteristics**



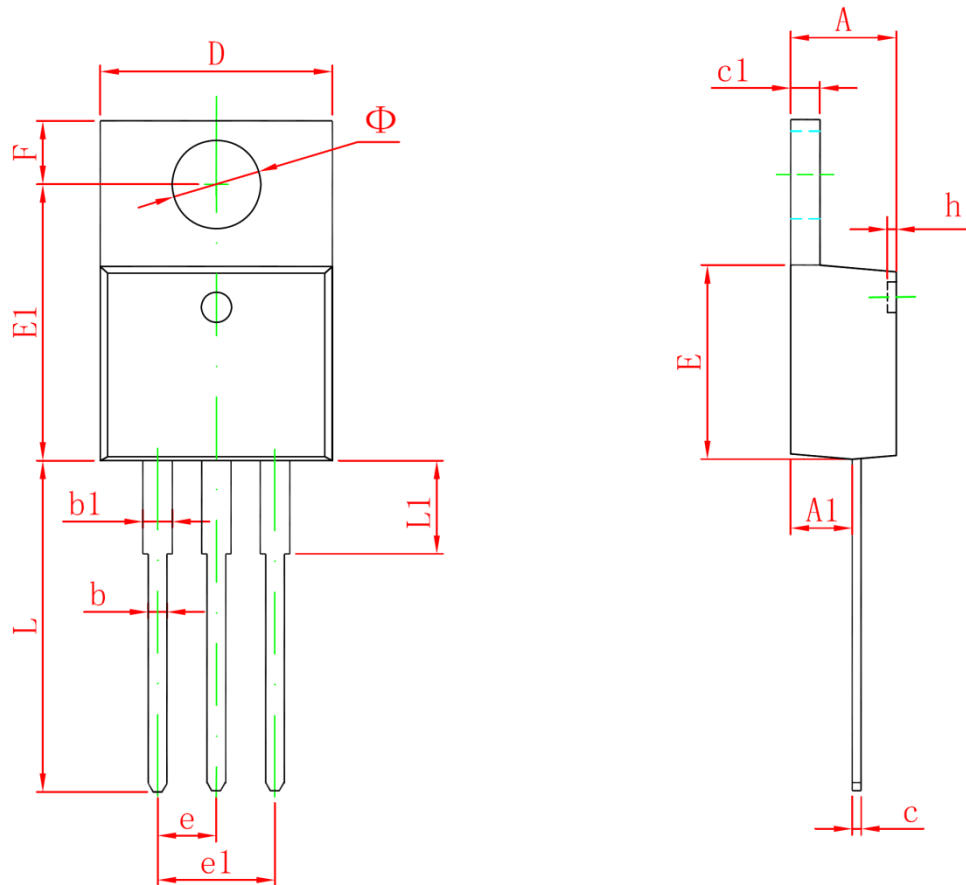
**Capacitance Characteristics**



**Power Derating Curve**



## TO-220-3L Package Outline Dimensions



Symbol	Dimensions In Millimeters		Dimensions In Inches	
	Min	Max	Min	Max
A	4.470	4.670	0.176	0.184
A1	2.520	2.820	0.099	0.111
b	0.710	0.910	0.028	0.036
b1	1.170	1.370	0.046	0.054
c	0.310	0.530	0.012	0.021
c1	1.170	1.370	0.046	0.054
D	10.010	10.310	0.394	0.406
E	8.500	8.900	0.335	0.350
E1	12.060	12.460	0.475	0.491
e	2.540 TYP		0.100 TYP	
e1	4.980	5.180	0.196	0.204
F	2.590	2.890	0.102	0.114
h	0.000	0.300	0.000	0.012
L	13.400	13.800	0.528	0.543
L1	3.560	3.960	0.140	0.156
$\Phi$	3.735	3.935	0.147	0.155

单击下面可查看定价，库存，交付和生命周期等信息

[>>GP\(格瑞宝\)](#)