

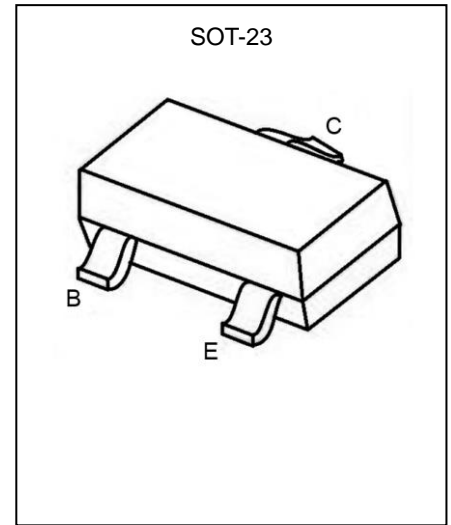


**MMBT2907A Transistor(PNP)**

**Feature**

- Epitaxial Planar Die Construction
- Complementary NPN Type Available(MMBT2222A)

**Marking: 2F**



**MAXIMUM RATINGS ( $T_a=25^{\circ}\text{C}$  unless otherwise noted)**

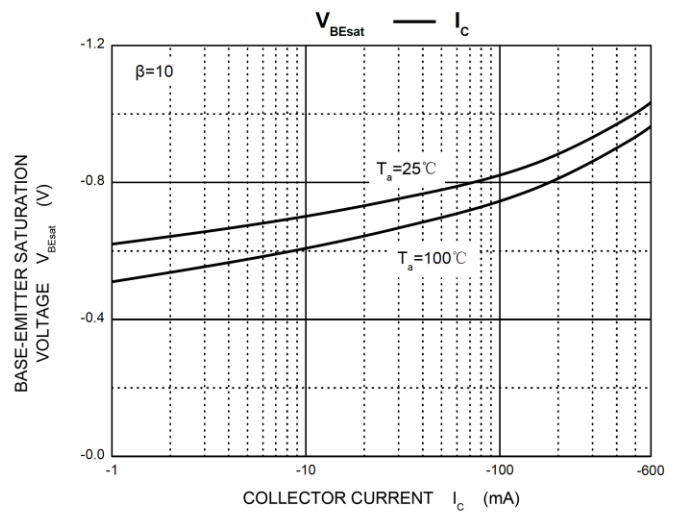
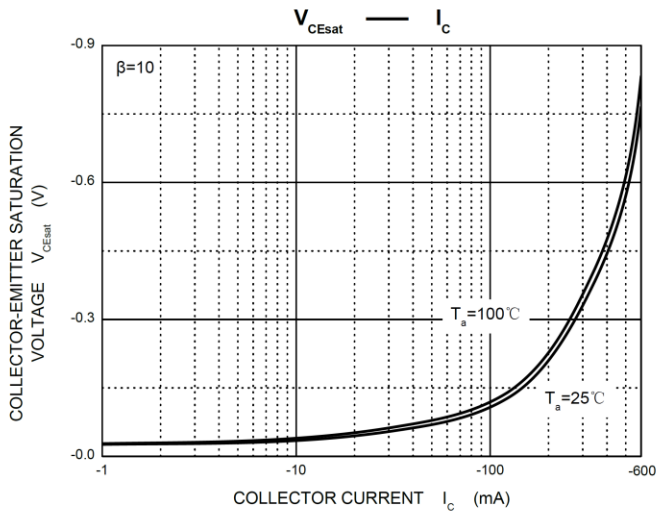
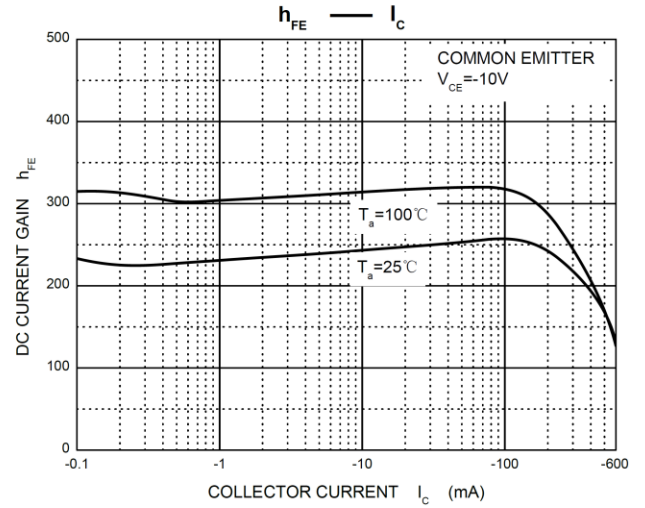
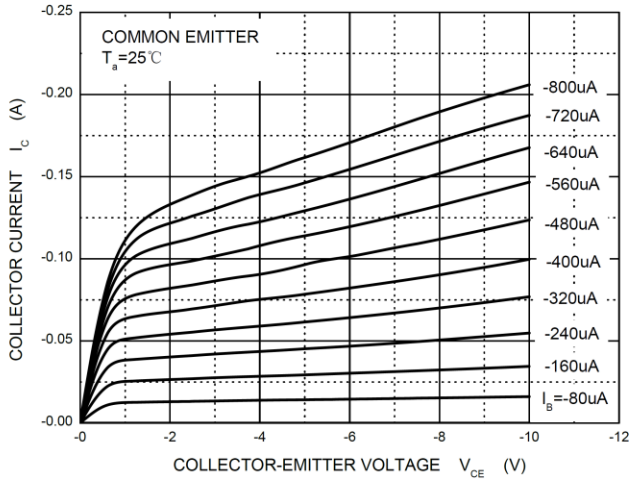
Parameter	Symbol	Value	Unit
Collector-Base Voltage	$V_{CB0}$	-60	V
Collector-Emitter Voltage	$V_{CE0}$	-60	V
Emitter-Base Voltage	$V_{EB0}$	-5	V
Collector Current -Continuous	$I_c$	-0.6	A
Power Dissipation	$P_d$	0.625	W
Junction Temperature	$T_J$	150	$^{\circ}\text{C}$
Storage Temperature	$T_{STG}$	-55~ +150	$^{\circ}\text{C}$

**ELECTRICAL CHARACTERISTICS( $T_a=25^{\circ}\text{C}$  unless otherwise noted)**

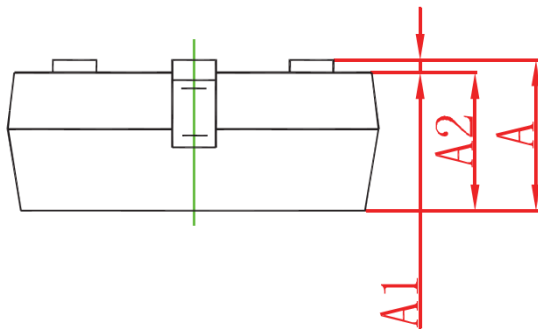
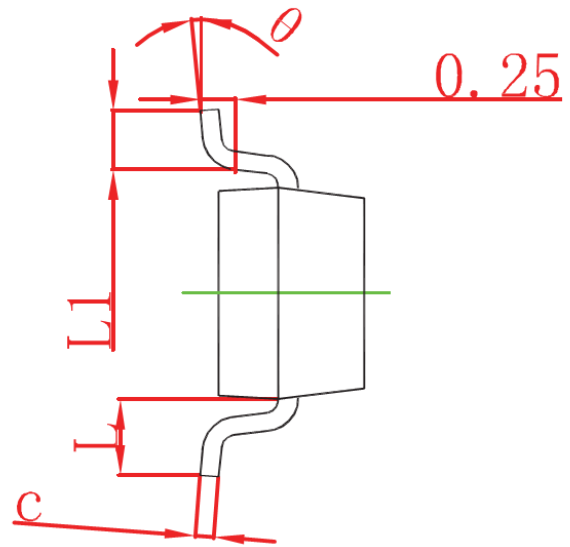
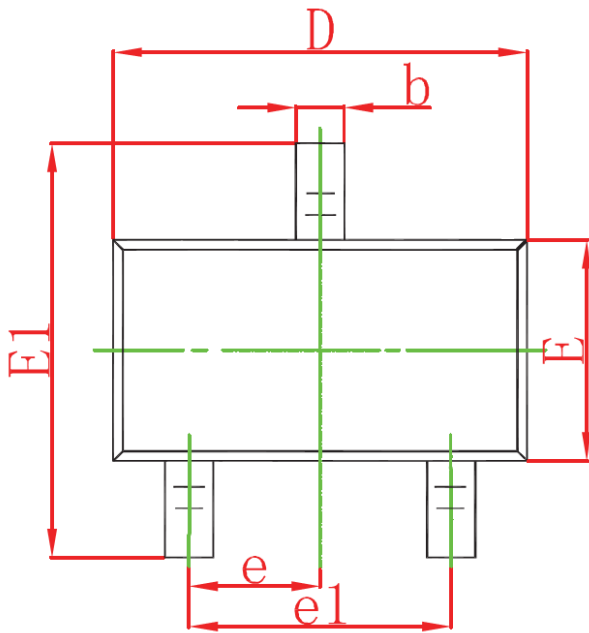
Parameter	Symbol	Test Condition	Min	Max	Unit
Collector-base breakdown voltage	$V_{(BR)CBO}$	$I_C=-100\mu\text{A}, I_E=0$	-60		V
Collector-emitter breakdown voltage	$V_{(BR)CEO}$	$I_C=-100\mu\text{A}, I_B=0$	-60		V
Emitter-base breakdown voltage	$V_{(BR)EBO}$	$I_E=-100\mu\text{A}, I_C=0$	-5		V
Collector cut-off current	$I_{CBO}$	$V_{CB}=-60\text{V}, I_E=0$		-100	nA
Collector cut-off current	$I_{CEO}$	$V_{CE}=-60\text{V}, I_B=0$		-100	nA
Base cut-off current	$I_{EBO}$	$V_{EB}=-4\text{V}, I_C=0$		-100	nA
DC current gain	$h_{FE}$	$V_{CE}=-10\text{V}, I_C=-150\text{mA}$	200	300	
		$V_{CE}=-10\text{V}, I_C=-0.1\text{mA}$	40		
		$V_{CE}=-10\text{V}, I_C=-500\text{mA}$	40		
Collector-emitter saturation voltage	$V_{CE(sat)}$	$I_C=-500\text{mA}, I_B=-50\text{mA}$		-1.0	V
Base-emitter saturation voltage	$V_{BE(sat)}$	$I_C=-500\text{mA}, I_B=-50\text{mA}$		-2.0	V
Transition frequency	$f_T$	$V_{CE}=-20\text{V}, I_C=-20\text{mA},$ $f=100\text{MHz}$	250		MHZ

**Typical Characteristics**

**Static Characteristic**



**SOT-23 Package Information**



Symbol	Dimensions In Millimeters	
	Min	Max
A	0.900	1.150
A1	0.000	0.100
A2	0.900	1.050
b	0.300	0.500
c	0.080	0.150
D	2.800	3.000
E	1.200	1.400
E1	2.250	2.550
e	0.950 TYP	
e1	1.800	2.000
L	0.550 REF	
L1	0.300	0.500
θ	0°	8°

单击下面可查看定价，库存，交付和生命周期等信息

[>>GP\(格瑞宝\)](#)