



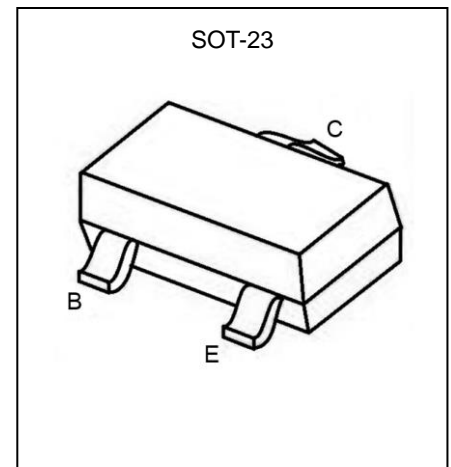
**MMBT4401 Transistor(NPN)**

**Feature**

- Switching Transistor

**MAXIMUM RATINGS (T<sub>a</sub>=25°C unless otherwise noted)**

Parameter	Symbol	Value	Unit
Collector-Base Voltage	V <sub>CBO</sub>	60	V
Collector-Emitter Voltage	V <sub>CEO</sub>	40	V
Emitter-Base Voltage	V <sub>EBO</sub>	6	V
Collector Current -Continuous	I <sub>c</sub>	0.6	A
Power Dissipation	P <sub>d</sub>	0.3	W
Junction Temperature	T <sub>J</sub>	150	°C
Storage Temperature	T <sub>STG</sub>	-55~ +150	°C

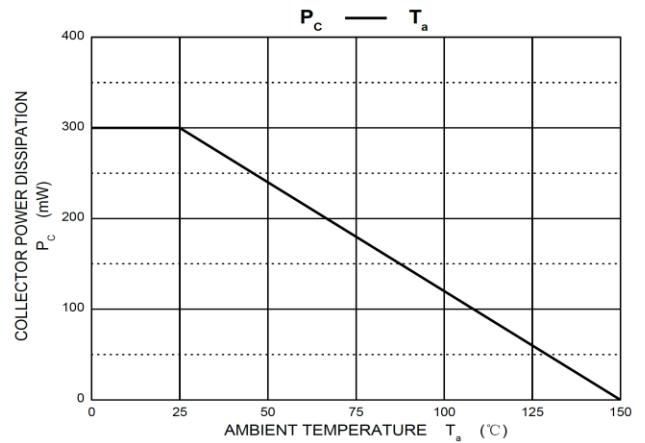
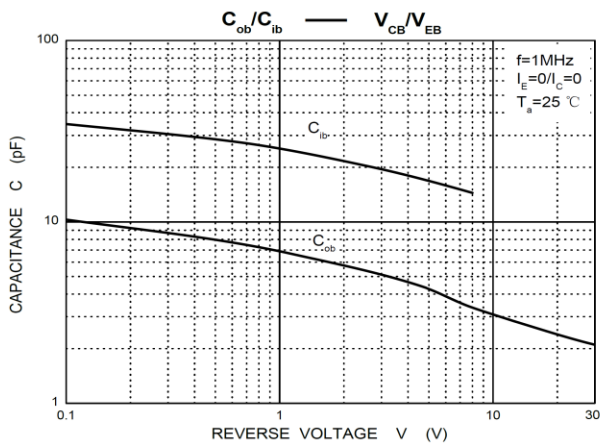
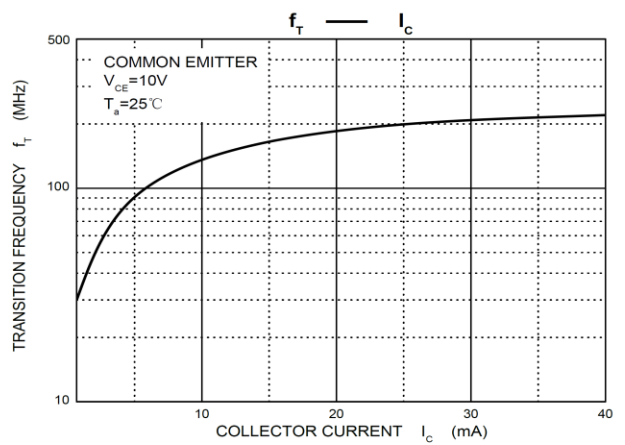
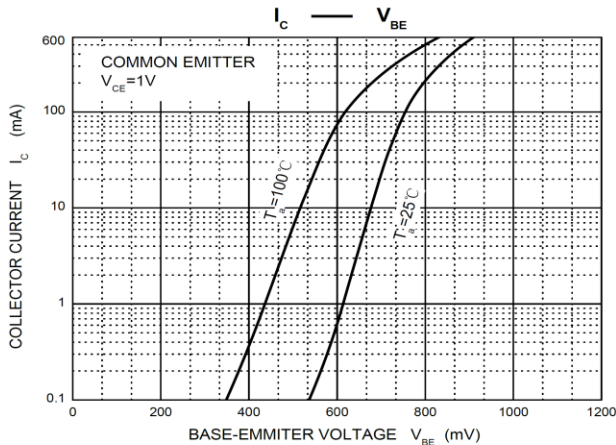
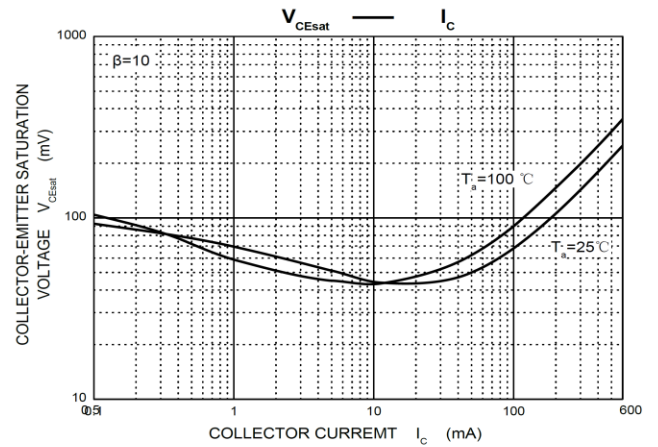
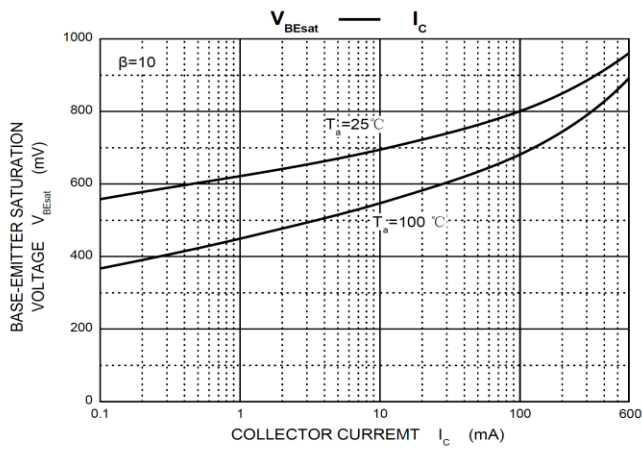
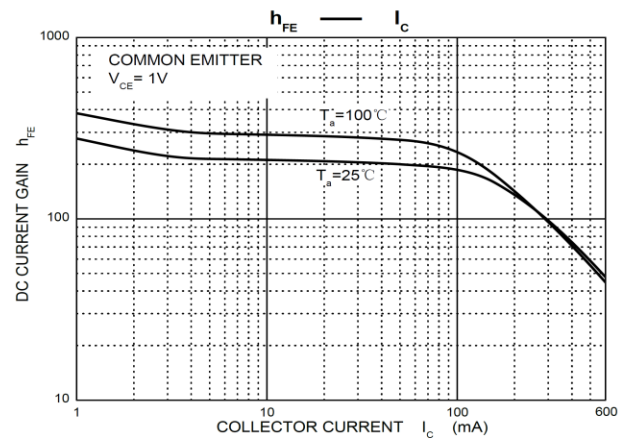
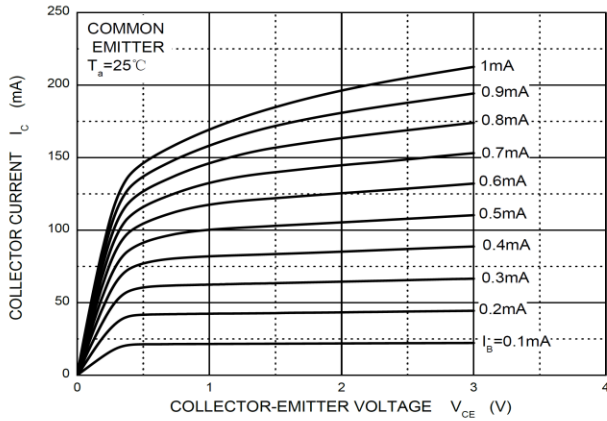


**ELECTRICAL CHARACTERISTICS(T<sub>a</sub>=25°C unless otherwise noted)**

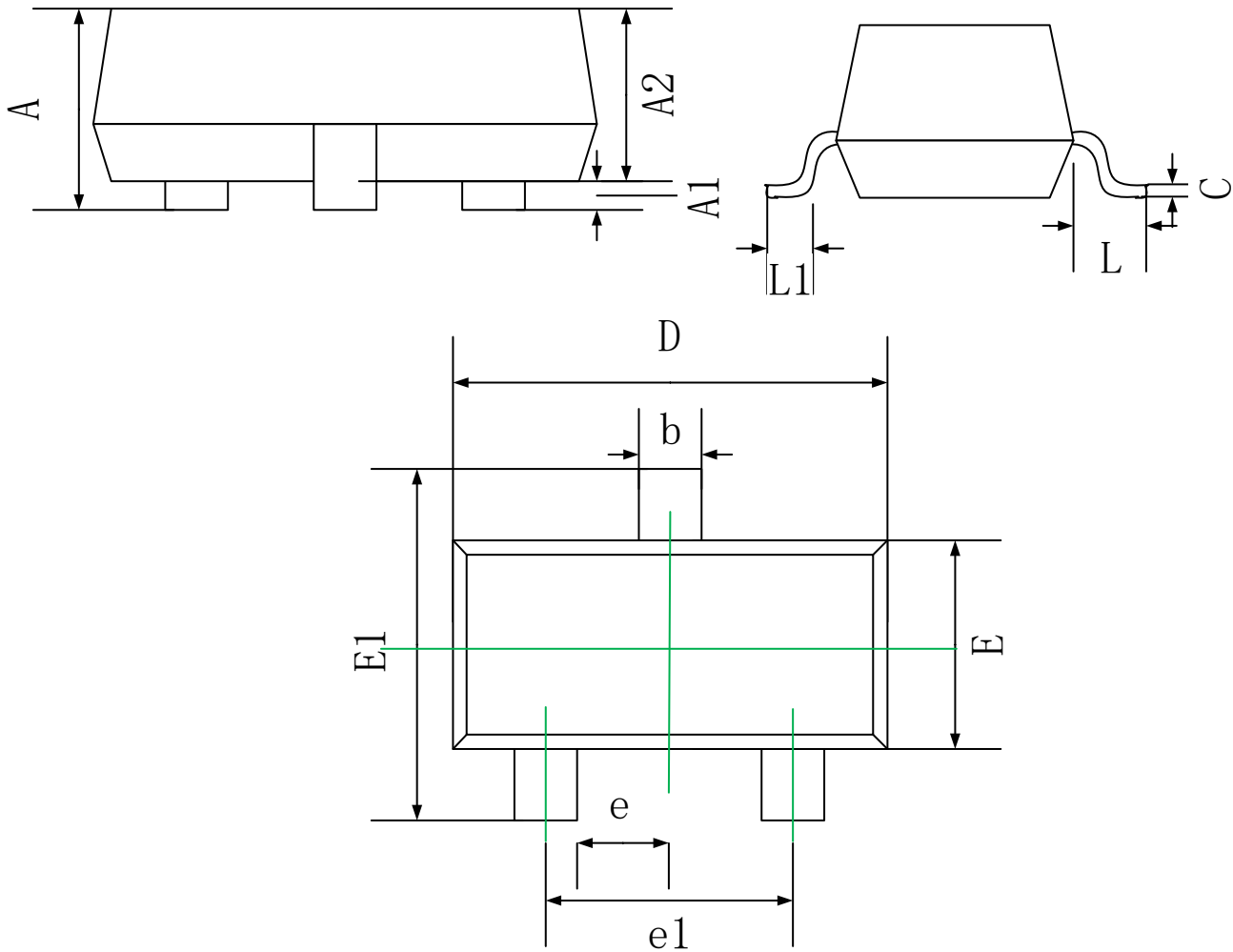
Parameter	Symbol	Test Condition	Min	Max	Unit
Collector-base breakdown voltage	V <sub>(BR)CBO</sub>	I <sub>c</sub> =100μA, I <sub>E</sub> =0	60		V
Collector-emitter breakdown voltage	V <sub>(BR)CEO</sub>	I <sub>c</sub> =1mA, I <sub>B</sub> =0	40		V
Emitter-base breakdown voltage	V <sub>(BR)EBO</sub>	I <sub>E</sub> =100μA, I <sub>c</sub> =0	6		V
Collector cut-off current	I <sub>CBO</sub>	V <sub>CB</sub> =50V, I <sub>E</sub> =0		0.1	μA
Collector cut-off current	I <sub>CEx</sub>	V <sub>CE</sub> =35V, V <sub>EB</sub> =0.4V		0.1	μA
Emitter cut-off current	I <sub>EBO</sub>	V <sub>EB</sub> =5V, I <sub>c</sub> =0		0.1	μA
DC current gain	h <sub>FE1</sub>	V <sub>CE</sub> =1V, I <sub>c</sub> =0.1mA	20		
	h <sub>FE2</sub>	V <sub>CE</sub> =1V, I <sub>c</sub> =1mA	40		
	h <sub>FE3</sub>	V <sub>CE</sub> =1V, I <sub>c</sub> =10mA	80		
	h <sub>FE4</sub>	V <sub>CE</sub> =1V, I <sub>c</sub> =150mA	100	300	
	h <sub>FE5</sub>	V <sub>CE</sub> =2V, I <sub>c</sub> =500mA	40		
Collector-emitter saturation voltage	V <sub>CE(sat)</sub>	I <sub>c</sub> =150mA, I <sub>B</sub> =15mA		0.4	V
		I <sub>c</sub> =500mA, I <sub>B</sub> =50mA		0.75	V
Base-emitter saturation voltage	V <sub>BE(sat)</sub>	I <sub>c</sub> =150mA, I <sub>B</sub> =15mA		0.95	V
		I <sub>c</sub> =500mA, I <sub>B</sub> =50mA		1.2	V
Transition frequency	f <sub>T</sub>	V <sub>CE</sub> =10V, I <sub>c</sub> =20mA, f =100MHz	250		MHZ
Delay Time	t <sub>d</sub>	V <sub>CC</sub> =30V, I <sub>c</sub> =150mA,		15	ns
Rise Time	t <sub>r</sub>	V <sub>BE(off)</sub> =-2V, I <sub>B</sub> =15mA		20	ns
Storage Time	t <sub>s</sub>	V <sub>CC</sub> =30V, I <sub>c</sub> =150mA,		225	ns
Fall Time	t <sub>f</sub>	I <sub>B1</sub> = I <sub>B2</sub> =15mA		60	ns

**Typical Characteristics**

**Static Characteristic**



## SOT-23 Package Information

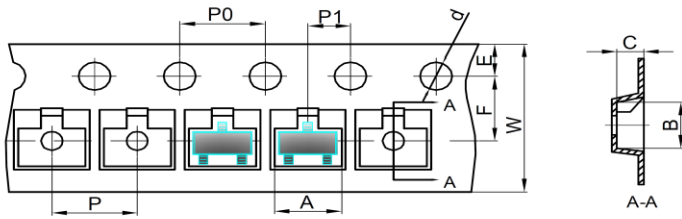


Symbol	Dimensions In Millimeters	
	Min.	Max.
A	0.90	1.15
A1	0.00	0.10
A2	0.90	1.05
b	0.30	0.50
c	0.08	0.15
D	2.80	3.00
E	1.20	1.40
E1	2.25	2.55
e	0.95 REF.	
e1	1.80	2.00
L	0.55 REF.	
L1	0.30	0.50

**SOT-23 Tape and Reel**

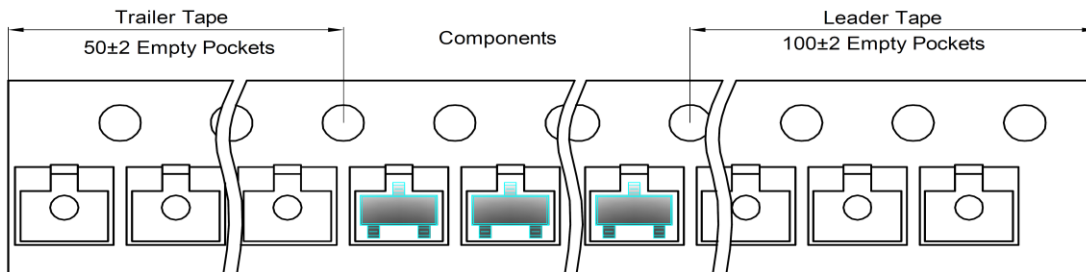
**SOT-23 Tape and reel**

SOT-23 Embossed Carrier Tape

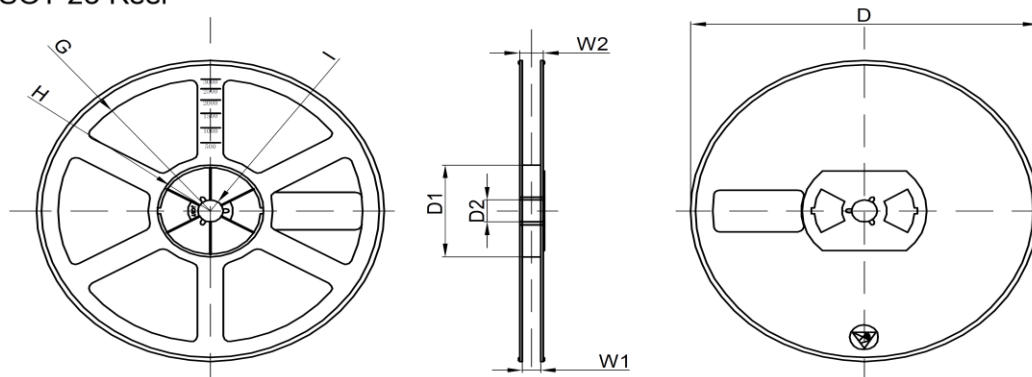


Dimensions are in millimeter										
Pkg type	A	B	C	d	E	F	P0	P	P1	W
SOT-23	3.15	2.77	1.22	Ø1.50	1.75	3.50	4.00	4.00	2.00	8.00

**SOT-23 Tape Leader and Trailer**



**SOT-23 Reel**



Dimensions are in millimeter								
Reel Option	D	D1	D2	G	H	I	W1	W2
7" Dia	Ø178.00	54.40	13.00	R78.00	R25.60	R6.50	9.50	12.30

REEL	Reel Size	Box	Box Size(mm)	Carton	Carton Size(mm)	G.W.(kg)
3000 pcs	7 inch	30,000 pcs	203×203×195	120,000 pcs	438×438×220	

单击下面可查看定价，库存，交付和生命周期等信息

[>>GP\(格瑞宝\)](#)