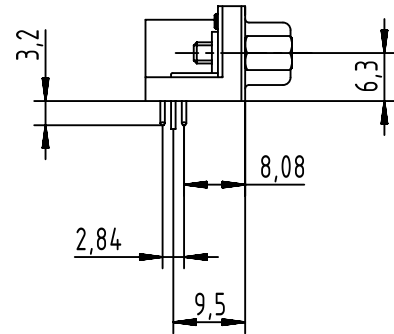
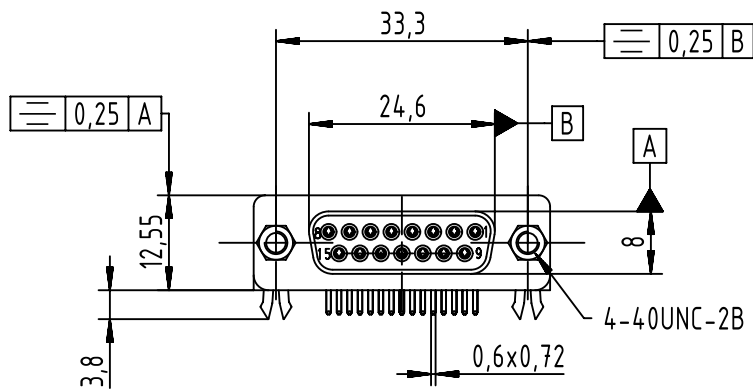
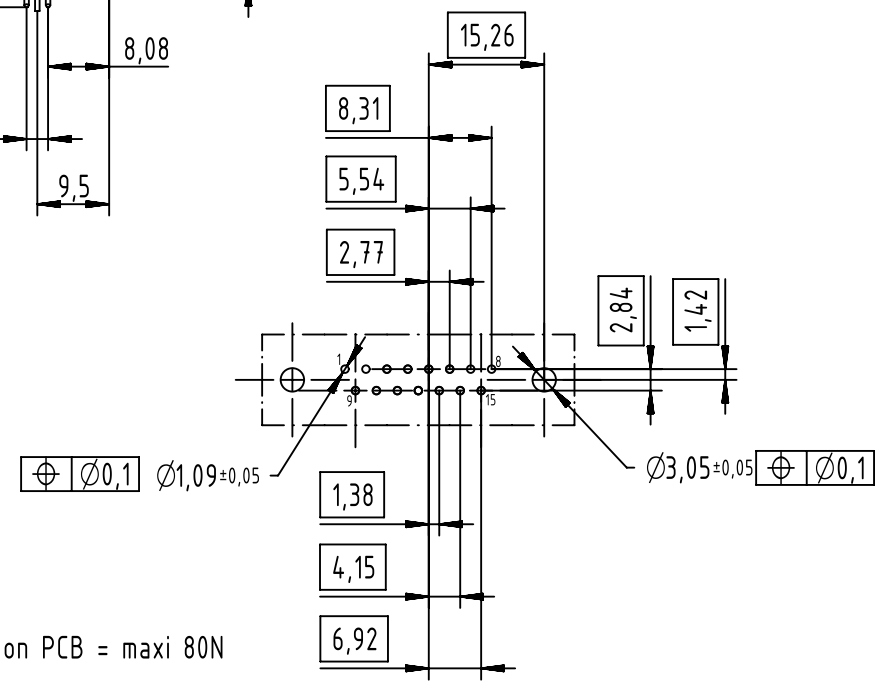
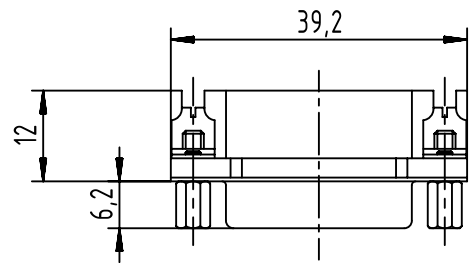


1 2 3 4 5 6

A
B
C
D



PC-Board layout
view component side
thickness 1,6mm



Connector insertion force on PCB = maxi 80N

All Dimensions in mm Original Size DIN A4		Scale 1:1	Free size tol.			Ref.	
09682535613	S4	All rights reserved Department EC PD - FR HARTING Electronics GmbH D-32339 Espelkamp	Created by DOUGE	Inspected by BAGDIKIAN	Standardisation HOFFMANN	Date 2013-12-10	State Final Release
09682537613	PL3		Title D-Sub STD 15P FEM angled board locks				Doc-Key / ECM-Nr. 100539808/UGD/001/B 500000069293
Part number	Performance level		Type TB	Number 0968253X613			Rev. B

单击下面可查看定价，库存，交付和生命周期等信息

[>>HARTING](#)