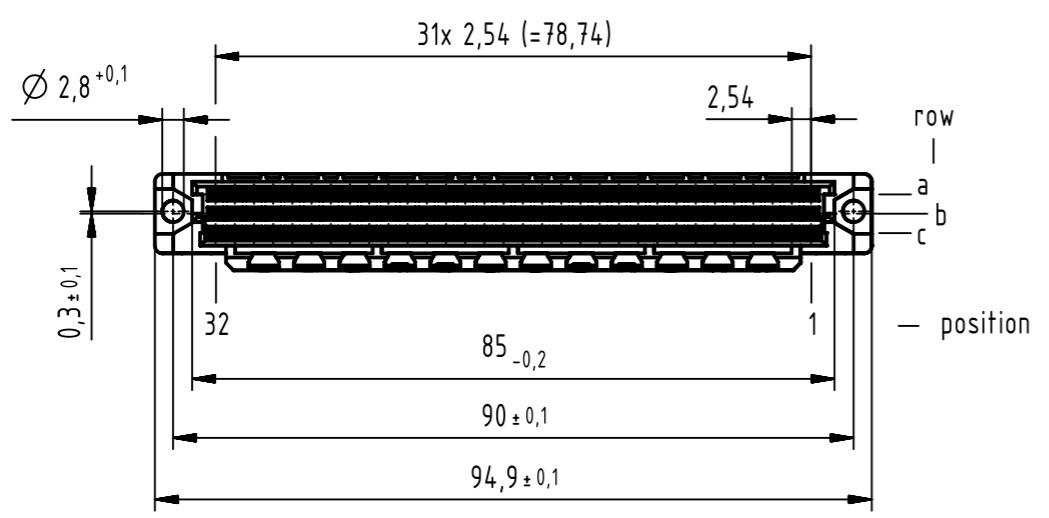
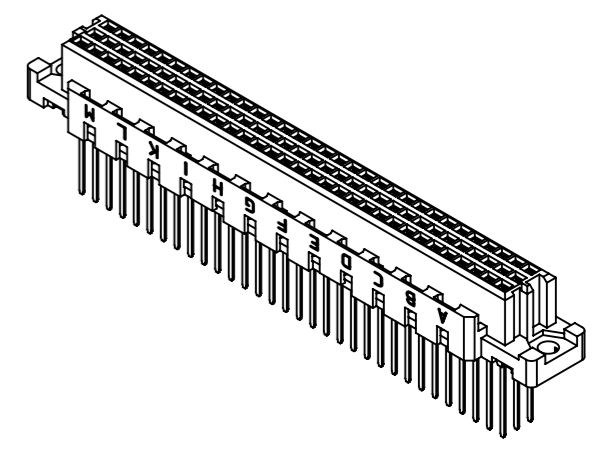
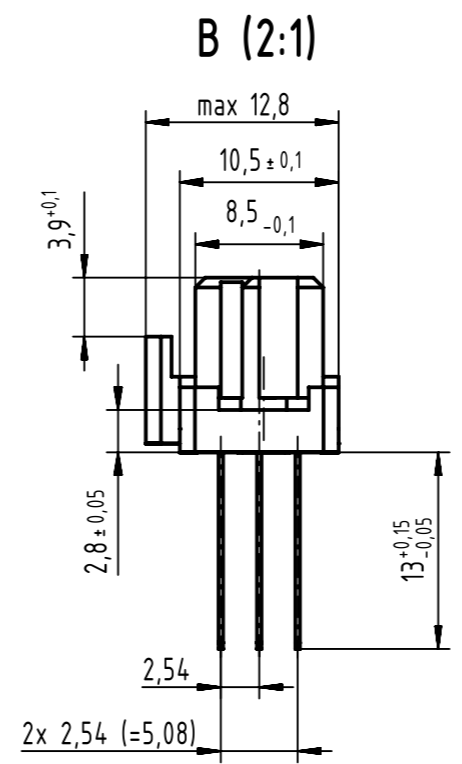
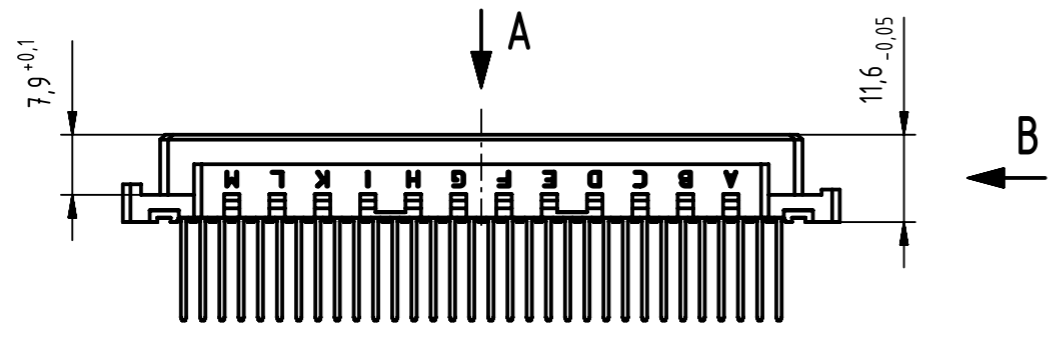


96 solder contacts

☒ = position with contact

☐ = position without contact



① further information see: DS 09032100001

09 03 796 6421	2
part-no	performance level ①

<p>All rights reserved Department EC PD - DE</p> <p>HARTING Electronics GmbH D-32339 Espelkamp</p>	<p>All Dimensions in mm Original Size DIN A3</p>	<p>Scale 1:1</p>	<p>Free size tol. IEC 60603-2</p>	<p>Ref. Sub. TB 0903796X421 / Mod.34650 / 03.09.07</p>
	<p>Created by ZWAHR</p>	<p>Inspected by LEHNERT</p>	<p>Standardisation HOFFMANN</p>	<p>Date 2014-12-11</p>
<p>Title DIN Signal type C female solder with coding 13.0</p>				<p>Doc-Key / ECM-Nr. 100173852/UGD/254/D 50000082368</p>
<p>Type TB</p>		<p>Number 0903796X421</p>		<p>Rev. D</p>
				<p>Page 1/1</p>

单击下面可查看定价，库存，交付和生命周期等信息

[>>HARTING](#)