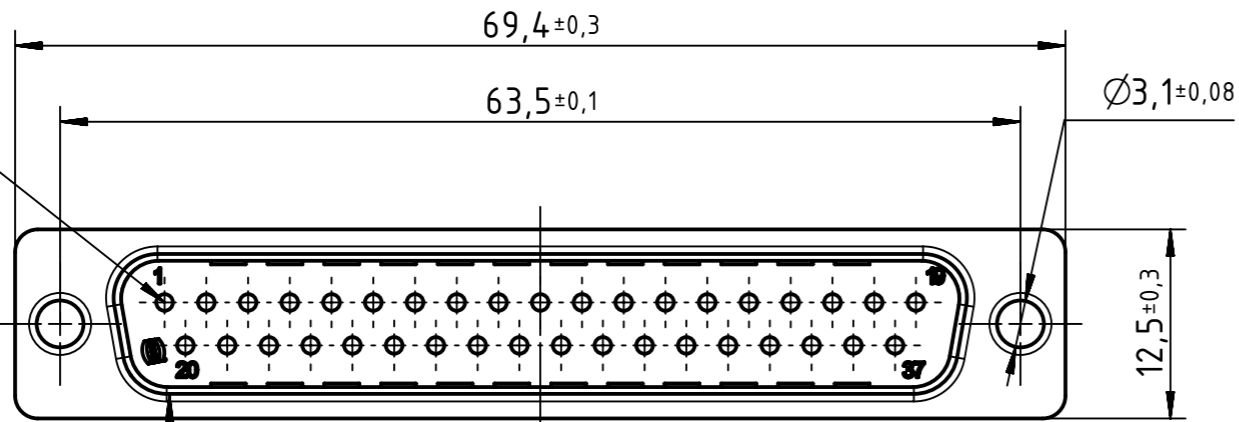
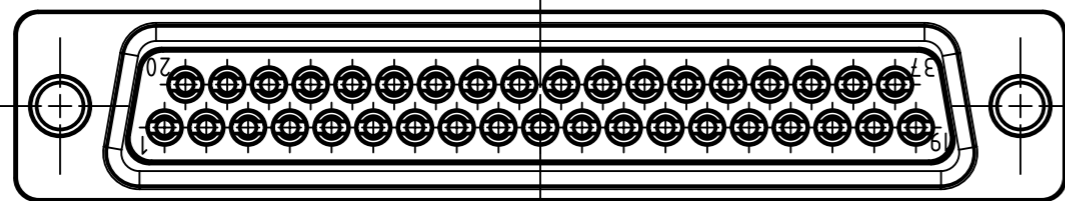
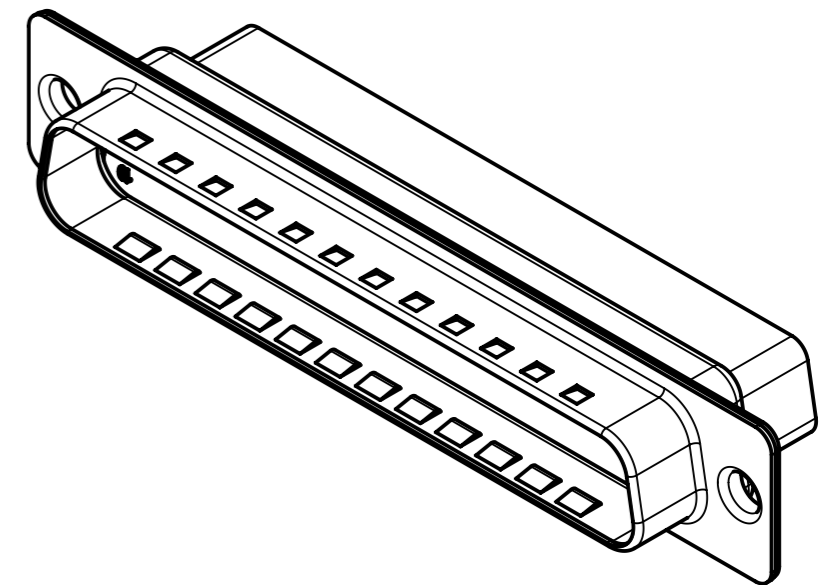
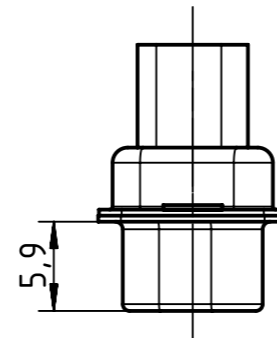
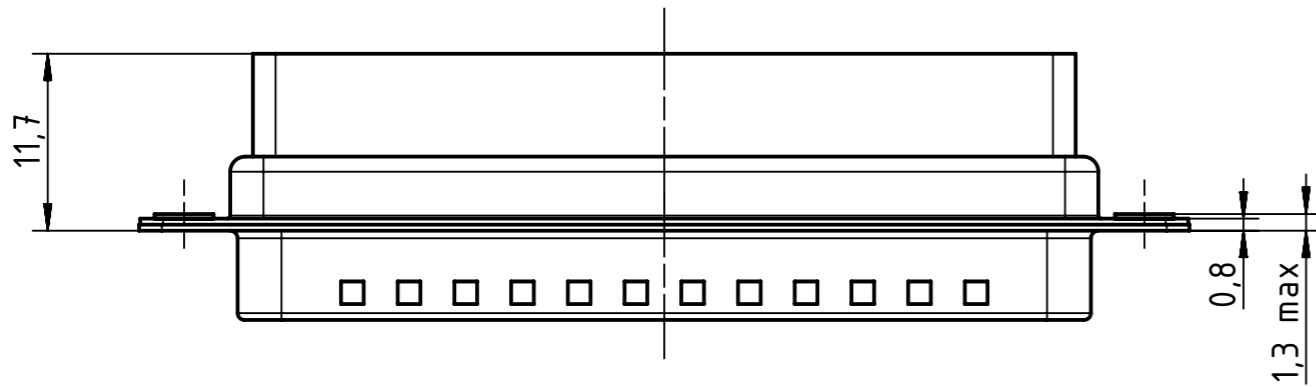
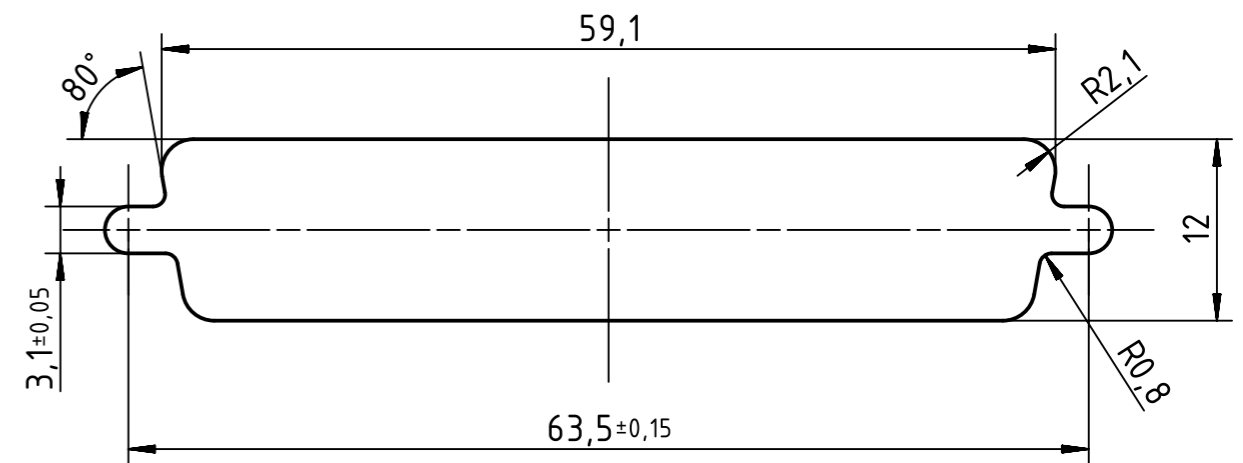


1st contact



Mating face according to CECC 75301-802

Panel cut out



	All rights reserved		Created by SHENGJ		Inspected by WANGSTE		Standardisation HOFFMANN		Date 2014-01-15		State Final Release	
	Department EC PD - CN		Title D-Sub crimp 37-pole male assembly		Type TB		Number 09670375601		Doc-Key / ECM-Nr. 100235538/UGD/001/A 50000065332		Rev. A Page 1/1	
HARTING Electronics GmbH		D-32339 Espelkamp		Scale 2:1		Free size tol.		Ref.		Sub.		

单击下面可查看定价，库存，交付和生命周期等信息

[>>HARTING](#)