

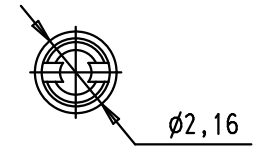
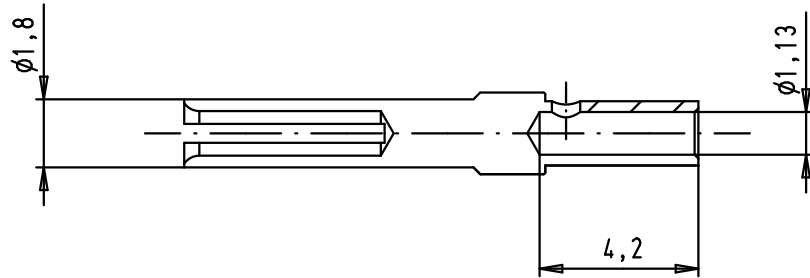
5

4

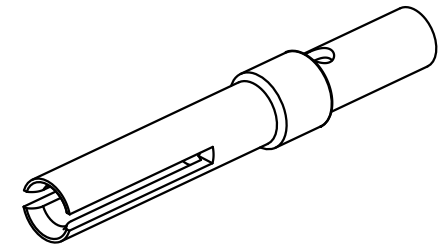
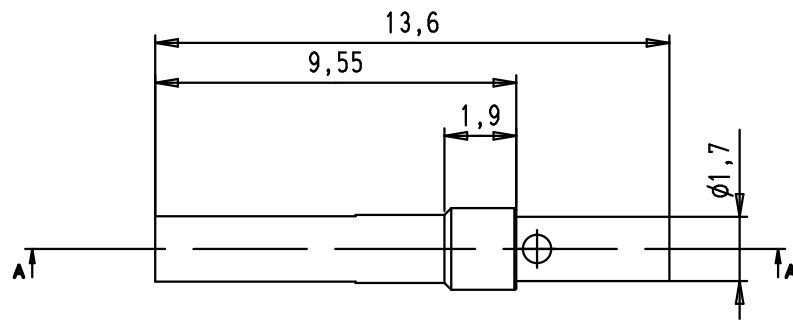
3

2

1



Crimping of AWG 20-24 : hand tool 09 99 000 0501  
and locator 09 99 000 0531



A

						Dat.		Name		 All Dim. in mm Orig. Size DIN A 4	D-Sub	AWG 20-24	Maßstab/ Scale
						Detail.		LP			female turned crimp contact	5/1	
						Insp.		JB					
5000	09 67 000 8476 580	PL1	EC04018	07/11/11	SD	Stand.				 HARTING EURL F-95972 Paris	TB09 67 000 847x	Blatt/ Page	
100	09 67 000 8476	PL1	EC01739	29apr2010	LP						Sub.	1/1	
Bulk packaging	Part number	Gold plating	EC01656	12apr2010	LP								

单击下面可查看定价，库存，交付和生命周期等信息

[>>HARTING](#)