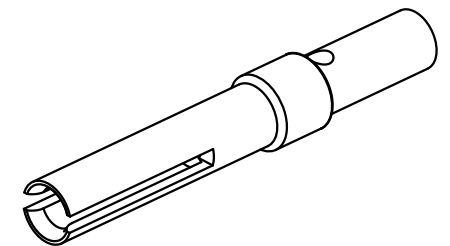
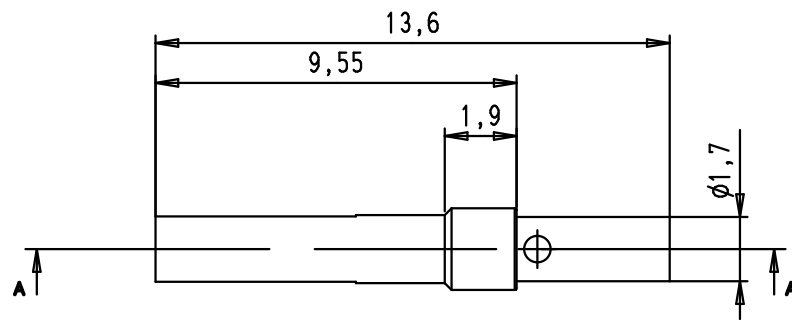


Crimping of AWG 22-26 : hand tool 09 99 000 0501
and locator 09 99 000 0531



A

5000	09 67 000 5476 580	PL1
100	09 67 000 5476	PL1
Bulk packaging	Part number	Gold plating

EC04018	07/11/11	SD		
EC01739	29apr2010	LP		
EC01656	12apr2010	LP		
			Name	

	Det.	Name
Detail.	12apr2010	LP
Insp.	07/11/11	JB
Stand.		
HARTING EURL F-95972 Paris		



D-Sub	AWG 22-26
female turned crimp contact	
TB09 67 000 547x	
Sub.	

Maßstab/ Scale	5/1
Blatt/ Page	1/1

单击下面可查看定价，库存，交付和生命周期等信息

[>>HARTING](#)