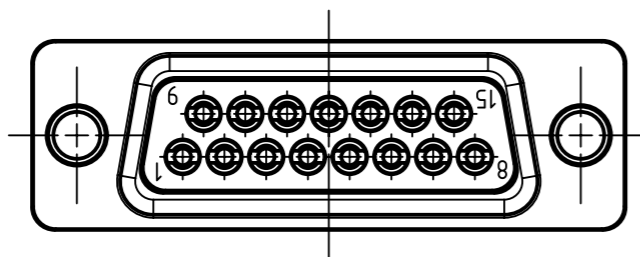
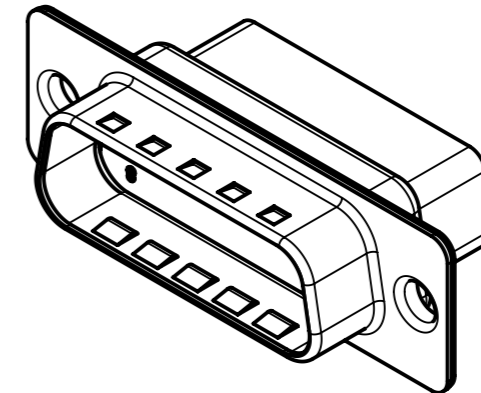
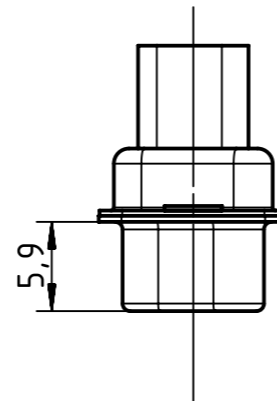
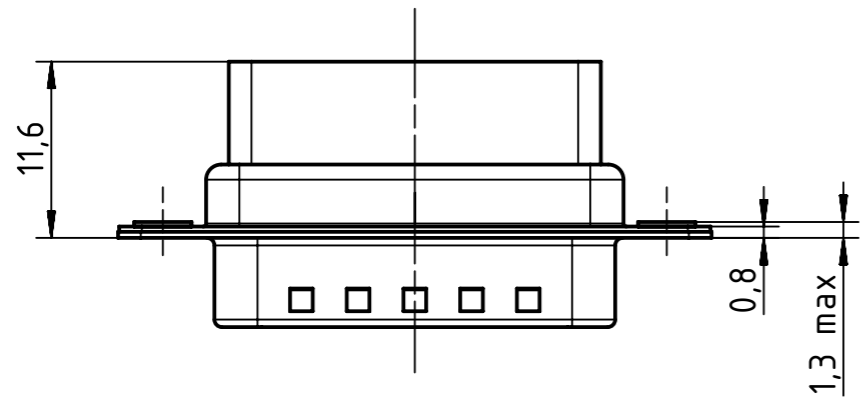
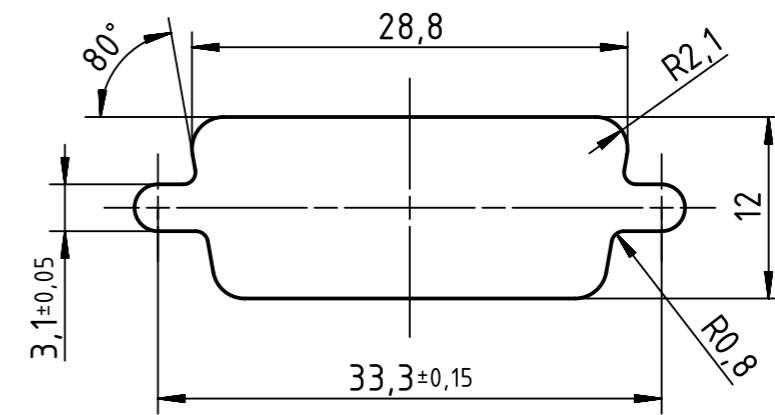


Panel cut out



	All rights reserved Department EC PD - CN	All Dimensions in mm Original Size DIN A3		Scale 2:1	Free size tol.	Ref. Sub.
		HARTING Electronics GmbH D-32339 Espelkamp	Created by SHENGJ	Inspected by WANGSTE	Standardisation HOFFMANN	Date 2014-01-15
		Title D-Sub crimp 15-pole male assembly				Doc-Key / ECM-Nr. 100235540/UGD/001/A 50000065332
		Type TB	Number 09670155601			Rev. A
						Page 1/1

单击下面可查看定价，库存，交付和生命周期等信息

[>>HARTING](#)